



US00D837662S

(12) **United States Design Patent**  
**Bonati**

(10) **Patent No.:** **US D837,662 S**

(45) **Date of Patent:** **\*\* Jan. 8, 2019**

(54) **WATCH BRACELET**

(71) Applicant: **OFFICINE PANERAI AG,**  
Steinhausen (CH)

(72) Inventor: **Angelo Bonati,** Milan (IT)

(73) Assignee: **OFFICINE PANERAI AG,**  
Steinhausen (CH)

(\*\*) Term: **15 Years**

(21) Appl. No.: **35/502,955**

(22) Filed: **Nov. 10, 2016**

(80) **Hague Agreement Data**

Int. Filing Date: **Nov. 10, 2016**

Int. Reg. No.: **DM/093647**

Int. Reg. Date: **Nov. 10, 2016**

Int. Reg. Pub. Date: **May 12, 2017**

(51) **LOC (11) Cl.** ..... **10-02**

(52) **U.S. Cl.**

USPC ..... **D10/32; D11/3**

(58) **Field of Classification Search**

USPC ..... **D10/30, 31, 32, 38; D11/2-10, 19-33,**  
**D11/79-85**

CPC .. **A44C 5/00; A44C 5/061; A44C 5/02; A44C**  
**5/2071; A44C 5/0084**

See application file for complete search history.

(56) **References Cited**

**U.S. PATENT DOCUMENTS**

- 2,276,604 A \* 3/1942 Wood ..... A44C 5/02  
24/587.11
- D142,908 S \* 11/1945 Rossein ..... D11/15
- D155,768 S \* 11/1949 Austin ..... D10/32
- 2,518,163 A \* 8/1950 Megar ..... A44C 5/102  
59/80
- D236,592 S \* 9/1975 Portmann ..... D10/32
- D241,630 S \* 9/1976 Burke et al. .... D10/32
- D255,023 S \* 5/1980 Hofman ..... D11/12
- D296,881 S \* 7/1988 Wagner ..... D11/14

- D341,785 S \* 11/1993 Chodat ..... D10/30
- D413,273 S \* 8/1999 Hartzband ..... D10/32
- D415,060 S \* 10/1999 Chodat ..... D11/15
- D433,639 S \* 11/2000 Bodino ..... D10/32
- D433,955 S \* 11/2000 Bodino ..... D11/15
- D440,887 S \* 4/2001 Tripet ..... D10/32
- D443,843 S \* 6/2001 Schopfer ..... D11/3
- D447,961 S \* 9/2001 Strasser ..... D10/32
- D469,377 S \* 1/2003 Lee ..... D11/87

(Continued)

**FOREIGN PATENT DOCUMENTS**

EM DM/046 683 2/1999

**OTHER PUBLICATIONS**

Panerai Luminor Marina Stainless Steel Automatic, item VPN9700153, manufacturer's reference No. PAM00051, circa 2003, www.tourneau.com.\*

(Continued)

*Primary Examiner* — Elizabeth A. Albert

(74) *Attorney, Agent, or Firm* — Fross Zelnick Lehrman & Zissu, P.C.; Charles T. J. Weigell, Esq.

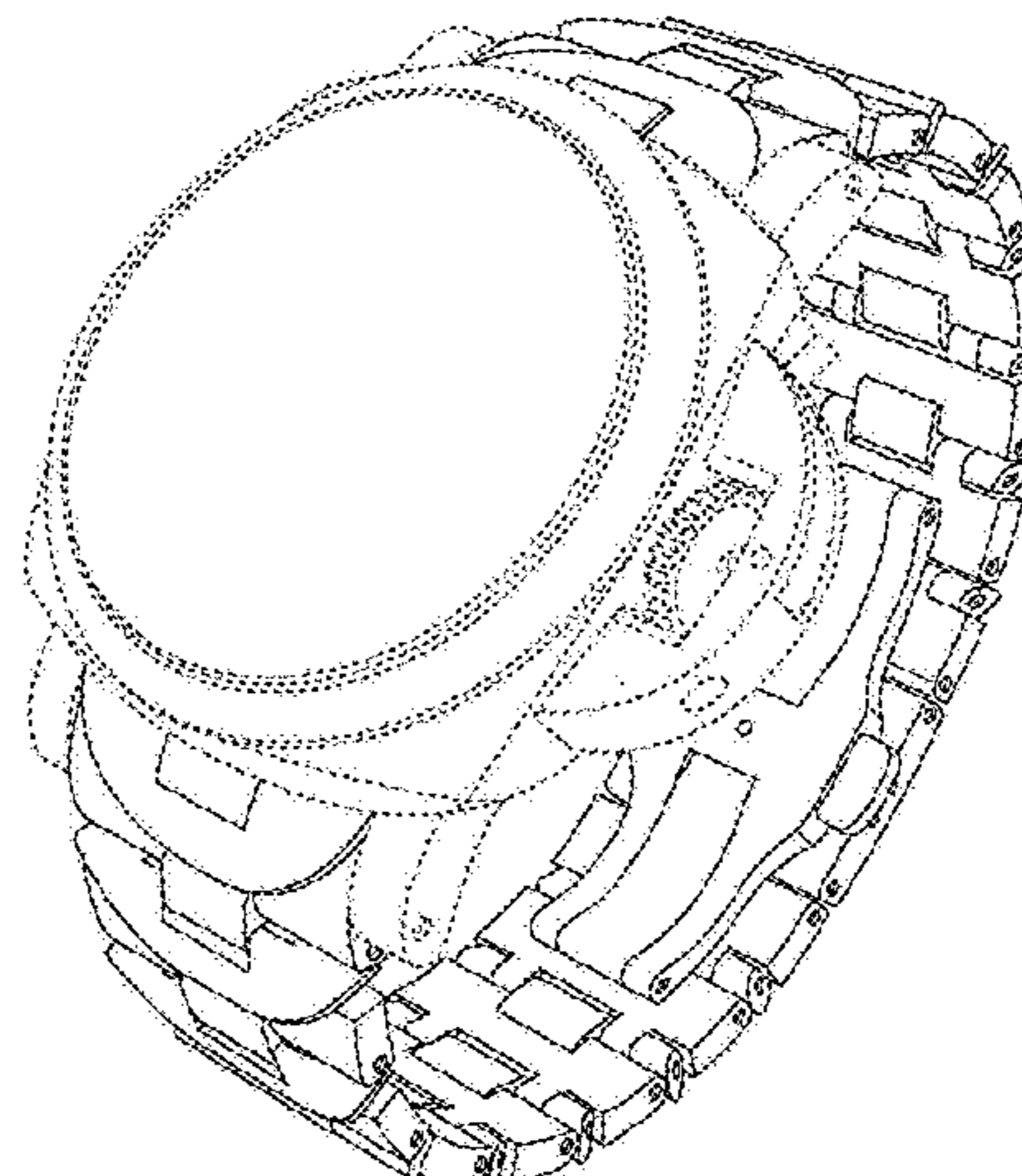
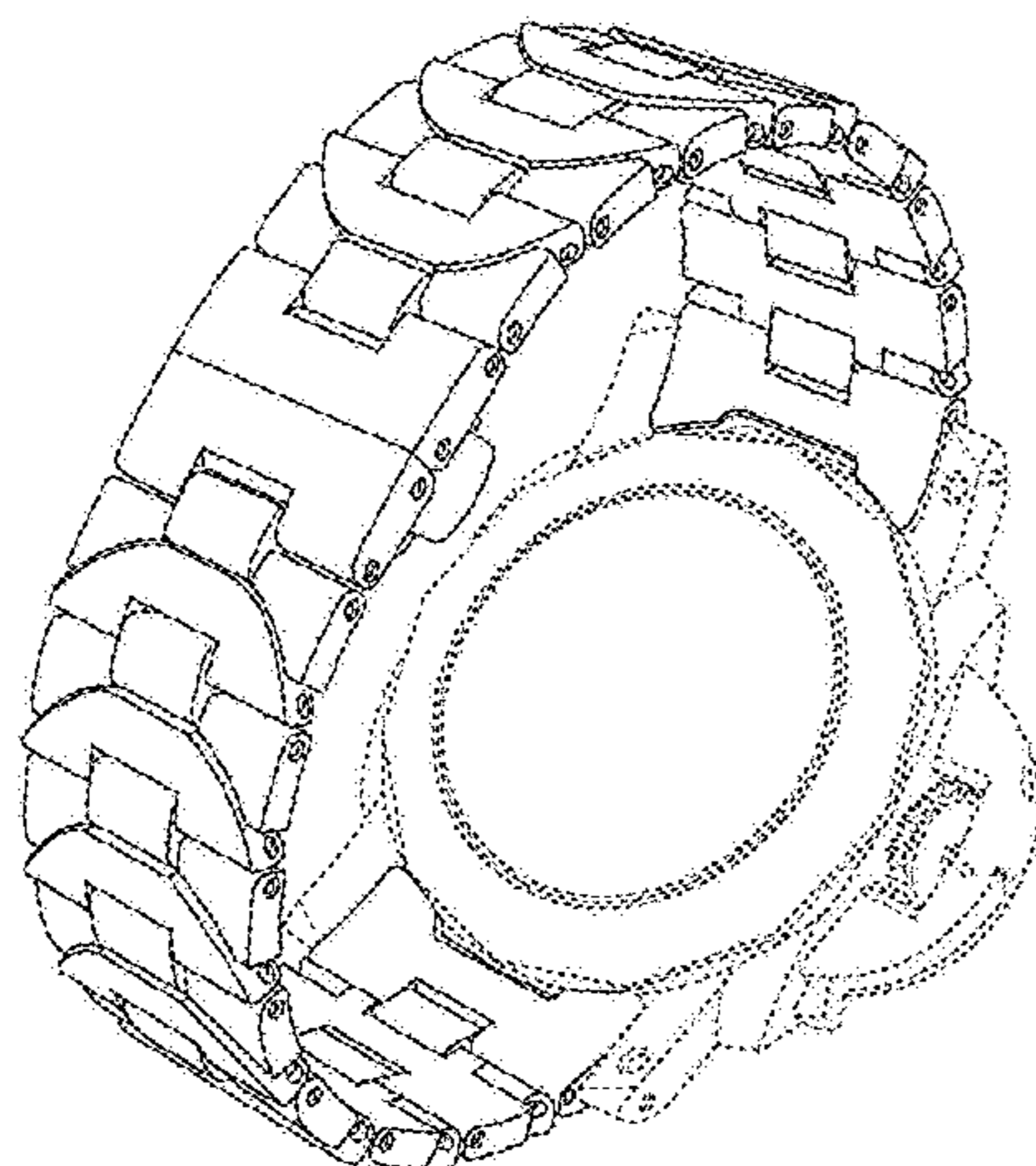
(57) **CLAIM**

The ornamental design for a watch bracelet, as shown and described.

**DESCRIPTION**

- 1. Watch bracelet
- 1.1** is a top view of a watch bracelet showing my new design;
- 1.2** is a left side view thereof;
- 1.3** is bottom view thereof;
- 1.4** is a front, front view thereof;
- 1.5** is a bottom perspective view thereof;
- 1.6** is a side view with open clasp thereof;
- 1.7** is a right view thereof;
- 1.8** is a perspective view thereof; and
- 1.9** is a bottom view with open clasp thereof.

**1 Claim, 9 Drawing Sheets**



(56)

**References Cited**

U.S. PATENT DOCUMENTS

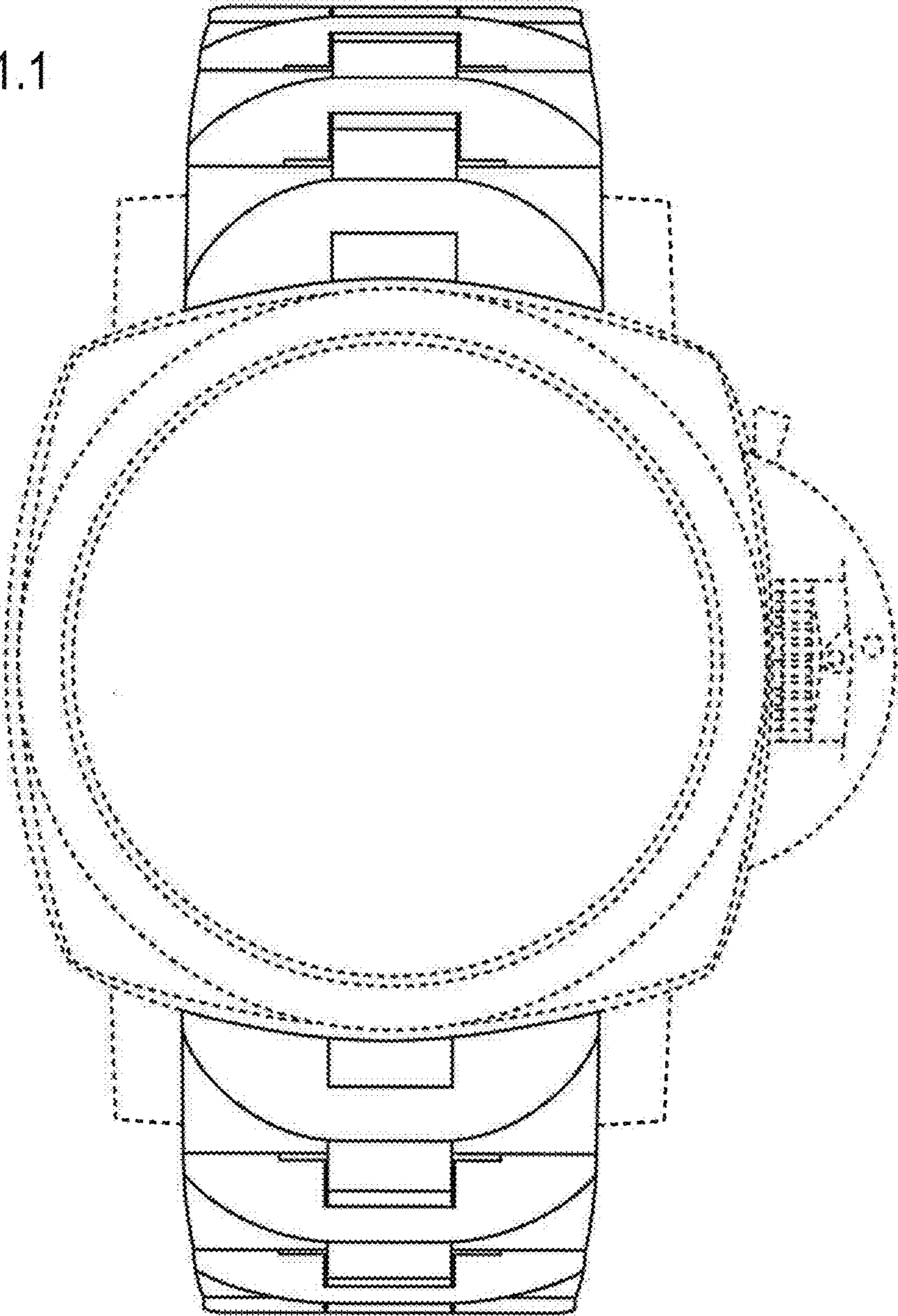
D513,389 S \* 1/2006 Vigneron ..... D10/32  
D598,302 S \* 8/2009 Moritz ..... D10/32  
D759,505 S \* 6/2016 Harada ..... D10/32  
9,591,899 B2 \* 3/2017 Catanese ..... A44B 11/226  
2016/0044998 A1 \* 2/2016 Suzuki ..... A44C 5/0061  
428/649  
2016/0094259 A1 \* 3/2016 Hatanaka ..... H04B 1/385  
455/90.2

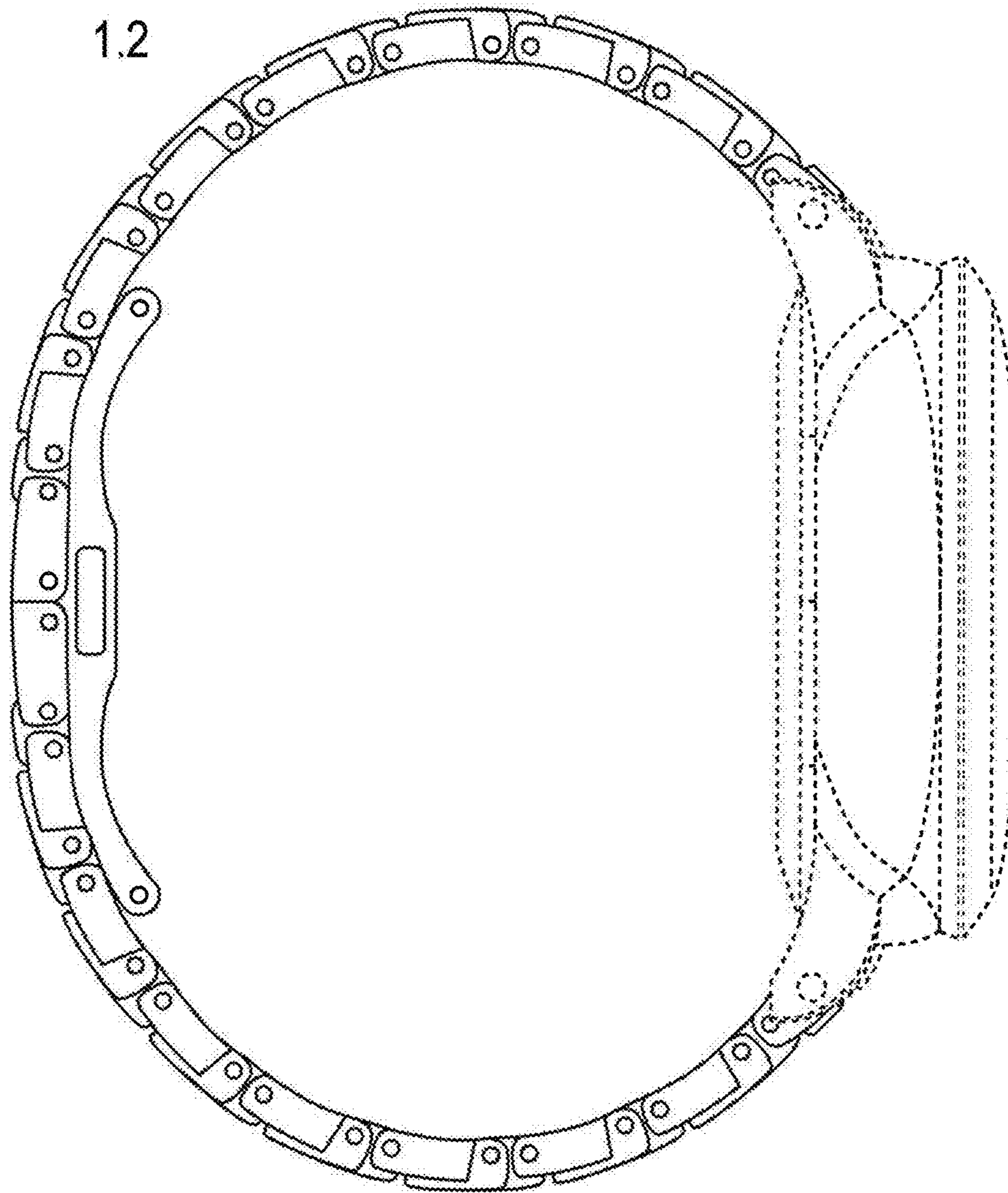
OTHER PUBLICATIONS

Officine Panerai AG, "Panerai Luminor Marina" watch model PAM00051.

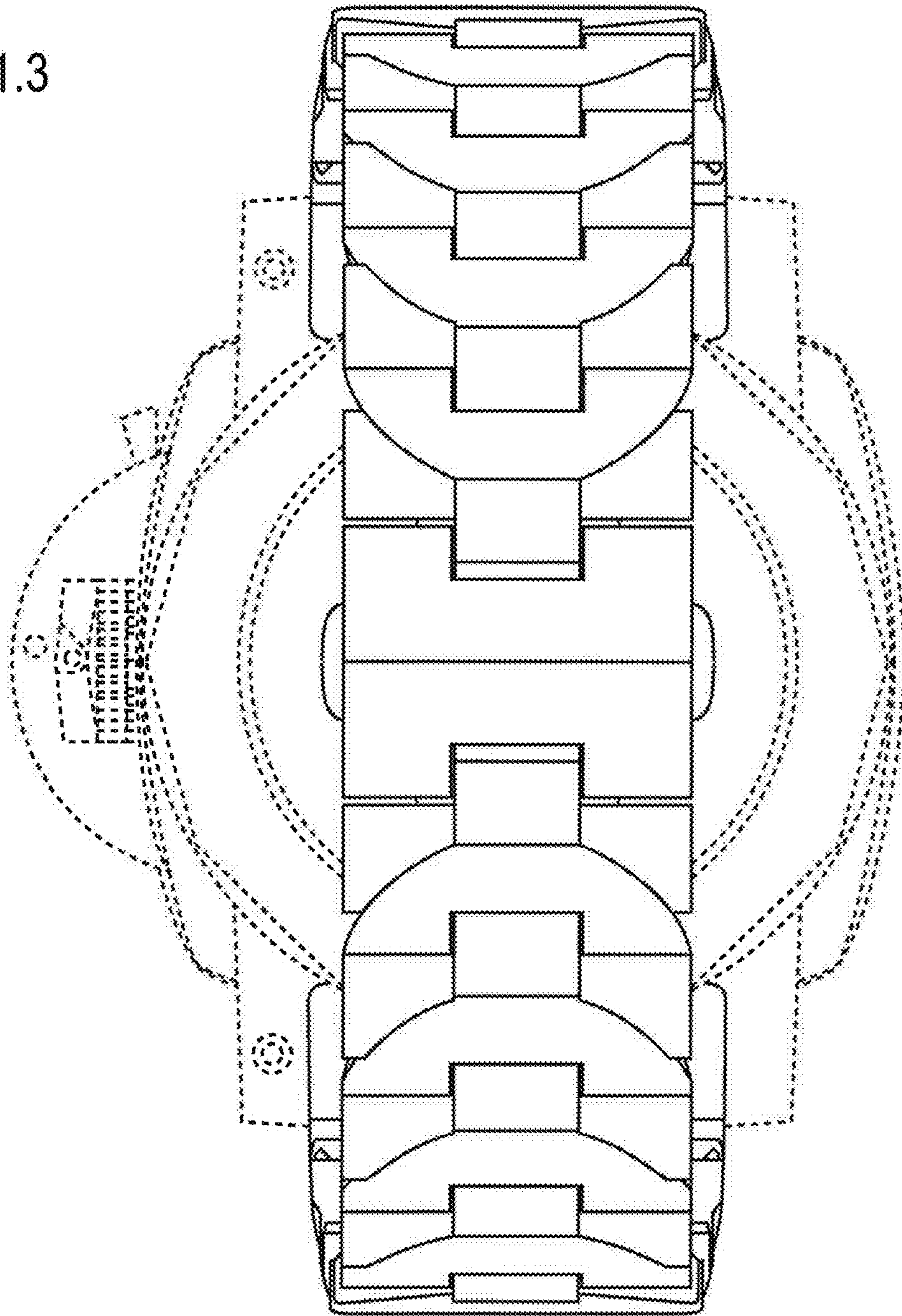
\* cited by examiner

1.1

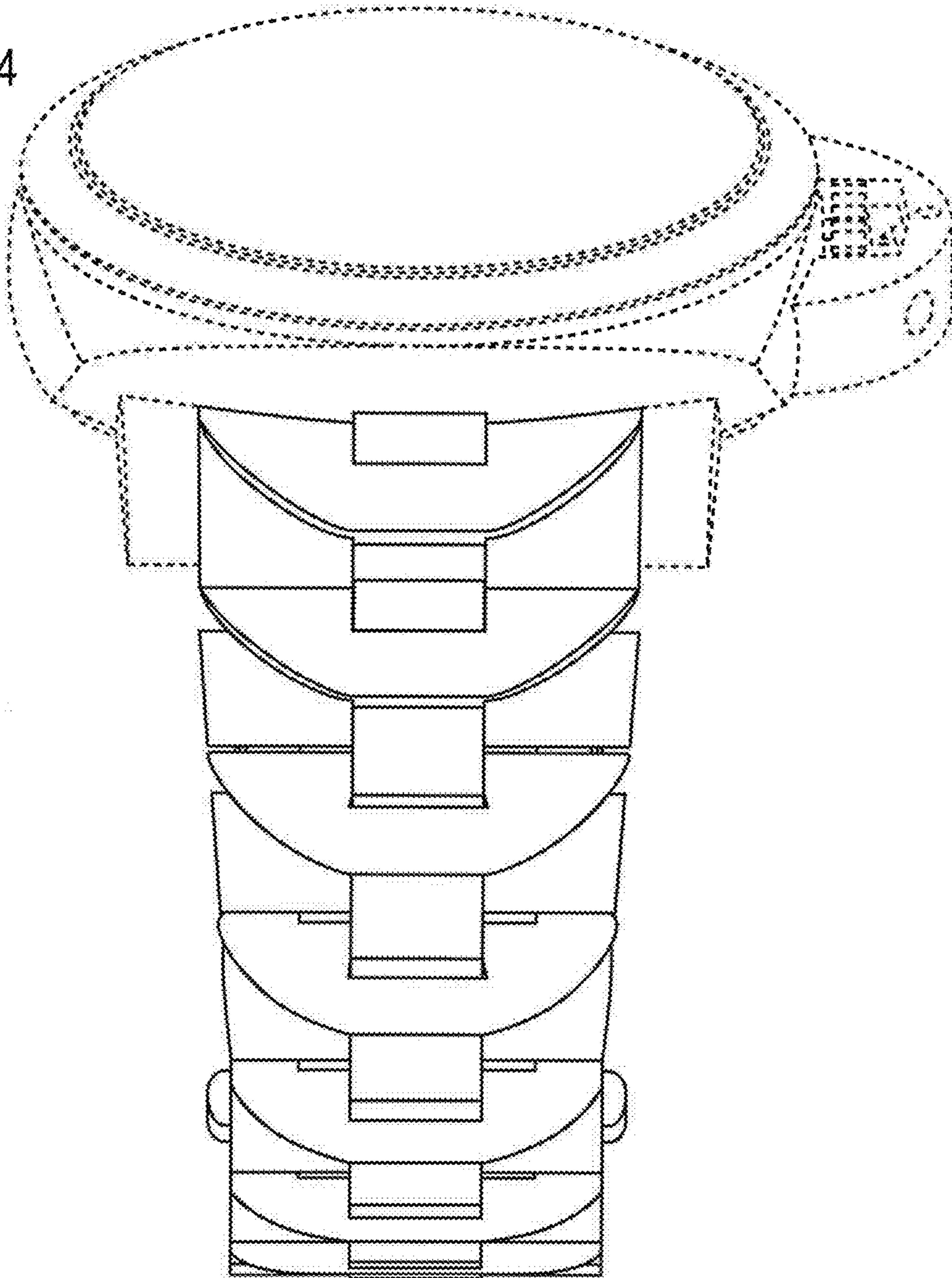




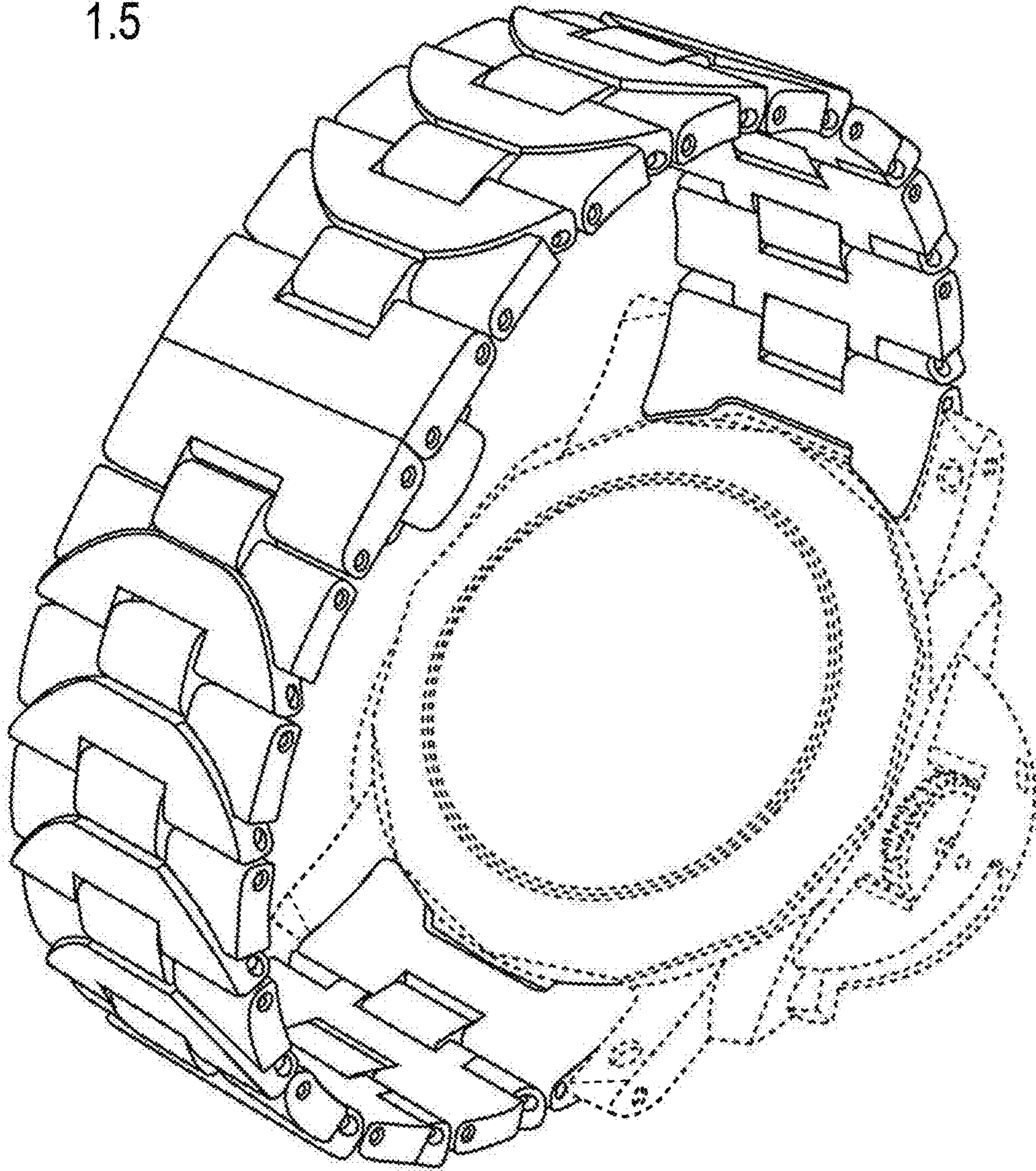
1.3

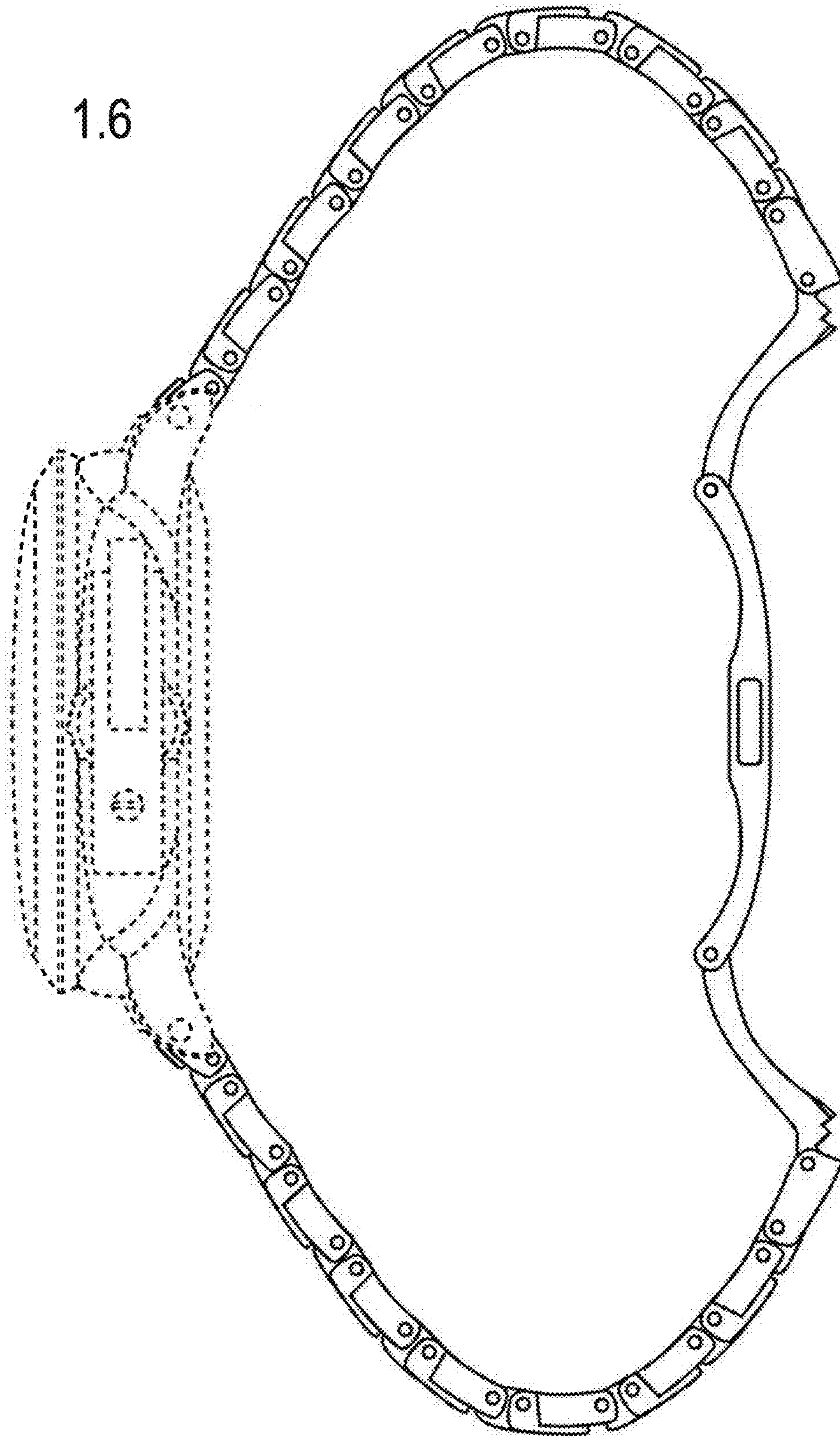


1.4



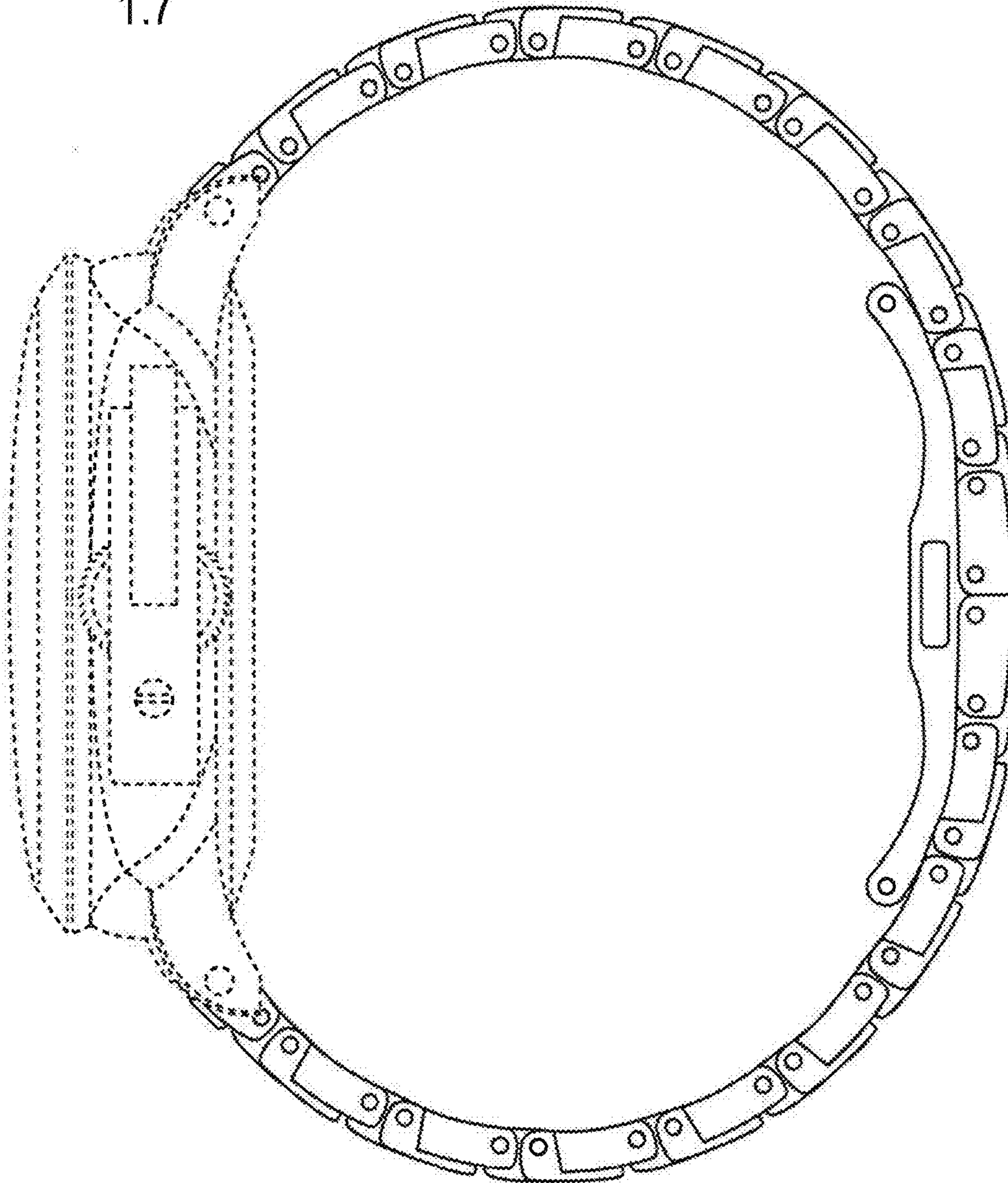
1.5



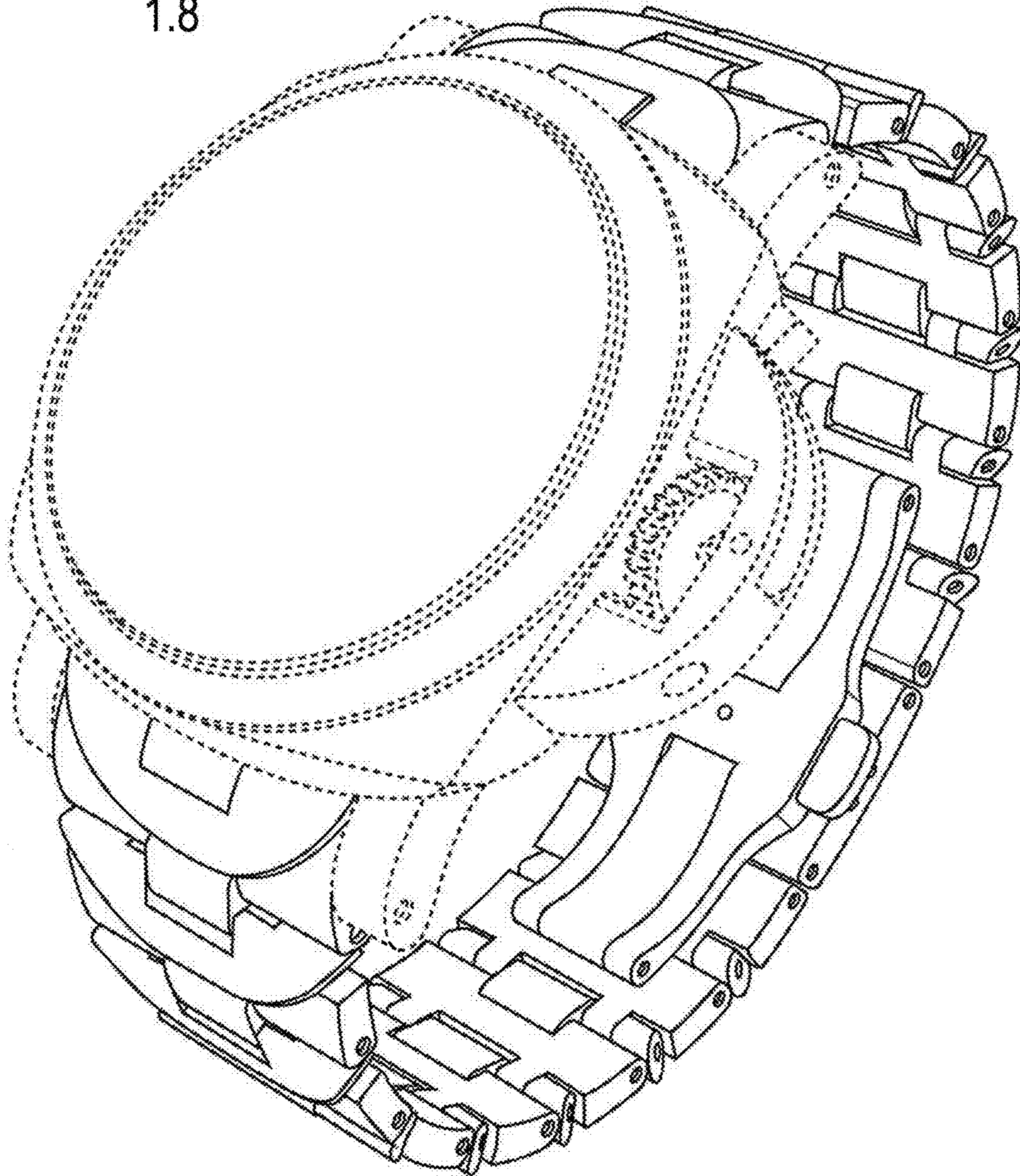




1.7



1.8



1.9

