



US00D837656S

(12) **United States Design Patent**
Mora

(10) **Patent No.:** **US D837,656 S**

(45) **Date of Patent:** **** Jan. 8, 2019**

(54) **BOTTLE**

(71) Applicant: **Société des Produits Nestlé S.A.**,
Vevey (CH)

(72) Inventor: **Robert E. Mora**, Columbus, OH (US)

(73) Assignee: **Société des Produits Nestlé S.A.**,
Vevey (CH)

(**) Term: **15 Years**

(21) Appl. No.: **29/594,037**

(22) Filed: **Feb. 15, 2017**

(30) **Foreign Application Priority Data**

Sep. 2, 2016 (CH) 142567

(51) **LOC (11) Cl.** **09-01**

(52) **U.S. Cl.**
USPC **D9/537**; D9/556; D9/551

(58) **Field of Classification Search**

USPC D9/522, 530, 531, 543, 549, 558, 564,
D9/565, 569, 572, 573; 215/40, 44, 200,
215/381-384, 396; 220/288, 662, 669,
220/675, 752, 755, 771; 222/189, 209;
426/115
CPC B65D 1/02; B65D 1/0223; B65D 1/0246;
B65D 5/46; B65D 41/00; B65D 41/02;
B65D 41/04; B65D 2501/00; B65D
2501/0009

See application file for complete search history.

(56) **References Cited**

U.S. PATENT DOCUMENTS

D543,116 S * 5/2007 Heisner D9/540
D547,664 S * 7/2007 Davis D9/538

D552,477 S * 10/2007 Hermel D9/516
D561,037 S * 2/2008 Boon D9/539
D564,889 S * 3/2008 Boon D9/539
D568,751 S * 5/2008 Boon D9/539
D581,285 S * 11/2008 Lepoitevin D9/520
D583,245 S * 12/2008 Lepoitevin D9/520
D606,879 S * 12/2009 Nelson D9/541

* cited by examiner

Primary Examiner — Derrick E Holland

Assistant Examiner — Janice Patyk

(74) *Attorney, Agent, or Firm* — Finnegan, Henderson,
Farabow, Garrett & Dunner LLP

(57) **CLAIM**

The ornamental design for a bottle, as shown and described.

DESCRIPTION

FIG. 1 is a top, left perspective view of a bottle showing my new design;

FIG. 2 is a front elevation view thereof;

FIG. 3 is a rear elevation view thereof;

FIG. 4 is a right side view thereof;

FIG. 5 is a left side view thereof;

FIG. 6 is a top plan view thereof; and,

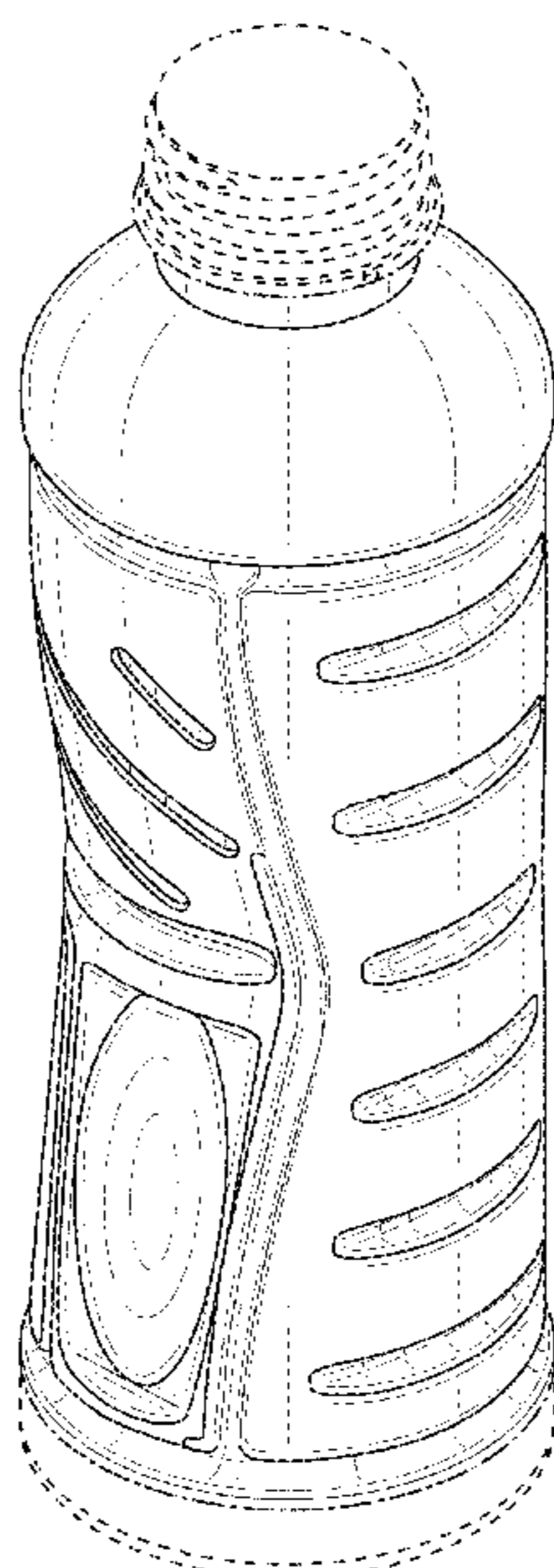
FIG. 7 is a bottom plan view thereof.

The dot-dash broken lines immediately adjacent to the claimed areas in the views represent the boundaries of the design and form no part thereof.

The broken lines in the figures illustrate the portions of the design that form no part of the claimed design.

None of the broken lines form any part of the claimed design.

1 Claim, 7 Drawing Sheets



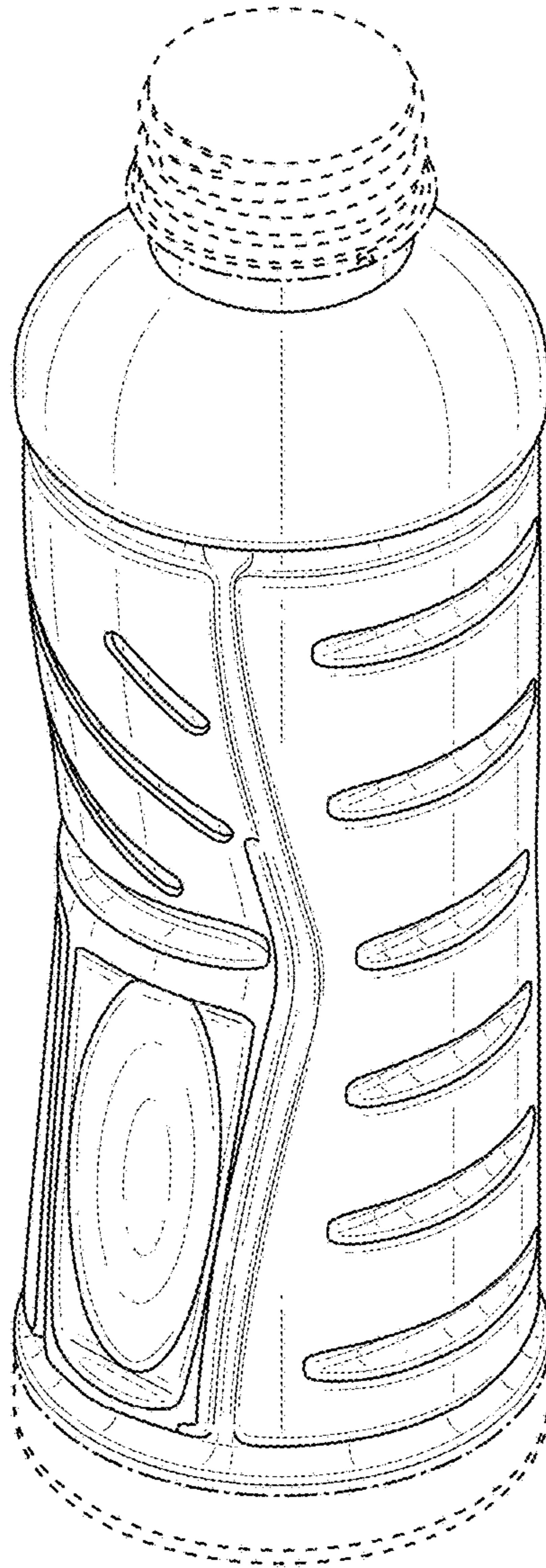


FIG. 1

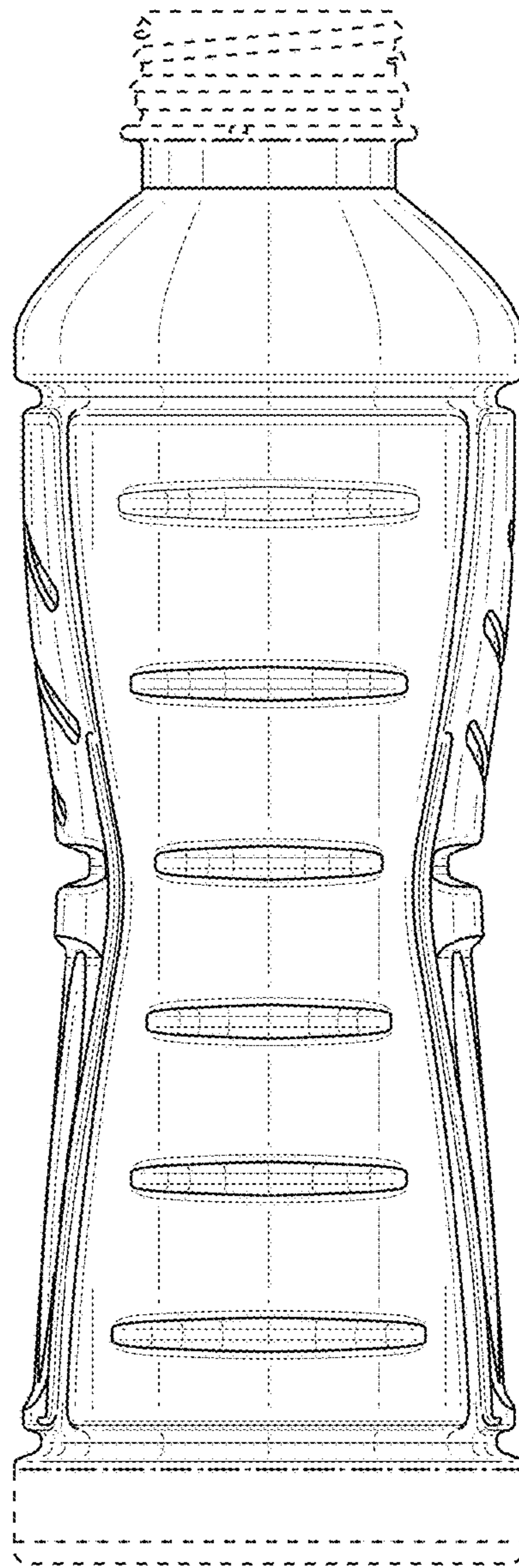


FIG. 2

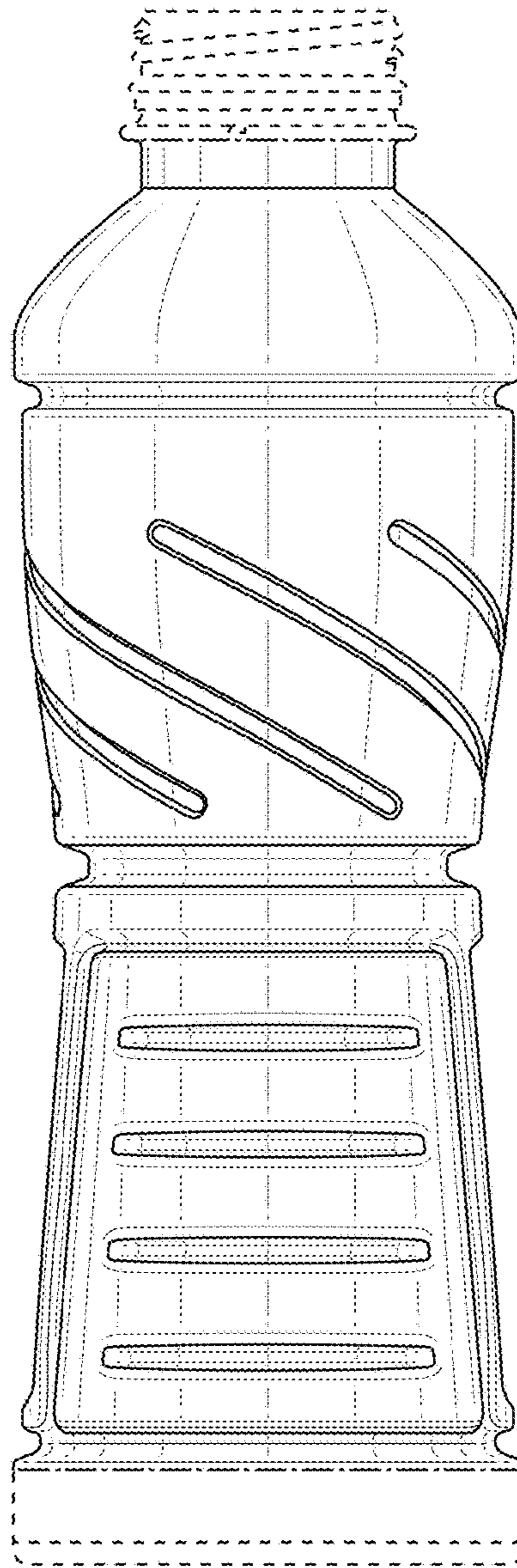


FIG. 3

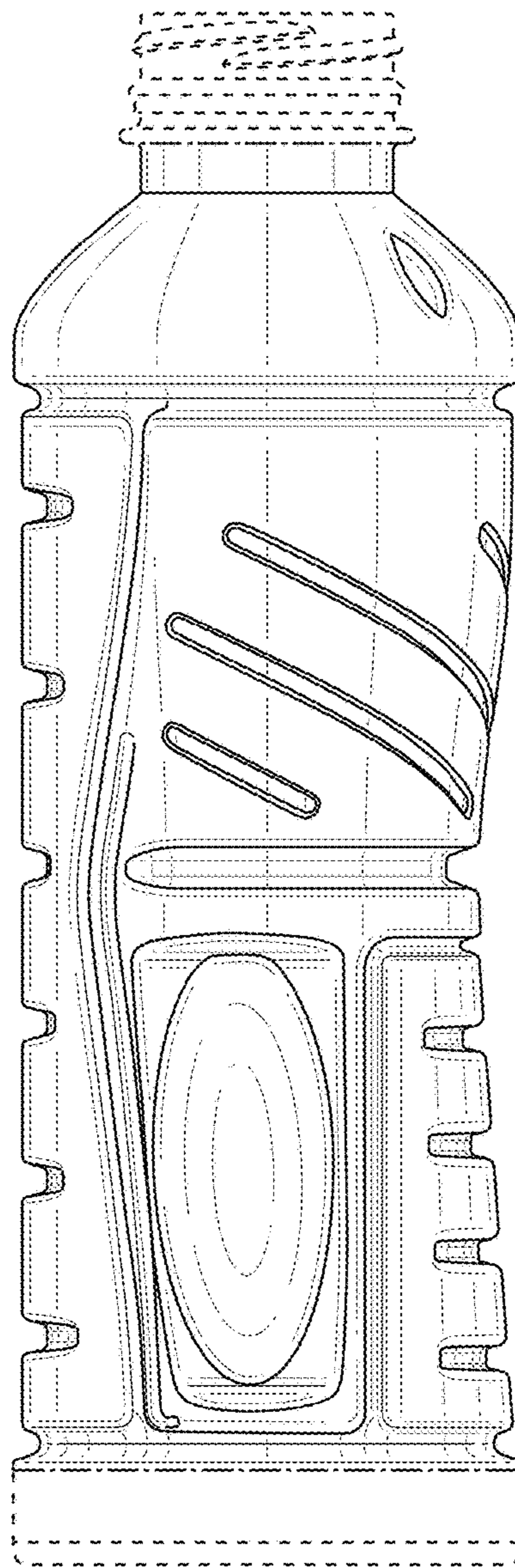


FIG. 4

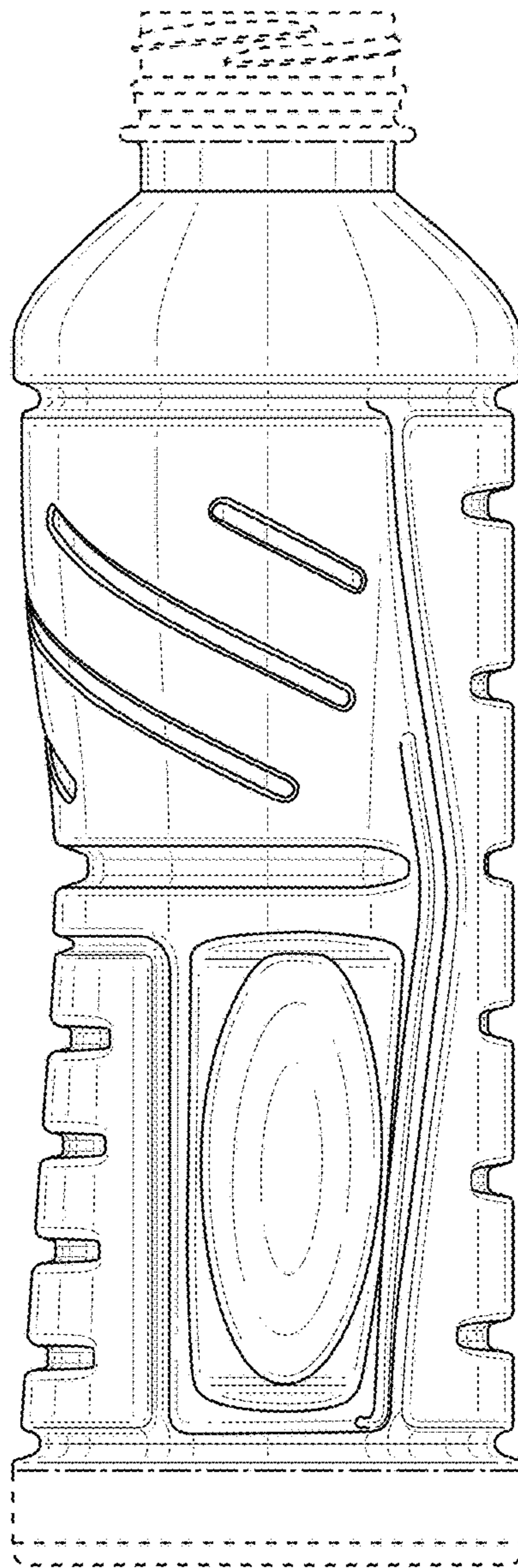


FIG. 5

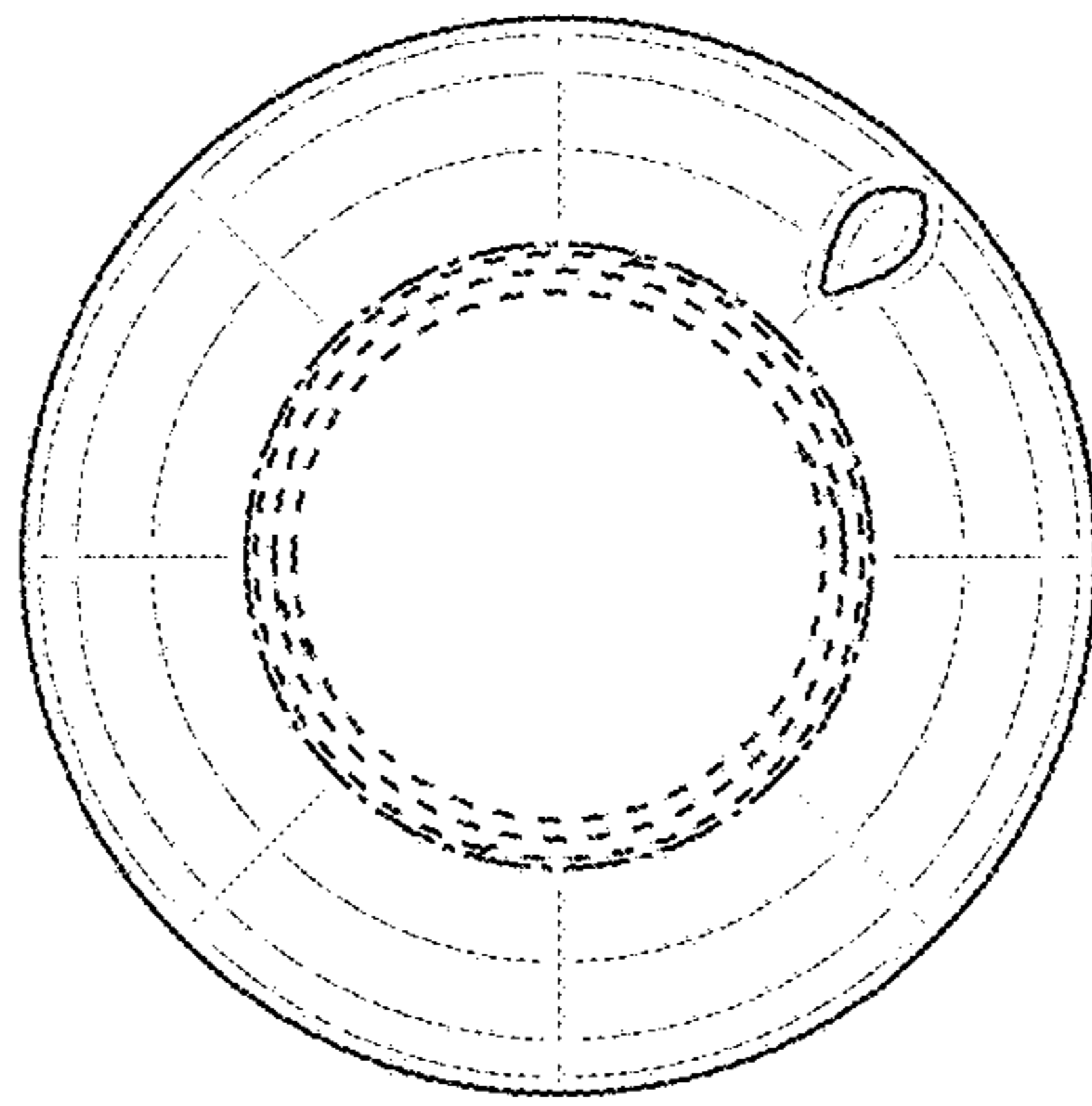


FIG. 6

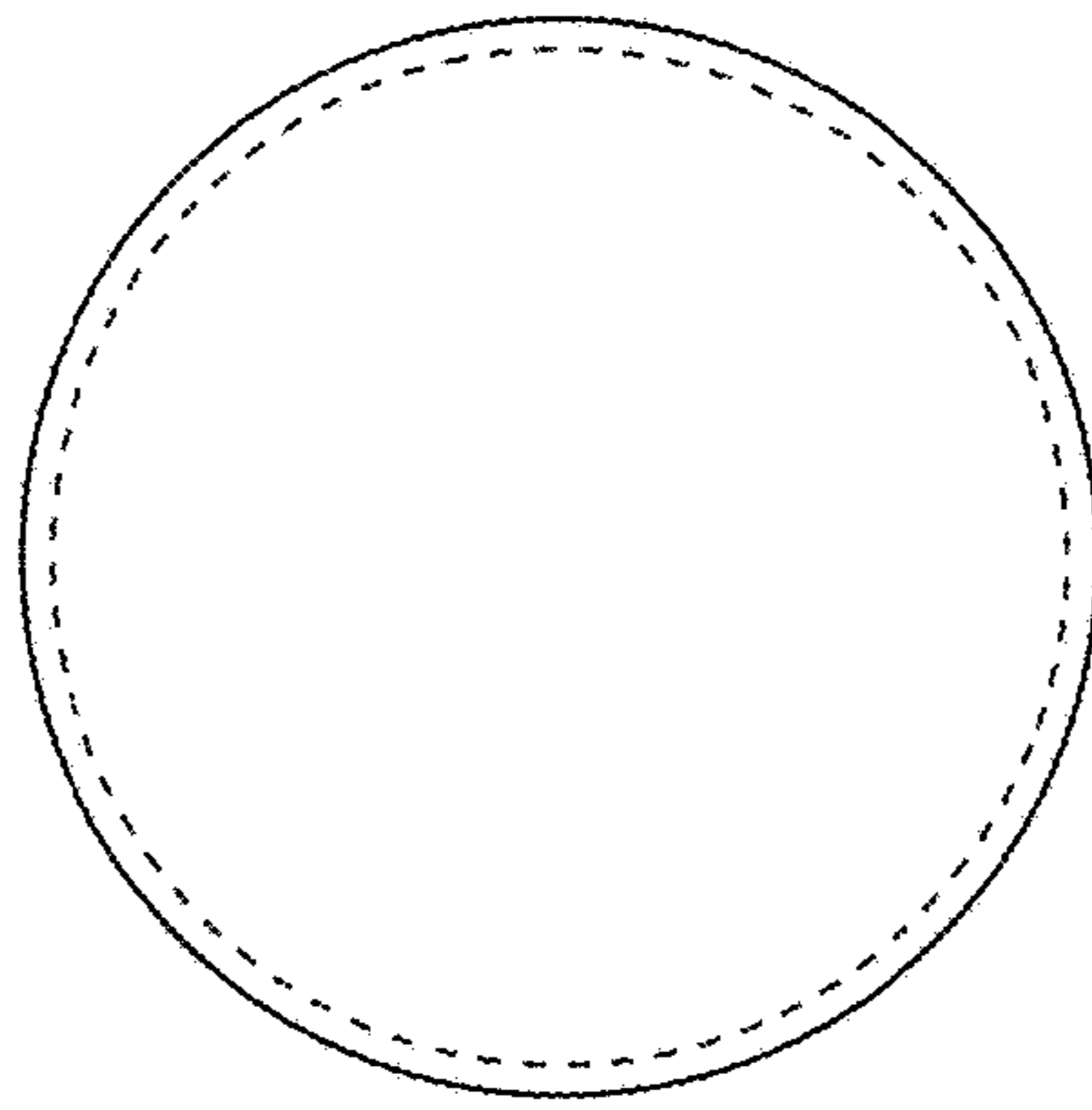


FIG. 7

UNITED STATES PATENT AND TRADEMARK OFFICE
CERTIFICATE OF CORRECTION

PATENT NO. : D837,656 S
APPLICATION NO. : 29/594037
DATED : January 8, 2019
INVENTOR(S) : Robert E. Mora

Page 1 of 1

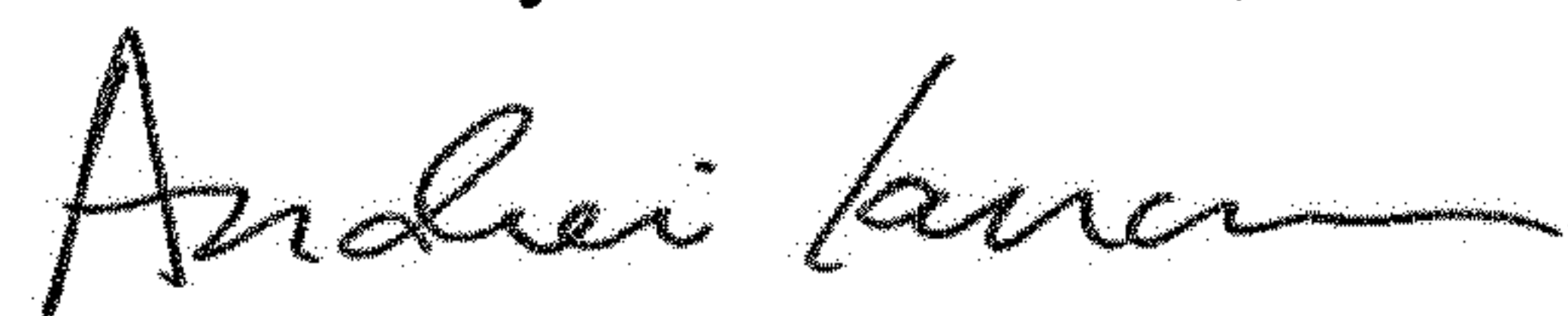
It is certified that error appears in the above-identified patent and that said Letters Patent is hereby corrected as shown below:

On the Title Page

Inventor information in item (72) should read as follows:

(72) Inventors: **Robert E. Mora**, Columbus, OH (US);
Sheldon Yourist, York, PA (US);
Ray Pritchett, Mount Wolf, PA (US)

Signed and Sealed this
Tenth Day of November, 2020



Andrei Iancu
Director of the United States Patent and Trademark Office