



US00D837655S

(12) **United States Design Patent**  
**Moliner et al.**

(10) **Patent No.:** **US D837,655 S**

(45) **Date of Patent:** **\*\* Jan. 8, 2019**

(54) **BOTTLE**

(71) Applicant: **CITADELLE, COOPÉRATIVE DE  
PRODUCTEURS DE SIROP  
D'ÉRABLE**, Plessisville (CA)

(72) Inventors: **Michael Moliner**, Eastman (CA);  
**David Mitchell**, Canton de Stanstead  
(CA)

(73) Assignee: **Citadelle, Cooperative de Producteurs  
de Sirop D'Erable**, Plessisville  
(Quebec) (CA)

(\*\*) Term: **15 Years**

(21) Appl. No.: **29/601,638**

(22) Filed: **Apr. 25, 2017**

(51) **LOC (11) Cl.** ..... **09-01**

(52) **U.S. Cl.**  
USPC ..... **D9/531; D9/575**

(58) **Field of Classification Search**  
USPC ..... D9/516, 523, 528, 530, 531, 533, 572,  
D9/575, 715, 745  
CPC . B65D 85/00; B65D 1/12; B65D 1/18; B65D  
1/20; B65D 21/0237

See application file for complete search history.

(56) **References Cited**

**U.S. PATENT DOCUMENTS**

D348,612 S *	7/1994	Ring	.....	D9/531
D418,423 S *	1/2000	Lauth, III	.....	D9/531
D472,151 S *	3/2003	Warren	.....	D9/528
D502,106 S *	2/2005	Roseberg	.....	D9/527
D503,624 S *	4/2005	Charriez	.....	D9/528
D512,320 S *	12/2005	Haley	.....	D9/531
D619,468 S *	7/2010	Lembke	.....	D9/531
D623,955 S *	9/2010	Lembke	.....	D9/531
D669,357 S *	10/2012	Dorn	.....	D9/531
D687,306 S *	8/2013	Fleischhacker	.....	D9/531

D699,118 S *	2/2014	Yourist	.....	D9/531
D740,123 S *	10/2015	Tremblay	.....	D9/536
D742,747 S *	11/2015	Lobbestael	.....	D9/531
D801,819 S *	11/2017	Dunster	.....	D9/531
D808,272 S *	1/2018	Thompson	.....	D9/536
2007/0221606 A1 *	9/2007	Eiten	.....	B65D 1/18 215/382
2014/0166609 A1 *	6/2014	Yourist	.....	B65D 1/0223 215/383

(Continued)

*Primary Examiner* — Ian Simmons

*Assistant Examiner* — Keith Frank

(74) *Attorney, Agent, or Firm* — Harness, Dickey &  
Pierce, PLC

(57) **CLAIM**

We claim the ornamental design for a bottle, as shown and described.

**DESCRIPTION**

FIG. 1 is a top perspective view of a bottle, in accordance with a first variant;

FIG. 2 is a front elevation view thereof;

FIG. 3 is a rear elevation view thereof;

FIG. 4 is a right side elevation view thereof;

FIG. 5 is a left side elevation view thereof;

FIG. 6 is a top plan view thereof;

FIG. 7 is a top perspective view of a bottle, in accordance with a second variant;

FIG. 8 is a front elevation view thereof;

FIG. 9 is a rear elevation view thereof;

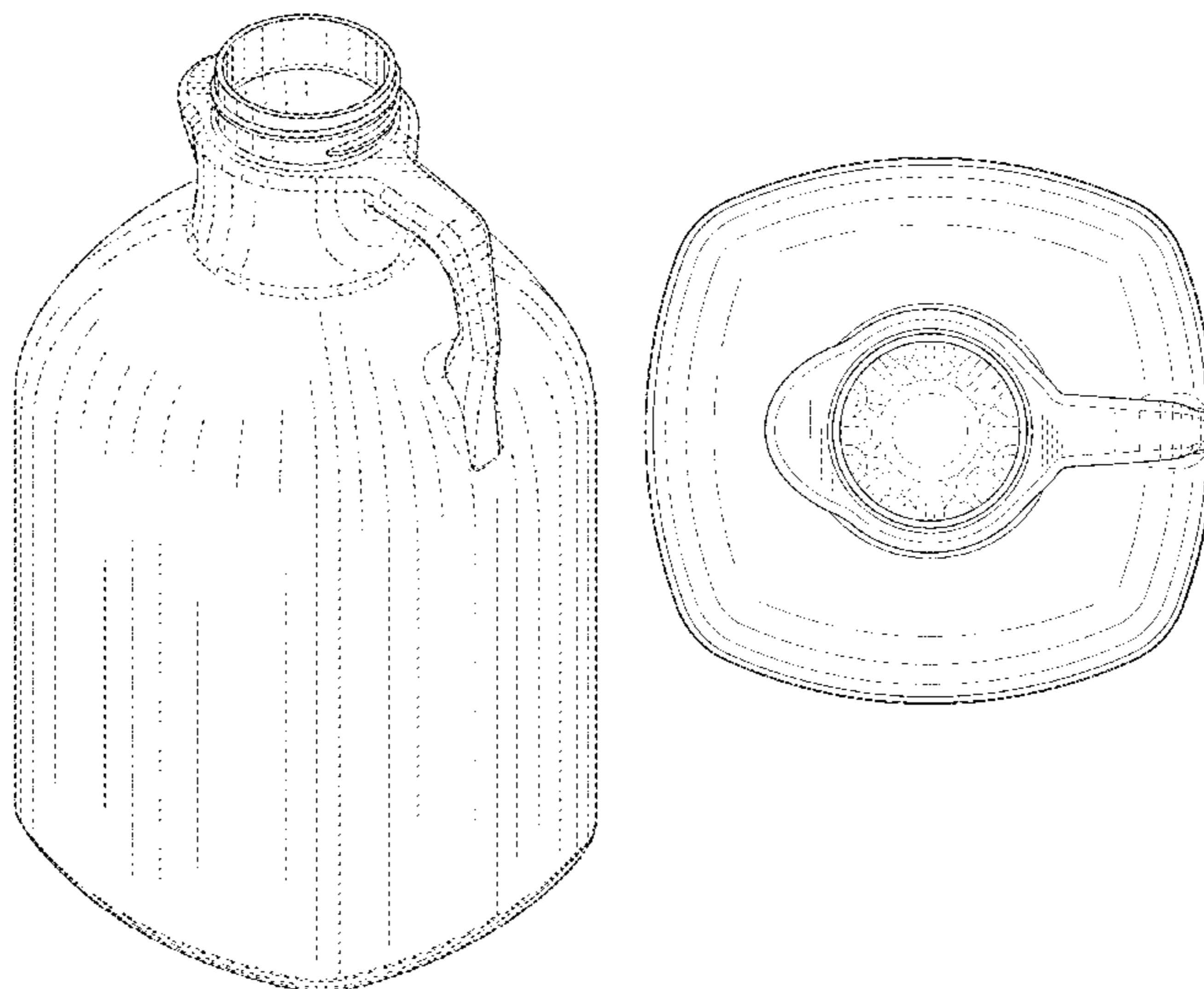
FIG. 10 is a right side elevation view thereof;

FIG. 11 is a left side elevation view thereof; and,

FIG. 12 is a top plan view thereof.

Throughout the figures, where shown, the stippled, broken and/or diagonal shading lines are for illustrative purposes only and form no part of the claimed design. The broken lines in the drawings showing the bottle illustrate the portions of the bottle that form no part of the claimed design.

**1 Claim, 12 Drawing Sheets**



(56)

**References Cited**

U.S. PATENT DOCUMENTS

2015/0076163 A1\* 3/2015 Yourist ..... B65D 15/18  
220/609  
2015/0102004 A1\* 4/2015 Kelly ..... B65D 1/0223  
215/44

\* cited by examiner

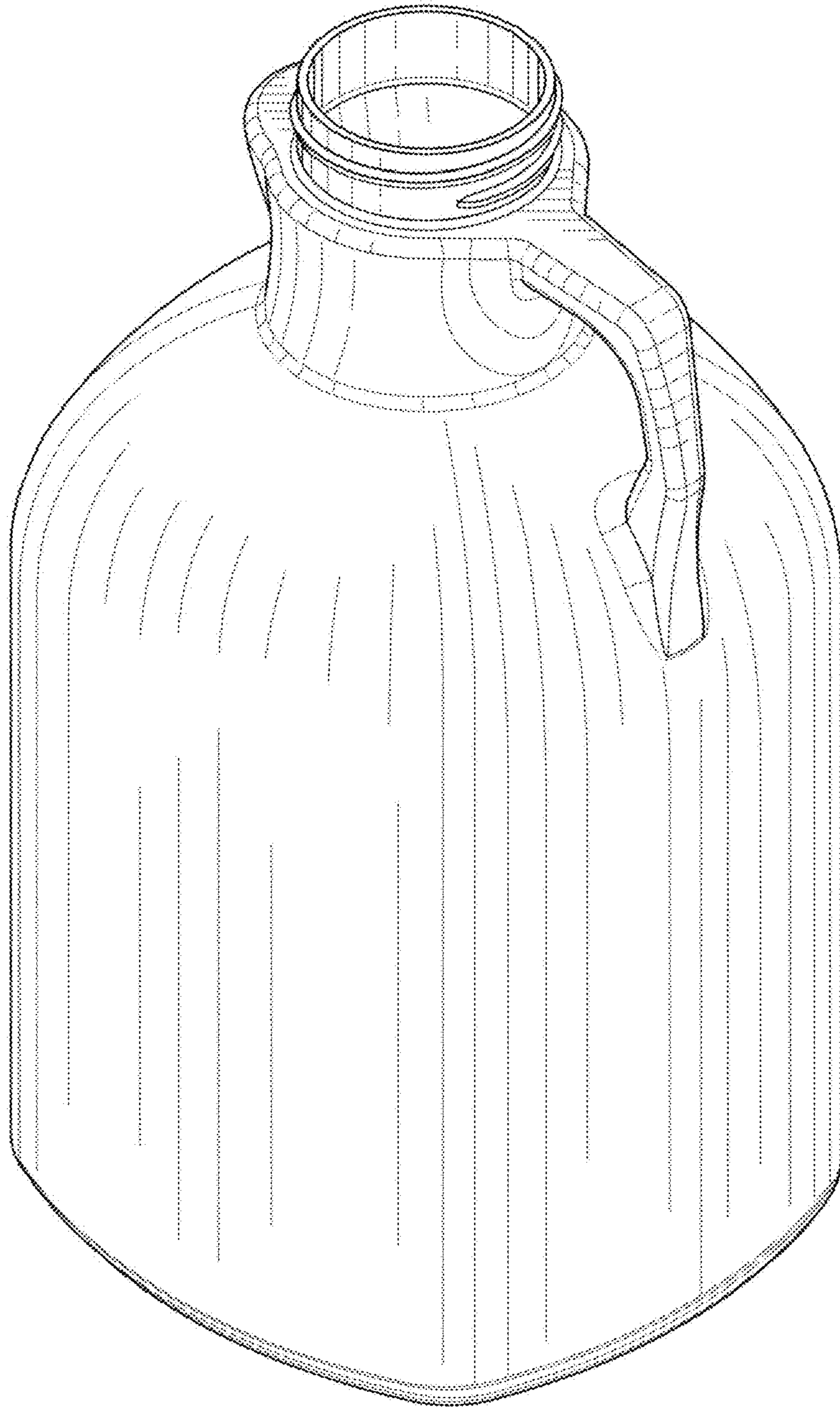


FIG. 1

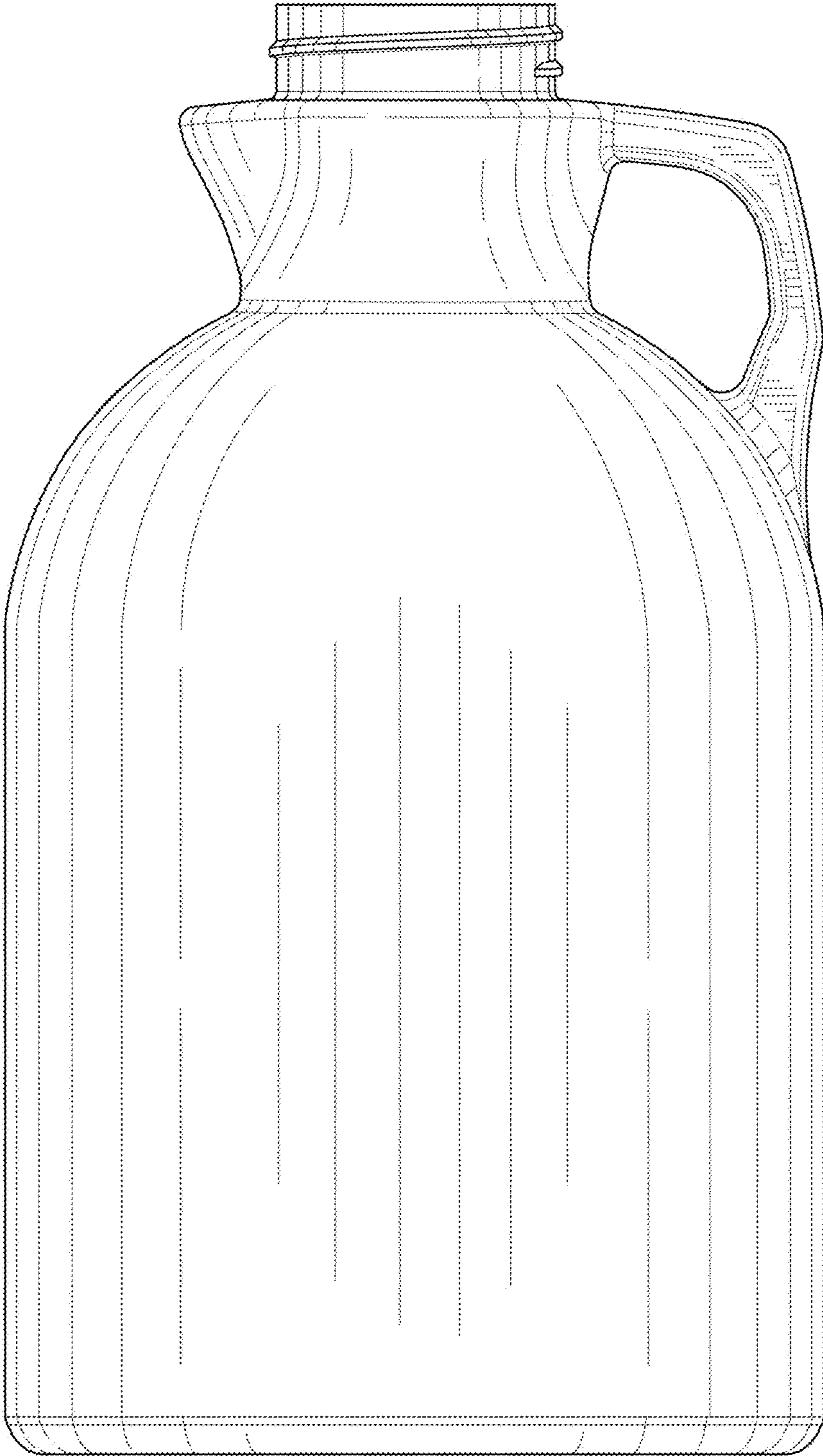


FIG. 2

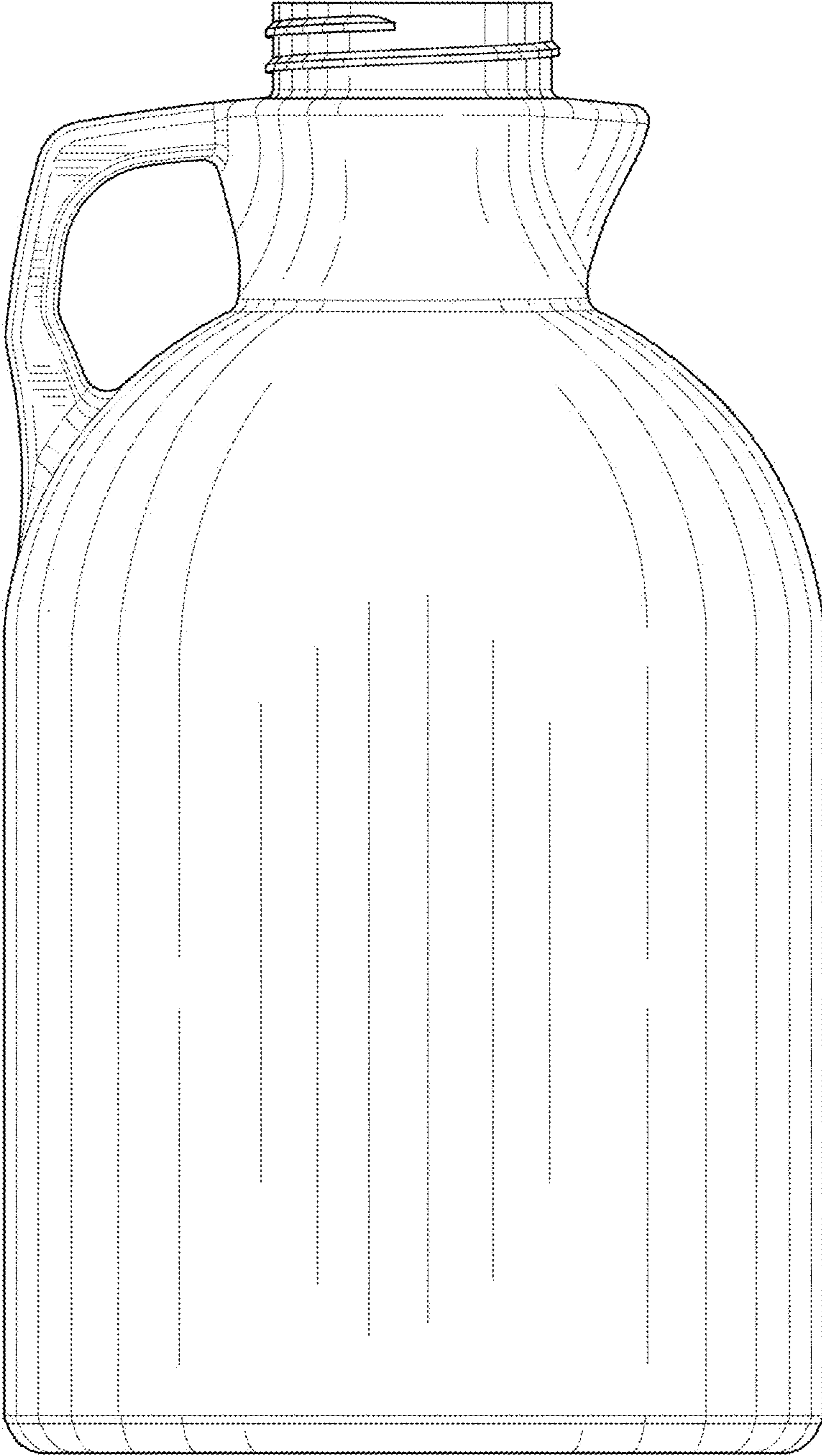


FIG.3

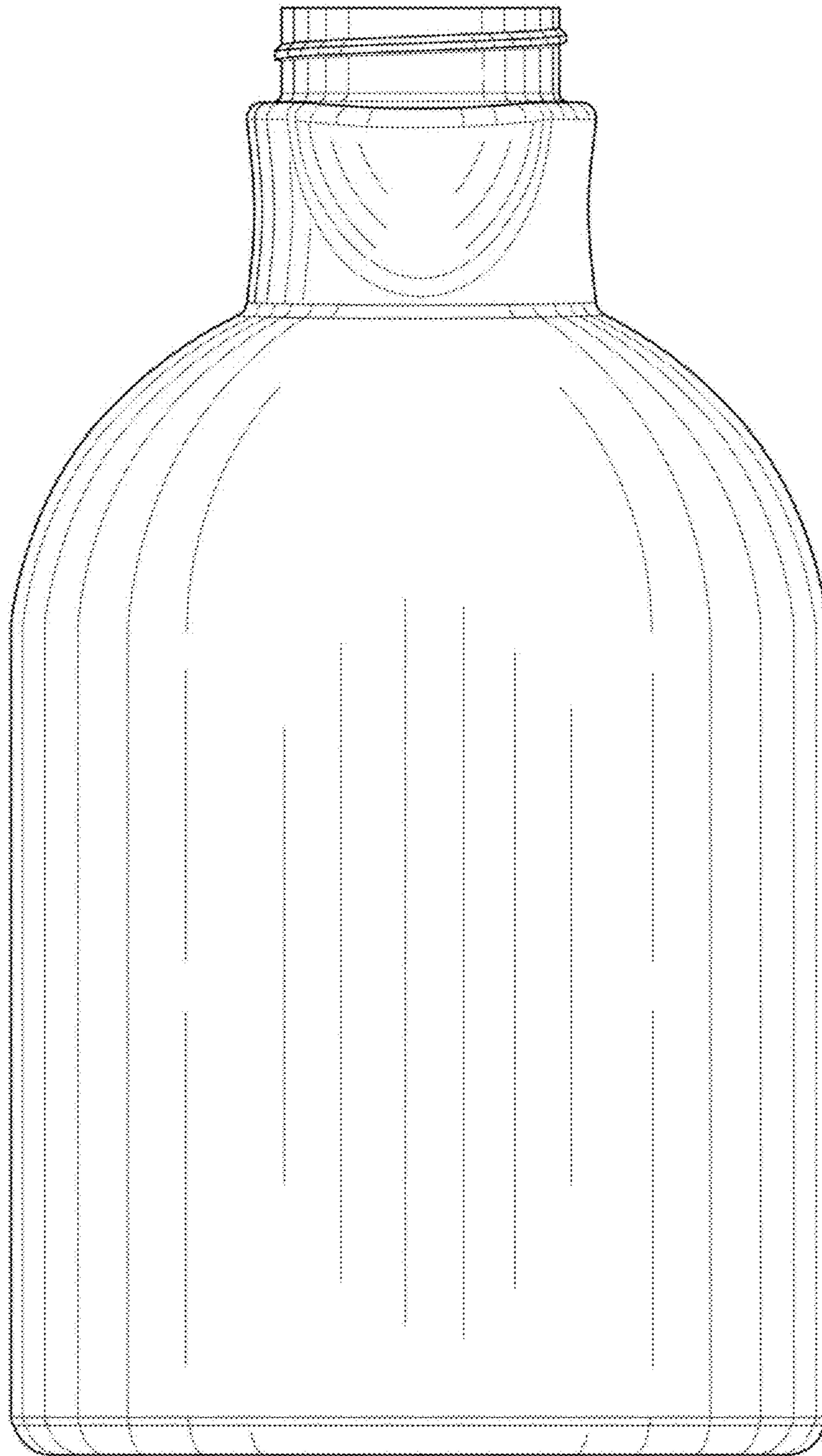


FIG.4

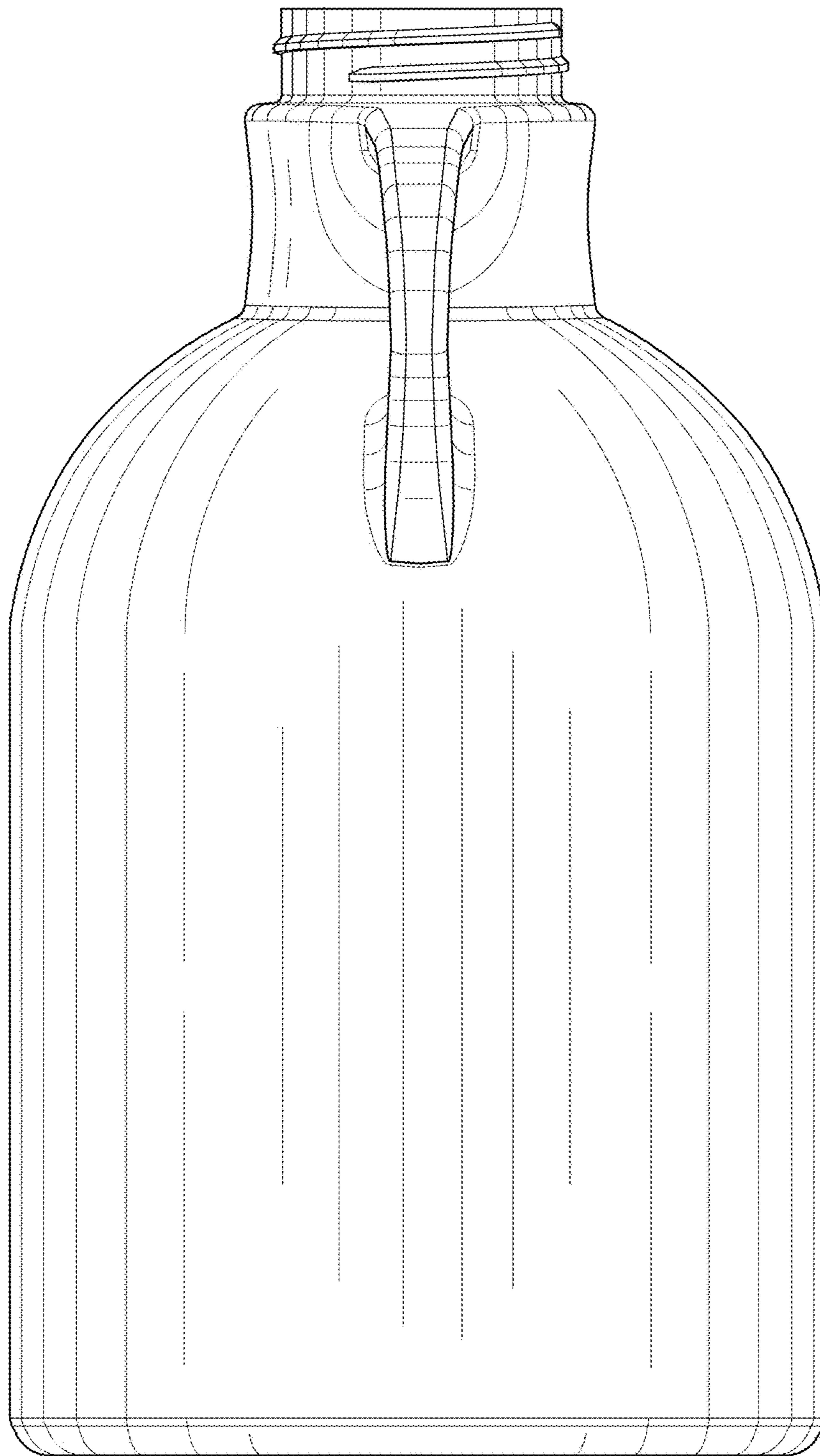


FIG. 5

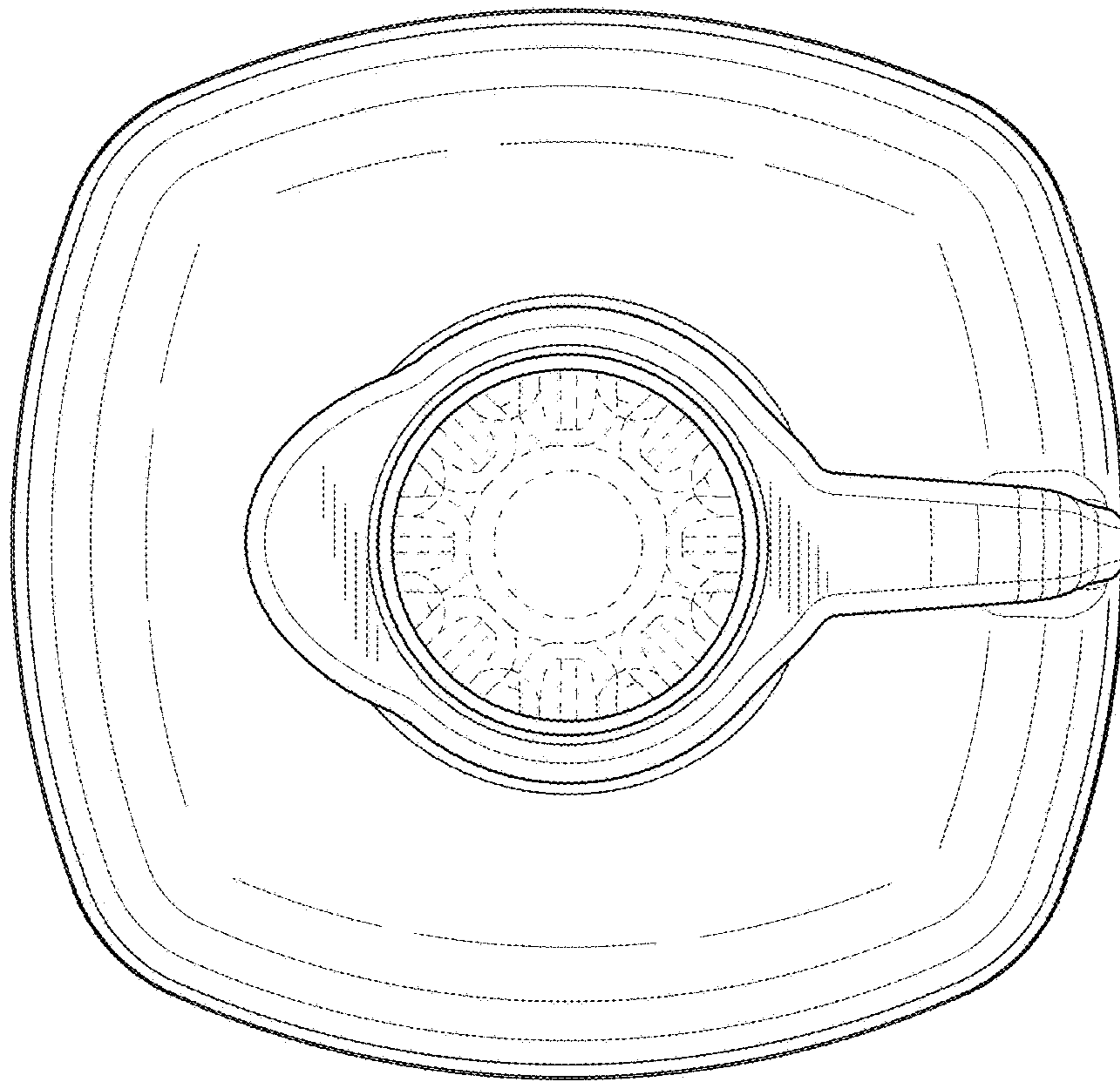


FIG.6



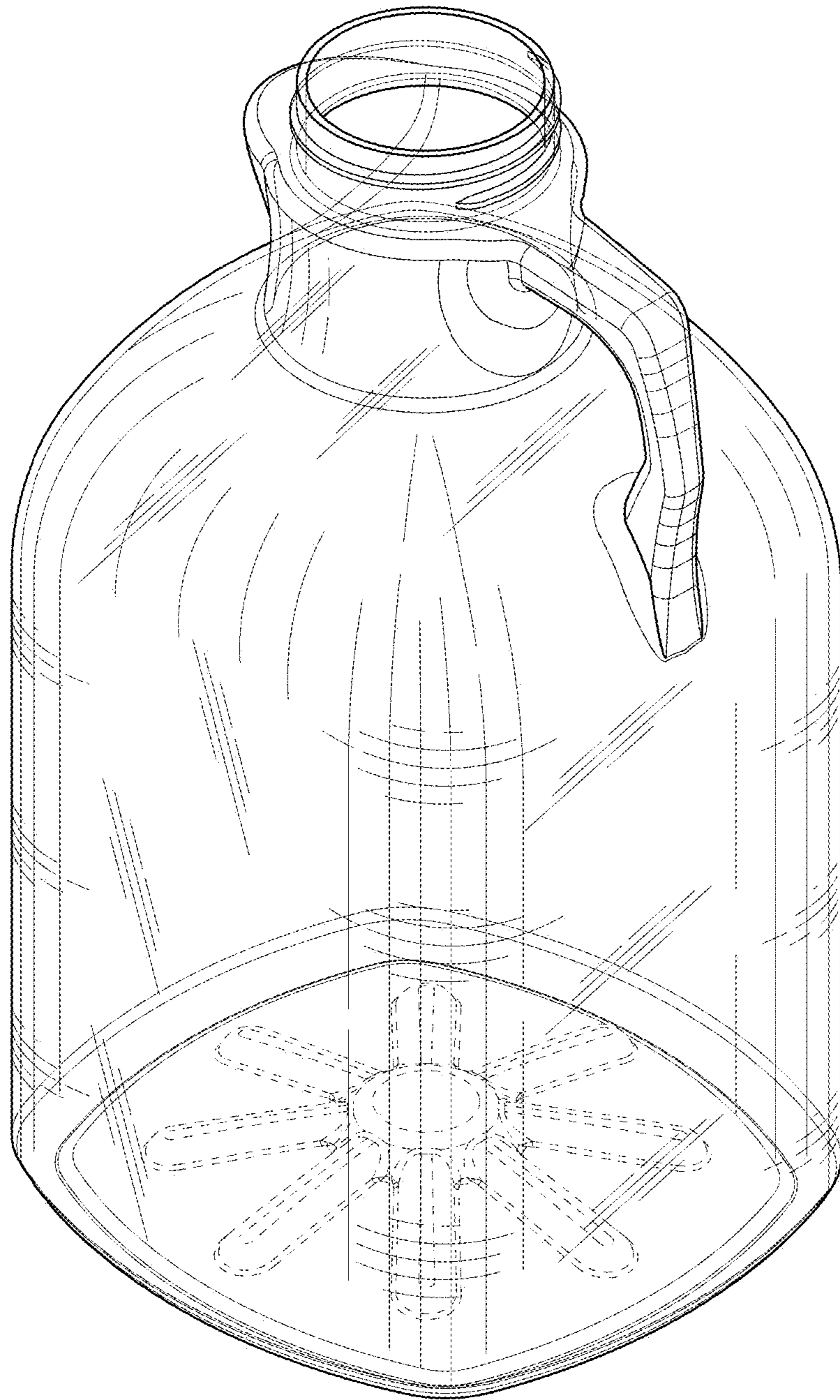


FIG.7

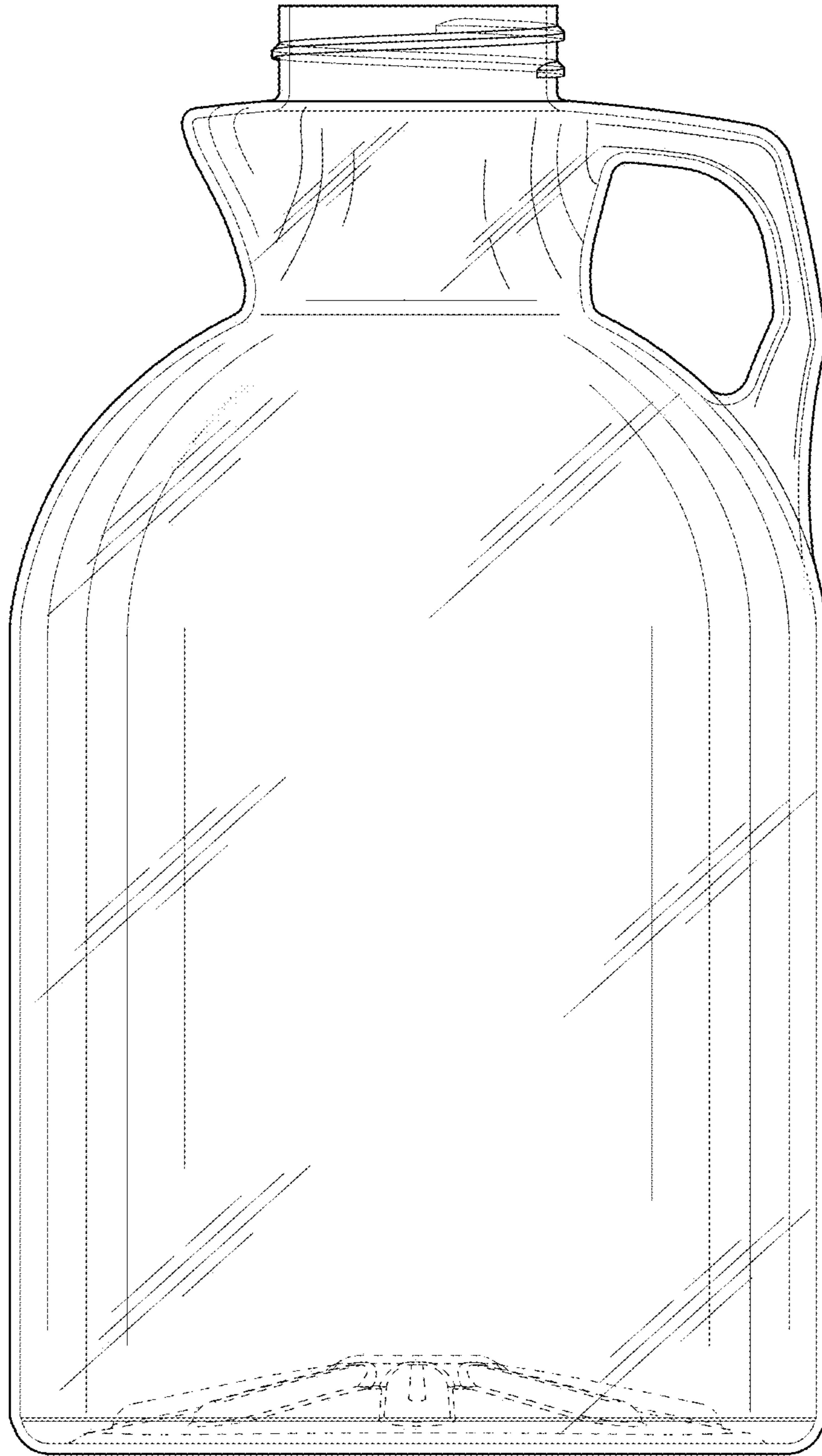


FIG.8

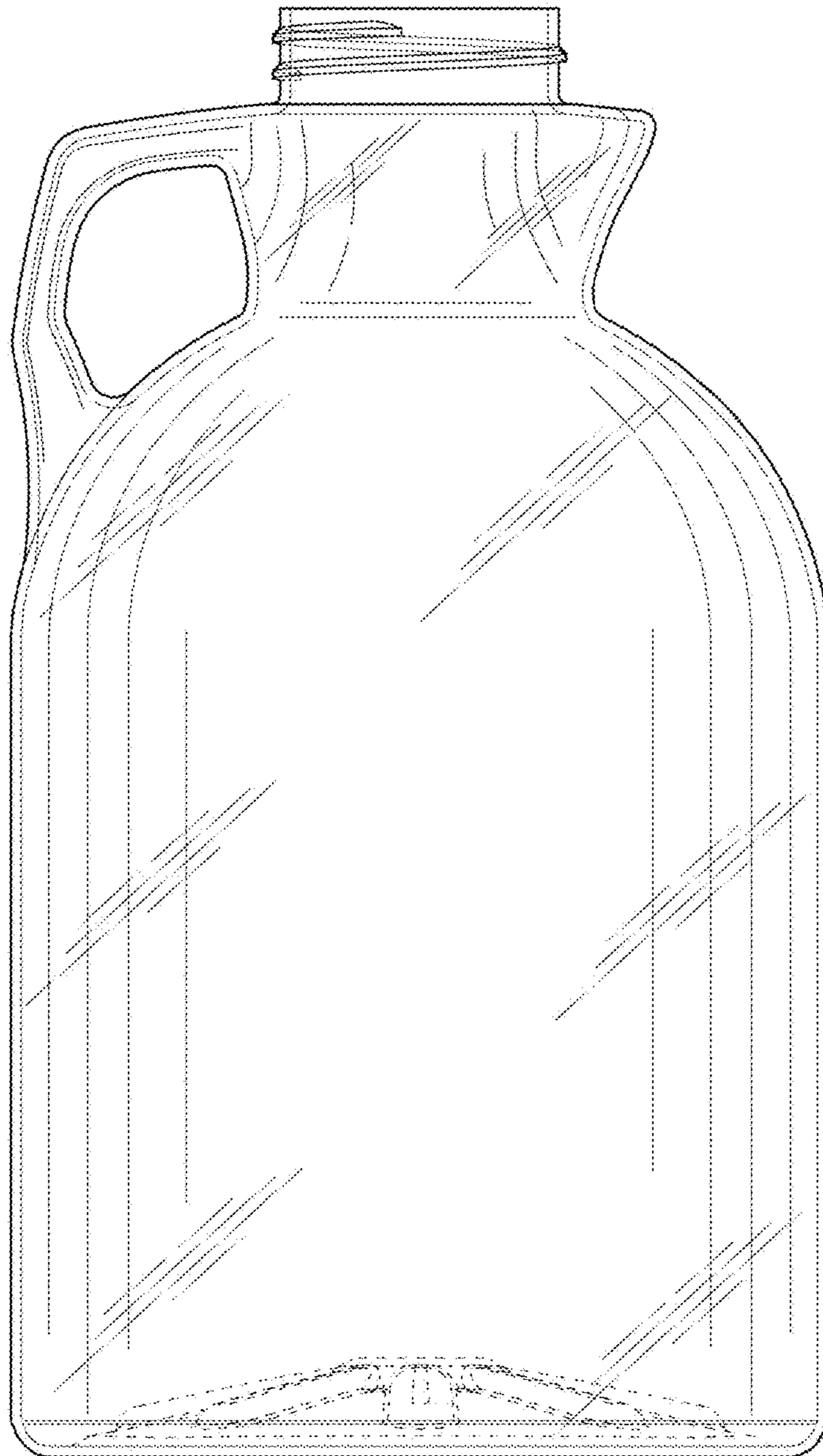


FIG.9

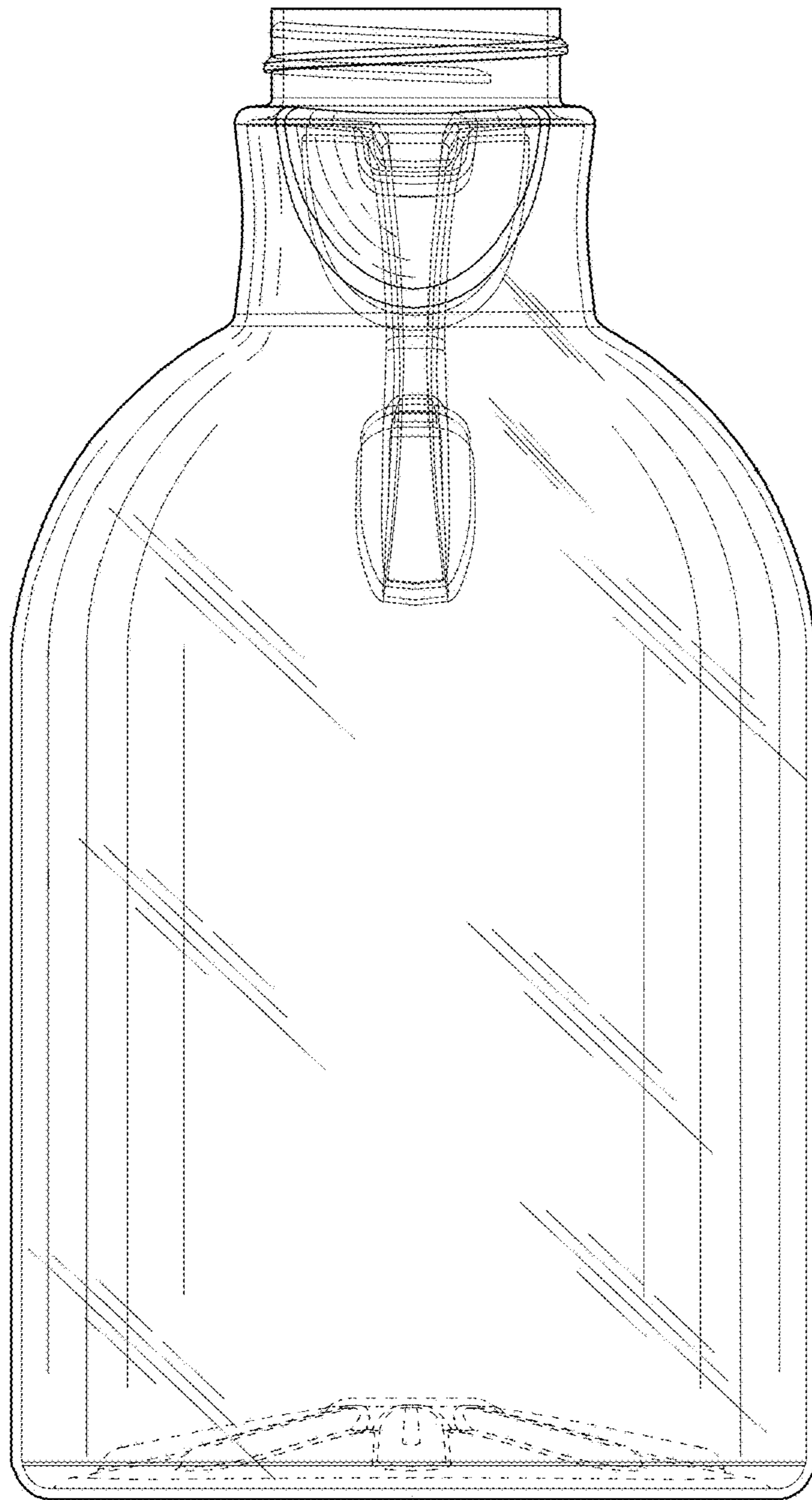


FIG.10

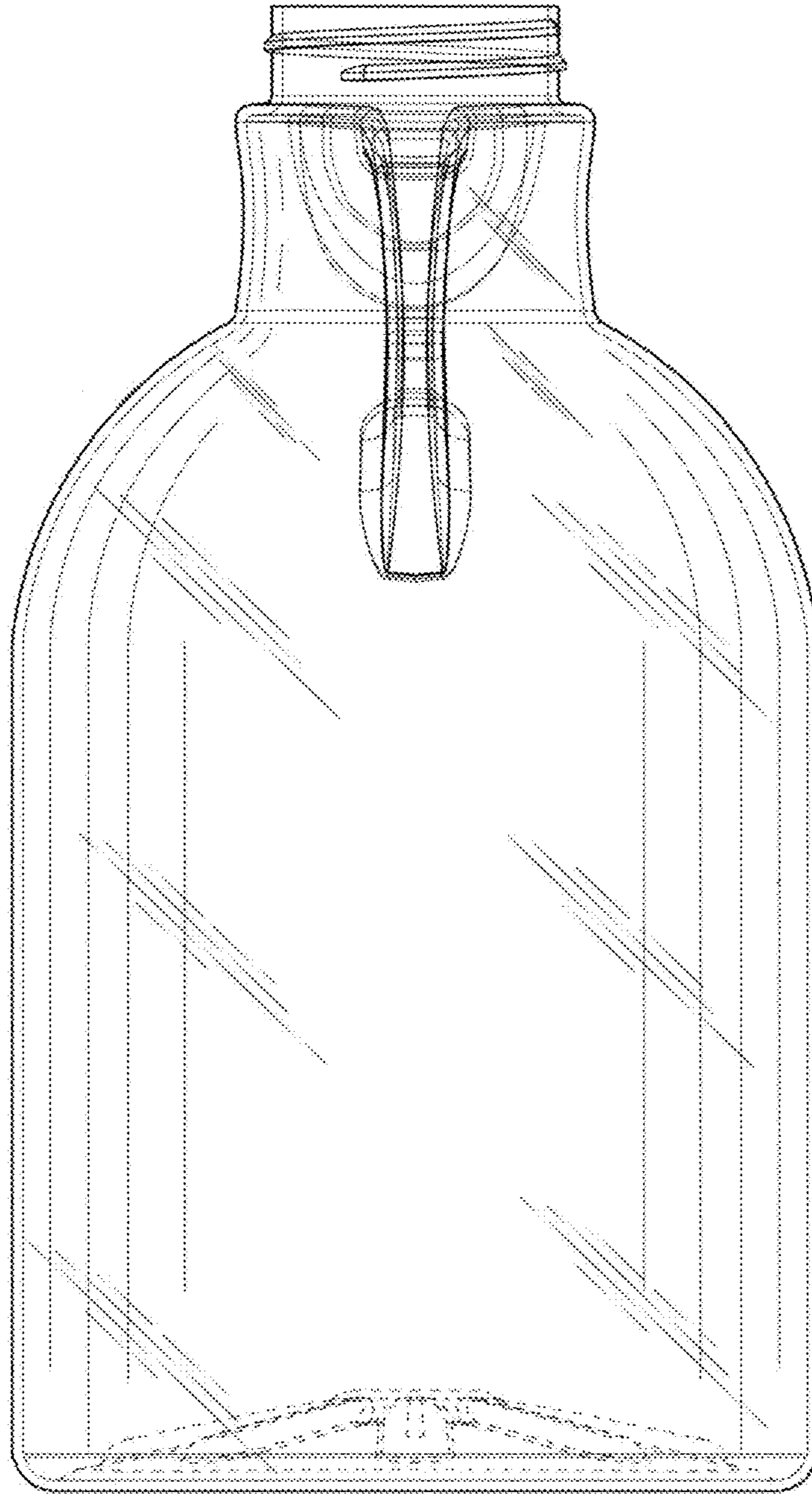


FIG.11

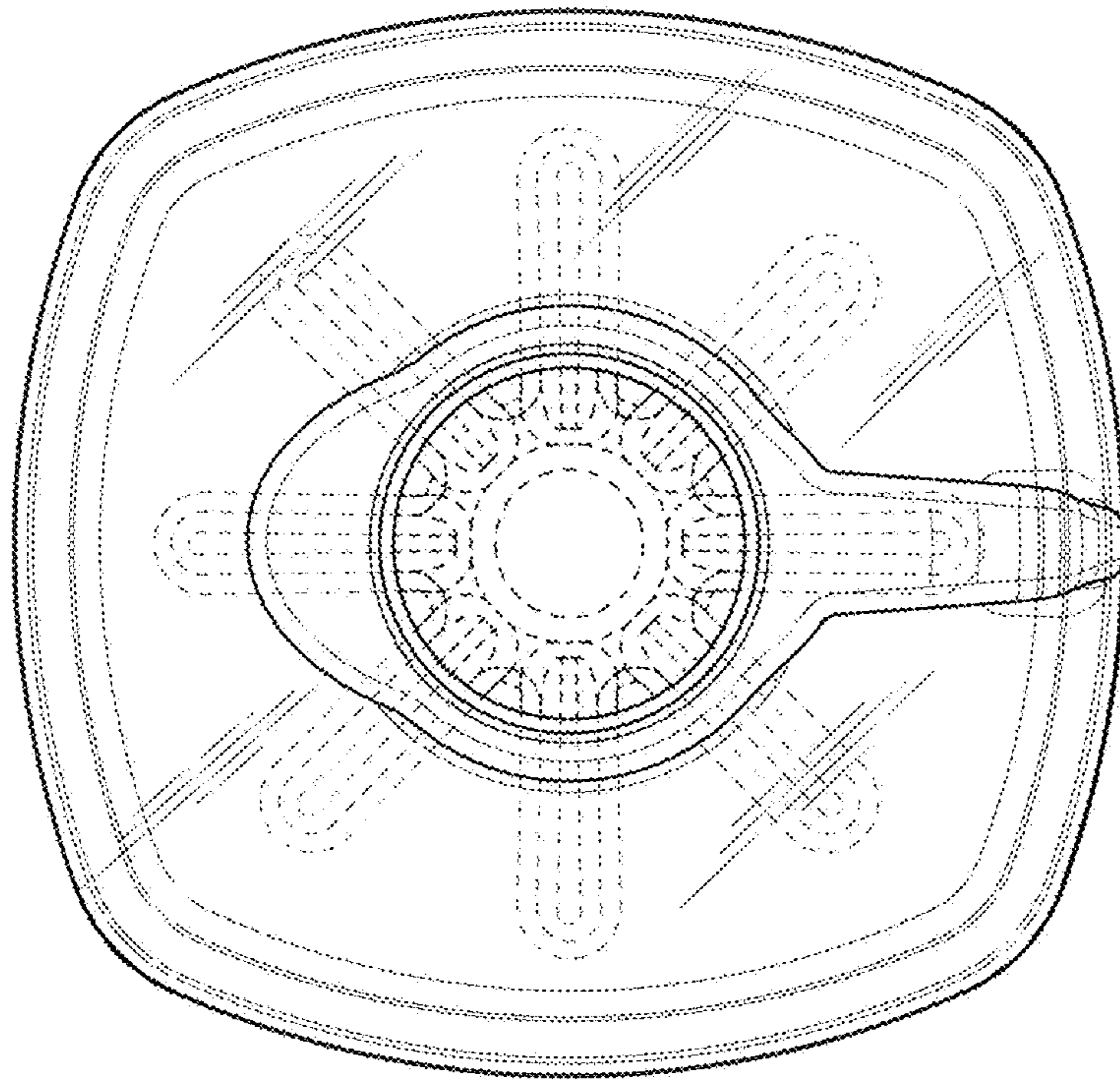


FIG. 12