



US00D837653S

(12) **United States Design Patent** (10) **Patent No.:** **US D837,653 S**
Meranus (45) **Date of Patent:** **** Jan. 8, 2019**

(54) **CARTRIDGE FOR BALM COMPOSITION**

(71) Applicant: **Margaret Spicer Meranus**, Cincinnati, OH (US)
(72) Inventor: **Margaret Spicer Meranus**, Cincinnati, OH (US)

(**) Term: **15 Years**

(21) Appl. No.: **29/588,152**

(22) Filed: **Dec. 19, 2016**

(51) **LOC (11) Cl.** **09-01**

(52) **U.S. Cl.**
USPC **D9/521**

(58) **Field of Classification Search**

USPC D3/201, 203.1, 203.2, 203.3, 203.6, 205, D3/207, 211, 212, 215, 229, 230.269, D3/273, 901, 903; D11/1, 7, 12, 79, 80, D11/86, 87; D28/4, 7, 8, 8.1, 8.2, 9, 56, D28/57, 59, 61, 76, 77, 78, 81, 82, 85, D28/86, 87, 88, 89, 90, 91, 91.1, 99; D4/137; D30/158; D9/521, 512, 516, D9/519, 520, 522, 527-531, 533, D9/536-539, 541, 543, 540, 542, 544, D9/545, 550, 553, 556-559, 563-567
CPC A45D 34/04; A45D 34/041; A45D 40/26; A45D 40/261; A45D 33/12; A45D 34/06; B65D 83/0011; B65D 83/0005

See application file for complete search history.

(56) **References Cited**

U.S. PATENT DOCUMENTS

1,823,814 A	9/1931	Aiello	
D204,581 S *	4/1966	Coulson	132/107
D286,465 S *	11/1986	Attwood	D3/207
D292,673 S *	11/1987	Woodruff	D9/439
D299,488 S *	1/1989	Okada	D9/503
D317,405 S *	6/1991	Yasika	D3/203.2

(Continued)

OTHER PUBLICATIONS

“Cartridge for an Applicator Container—Meranus Margaret Spicer,” available Apr. 26, 2018, [online], [site visited Apr. 26, 2018]. Available from Internet, URL: <http://www.freepatentsonline.com/y2018/0072483.html> (Year: 2018).*

(Continued)

Primary Examiner — Cathron C Brooks

Assistant Examiner — Katrina N Gonzalez

(74) *Attorney, Agent, or Firm* — Daniel F. Nesbitt; Hasse & Nesbitt, LLC

(57) **CLAIM**

I claim the ornamental design for a cartridge for balm composition, as shown and described.

DESCRIPTION

FIG. 1 is an exploded perspective view of a cartridge for balm composition, shown in an open configuration.

FIG. 2 is a front view thereof, the rear, right side and left side views being mirror images.

FIG. 3 is a top view thereof;

FIG. 4 is a bottom view thereof.

FIG. 5 is another perspective view of FIG. 1, shown in a closed configuration.

FIG. 6 is a top view thereof;

FIG. 7 is a front view thereof, the rear, right side and left side views being mirror images; and

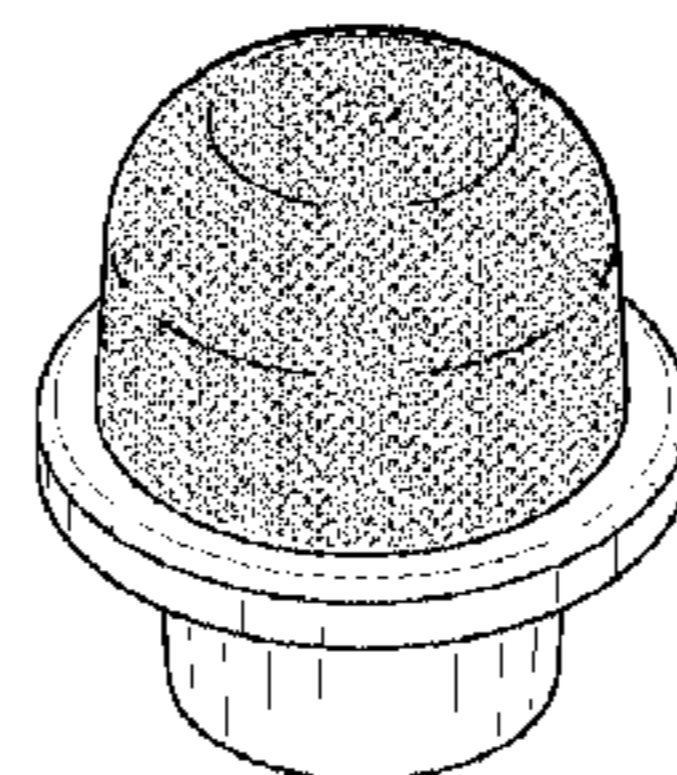
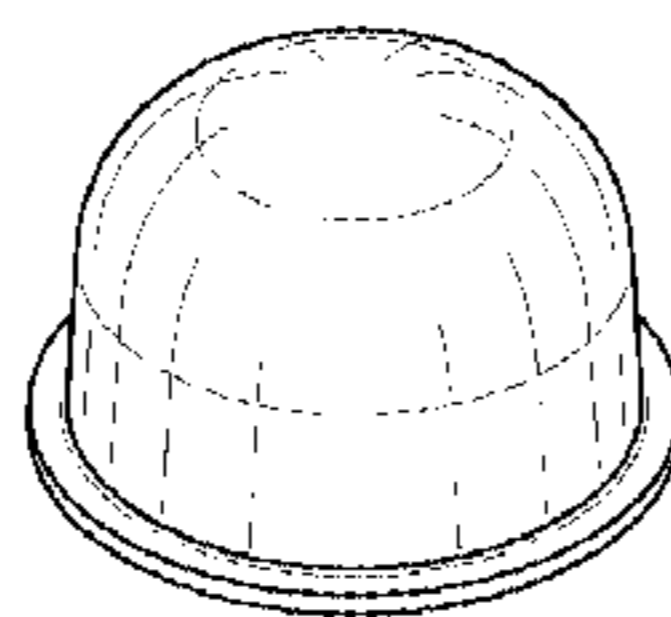
FIG. 8 is a bottom view thereof; and,

FIG. 9 is another perspective view of FIG. 1, shown with an exploded view of an outer container.

The dash-dash broken lines shown in FIG. 9 show environment only. The dash-dash broken lines in FIGS. 1, 3-4, and 8 illustrate portions of the cartridge for balm composition.

The dash-dash broken lines form no part of the claimed design. The stippled shading shown in FIGS. 1-3 represent a contrasting appearance.

1 Claim, 6 Drawing Sheets



(56)

References Cited

U.S. PATENT DOCUMENTS

D319,120 S * 8/1991 Kuhn D32/52
 D320,083 S * 9/1991 Casey D24/110
 D382,704 S * 8/1997 Petruzzi D3/207
 D385,414 S * 10/1997 Siu D3/207
 5,680,679 A 10/1997 May
 6,056,469 A 5/2000 Algorri
 D427,379 S 6/2000 Thorpe
 6,283,658 B1 9/2001 Estevez et al.
 D449,784 S * 10/2001 Crawford D9/453
 D490,561 S * 5/2004 Angeletta D28/7
 6,926,166 B1 8/2005 Bitton et al.
 D532,935 S * 11/2006 Kostow D28/76
 7,309,185 B2 12/2007 Thorpe et al.
 D562,699 S * 2/2008 Green D9/504
 D564,900 S * 3/2008 Green D9/504
 D577,583 S * 9/2008 Porter D9/447
 D587,016 S * 2/2009 Yasoshima D4/114
 7,785,026 B2 8/2010 Eng et al.
 D625,216 S 10/2010 Morgan
 7,954,640 B2 6/2011 West et al.
 D645,340 S * 9/2011 Menard D9/428
 8,356,952 B2 * 1/2013 Bennett A45D 34/041
 132/293
 8,747,002 B2 6/2014 Izkovitz
 D708,790 S * 7/2014 Schlatter D28/89
 D709,652 S * 7/2014 Teller D28/83
 D720,890 S * 1/2015 Shen D28/82
 D722,721 S * 2/2015 Ross D27/167
 D722,722 S * 2/2015 Ross D27/167
 D732,822 S * 6/2015 Griffin D3/273
 9,044,079 B2 6/2015 Silvers
 D734,894 S * 7/2015 Schlatter D28/76
 9,131,758 B2 9/2015 Stein
 D783,268 S * 4/2017 Shelton D28/91.1
 D787,741 S * 5/2017 Paquet D28/7
 D801,582 S * 10/2017 Paquet D28/4

9,950,854 B2 * 4/2018 Meranus B65D 83/0011
 2002/0003983 A1 * 1/2002 Gueret A45D 33/00
 401/130
 2002/0127046 A1 * 9/2002 Gueret A45D 40/02
 401/266
 2005/0191110 A1 9/2005 Bitton
 2008/0245104 A1 10/2008 Steele
 2010/0279040 A1 11/2010 West et al.
 2011/0204015 A1 8/2011 West et al.
 2012/0234336 A1 9/2012 Paquet et al.
 2013/0014312 A1 1/2013 Izkovitz
 2018/0072483 A1 * 3/2018 Meranus B65D 83/0011

OTHER PUBLICATIONS

“Fresh-Picked Beauty DIY,” available Jun. 17, 2014, [online], [site visited Apr. 26, 2018]. Available from Internet, URL:<http://www.freshpickedbeauty.com/2014/06/diy-refill-for-eos-lip-balm.html> (Year: 2014).*

“The New Lancôme Juicy Shakers Shades—A Certain Romance,” available Feb. 16, 2017, [online], [site visited Apr. 26, 2018]. Available from Internet, URL:<https://www.acertainromance.net/lancome-juicy-shakers-review-swatches/> (Year: 2017).*

“Chanel Lip Gloss Pendant”, internet search at www.google.com/search?q=chanel+lip+gloss+pendant, available to inventor prior to Dec. 19, 2016 (1 page).

“Dispicable Me Minion Lip Gloss Watch”, internet search at www.birthdaydirect.com/minions-lip-gloss-watch-p-53747.html, available to inventor prior to Dec. 19, 2016 (2 pages).

“My Little Pony Slap Bracelet Lip Gloss Set”, internet result at www.google.com/search?q=my+little+pony+slap+bracelet+lip+gloss+set, available to inventor prior to Dec. 19, 2016 (2 pages).

“Baby-Kids Finger Toothbrush”, internet search at www.aliexpress.com/item/2pcs-baby-kids-finger-toothbrush-soft-silicone-infant-newborn-brush-tool-baby-teether-training-toothbrush, available to inventor prior to Dec. 19, 2016 (3 pages).

* cited by examiner

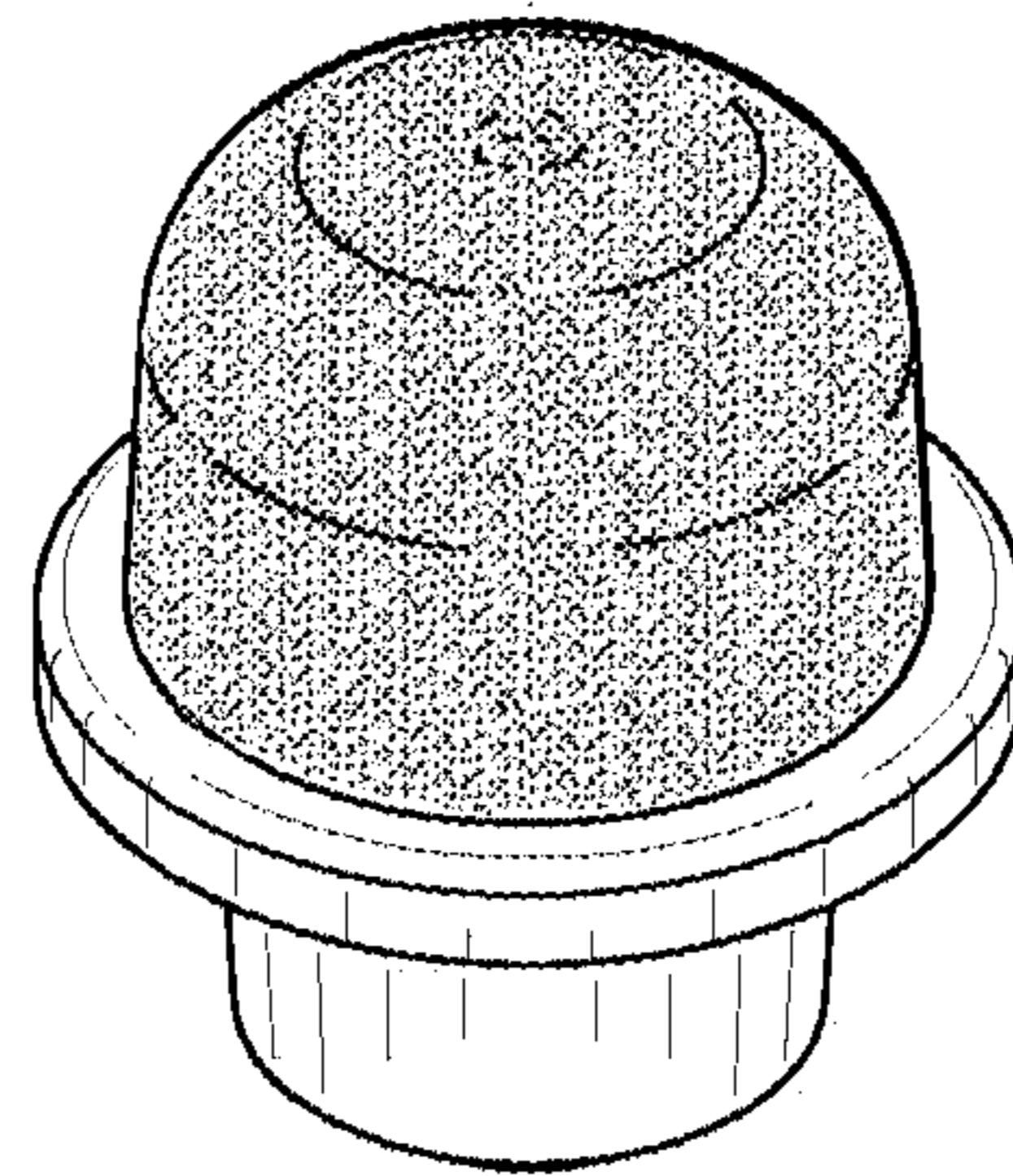
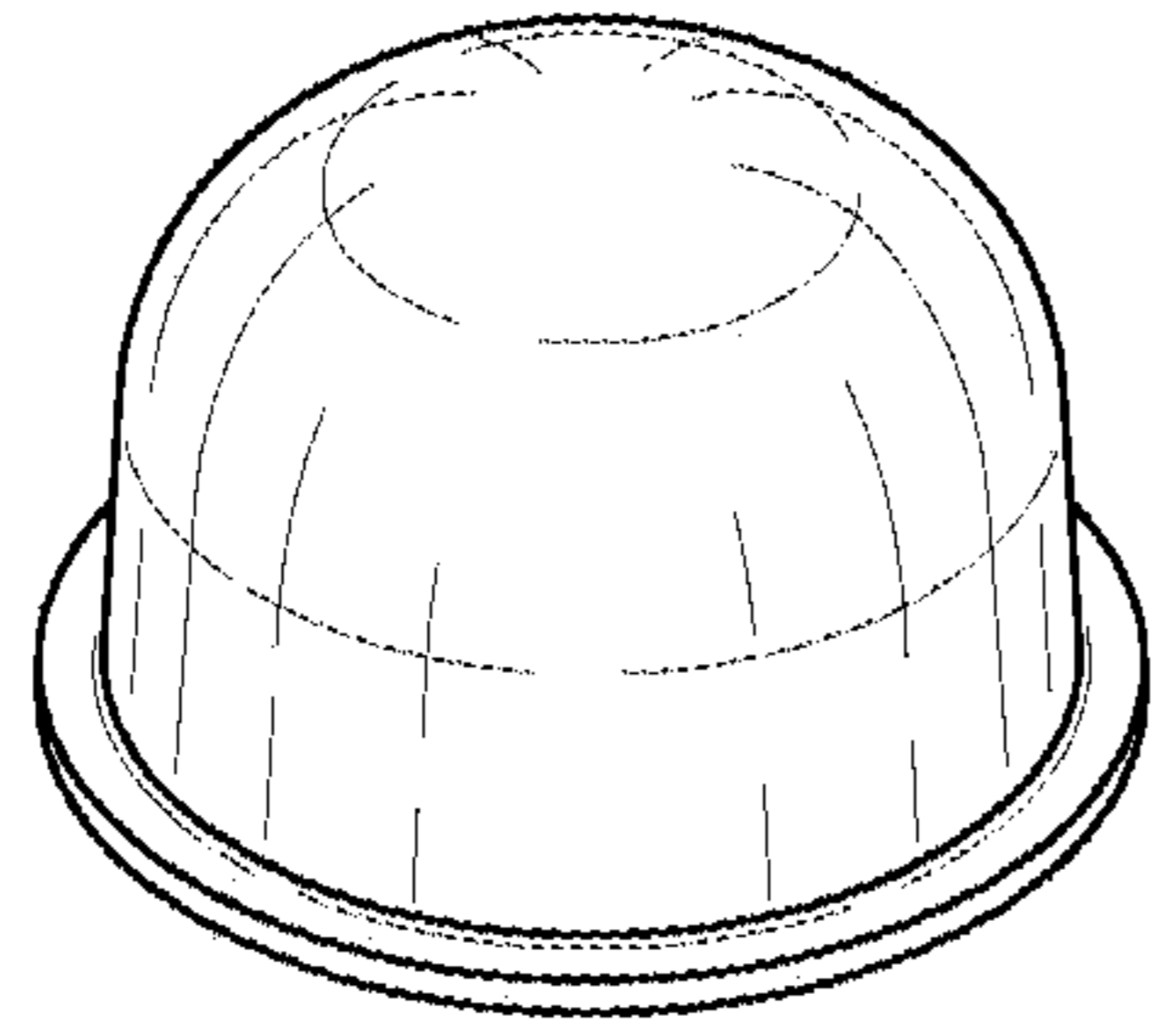


FIG. 1

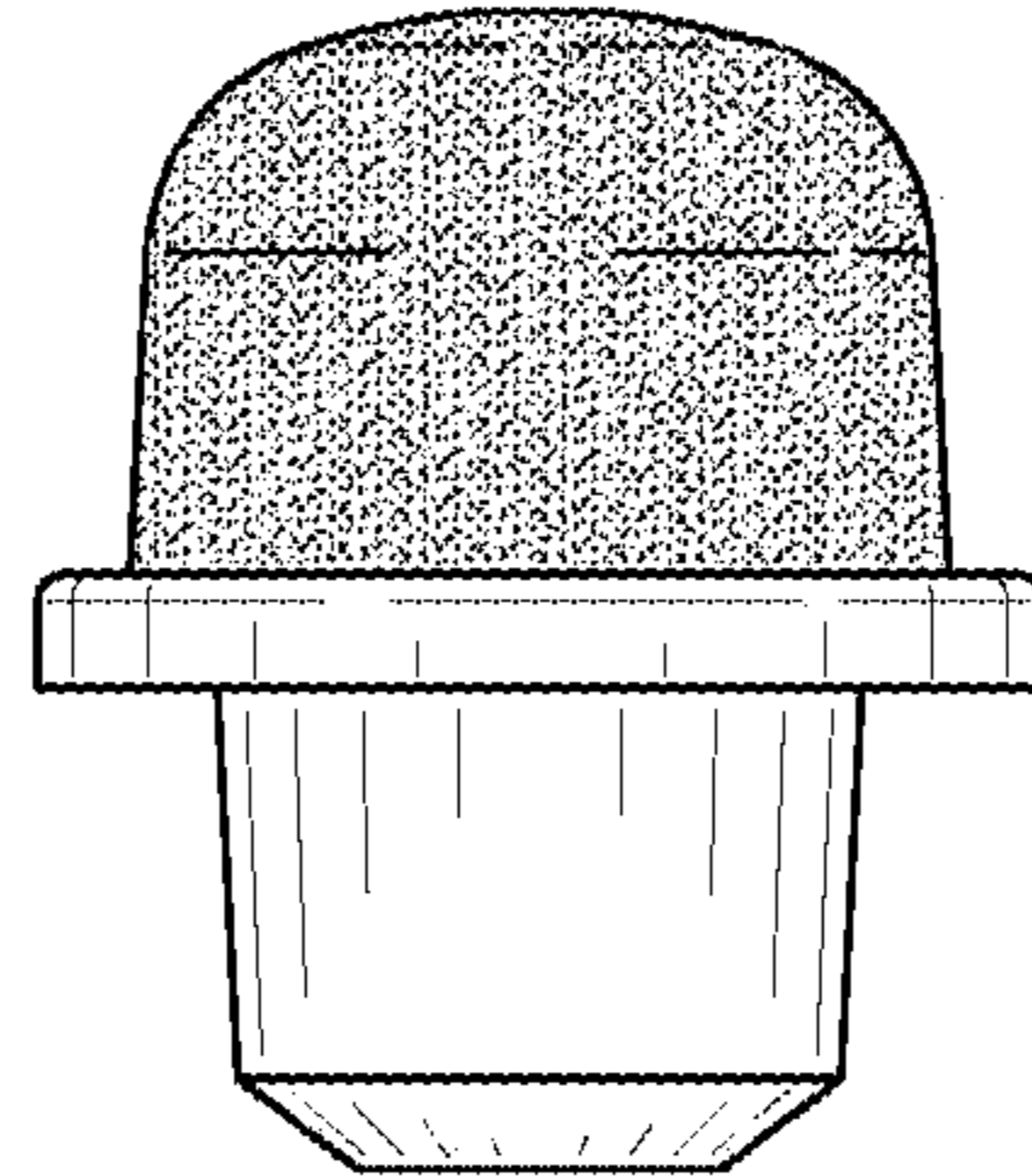
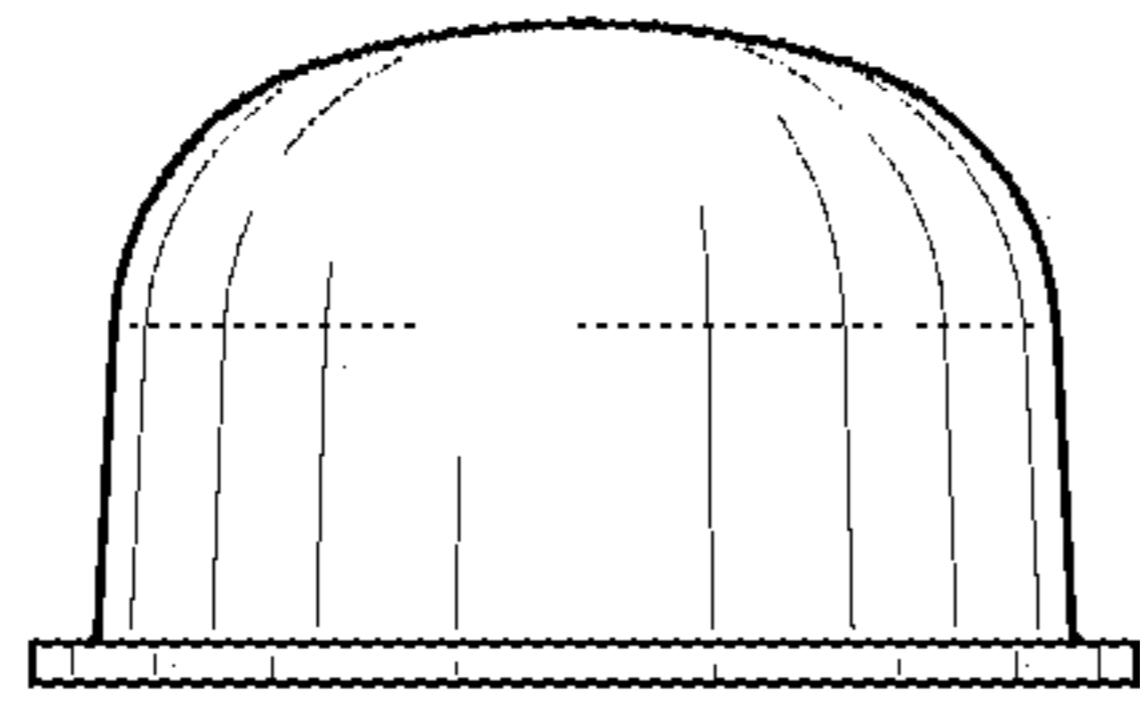


FIG. 2

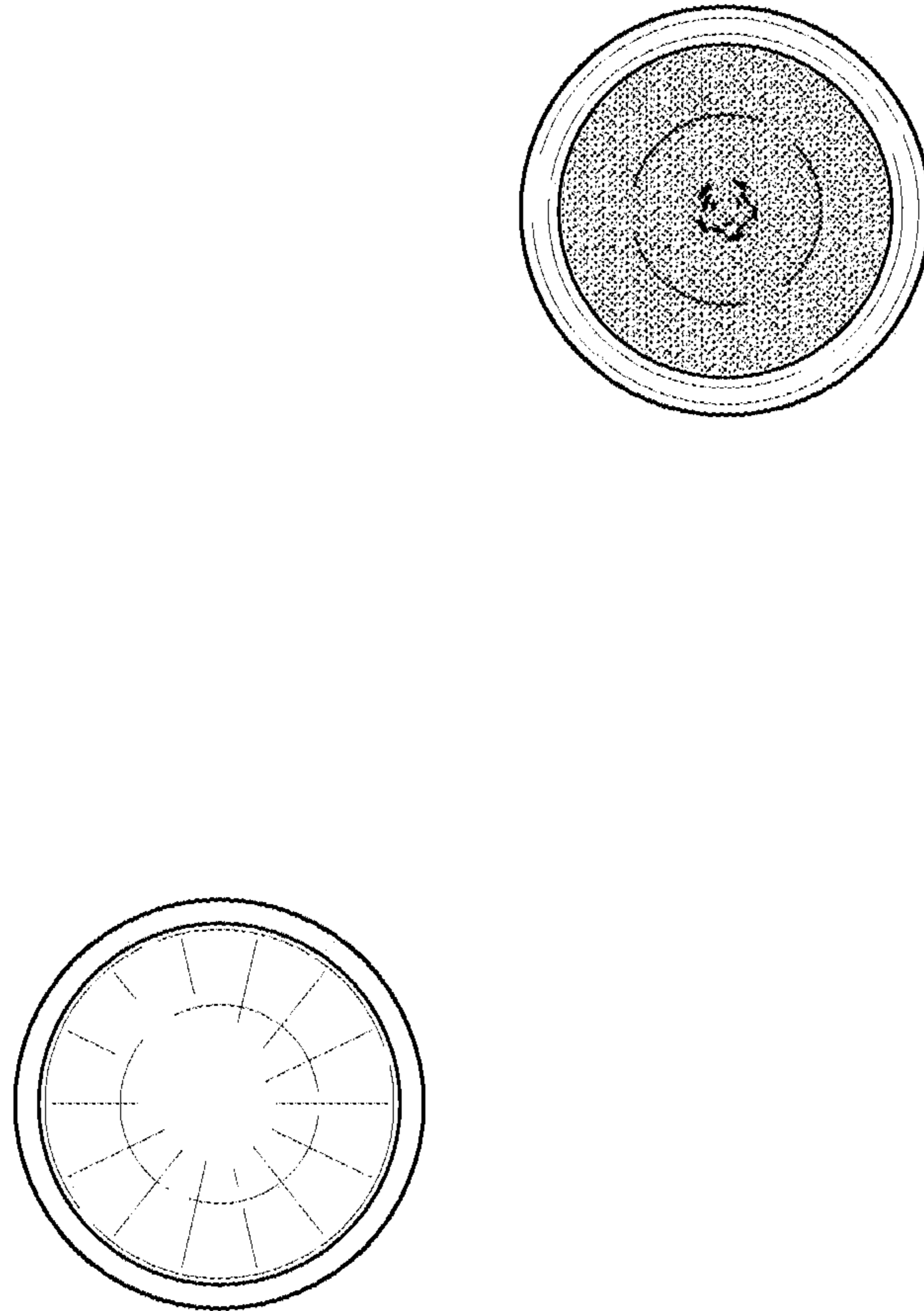


FIG. 3

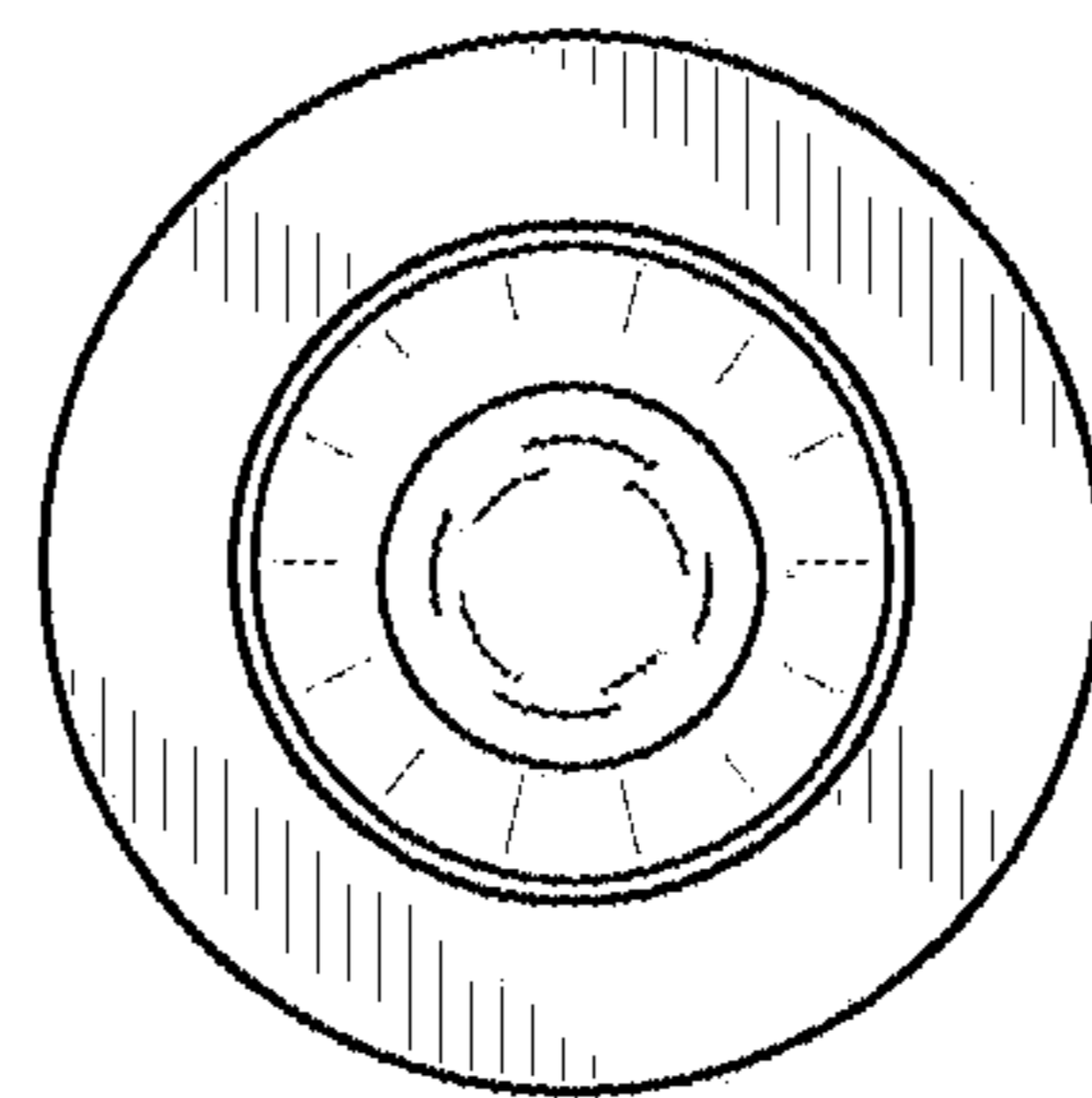
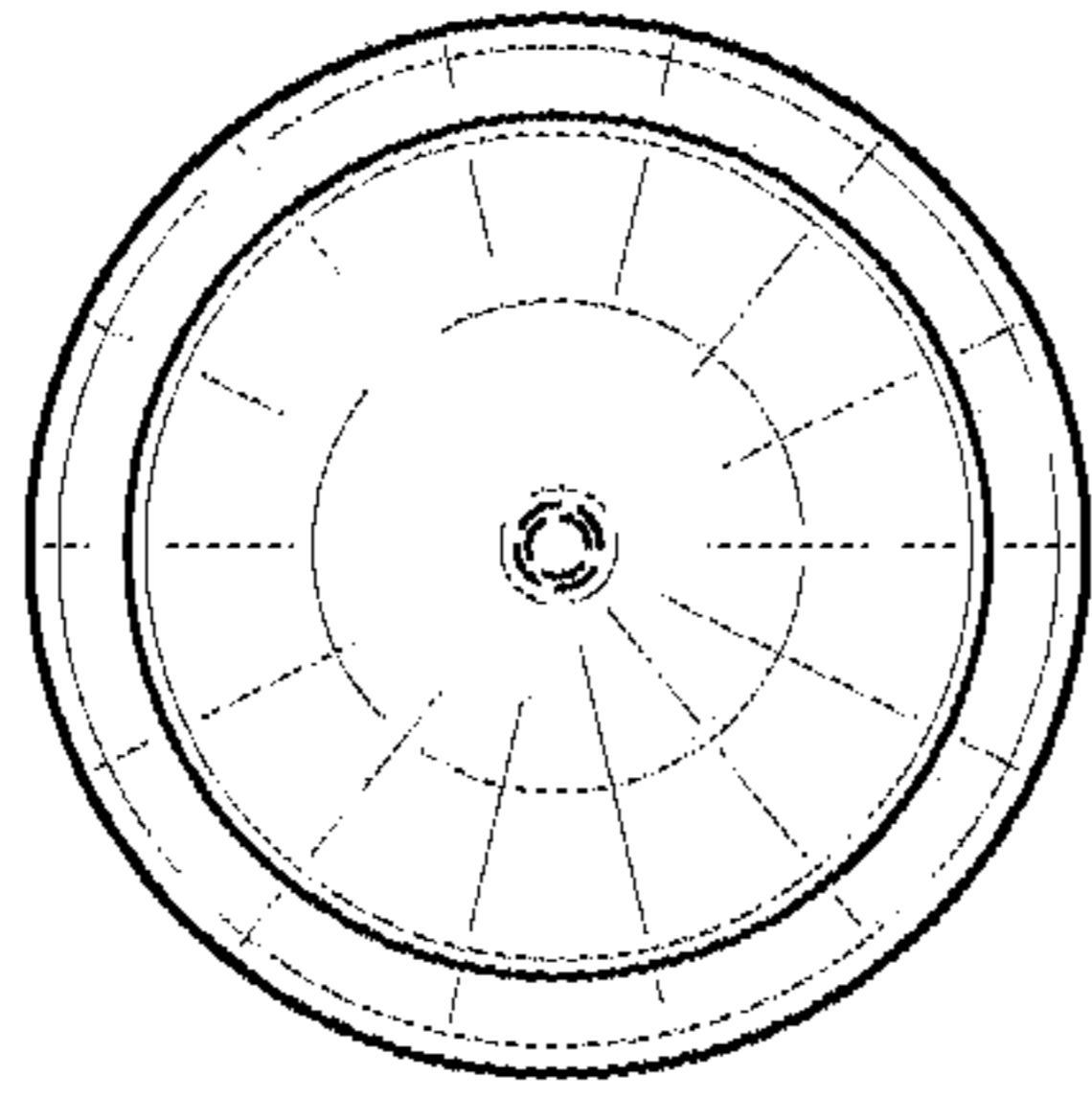


FIG. 4

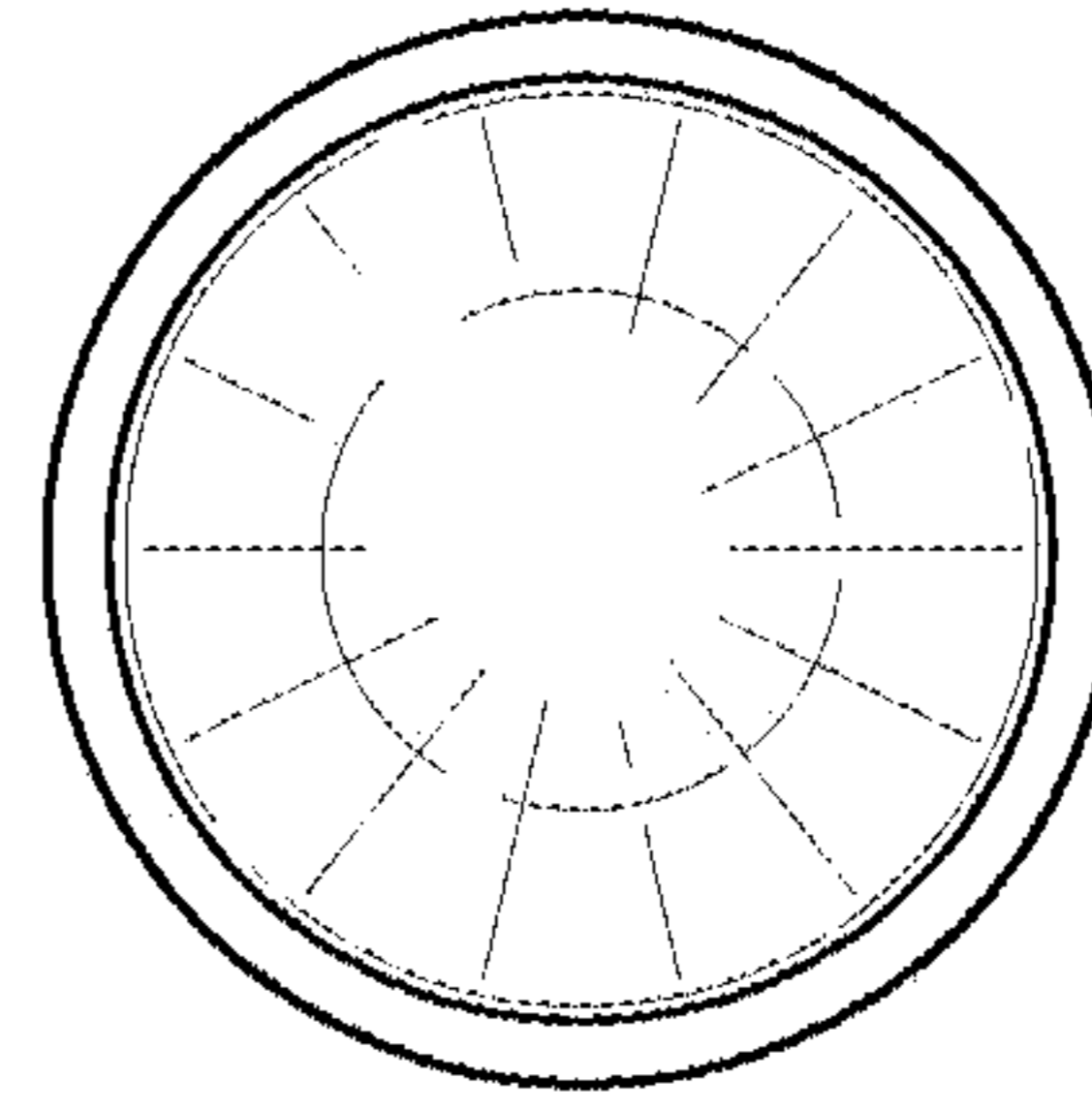


FIG. 6

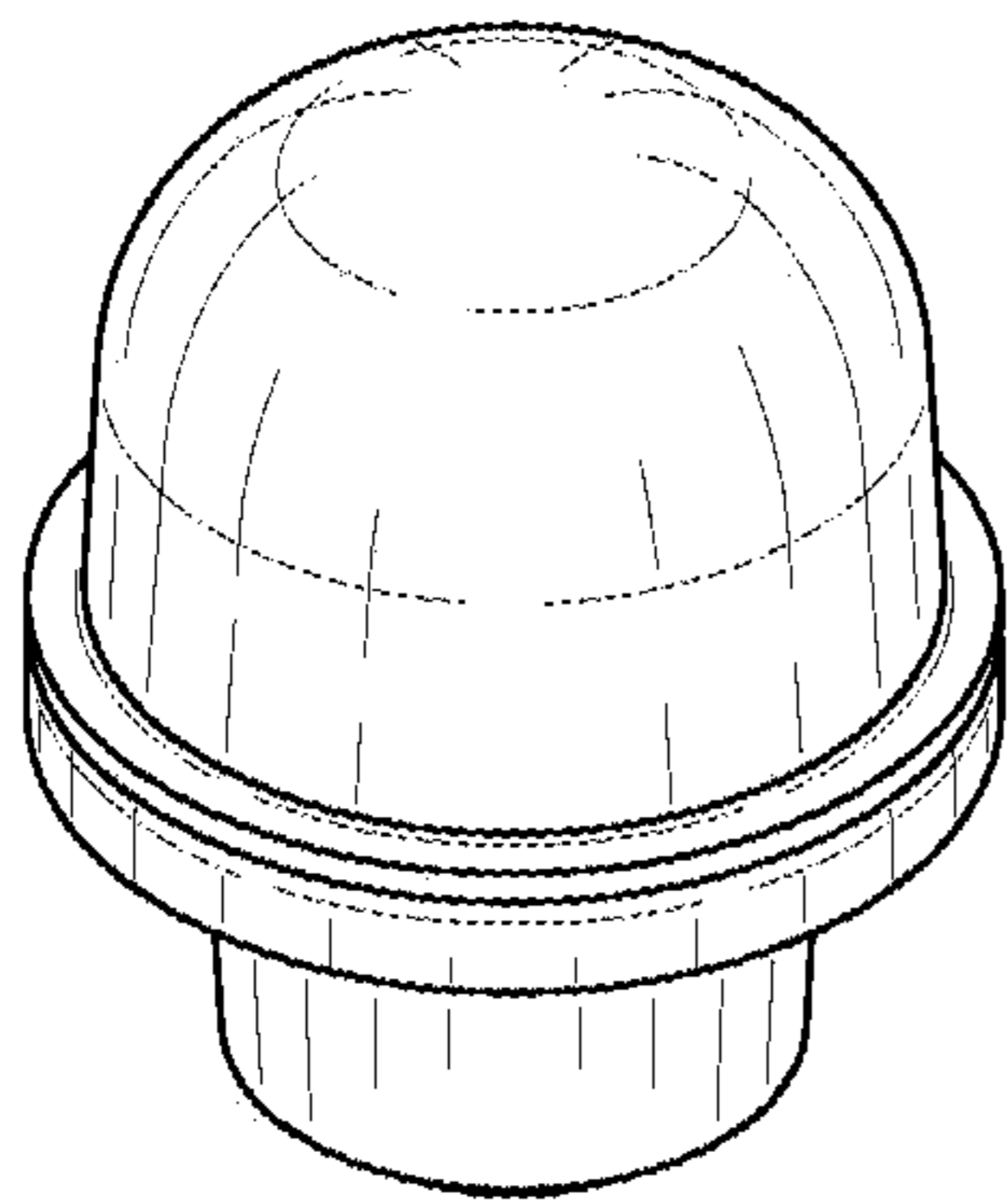


FIG. 5

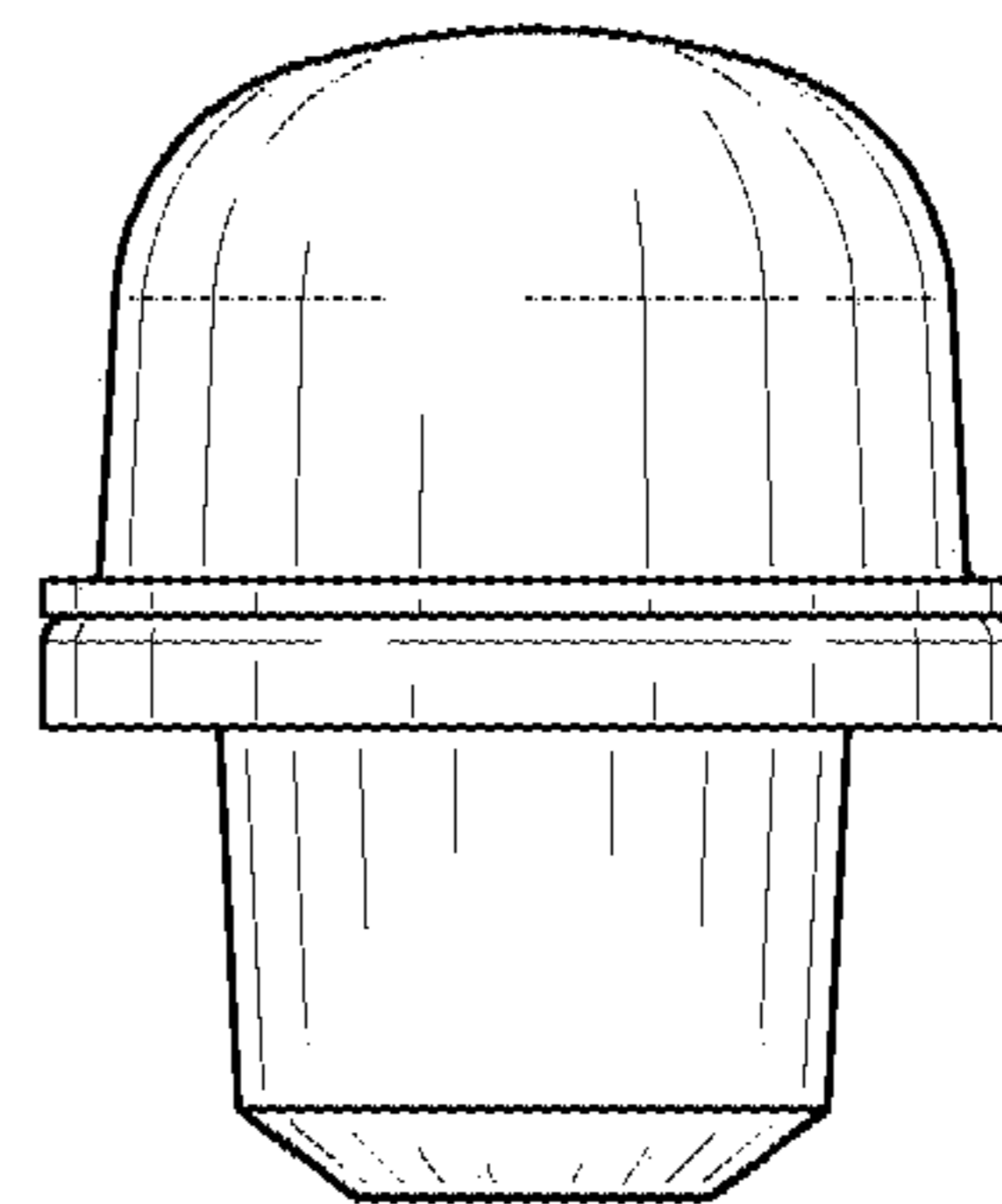


FIG. 7

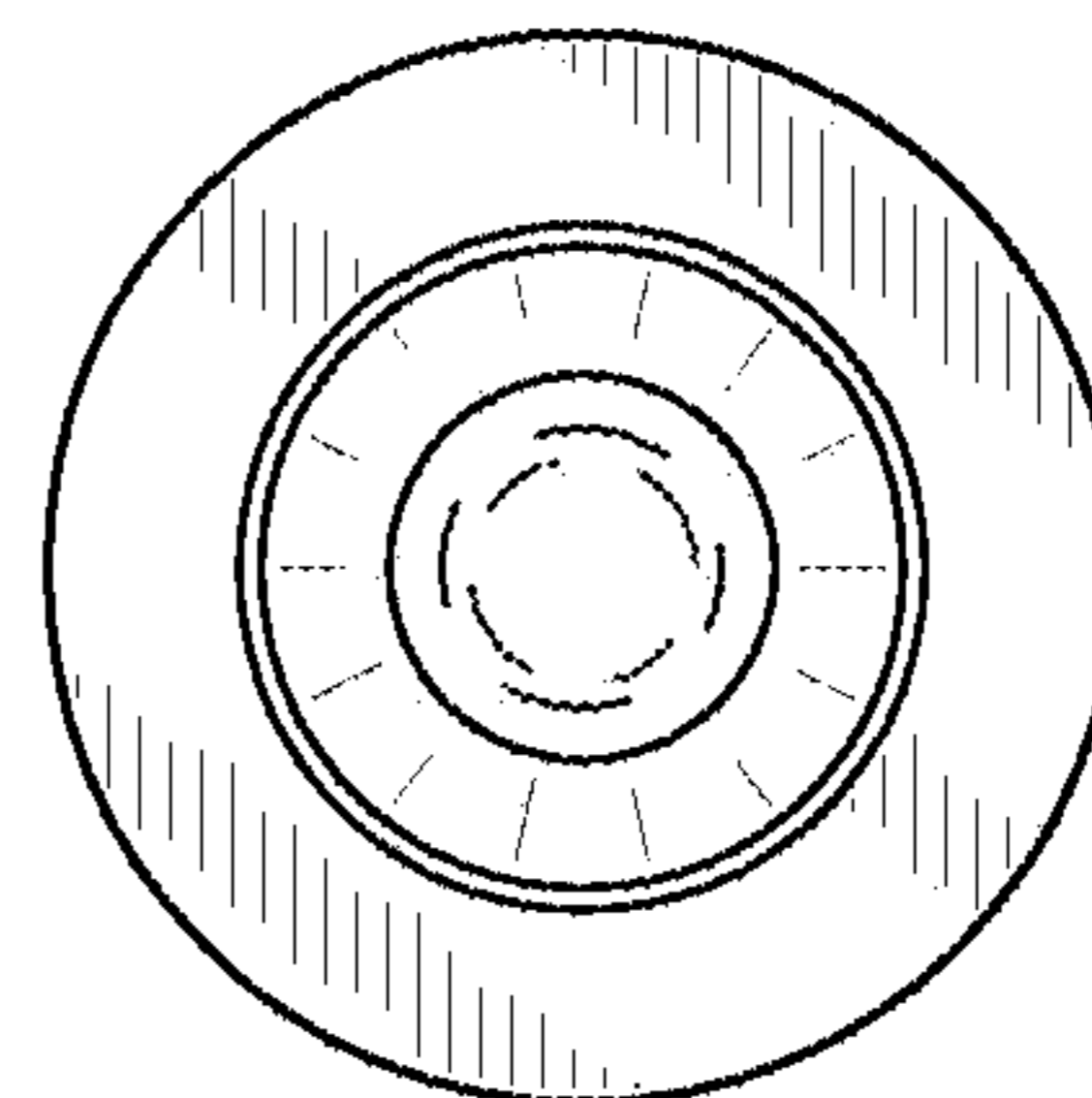


FIG. 8

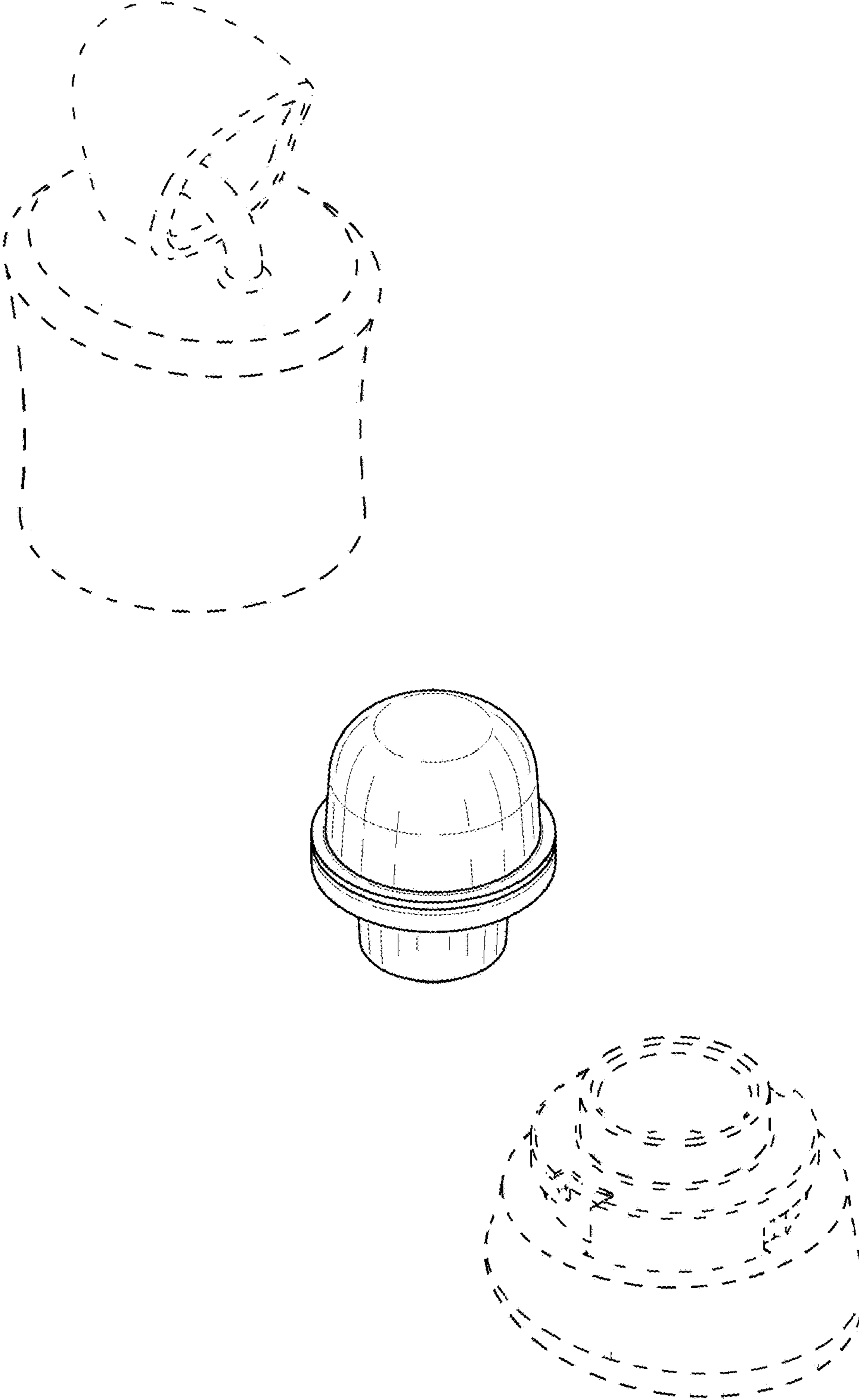


FIG. 9