



US00D837652S

(12) **United States Design Patent**  
**George**

(10) **Patent No.:** **US D837,652 S**  
(45) **Date of Patent:** **\*\* Jan. 8, 2019**

- (54) **BEVERAGE CONTAINER**
- (71) Applicant: **Pacific Market International, LLC**,  
Seattle, WA (US)
- (72) Inventor: **Sarah Danger George**, Vashon, WA  
(US)
- (73) Assignee: **Pacific Market International, LLC**,  
Seattle, WA (US)

- D260,239 S 8/1981 Barrash
- D272,324 S 1/1984 Mumford
- D289,260 S \* 4/1987 Weckman ..... D9/501
- 4,883,192 A 11/1989 Krugman
- D363,990 S \* 11/1995 Dunn ..... D24/197
- D463,281 S 9/2002 Druitt
- D478,286 S 8/2003 Futral
- D478,287 S 8/2003 Corker
- D483,149 S 12/2003 Angeletta

- (\*\*) Term: **15 Years**
- (21) Appl. No.: **29/562,205**
- (22) Filed: **Apr. 22, 2016**

**Related U.S. Application Data**

- (63) Continuation of application No. 29/491,976, filed on  
May 27, 2014, now Pat. No. Des. 765,511.
- (51) **LOC (11) Cl.** ..... **09-01**
- (52) **U.S. Cl.**  
USPC ..... **D9/516; D9/500**
- (58) **Field of Classification Search**  
USPC ..... D9/434-435, 452, 454, 500, 502-504,  
D9/516, 530, 537-540, 544-545, 549,  
D9/557-558, 715, 719; D7/300-300.1,  
D7/317, 509-511, 523, 601-602, 608,  
D7/629-630; D24/197  
CPC ..... B65D 1/00; B65D 1/02; B65D 1/0223;  
B65D 23/00; B65D 83/00; B65D 91/00;  
B65D 91/02; B65D 2501/00; B65D  
2501/0009; B65D 2501/0018  
See application file for complete search history.

(56) **References Cited**

**U.S. PATENT DOCUMENTS**

- 3,779,298 A 12/1973 Piccirilli
- D230,133 S 1/1974 Weckman
- 3,967,995 A \* 7/1976 Fabianic ..... B65B 21/245  
156/198
- D256,991 S 9/1980 Strand

**OTHER PUBLICATIONS**

“Cafe To-Go Water Bottle 20oz,” aladdin-pmi.com, 2 pages, retrived  
Jan. 14, 2016, <[http://www.aladdin-pmi.com/store/aladdin/en\\_US/pd/productID.325797500](http://www.aladdin-pmi.com/store/aladdin/en_US/pd/productID.325797500)>.

(Continued)

*Primary Examiner* — Dana Meyrow

(74) *Attorney, Agent, or Firm* — George C. Rondeau, Jr.;  
Davis Wright Tremaine LLP

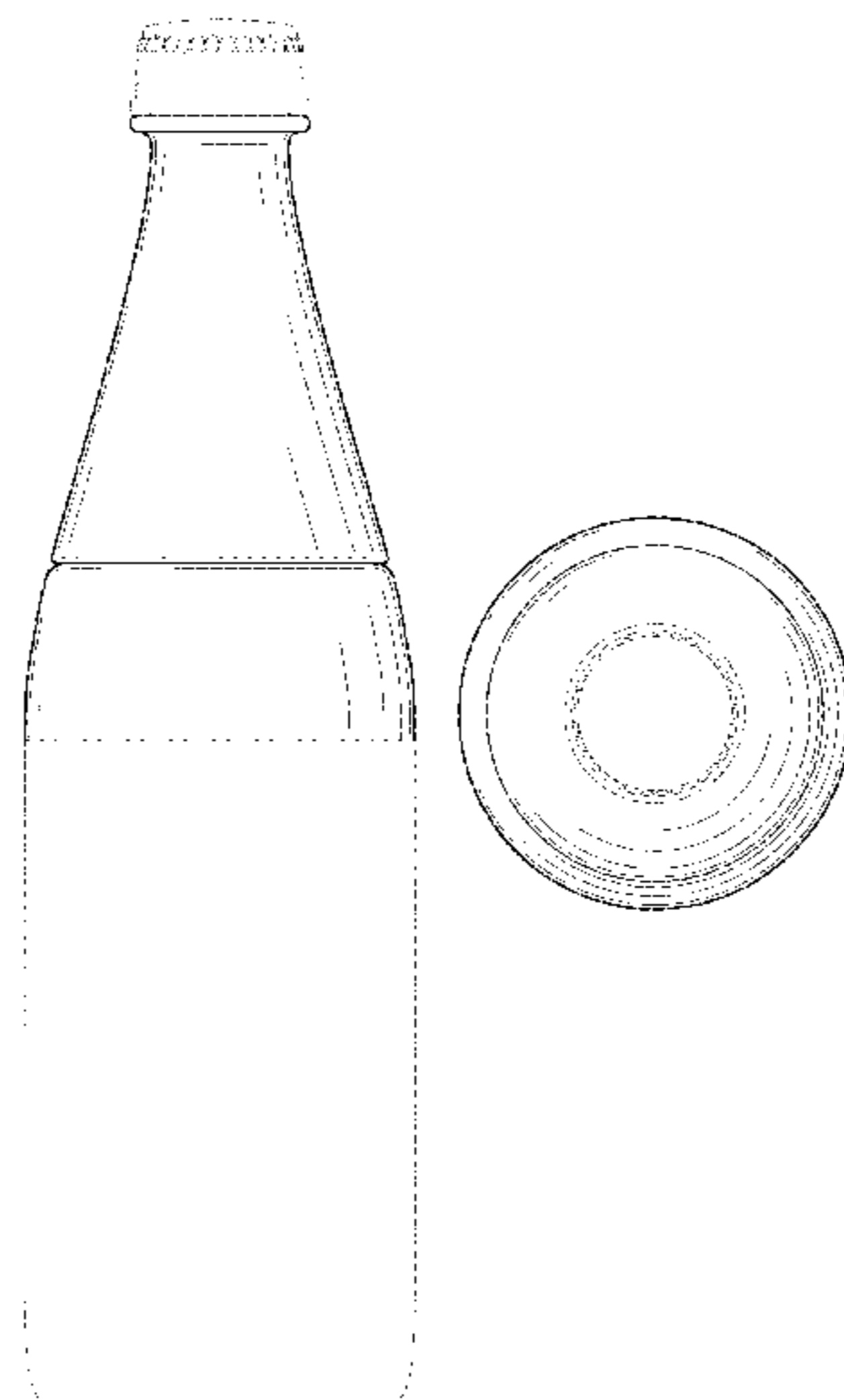
(57) **CLAIM**

The ornamental design for a beverage container, as shown  
and described.

**DESCRIPTION**

FIG. 1 is a top perspective view of a beverage container  
showing my new design.  
FIG. 2 is a front elevational view thereof.  
FIG. 3 is a rear elevational view thereof.  
FIG. 4 is a left side elevational view thereof.  
FIG. 5 is a right side elevational view thereof.  
FIG. 6 is a top plan view thereof; and,  
FIG. 7 is a bottom plan view thereof.  
The evenly-dashed broken lines in the drawings illustrate the  
portions of the beverage container that form no part of the  
claim. The dot-dash broken lines in the drawings define the  
bounds of the claim and form no part thereof.

**1 Claim, 6 Drawing Sheets**



(56)

**References Cited**

U.S. PATENT DOCUMENTS

D583,235	S	12/2008	Baughman	
D742,754	S	11/2015	Roth	
D743,270	S	11/2015	Roth	
D765,511	S	* 9/2016	George	..... D7/511
D787,269	S	* 5/2017	Santos	..... D9/449
D796,331	S	* 9/2017	Eyal	..... D9/500
D799,900	S	* 10/2017	Santos	..... D7/510

OTHER PUBLICATIONS

“Aladdin Care To-Go,” Blog: Housewares Show Previewed in NYC, HFNdigital.con, posted Jan. 23, 2014, 4 pages, <<http://www.hfndigital.com/opinions/blog-housewaresshow-previewed-in-nyc/>>.

\* cited by examiner

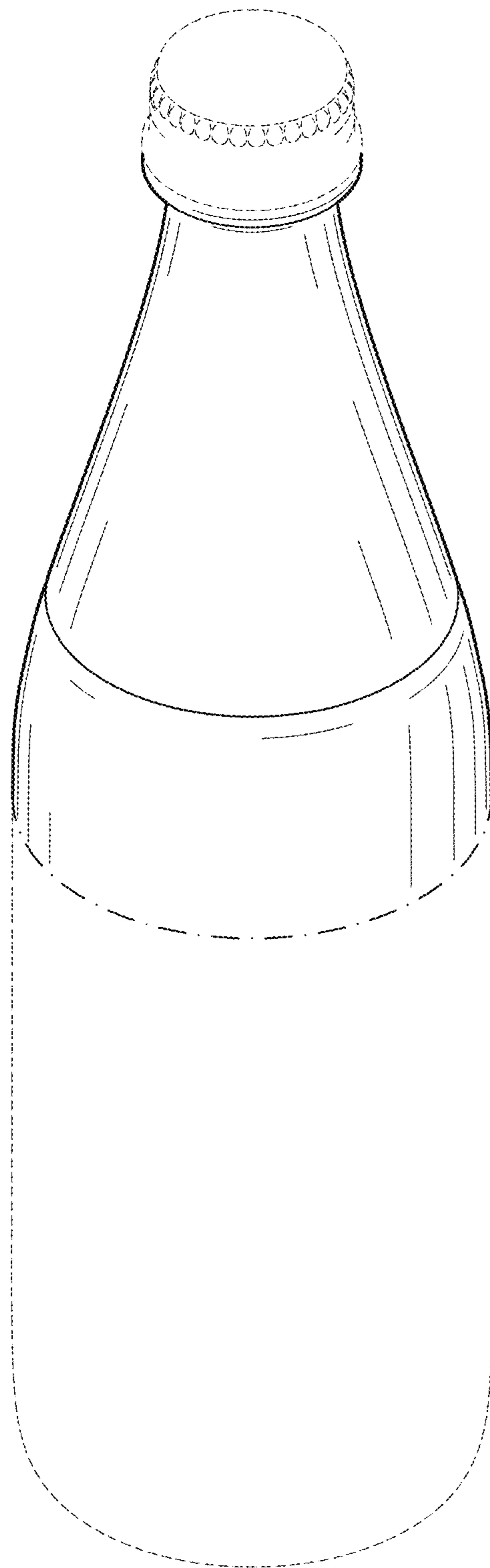


FIG. 1

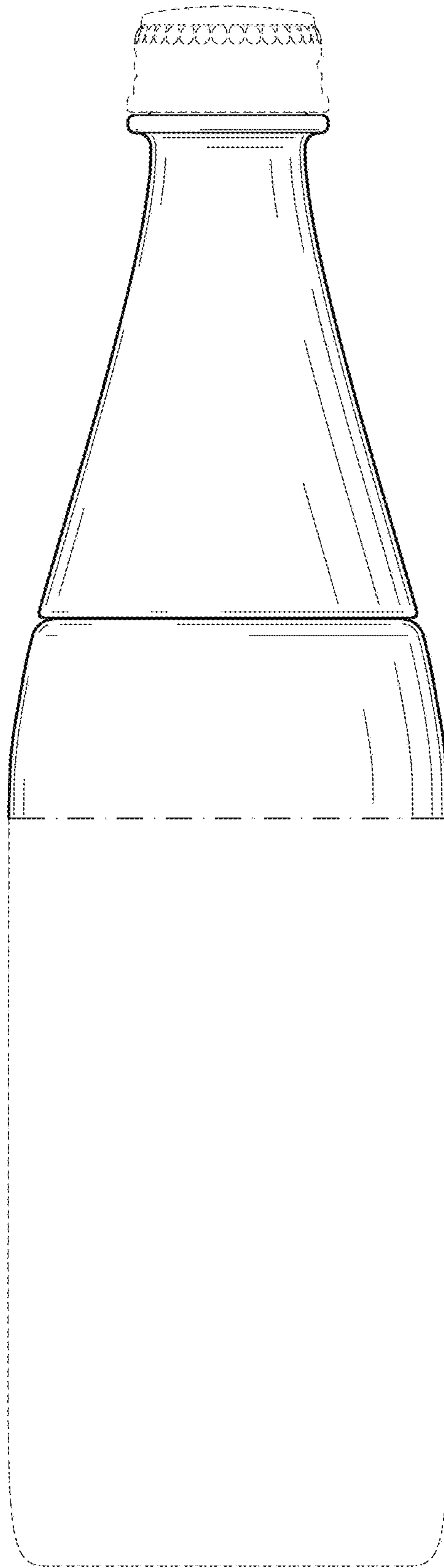


FIG. 2

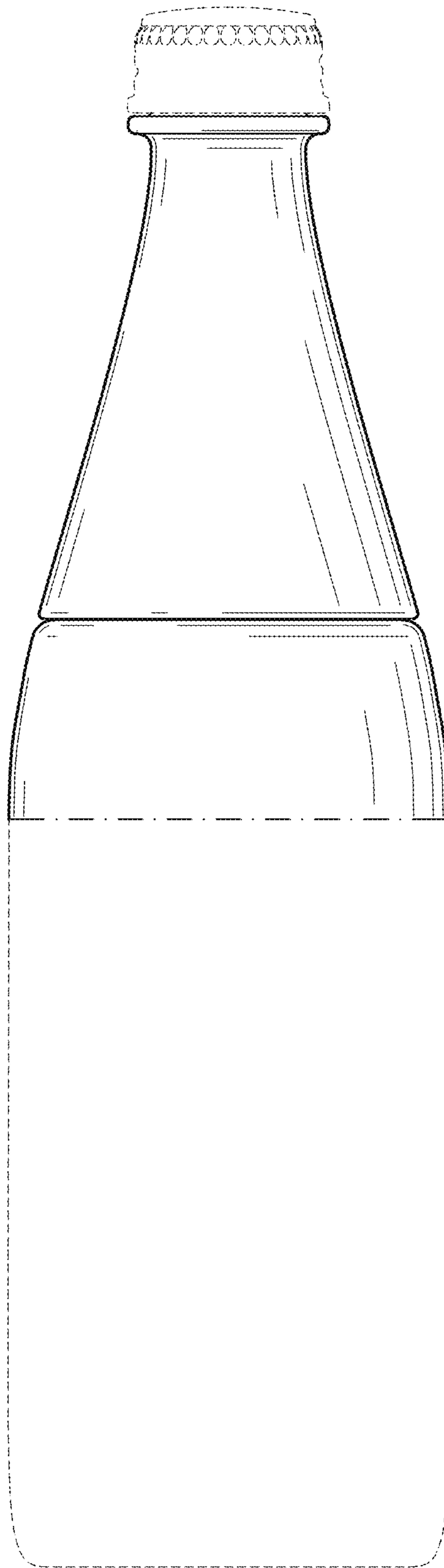


FIG. 3

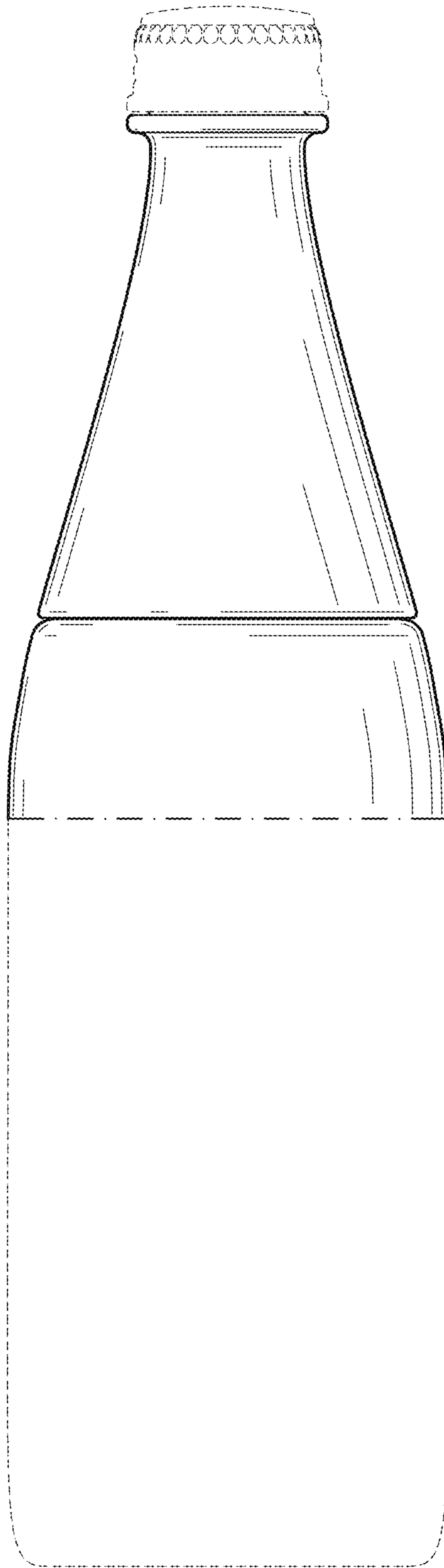


FIG. 4

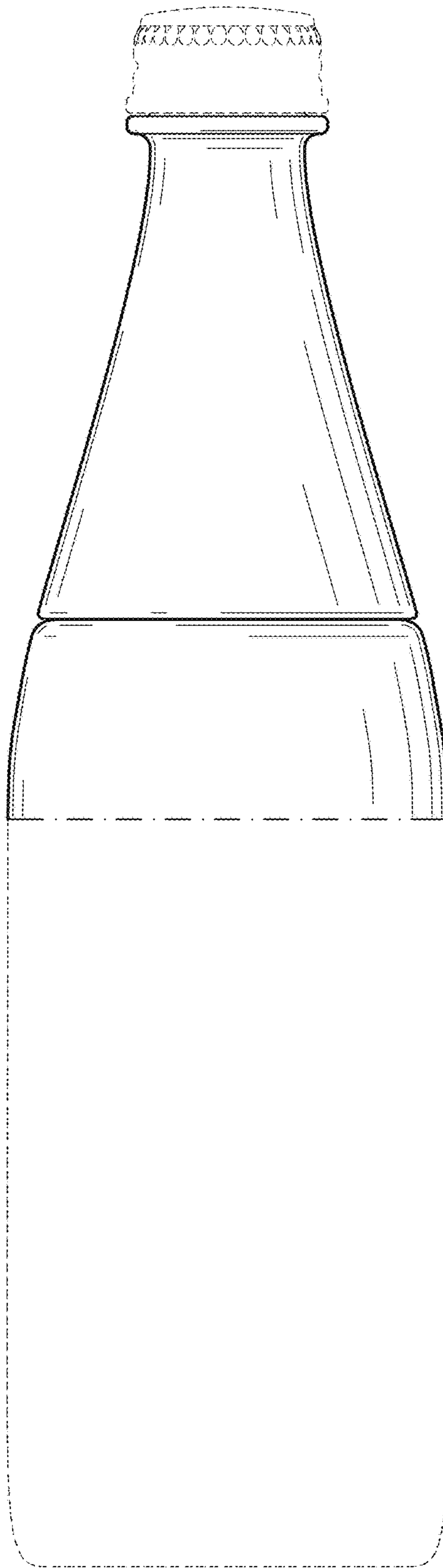


FIG. 5

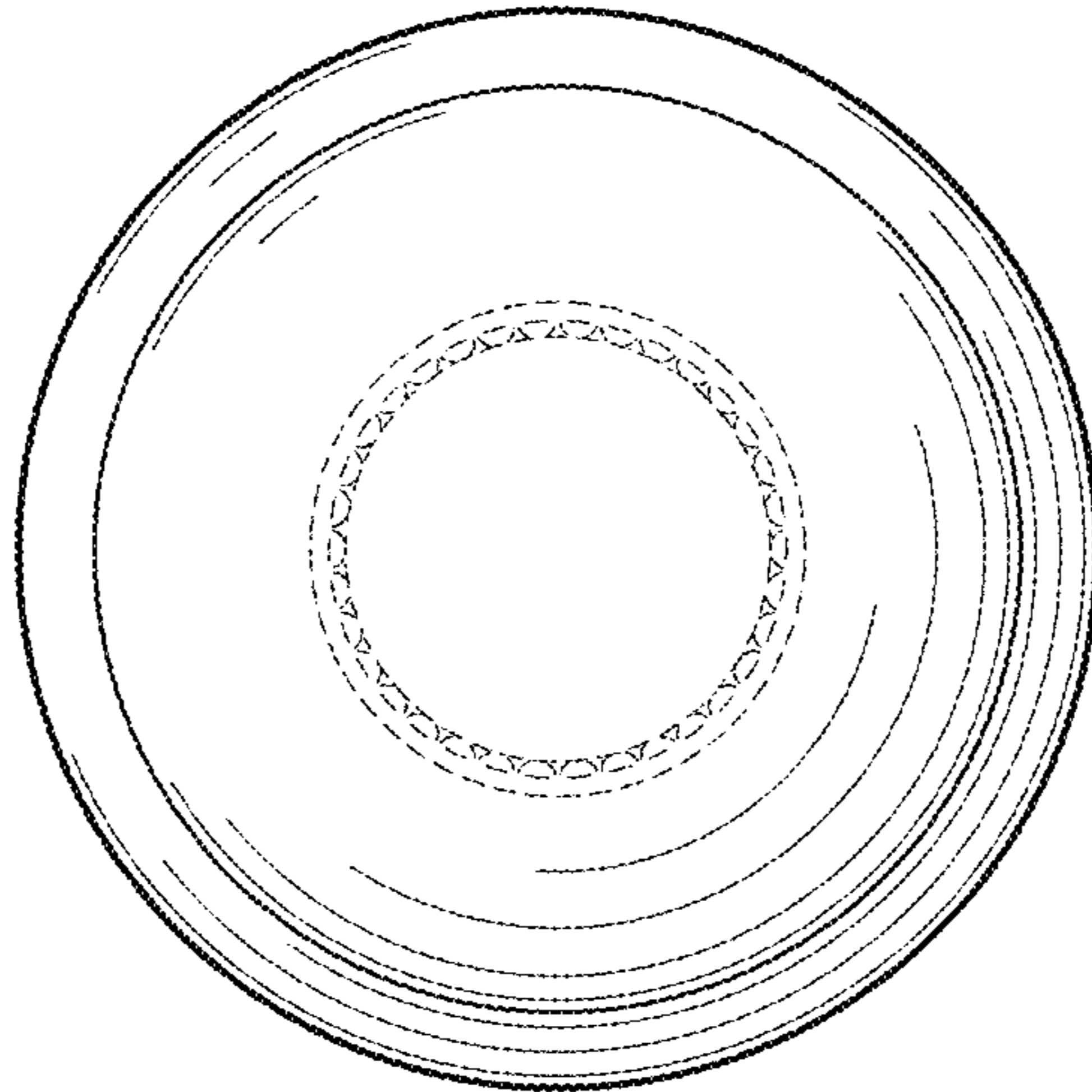


FIG. 6

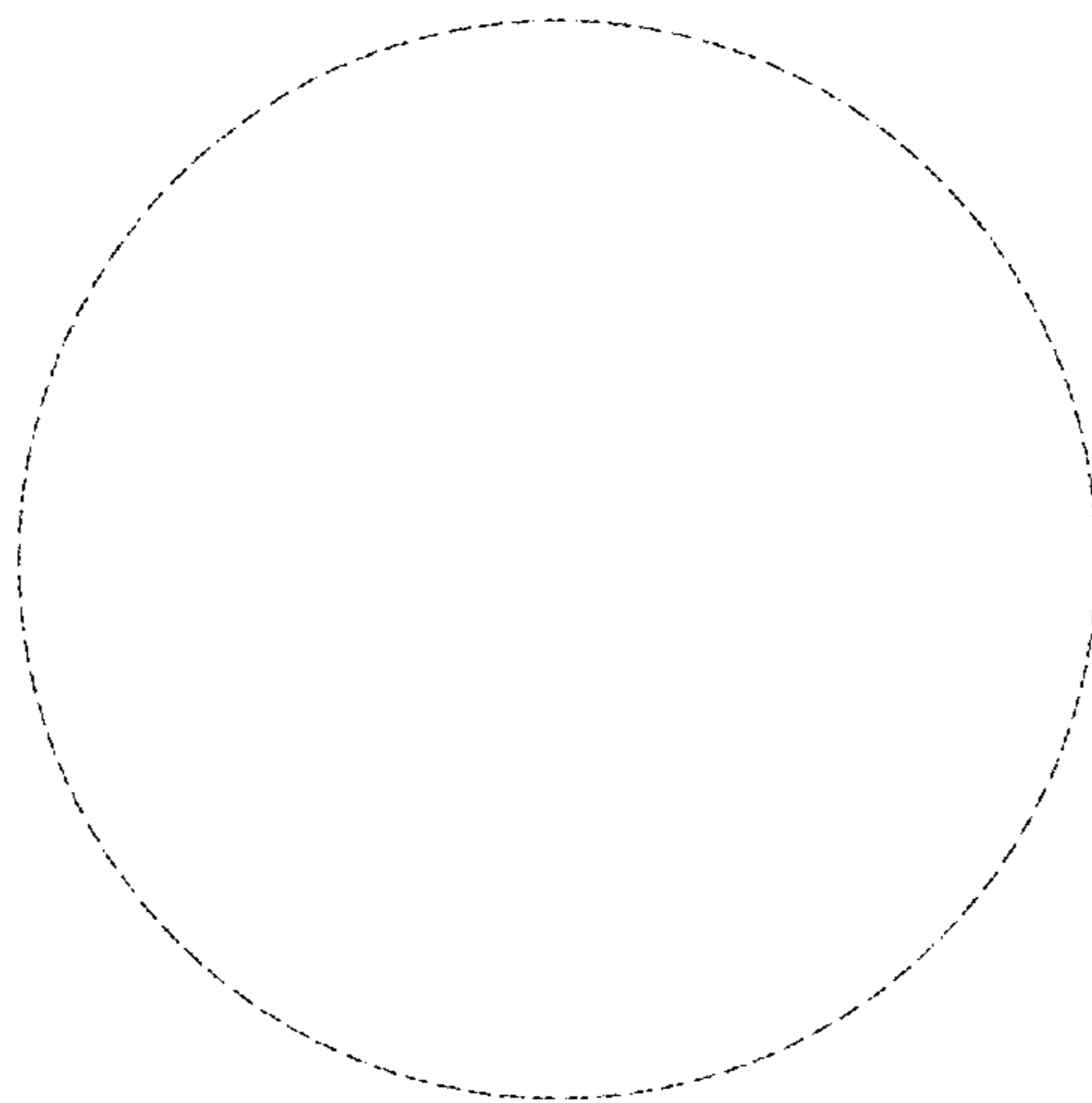


FIG. 7