



US00D837650S

(12) **United States Design Patent** (10) **Patent No.:** **US D837,650 S**  
**Rognard** (45) **Date of Patent:** **\*\* Jan. 8, 2019**

(54) **CLOSURE FOR PACKAGING**

(71) Applicant: **Obrist Closures Switzerland GmbH**,  
Reinach (CH)

(72) Inventor: **Jean-Yves Rognard**, Marcy-sur-Anse  
(FR)

(73) Assignee: **Obrist Closures Switzerland GmbH**,  
Reinach (CH)

(\*\*) Term: **15 Years**

(21) Appl. No.: **29/560,655**

(22) Filed: **Apr. 8, 2016**

(30) **Foreign Application Priority Data**

Oct. 9, 2015 (EM) ..... 002 817 296

(51) **LOC (11) Cl.** ..... **09-07**

(52) **U.S. Cl.**  
USPC ..... **D9/449**

(58) **Field of Classification Search**  
USPC ..... D9/428, 429, 434, 435, 442, 443,  
D9/445-450, 453-456, 499, 682, 684,  
D9/685, 726; D7/387, 388, 392, 392.1,  
D7/393, 396.2, 396.3, 396.4, 401.1, 408,  
D7/504, 507, 509-511, 538, 900;  
D3/202, 203.2, 318; D28/91.1  
CPC .. A61J 1/00; A61J 1/1412; B65D 1/00; B65D  
1/02; B65D 1/10; B65D 1/46; B65D  
2585/56; B65D 2585/545; B65D 41/00;  
B65D 41/38; B65D 41/56; B65D 41/62;  
B65D 47/00; B65D 47/06; B65D 47/08;  
B65D 2543/00046; B65D 2543/00092;  
B65D 2543/00296; B65D 5/46; B65D  
2251/00

See application file for complete search history.

(56) **References Cited**

U.S. PATENT DOCUMENTS

D472,144 S *	3/2003	Hierzer .....	D9/435
D480,305 S *	10/2003	Nusbaum .....	D9/435
D530,611 S *	10/2006	Nusbaum .....	D9/446
D556,575 S *	12/2007	Nusbaum .....	D9/446
D581,790 S *	12/2008	Hyde .....	D9/449
D582,276 S *	12/2008	Hyde .....	D9/453
D592,057 S *	5/2009	Guerin .....	D9/449
D619,003 S *	7/2010	Benoit-Gonin .....	D9/453
D625,605 S *	10/2010	Bardet .....	D9/449
D640,134 S *	6/2011	Rognard .....	D9/447
D672,651 S *	12/2012	Gregory .....	D9/443
D672,653 S *	12/2012	Antier .....	D9/443
D673,041 S *	12/2012	Antier .....	D9/443
D673,044 S *	12/2012	Wisniewski .....	D9/443
8,708,175 B2 *	4/2014	Smith .....	B65D 43/0235 215/235
D747,201 S *	1/2016	Pellerin .....	D9/449
D775,950 S *	1/2017	Rognard .....	D9/434

(Continued)

*Primary Examiner* — Michael A. Pratt

*Assistant Examiner* — Wendy L Arminio

(74) *Attorney, Agent, or Firm* — McCoy Russell LLP

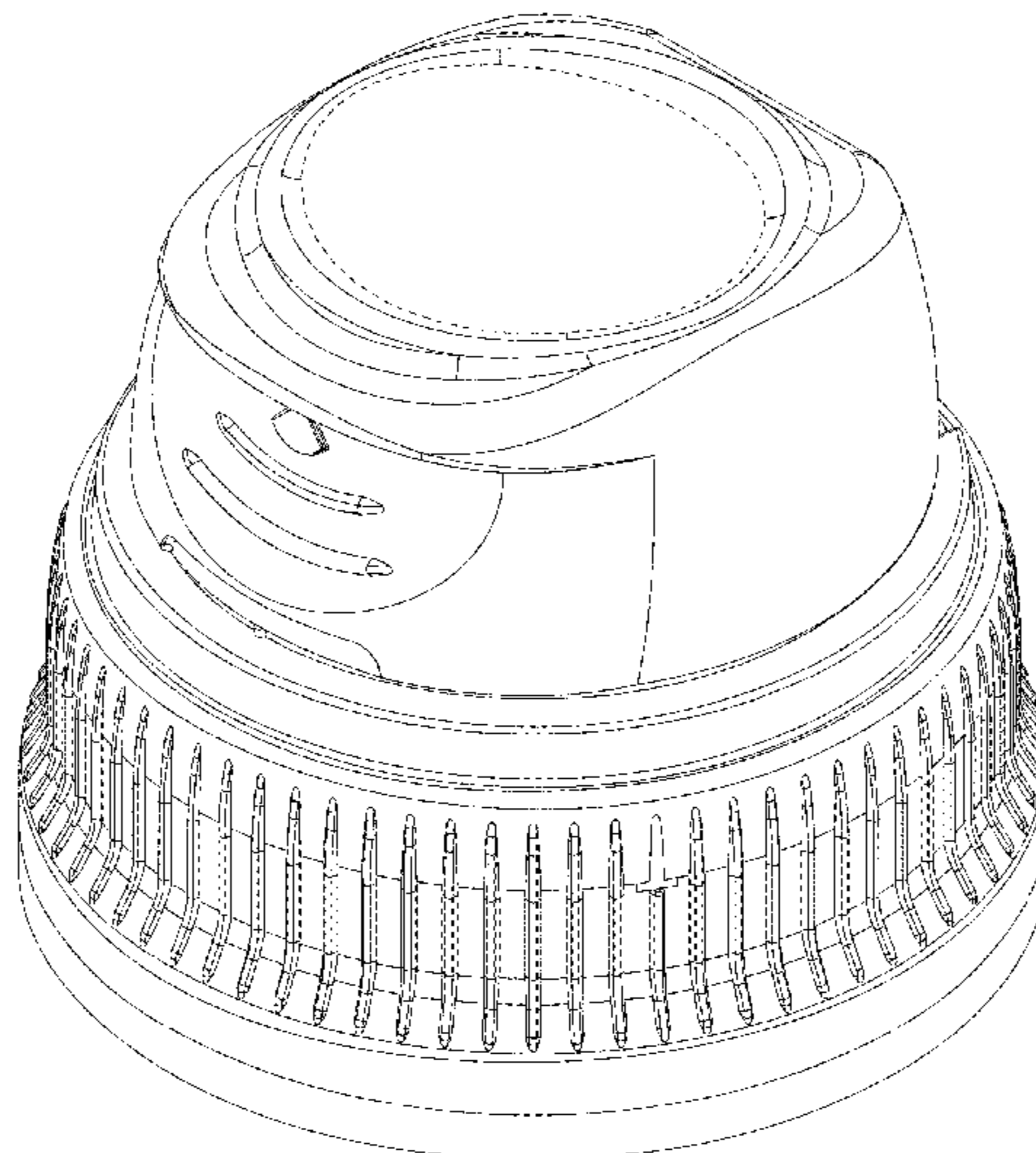
(57) **CLAIM**

The ornamental design for closure for packaging, as shown and described.

**DESCRIPTION**

FIG. 1 is a front-left perspective view of a closure for packaging according to the present disclosure.  
FIG. 2 is a rear-left perspective view thereof.  
FIG. 3 is a front view of the design thereof.  
FIG. 4 is a rear side view of the design.  
FIG. 5 is a left side view thereof.  
FIG. 6 is a right side view thereof.  
FIG. 7 is a top view thereof; and,  
FIG. 8 is a bottom view thereof.  
The broken lines depict portions of the closure for packaging that form no part of the claimed design.

**1 Claim, 8 Drawing Sheets**



(56)

**References Cited**

U.S. PATENT DOCUMENTS

2004/0188374 A1\* 9/2004 Ochoa Laburu ..... B65D 41/34  
215/235  
2005/0173367 A1\* 8/2005 Nusbaum ..... B65D 47/0828  
215/237  
2005/0173368 A1\* 8/2005 Nusbaum ..... B65D 47/0838  
215/237  
2011/0000928 A1\* 1/2011 Antier ..... B65D 47/0857  
220/801  
2011/0290755 A1\* 12/2011 Taber ..... B65D 41/00  
215/329  
2015/0375908 A1\* 12/2015 Rognard ..... B65D 47/0828  
215/235  
2016/0244219 A1\* 8/2016 Benoit-Gonin .... B65D 47/0804  
2017/0050773 A1\* 2/2017 Rognard ..... B65D 41/3428  
2017/0240326 A1\* 8/2017 Rognard ..... B65D 55/024

\* cited by examiner

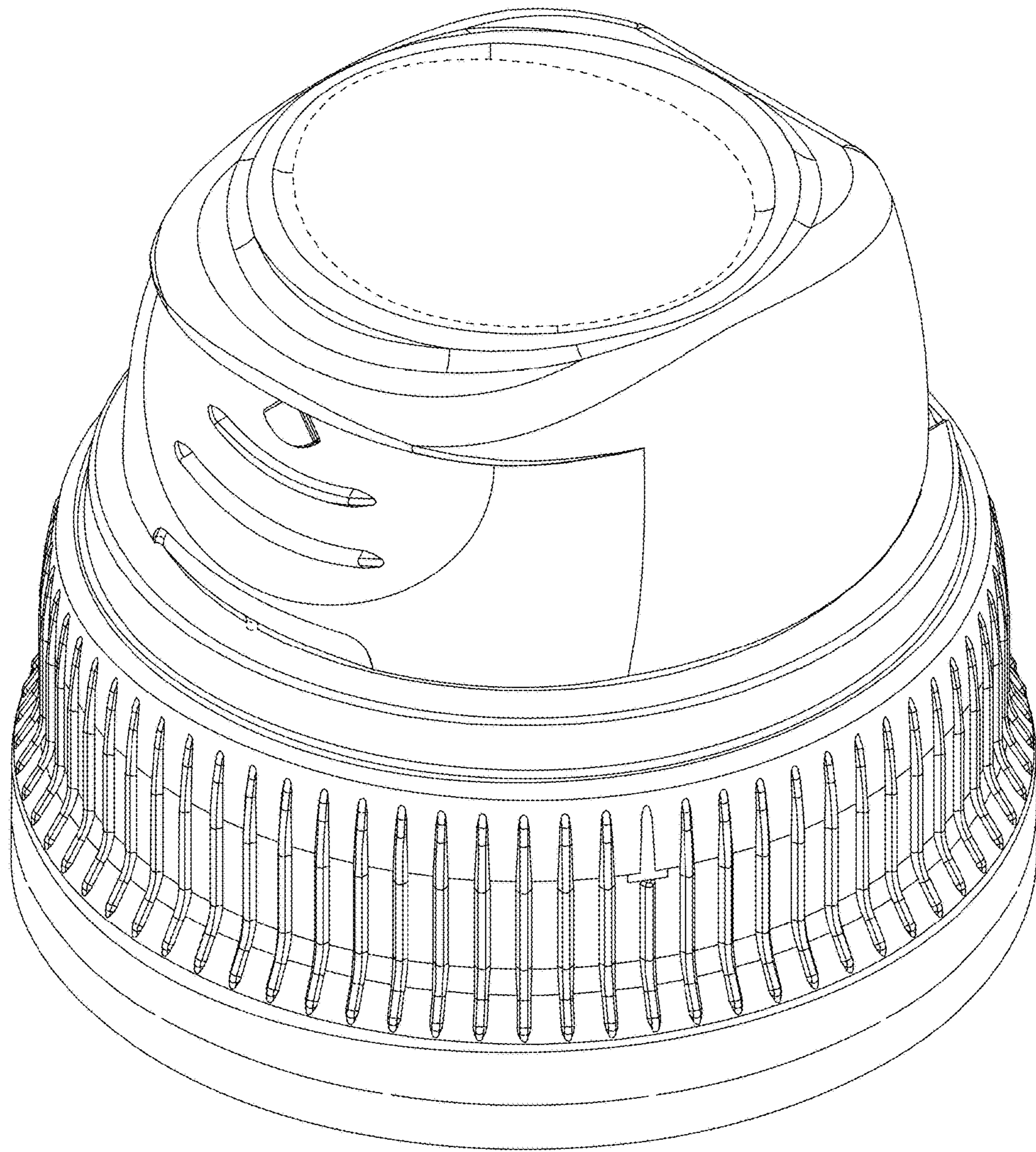


FIG. 1

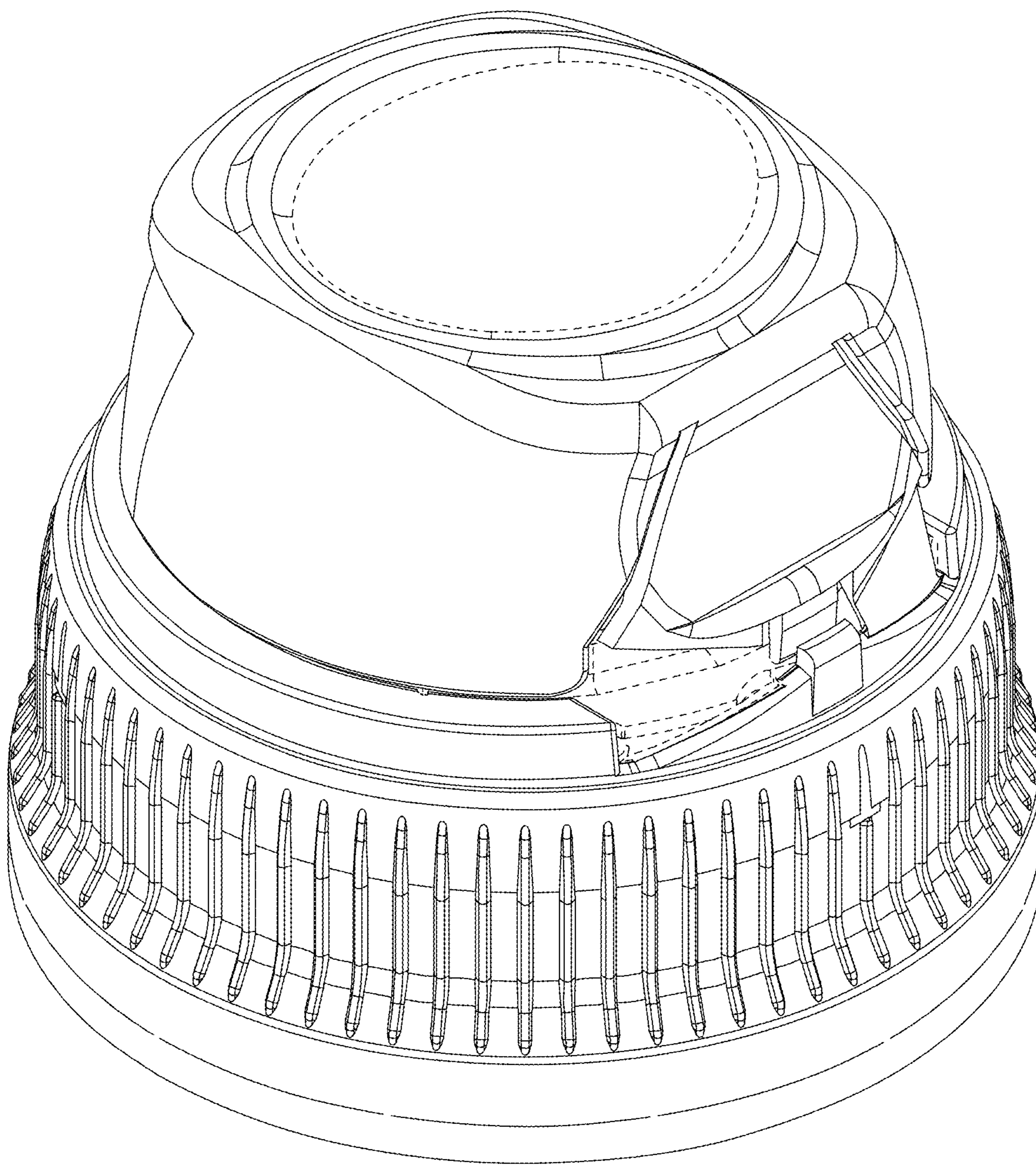


FIG. 2

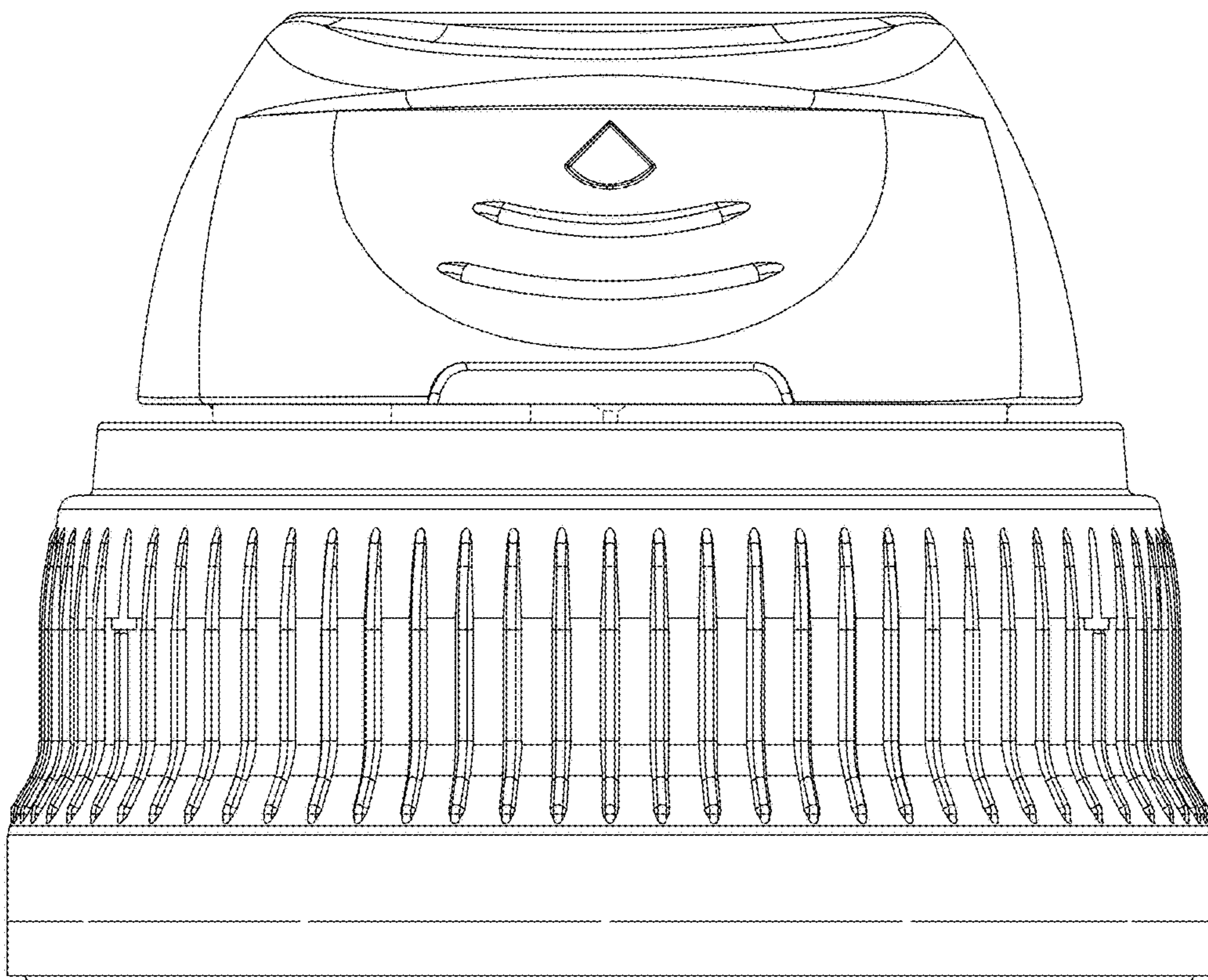


FIG. 3

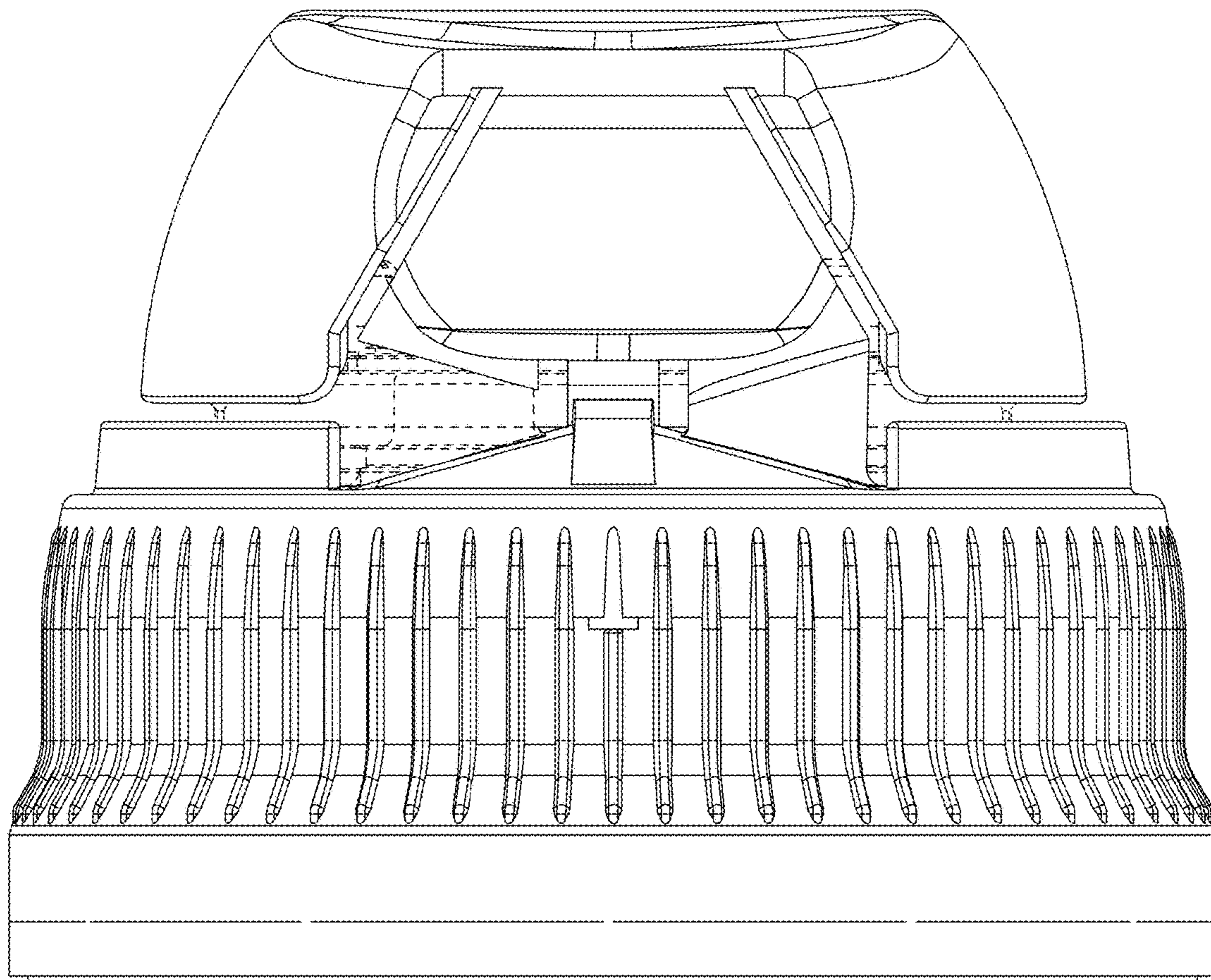


FIG. 4

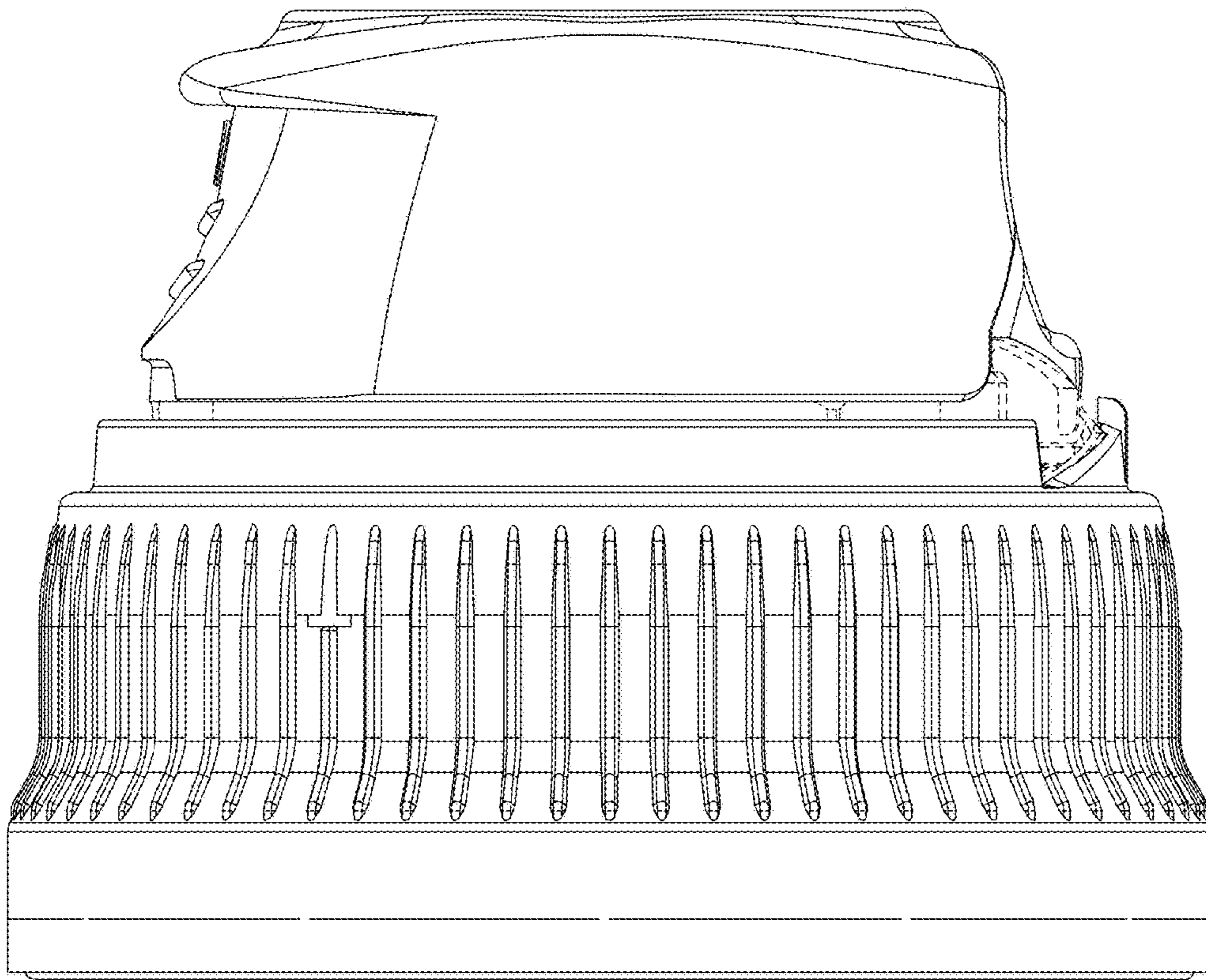


FIG. 5

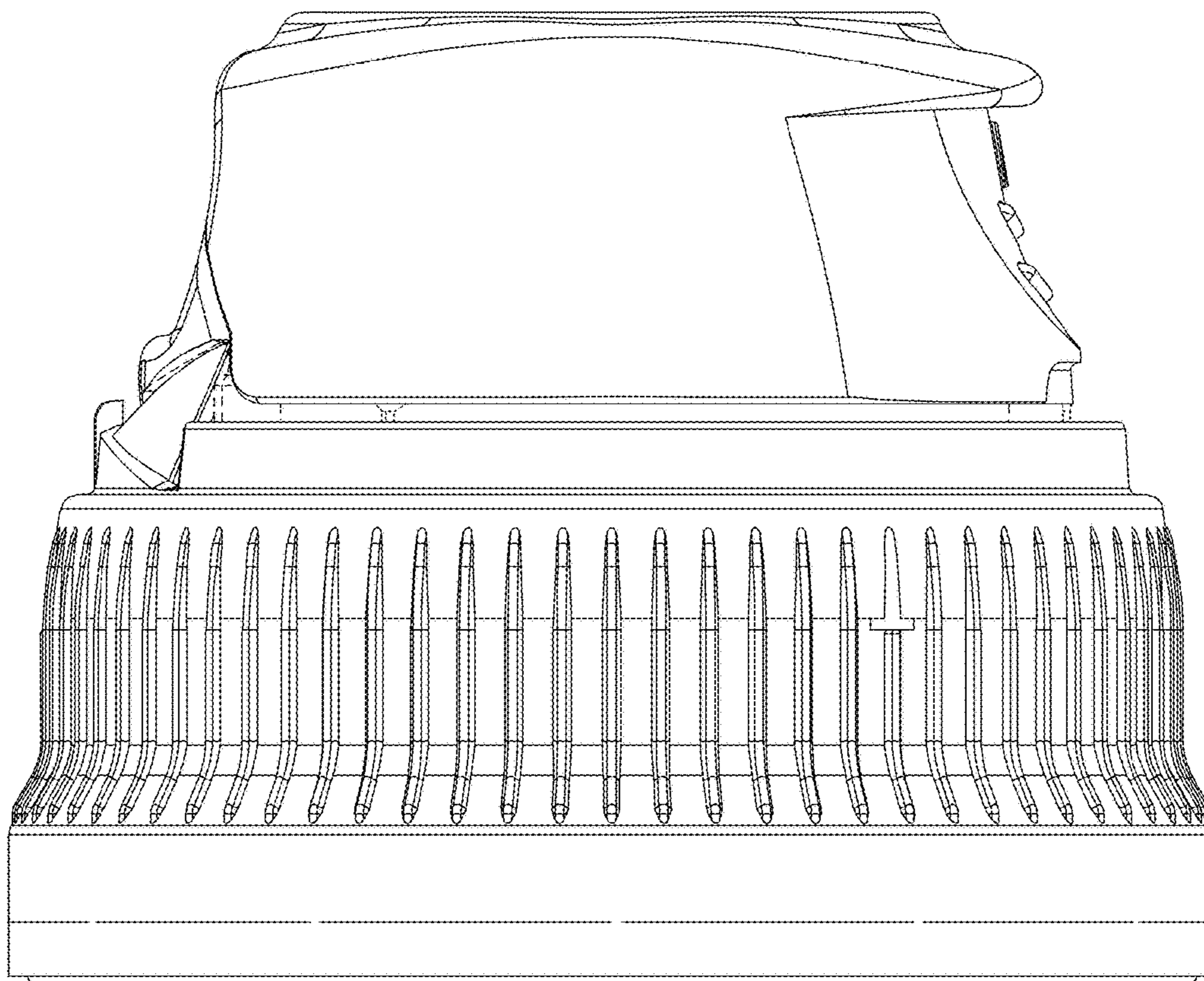


FIG. 6



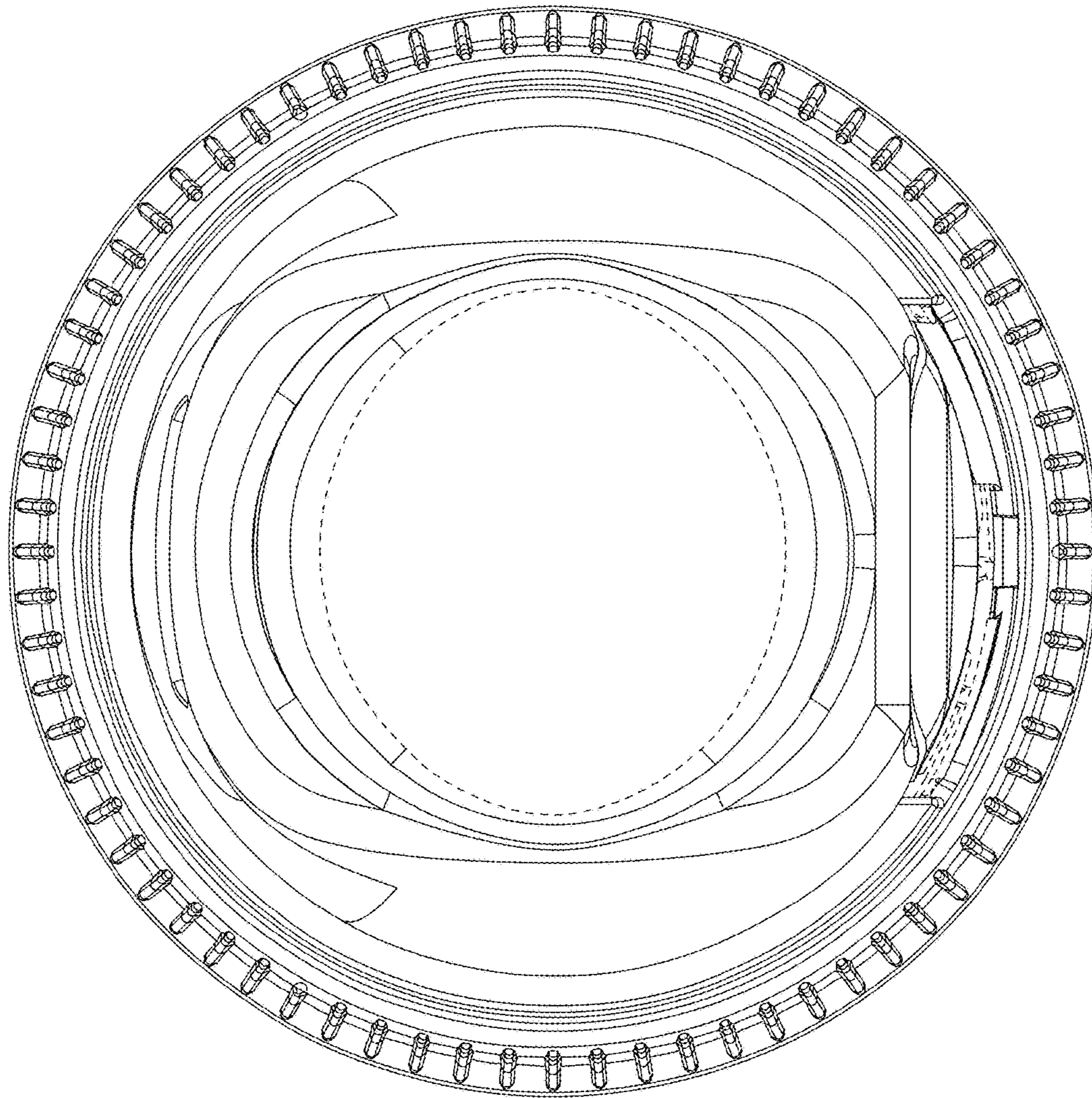


FIG. 7

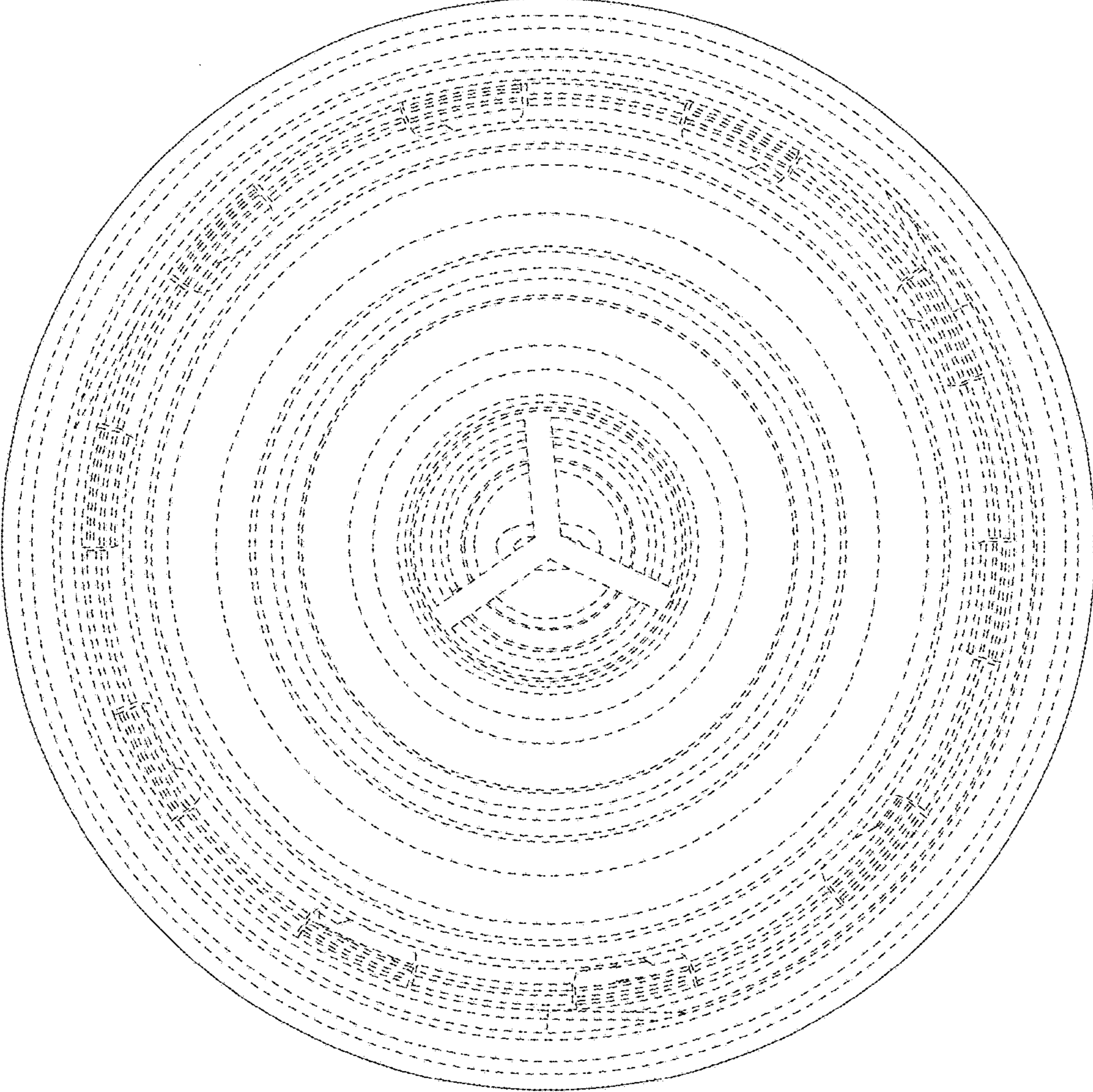


FIG. 8