



US00D837649S

(12) **United States Design Patent** (10) **Patent No.:** **US D837,649 S**  
**Alluigi et al.** (45) **Date of Patent:** **\*\* Jan. 8, 2019**

(54) **DUAL SPRAY DISPENSER**

D495,399 S \* 8/2004 Guala ..... D23/213  
D521,864 S \* 5/2006 Cartoni ..... D9/448  
D581,269 S \* 11/2008 Alluigi ..... D9/448

(71) Applicant: **THE CLOROX COMPANY**, Oakland, CA (US)

(Continued)

(72) Inventors: **Riccardo Alluigi**, Alessandria (IT);  
**German R. Gonzalez**, Pleasanton, CA (US)

*Primary Examiner* — Michael A. Pratt  
*Assistant Examiner* — Wendy L Arminio  
(74) *Attorney, Agent, or Firm* — Erin Collins

(73) Assignee: **The Clorox Company**, Oakland, CA (US)

(57) **CLAIM**

The ornamental design for a dual spray dispenser, as shown and described.

(\*\*) Term: **15 Years**

**DESCRIPTION**

(21) Appl. No.: **29/567,979**

The present application is related to U.S. patent application Ser. No. 15/132,025, filed Apr. 18, 2016 and entitled “Dual Chamber Spray Dispenser”, and U.S. Pat. application Ser. No. 14/683,232, filed Apr. 10, 2015 and entitled “Trigger-Dispensing Device for Two or More Liquids”, which both claim the benefit of Italian Patent Application Serial No. BS2014A000085, filed Apr. 18, 2014. The disclosure of each of the above patent applications is incorporated by reference in its entirety.

(22) Filed: **Jun. 14, 2016**

(51) **LOC (11) Cl.** ..... **09-07**

(52) **U.S. Cl.**  
USPC ..... **D9/448**

(58) **Field of Classification Search**  
USPC ..... D9/434, 435, 442, 443, 445–450, 453,  
D9/499, 682, 684, 685, 686; D7/387,  
D7/392, 392.1; D23/213  
CPC .. A61J 1/00; A61J 1/1412; B65D 1/00; B65D  
1/02; B65D 1/10; B65D 1/46; B65D  
2585/56; B65D 2585/545; B65D 41/00;  
B65D 41/38; B65D 41/56; B65D 41/62;  
B65D 47/00; B65D 47/06; B65D 47/08;  
B65D 2543/00046; B65D 2543/00092;  
B65D 2543/00296; B65D 5/46; B65D  
2251/00

See application file for complete search history.

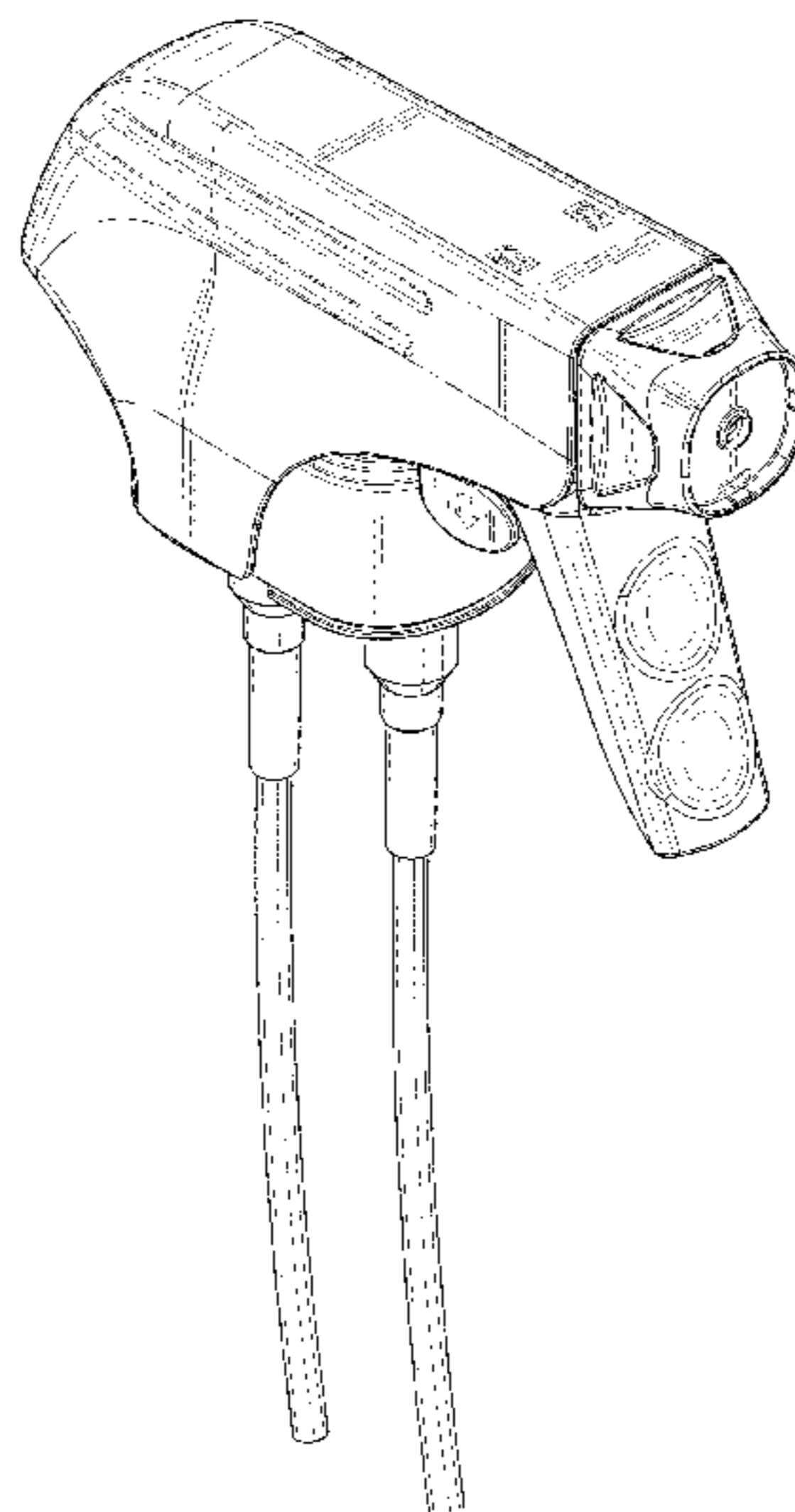
FIG. 1 is a top perspective view of a dual spray dispenser. FIG. 2 is a bottom perspective view of the dual spray dispenser shown in FIG. 1. FIG. 3 is a first side view of the dual spray dispenser shown in FIG. 1. FIG. 4 is a second, opposite side view of the dual spray dispenser shown in FIG. 1. FIG. 5 is a rear view of the dual spray dispenser shown in FIG. 1. FIG. 6 is a front view of the dual spray dispenser shown in FIG. 1. FIG. 7 is a top plan view of the dual spray dispenser shown in FIG. 1; and, FIG. 8 is a bottom plan view of the dual spray dispenser shown in FIG. 1. Any broken lines in the Figures depict portions of the dual spray dispenser, that are not part of the claimed design.

(56) **References Cited**

**U.S. PATENT DOCUMENTS**

D321,315 S \* 11/1991 Halm ..... D9/685  
D400,102 S \* 10/1998 Tada ..... D9/448  
D421,388 S \* 3/2000 Cummings ..... D9/448  
D439,164 S \* 3/2001 Keung ..... D9/448  
D463,972 S \* 10/2002 Perrin ..... D9/530

**1 Claim, 7 Drawing Sheets**



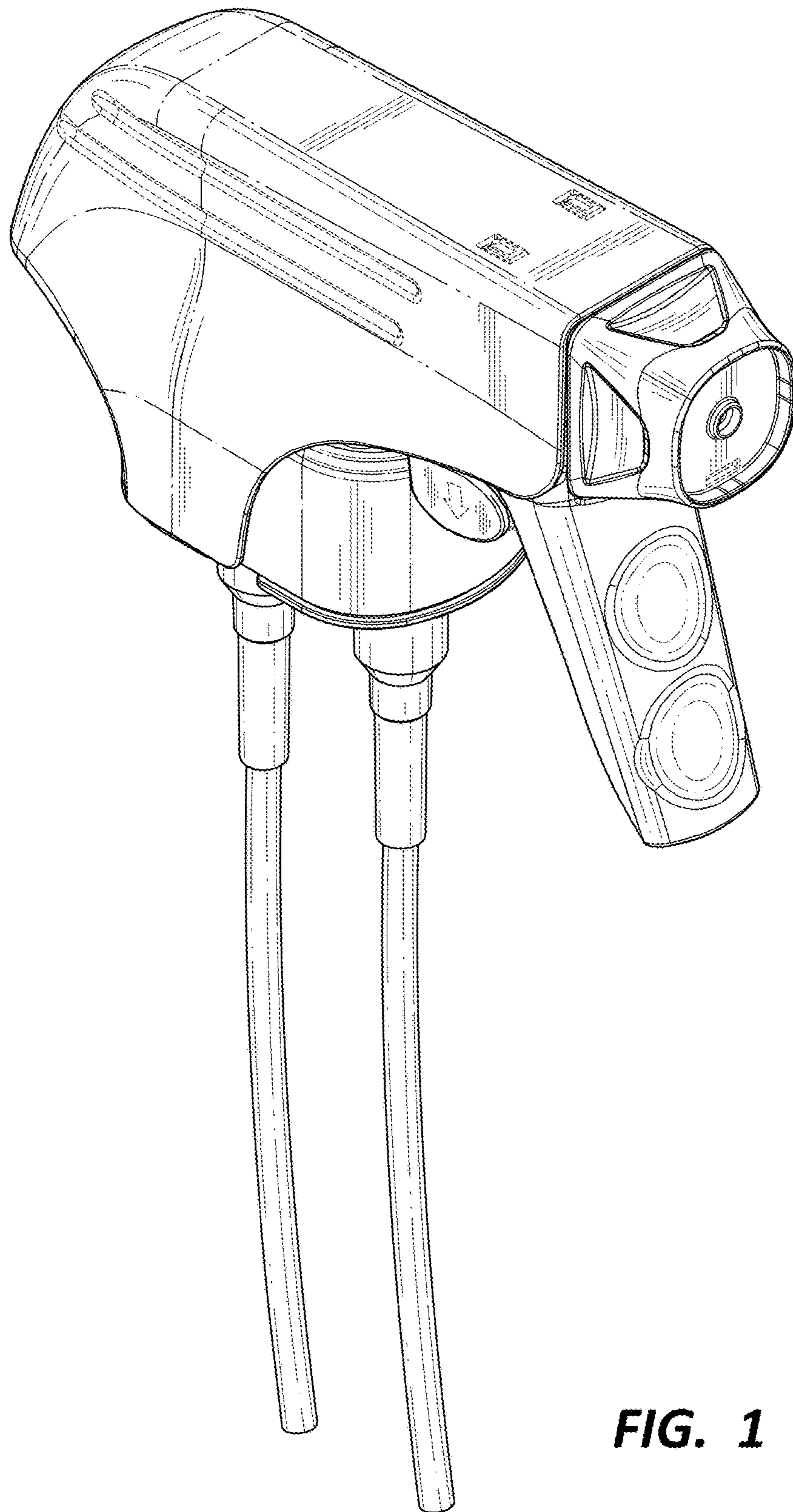
(56)

**References Cited**

U.S. PATENT DOCUMENTS

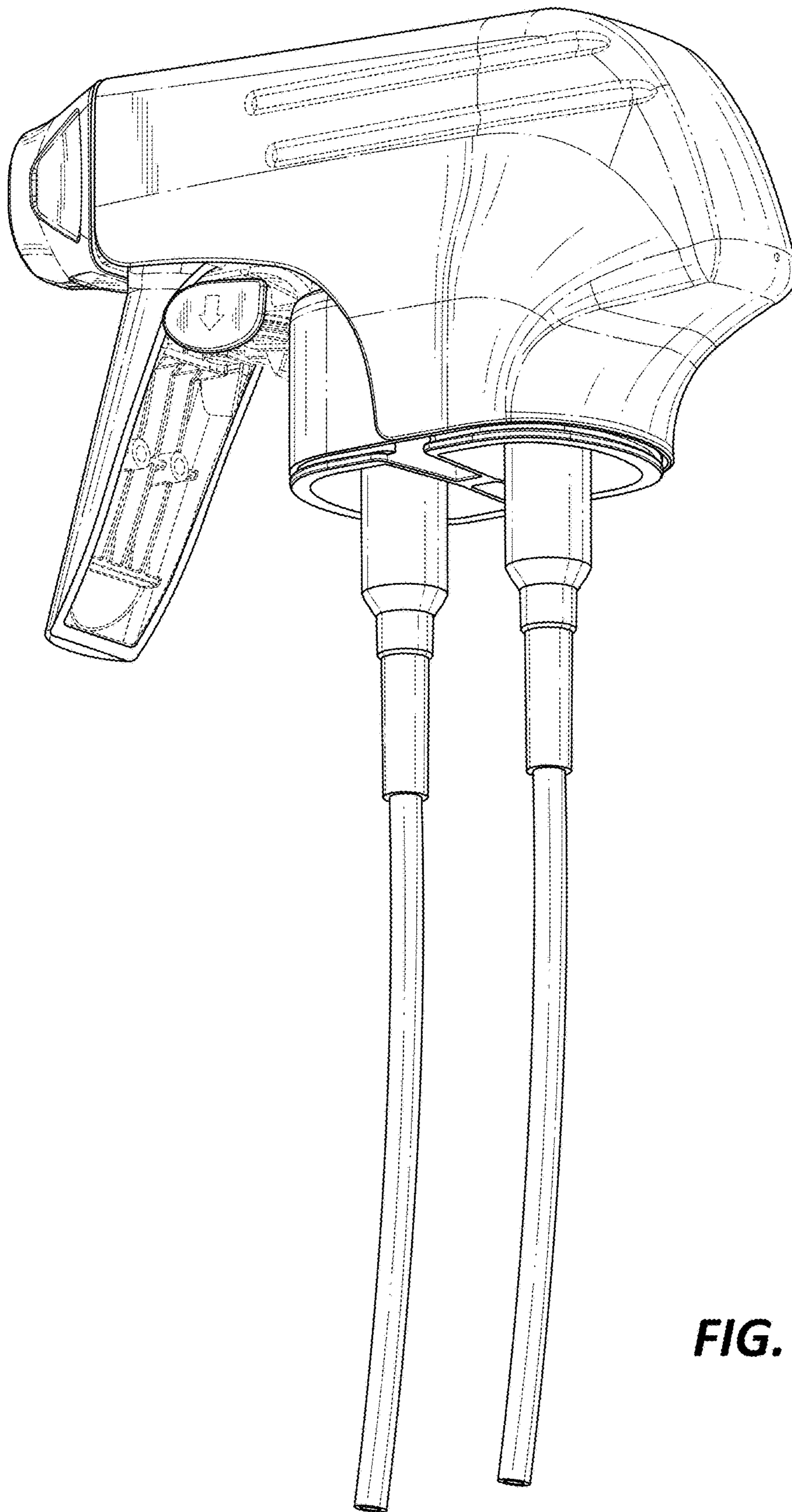
D582,768	S *	12/2008	Cantoni	.....	D9/448
D582,770	S *	12/2008	Turchi	.....	D9/448
D583,233	S *	12/2008	Cantoni	.....	D9/448
D587,574	S *	3/2009	Cantoni	.....	D9/448
D596,938	S *	7/2009	Broadbent	.....	D9/448
D601,897	S *	10/2009	Contiero	.....	D9/448
D625,187	S *	10/2010	McCay	.....	D9/448
D625,188	S *	10/2010	Rech	.....	D9/448
D635,034	S *	3/2011	Burgeson	.....	D9/566
D685,268	S *	7/2013	Gill	.....	D9/448
8,562,907	B2 *	10/2013	Green	.....	A01N 31/02 134/84
D795,082	S *	8/2017	Gonzalez	.....	D9/742
9,931,656	B2 *	4/2018	Gonzalez	.....	B05B 11/3084
9,931,657	B2 *	4/2018	Gonzalez	.....	B05B 11/3059
2011/0272494	A1	11/2011	Richardson et al.		
2015/0298149	A1 *	10/2015	Alluigi	.....	B05B 11/007 222/135
2016/0228899	A1 *	8/2016	Gonzalez	.....	B05B 11/3084
2016/0228900	A1 *	8/2016	Gonzalez	.....	B05B 11/3084
2017/0043364	A1 *	2/2017	Alluigi	.....	B05B 11/0064

\* cited by examiner

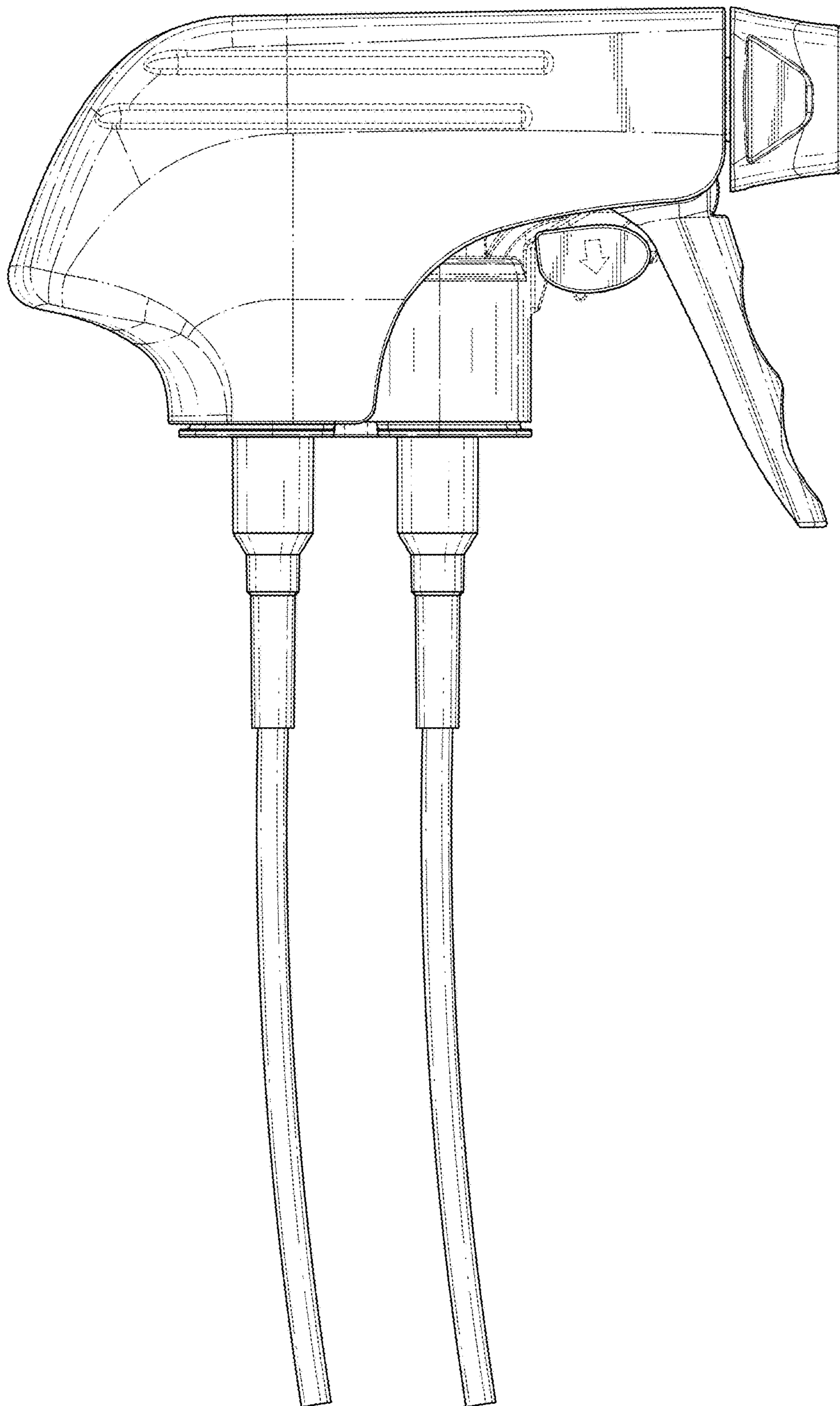


**FIG. 1**

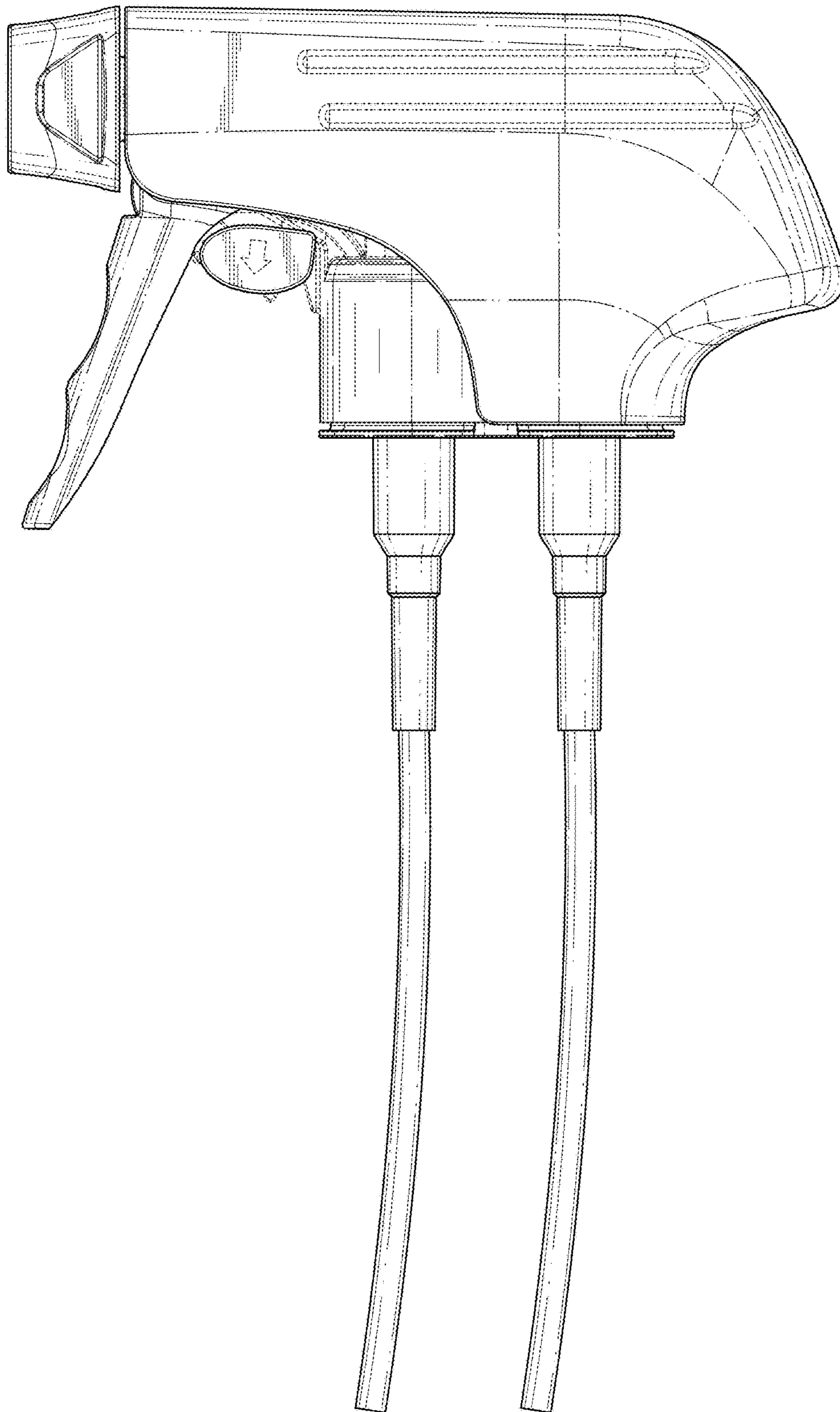




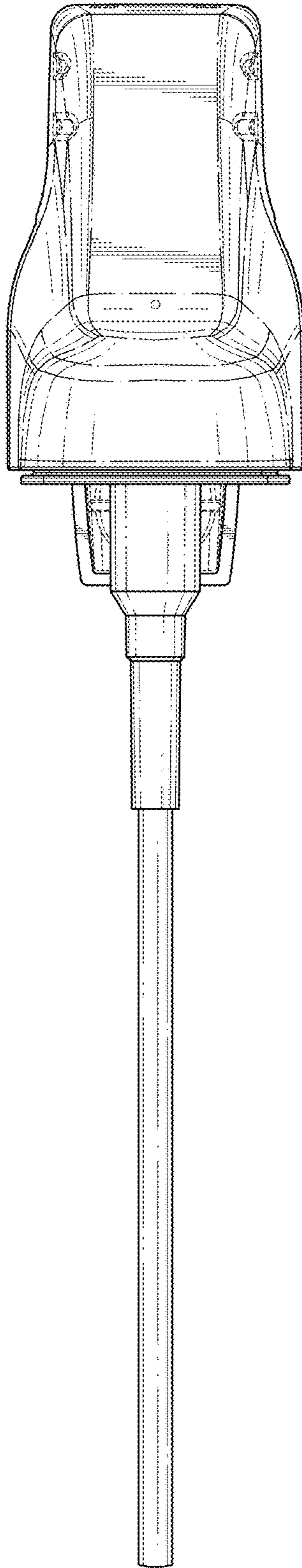
**FIG. 2**



**FIG. 3**

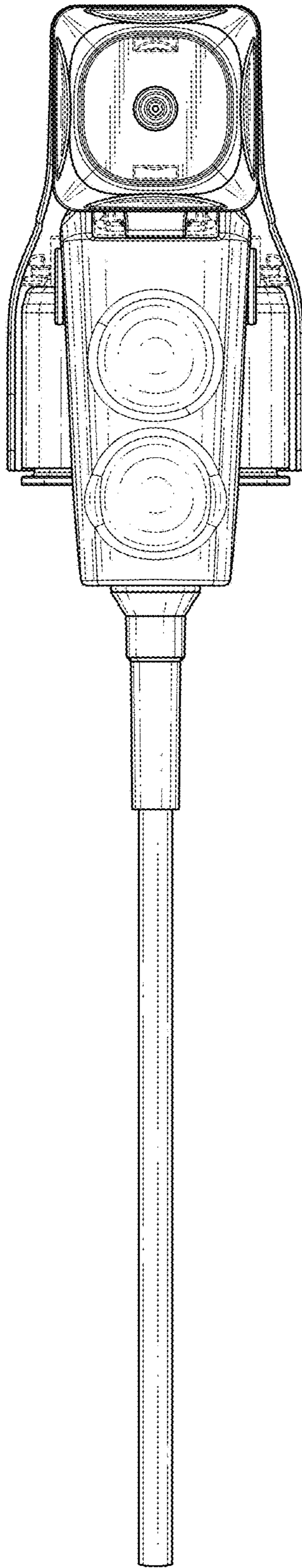


**FIG. 4**



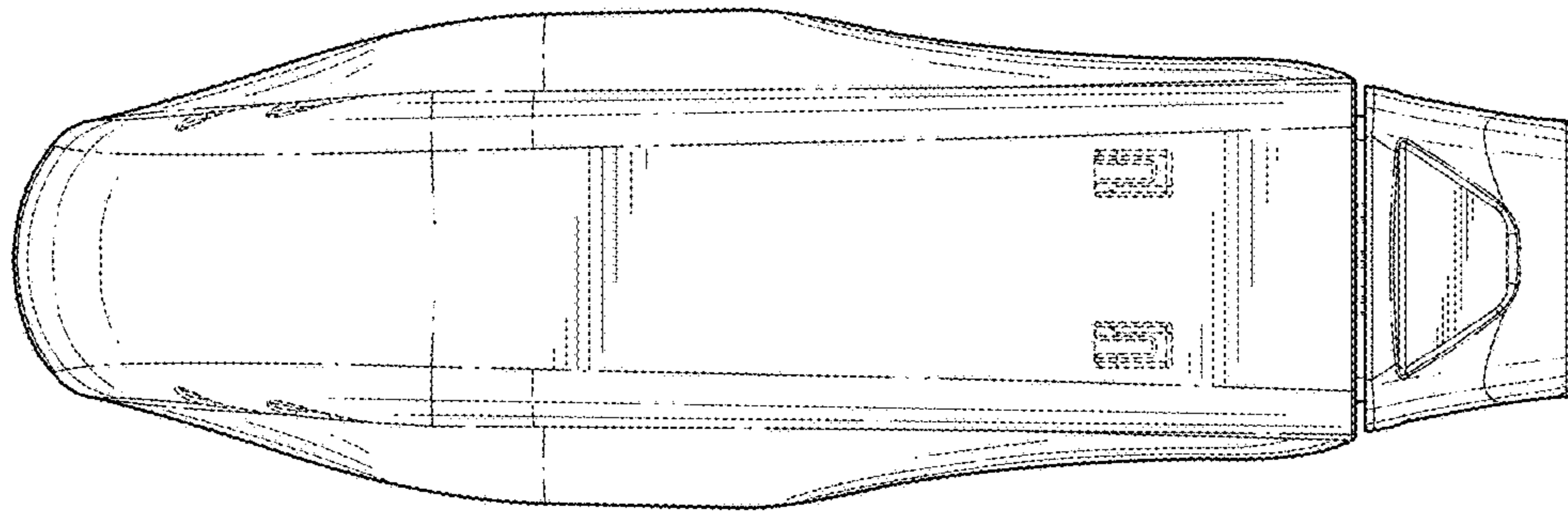
**FIG. 5**



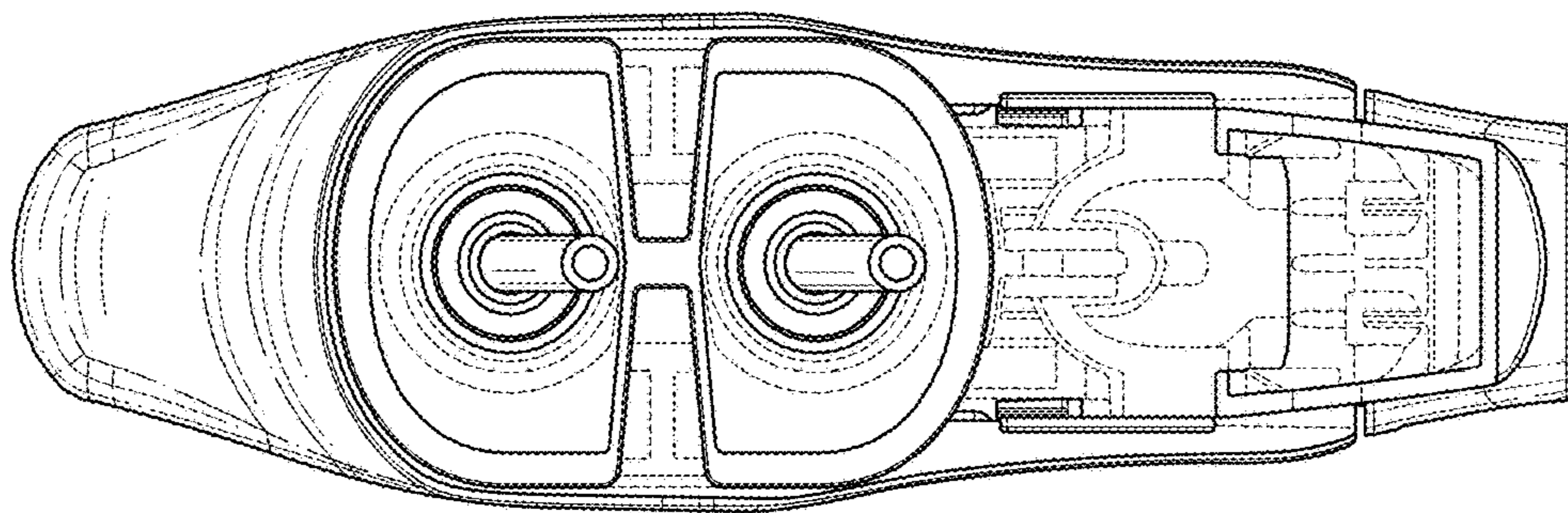


**FIG. 6**





**FIG. 7**



**FIG. 8**