



US00D837647S

(12) **United States Design Patent**
Tamshe et al.

(10) **Patent No.:** **US D837,647 S**
(45) **Date of Patent:** **** Jan. 8, 2019**

(54) **CONTAINER**

(71) Applicants: **Direct Pack, Inc.**, Sun Valley, CA
(US); **Pack-Line West, Inc.**, La Verne,
CA (US)

(72) Inventors: **Amir Tamshe**, Rancho Cucamonga, CA
(US); **Kevin-Dirk Pesirla Closas**,
Ontario, CA (US)

(73) Assignee: **Direct Pack, Inc.**, Azusa, CA (US)

(**) Term: **15 Years**

(21) Appl. No.: **29/584,300**

(22) Filed: **Nov. 14, 2016**

(51) **LOC (11) Cl.** **09-03**

(52) **U.S. Cl.**
USPC **D9/420; D9/425**

(58) **Field of Classification Search**
USPC **D9/414, 420, 423, 424, 425-429, 432;**
D7/629, 630, 641
CPC **B65D 2543/00296; B65D 81/3453; B65D**
43/162; B65D 2543/00101; B65D
2543/00194; B65D 1/0207; B65D 43/02;
B65D 2543/00648; B65D 1/40; B65D
2301/20; B65D 2543/00759; B65D 25/54;
B65D 21/0222; B65D 2543/00203; B65D
2543/00425; B65D 43/169; B65D
2501/0036; B65D 11/20; B65D
2519/00034; B65D 2519/00069; B65D
2519/00139; B65D 2519/00268; B65D
2519/00288; B65D 2519/00318; B65D
5/68; B65D 75/522

See application file for complete search history.

(56) **References Cited**

U.S. PATENT DOCUMENTS

D533,075 S * 12/2006 Snedden D9/717
D577,579 S * 9/2008 Lymn D9/426

D628,062 S * 11/2010 Snedden D9/426
D645,737 S * 9/2011 Oakes D9/420
D664,425 S * 7/2012 Krupa D9/420
D690,194 S * 9/2013 Snedden D9/425
D750,480 S * 3/2016 Snedden D9/426
D774,901 S * 12/2016 Geheran D9/423
D779,934 S * 2/2017 Parikh D9/425
2004/0007583 A1 * 1/2004 Lin B65D 43/162
220/835
2004/0144781 A1 * 7/2004 Dees B65D 11/188
220/4.24
2015/0008217 A1 * 1/2015 Pham B65D 43/162
220/4.23
2015/0367987 A1 * 12/2015 Clark B65D 21/0201
220/23.86
2017/0021966 A1 * 1/2017 Parikh B65D 21/086

* cited by examiner

Primary Examiner — Lauren R Calve

(74) *Attorney, Agent, or Firm* — Frost Brown Todd, LLC

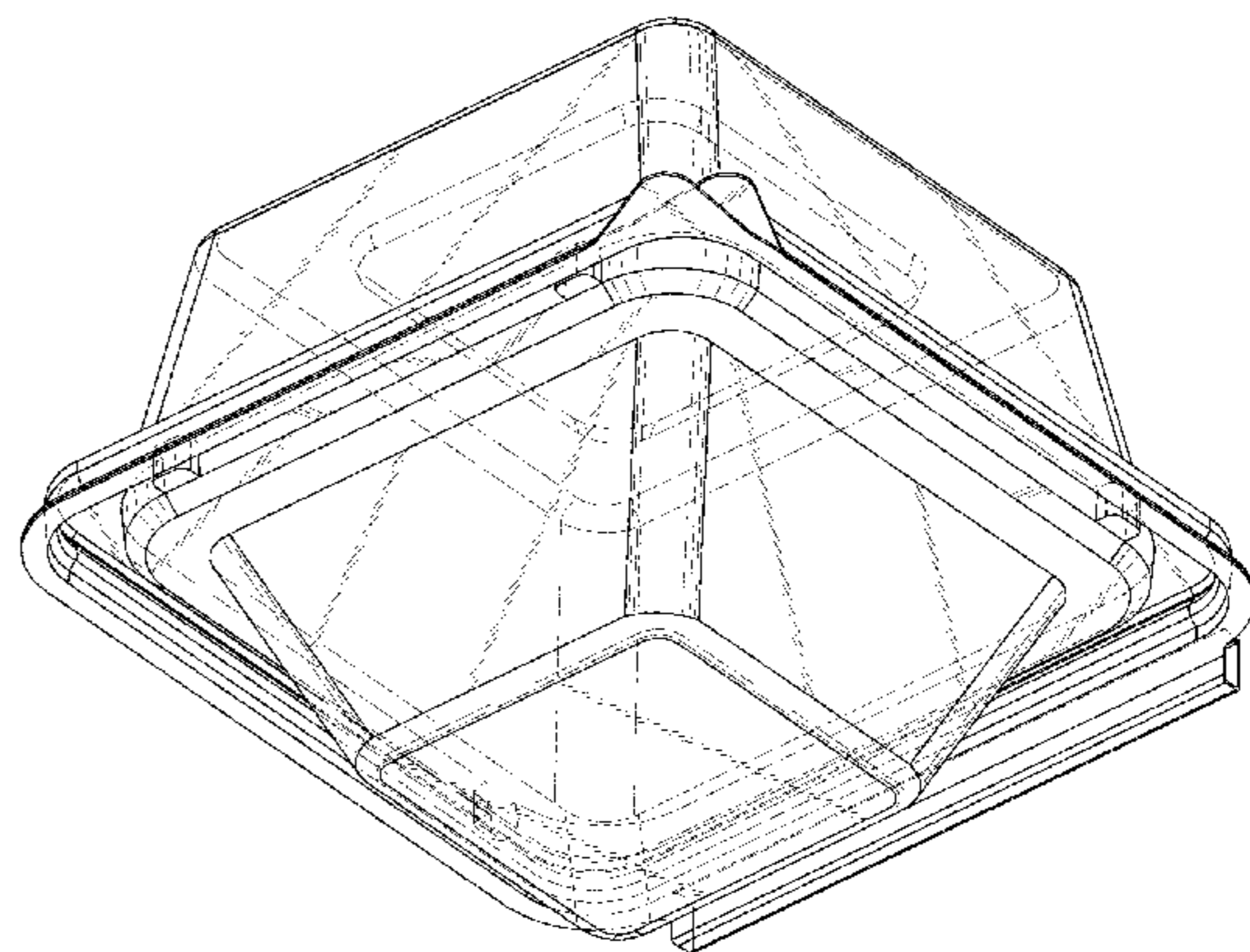
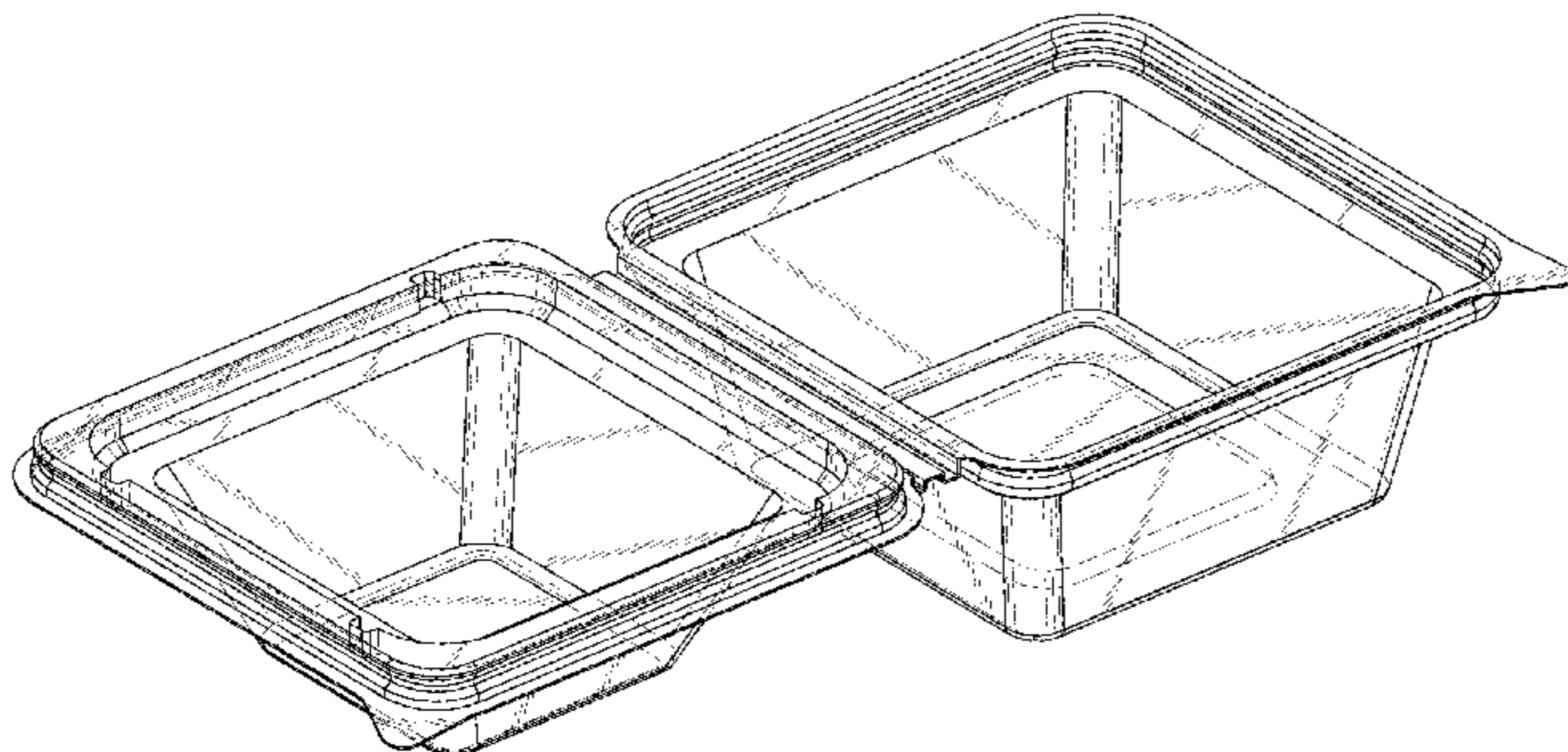
(57) **CLAIM**

The ornamental design for a container, as shown and described.

DESCRIPTION

FIG. 1 is a top perspective view of a container showing our new design in an open position;
FIG. 2 is a top perspective view of thereof in a closed position;
FIG. 3 is a bottom perspective view of thereof;
FIG. 4 is a front elevational view thereof;
FIG. 5 is a back elevational view thereof;
FIG. 6 is a left elevational view thereof;
FIG. 7 is a right elevational view thereof;
FIG. 8 is a top plan view thereof; and,
FIG. 9 is a bottom plan view thereof.

1 Claim, 9 Drawing Sheets



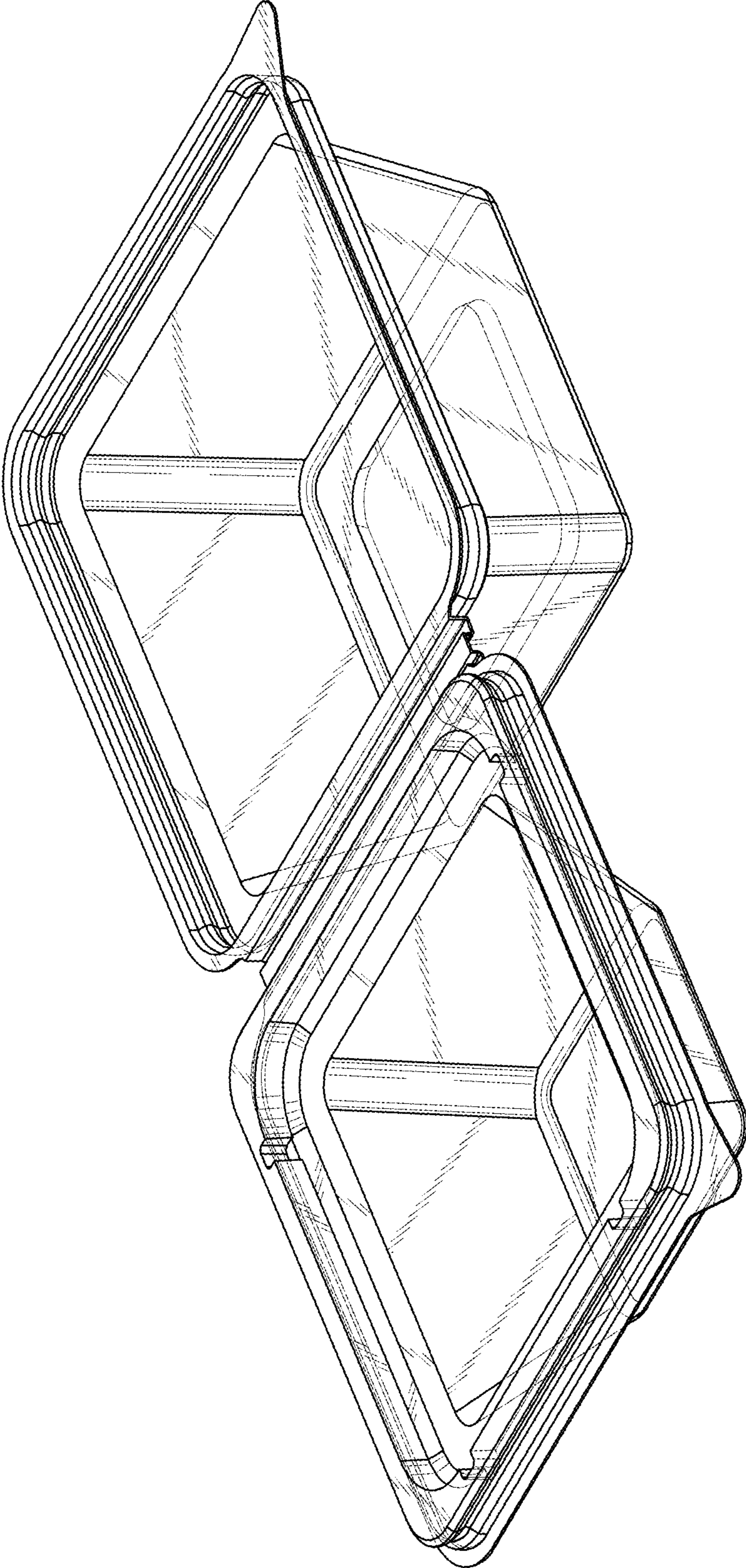


Fig. 1

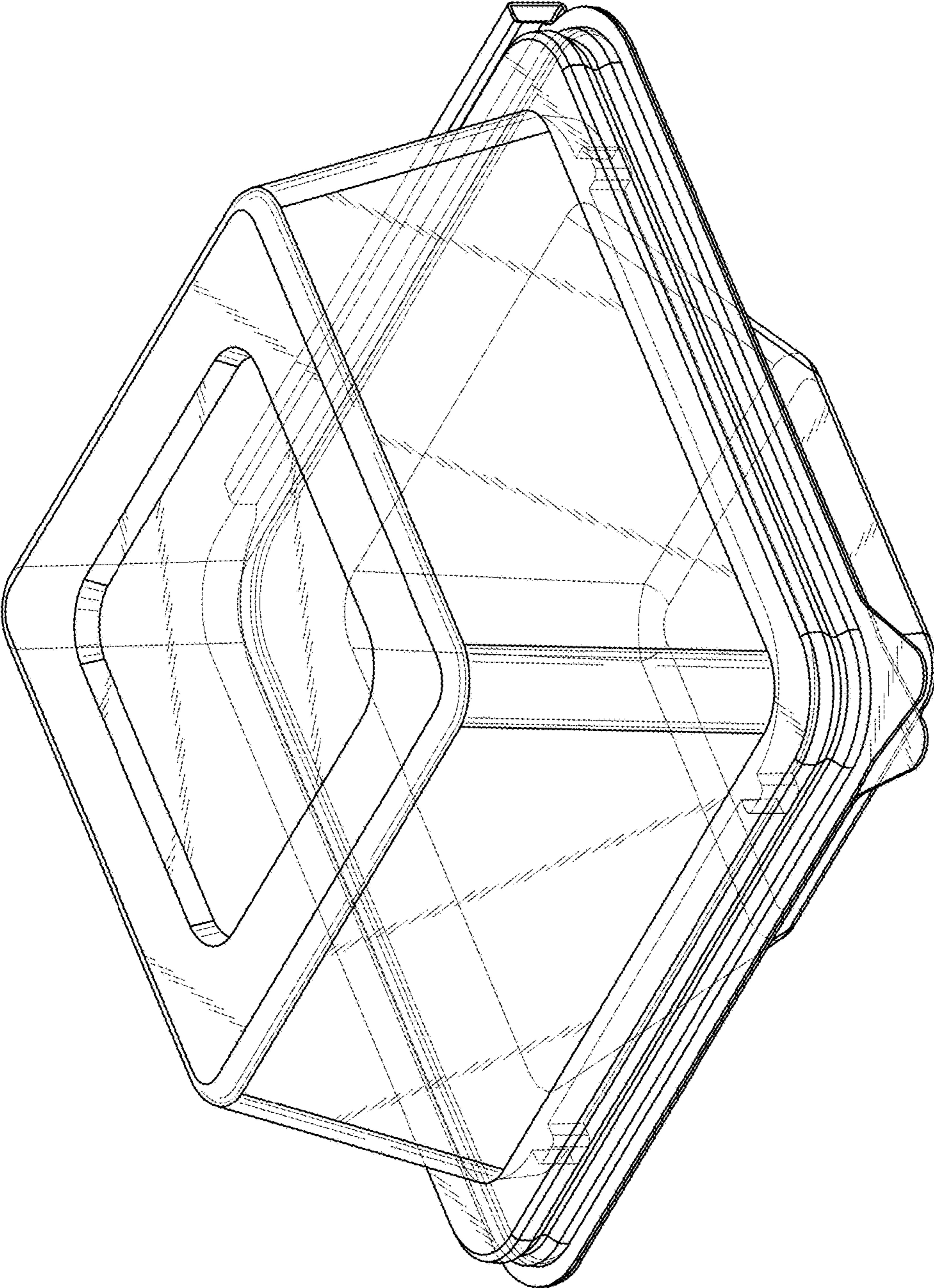


Fig. 2

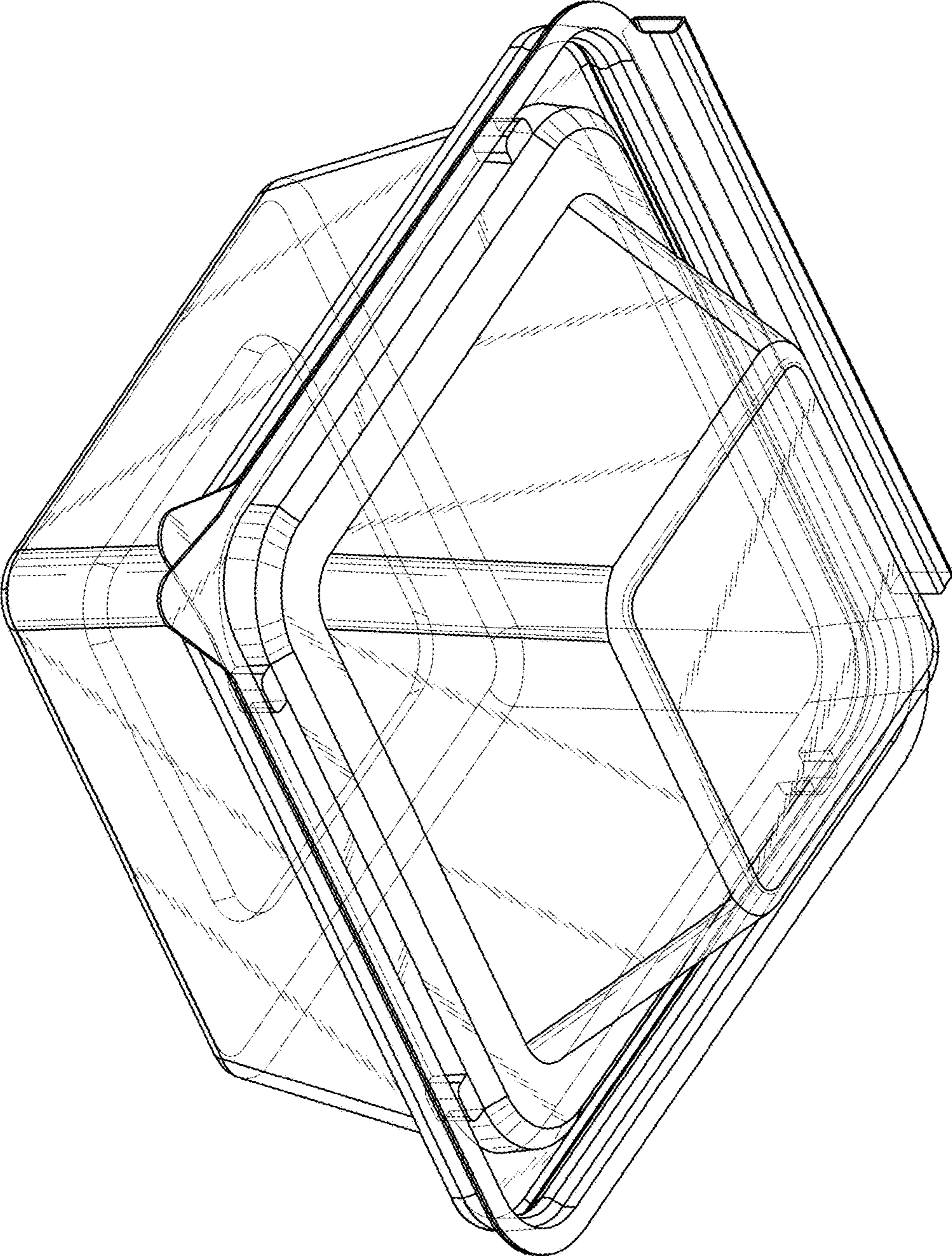


Fig. 3

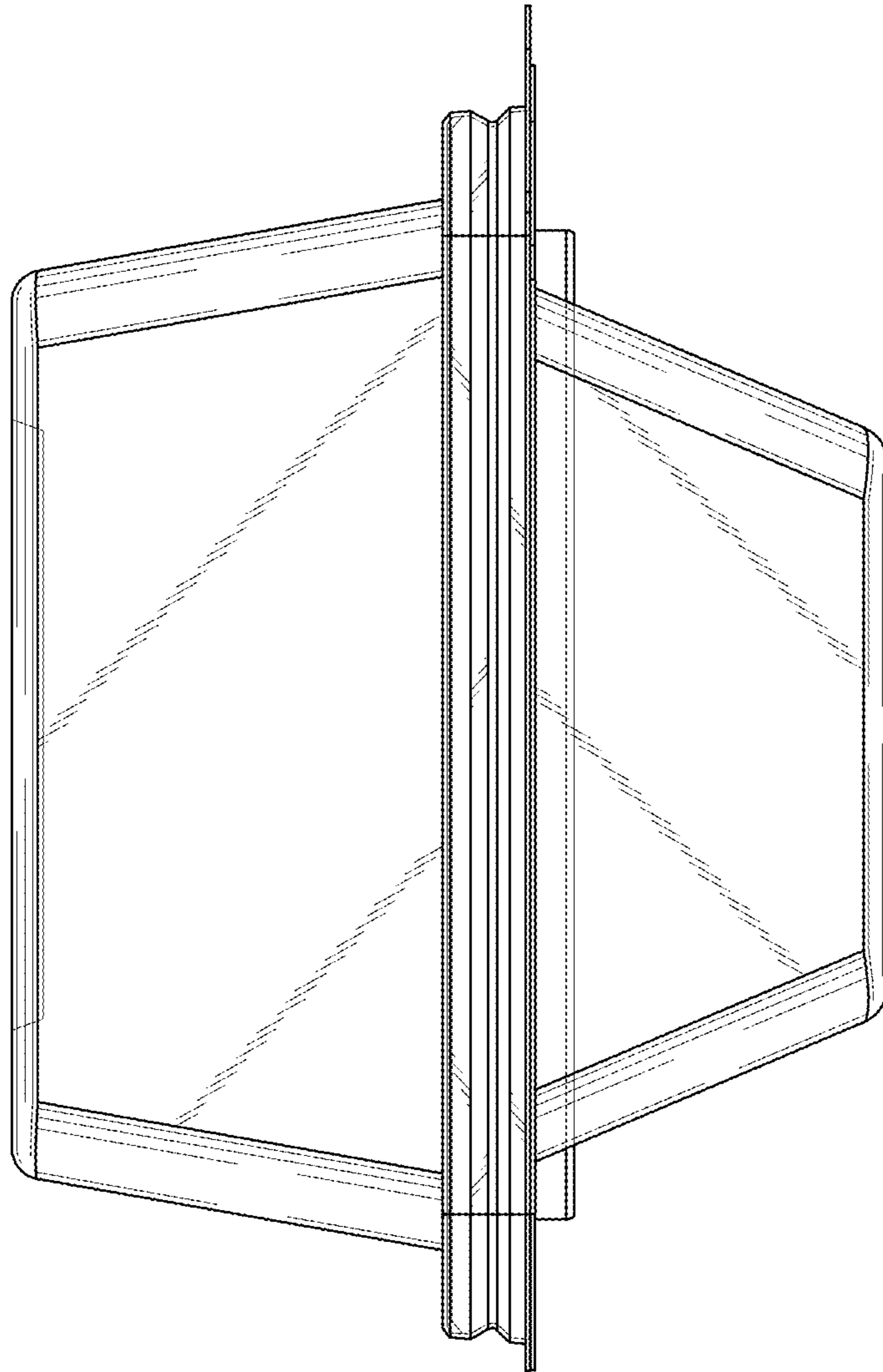


Fig. 4

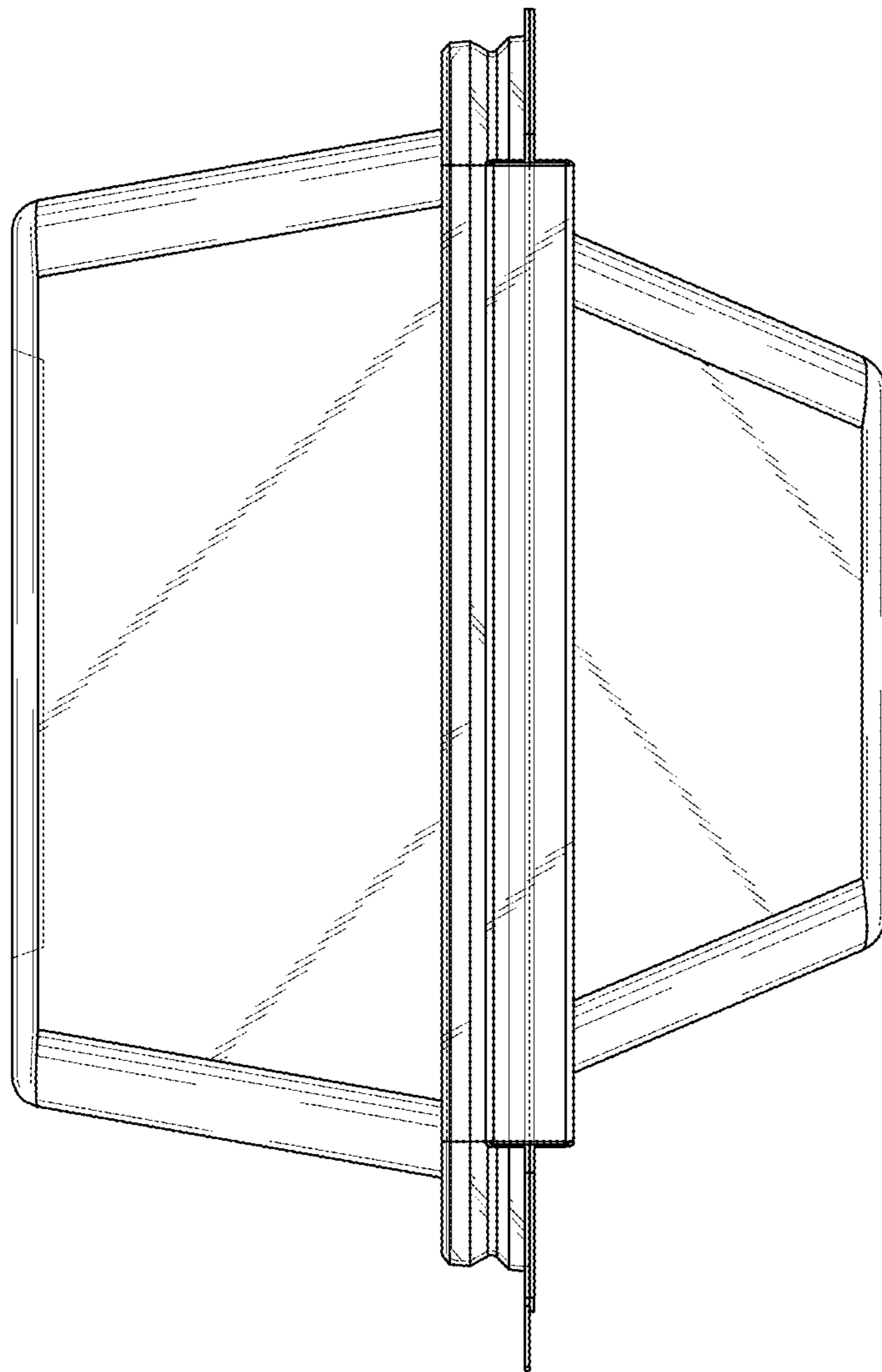


Fig. 5

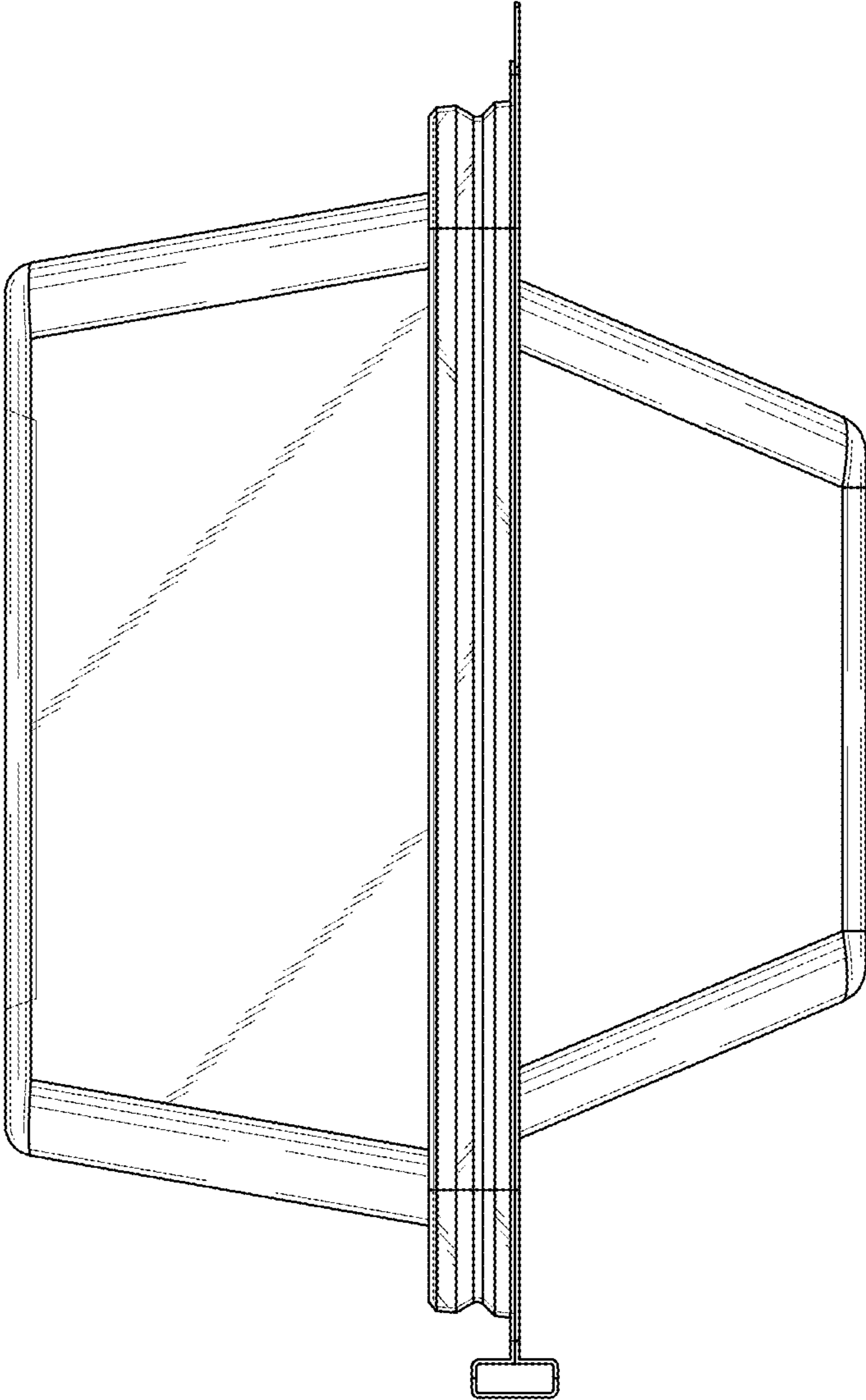


Fig. 6

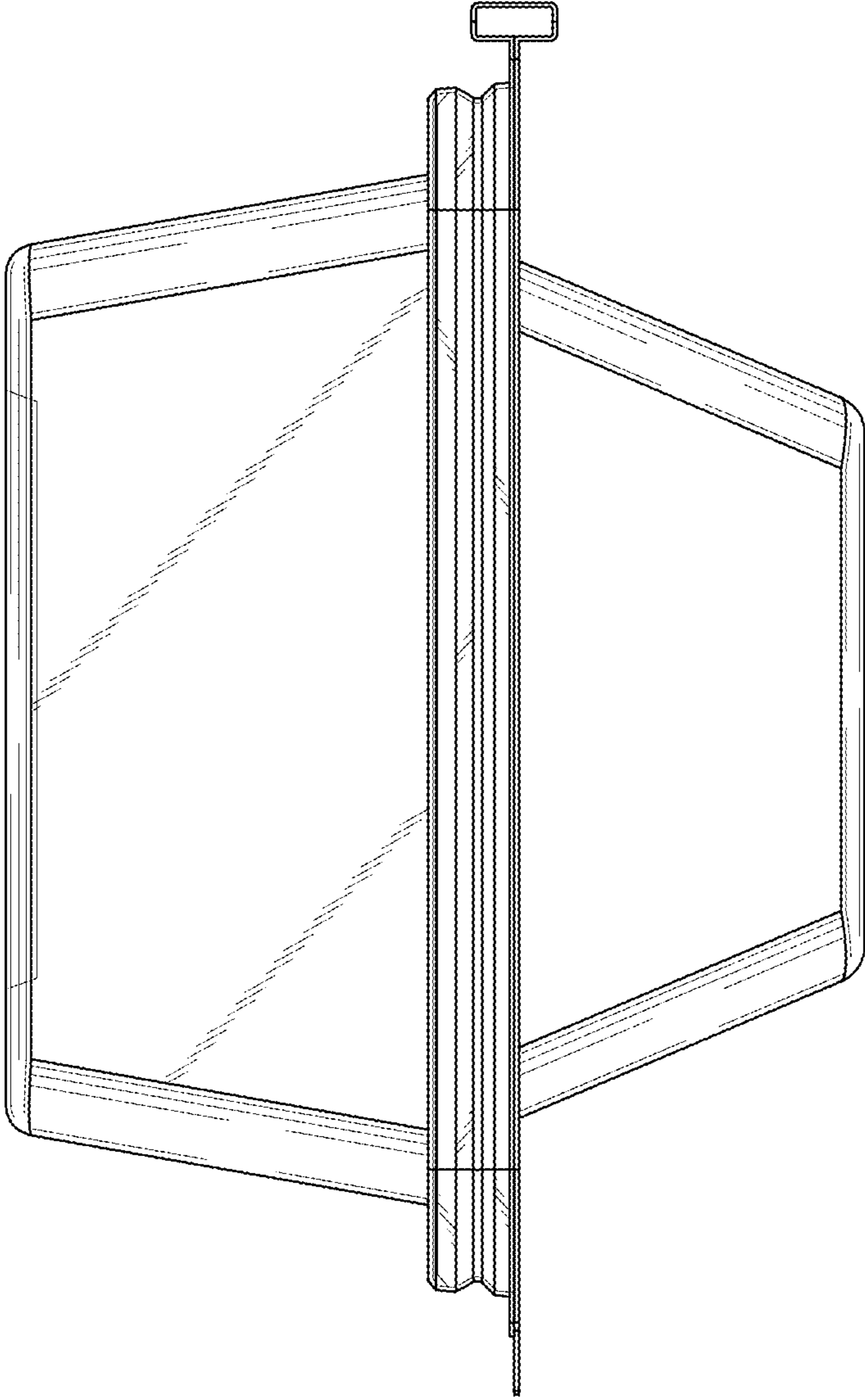


Fig. 7

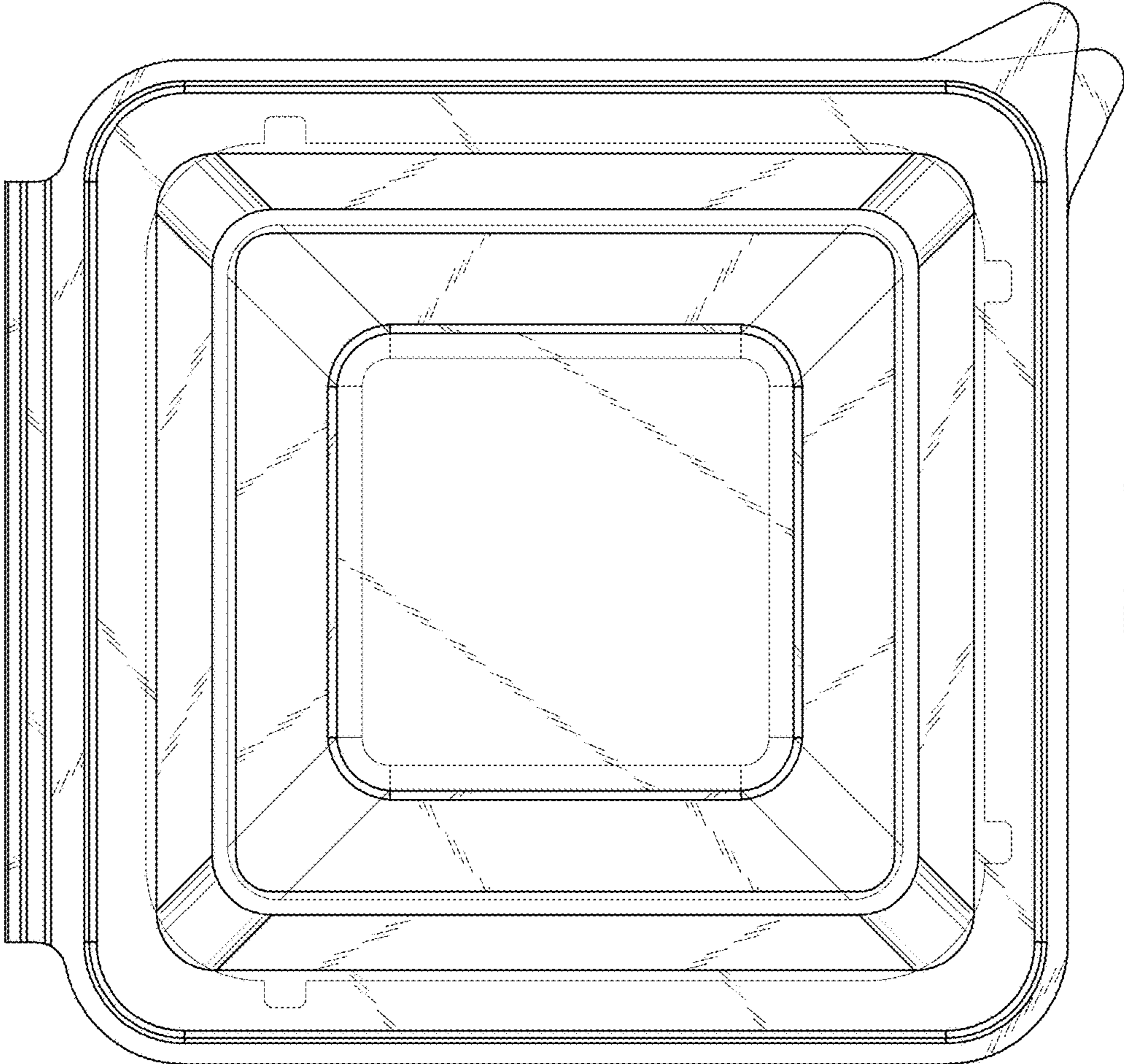


Fig. 8

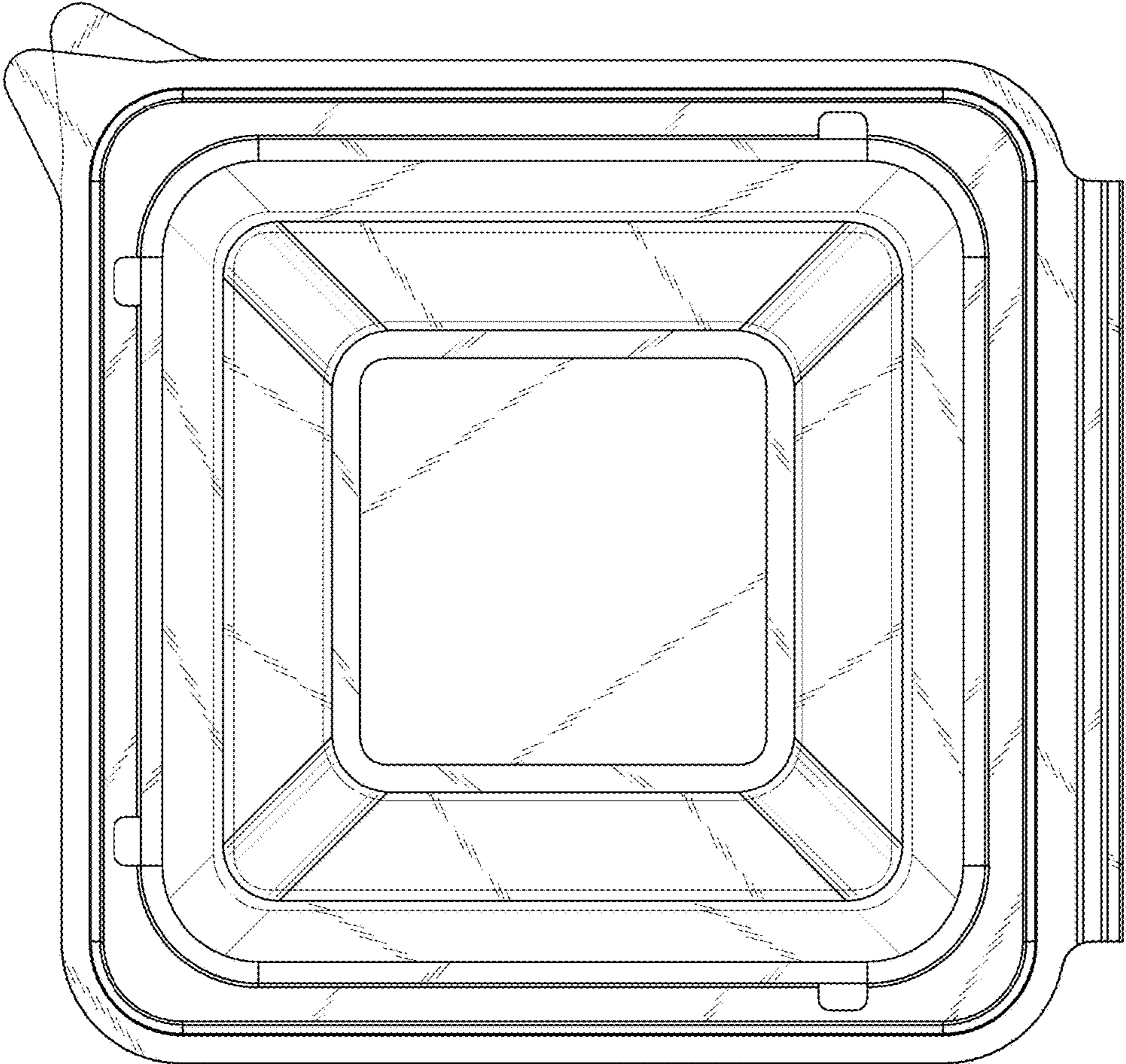


Fig. 9