



US00D837645S

(12) **United States Design Patent**
Larkin et al.

(10) **Patent No.:** **US D837,645 S**
(45) **Date of Patent:** **** Jan. 8, 2019**

(54) **PACKAGING**

(71) Applicant: **ACH Food Companies, Inc.**, Cordova, TN (US)

(72) Inventors: **Robert Gerard Larkin**, Johnston, IA (US); **Martha Elise Cassens**, Chicago, IL (US); **Jillian Christine Hartke**, Cincinnati, OH (US); **Steven Douglas Richardson**, Cincinnati, OH (US); **Mary Toth**, Ann Arbor, MI (US)

(73) Assignee: **ACH Food Companies, Inc.**, Cordova, TN (US)

(**) Term: **15 Years**

(21) Appl. No.: **29/571,960**

(22) Filed: **Jul. 22, 2016**

(51) **LOC (11) Cl.** **09-03**

(52) **U.S. Cl.**
USPC **D9/416**

(58) **Field of Classification Search**
USPC D9/414-416, 418, 420, 421, 424-426,
D9/428-430, 434, 435, 503, 504, 522,
(Continued)

(56) **References Cited**

U.S. PATENT DOCUMENTS

D184,276 S * 1/1959 Kolb D9/421
3,004,697 A * 10/1961 Stone B65D 5/4266
229/212

(Continued)

Primary Examiner — Barbara Fox
Assistant Examiner — Mehri F Bajoul

(74) *Attorney, Agent, or Firm* — Frost Brown Todd LLC

(57) **CLAIM**

The ornamental design for a packaging, as shown and described.

DESCRIPTION

FIG. 1 is an upper right perspective view of a packaging showing our new design.

FIG. 2 is a lower left perspective view of the packaging of FIG. 1.

FIG. 3 is a front elevation view of the packaging of FIG. 1.

FIG. 4 is a rear elevation view of the packaging of FIG. 1.

FIG. 5 is a left side elevation view of the packaging of FIG. 1.

FIG. 6 is a right side elevation view of the packaging of FIG. 1.

FIG. 7 is a top plan view of the packaging of FIG. 1.

FIG. 8 is a bottom plan view of the packaging of FIG. 1.

FIG. 9 is an upper right perspective view of the packaging of FIG. 1 with the removable portions removed therefrom.

FIG. 10 is a lower left perspective view of the packaging of FIG. 9.

FIG. 11 is a front elevation view of the packaging of FIG. 9.

FIG. 12 is a rear elevation view of the packaging of FIG. 9.

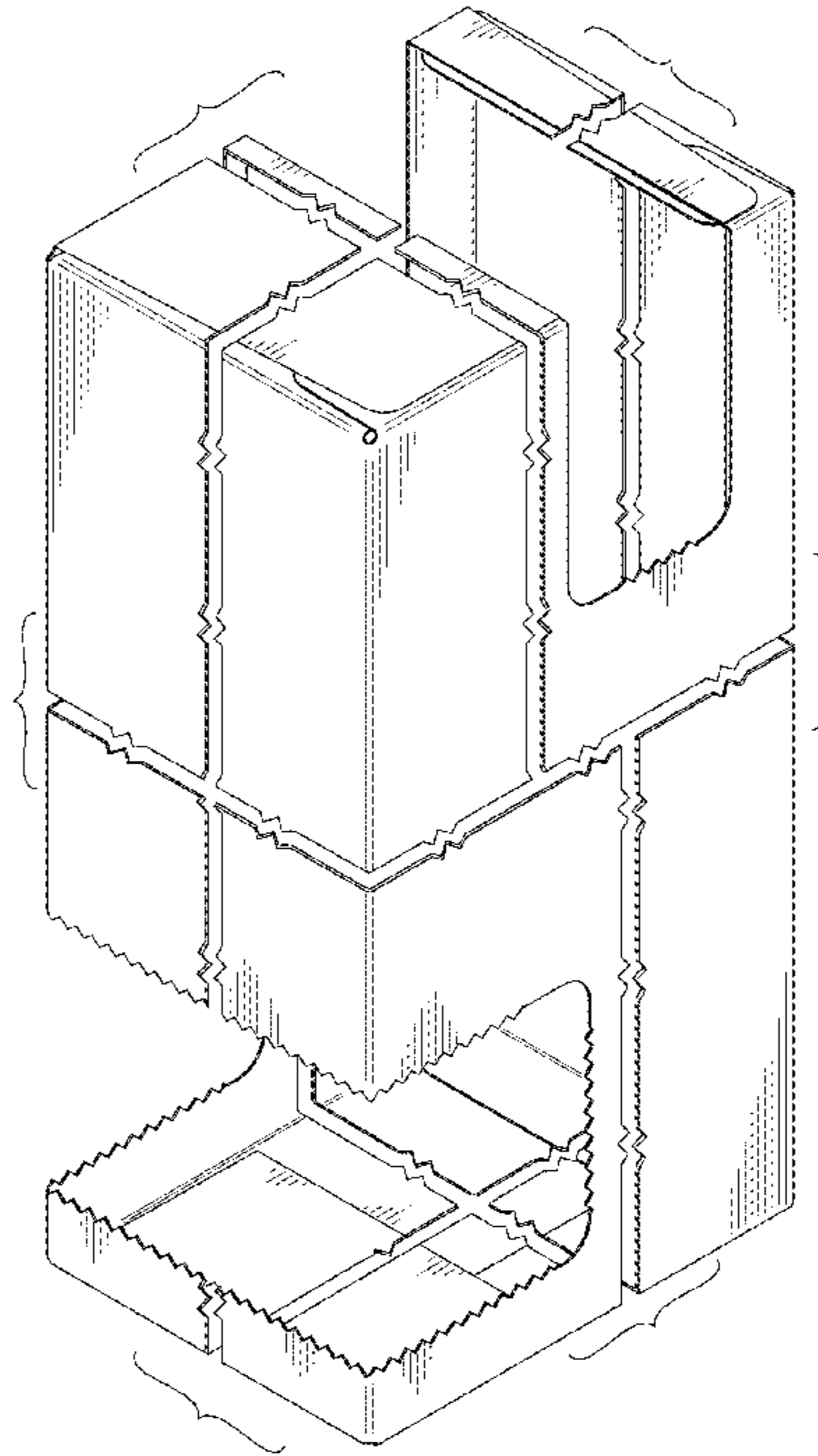
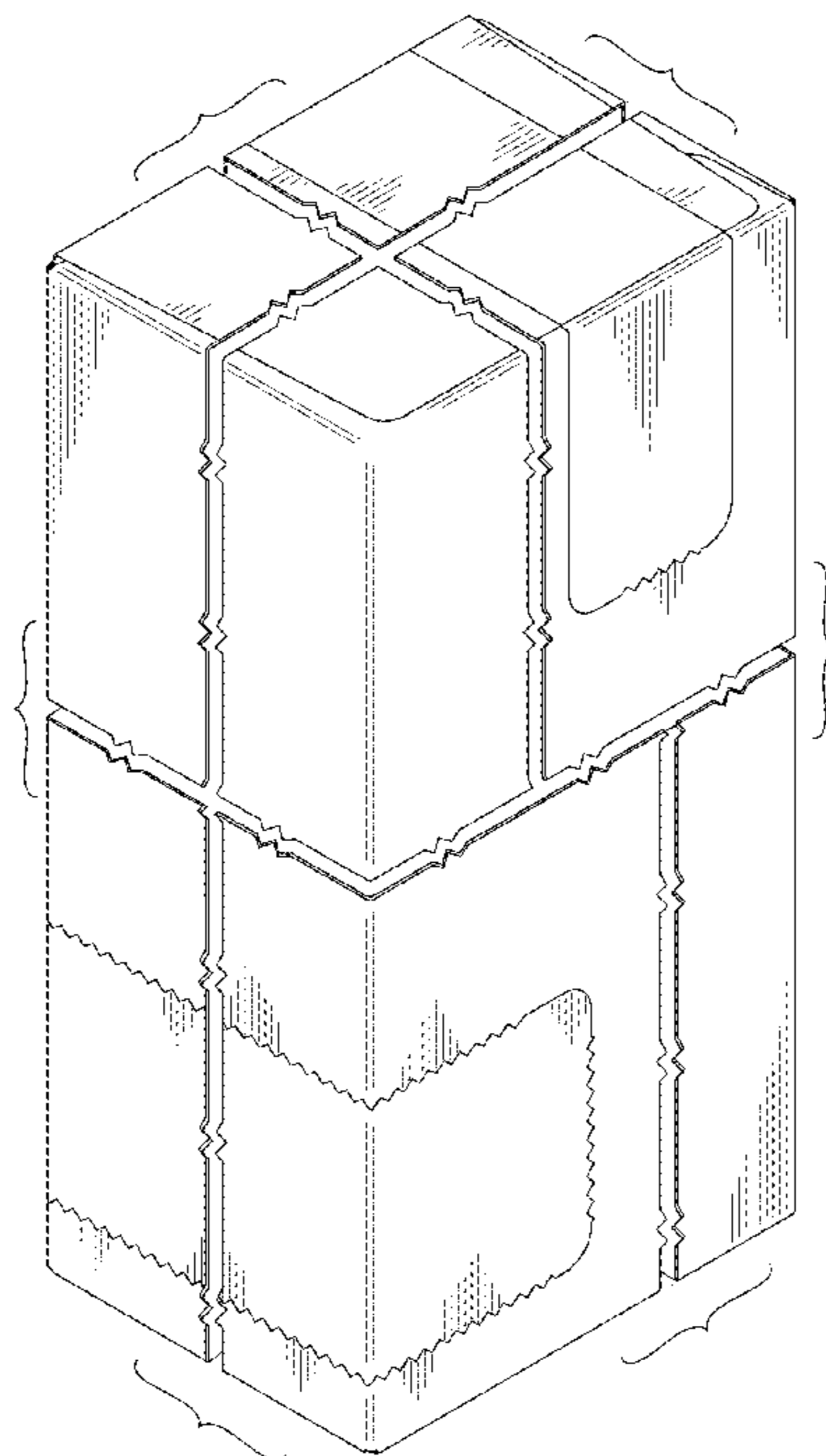
FIG. 13 is a left side elevation view of the packaging of FIG. 9.

FIG. 14 is a right side elevation view of the packaging of FIG. 9.

FIG. 15 is a top plan view of the packaging of FIG. 9; and, FIG. 16 is a bottom plan view of the packaging of FIG. 9.

The packaging is shown with a symbolic break in its width and length. The appearance of any portion of the article between the break lines forms no part of the claimed design.

1 Claim, 10 Drawing Sheets



(58) **Field of Classification Search**

USPC D9/529; D6/634; D7/538, 629; D28/8,
D28/58, 59, 64.1, 64.6, 76-78, 82, 84, 89,
D28/91; D3/201, 221, 225, 294; D19/3;
D24/242; D27/185-192; 206/236-242,
206/245
CPC ... B65D 5/18; B65D 5/20; B65D 5/32; B65D
5/00; B65D 5/541; B65D 5/542; A45D
40/221

See application file for complete search history.

(56) **References Cited**

U.S. PATENT DOCUMENTS

3,127,991 A * 4/1964 Burnett B65D 5/542
206/499
D244,511 S * 5/1977 Frisbey D9/432
D270,041 S * 8/1983 Vestal D9/416
D274,407 S * 6/1984 Rosenburg, Jr. D9/418
D291,065 S * 7/1987 Pugh D9/418
D332,744 S * 1/1993 McCooey D9/415
D360,358 S * 7/1995 Steinfels, III D9/415
5,860,526 A * 1/1999 Burke, Jr. B65D 5/0227
206/446
D689,360 S * 9/2013 Adams D9/418
D714,136 S * 9/2014 Stepanov D9/432
D740,654 S * 10/2015 Boehnen D9/418
D747,646 S * 1/2016 Sanfilippo D9/416
D795,696 S * 8/2017 Pitera D9/499
D804,302 S * 12/2017 Larkin D9/432
D808,799 S * 1/2018 Pohlman D9/432
2002/0170845 A1 * 11/2002 Oliff B65D 5/542
206/749
2014/0054289 A1 * 2/2014 Bogdziewicz, III B65D 5/72
220/266

* cited by examiner

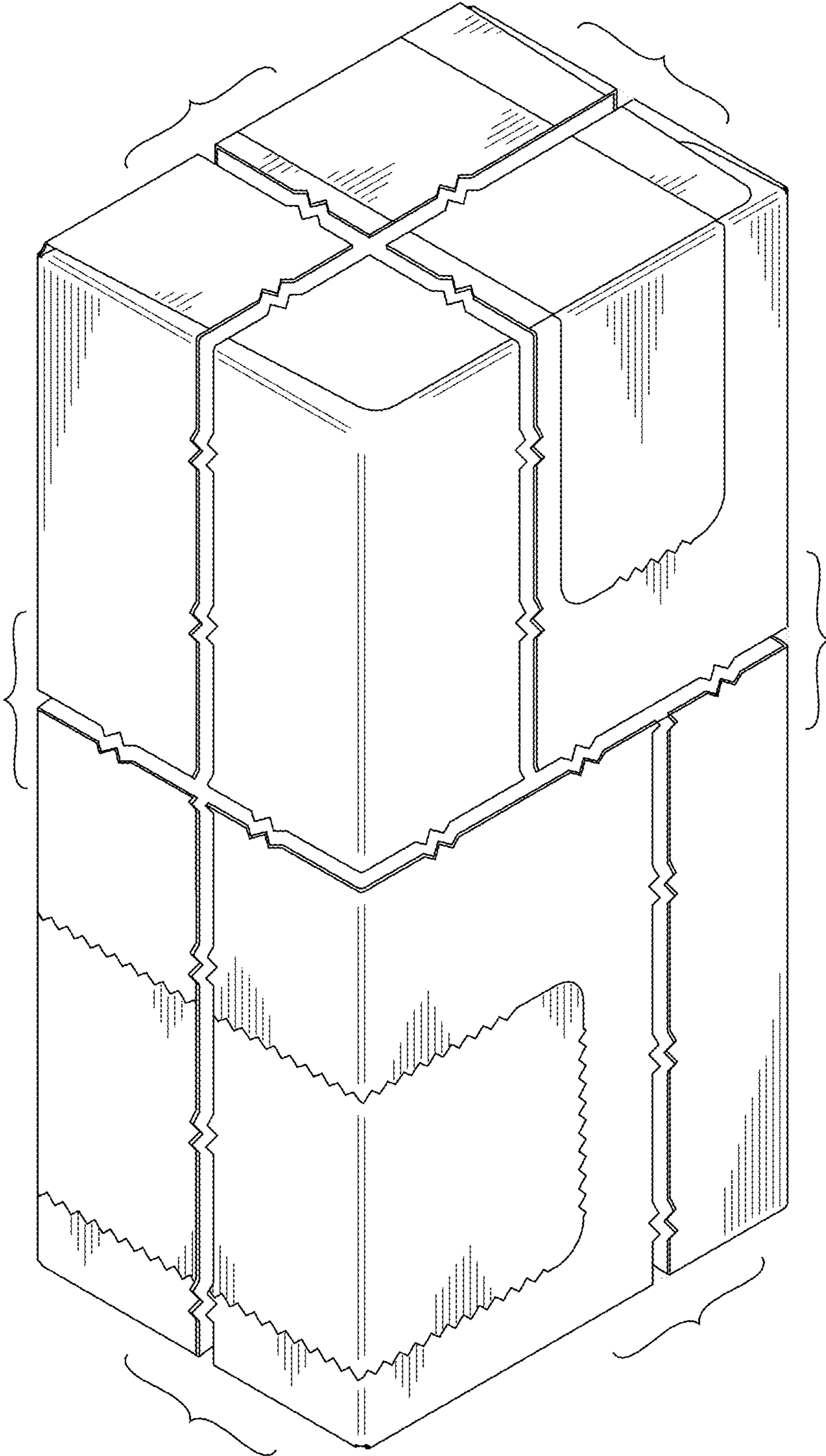


FIG. 1

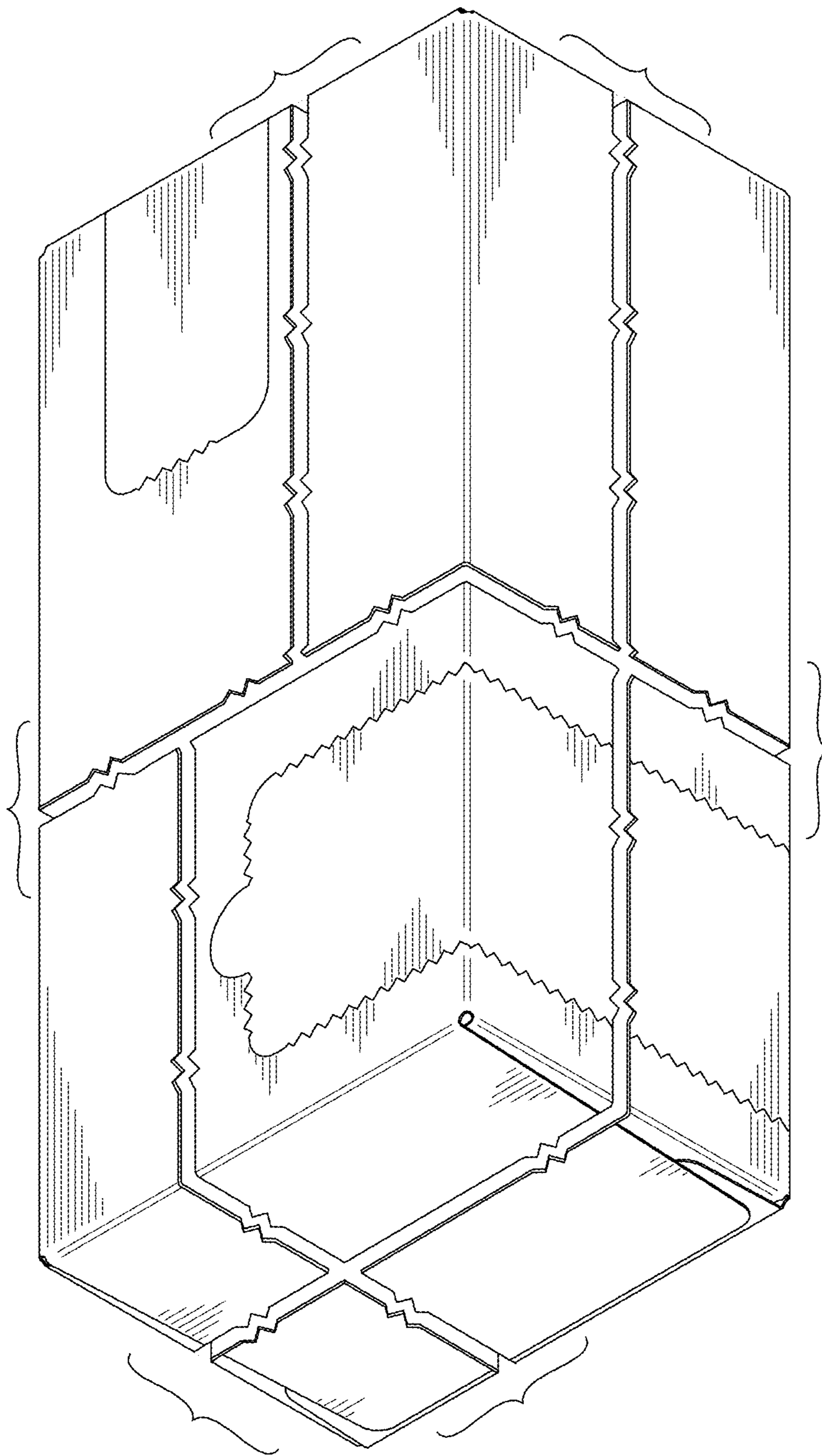


FIG. 2

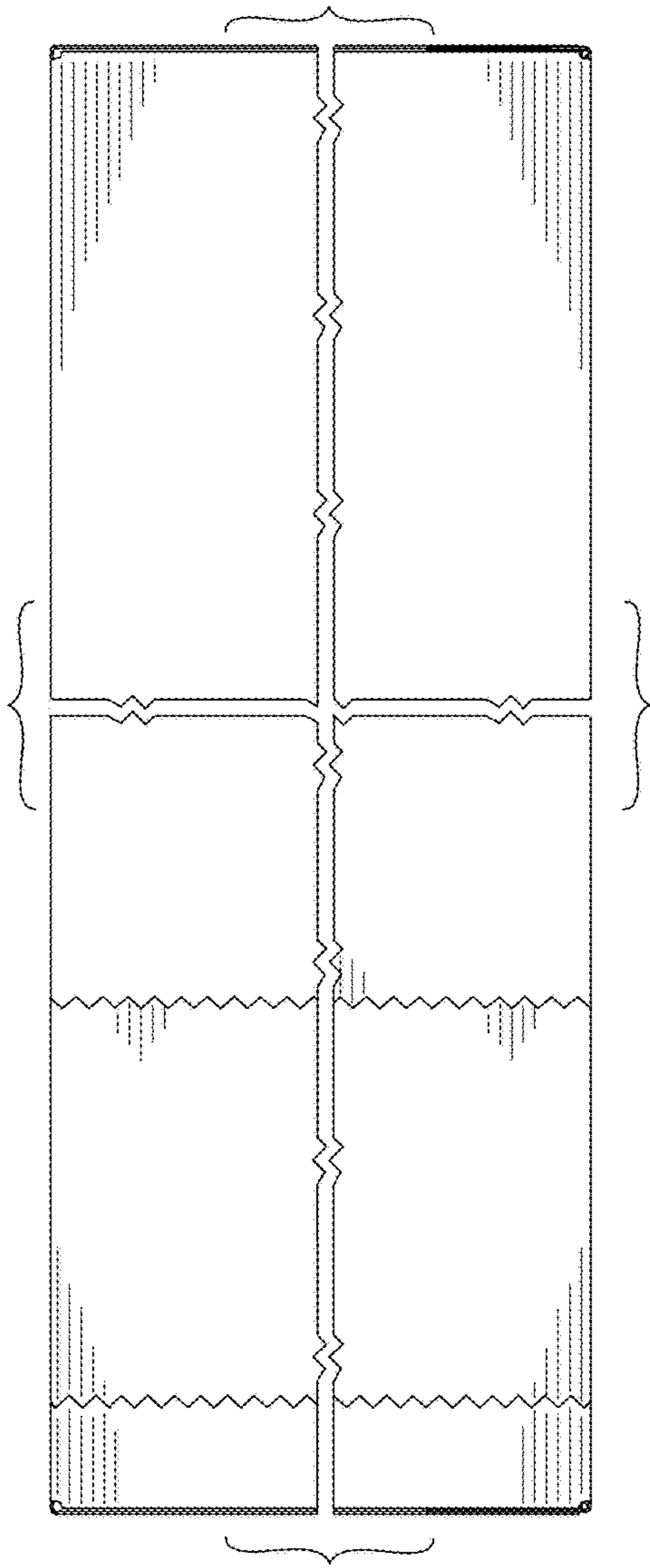


FIG. 3

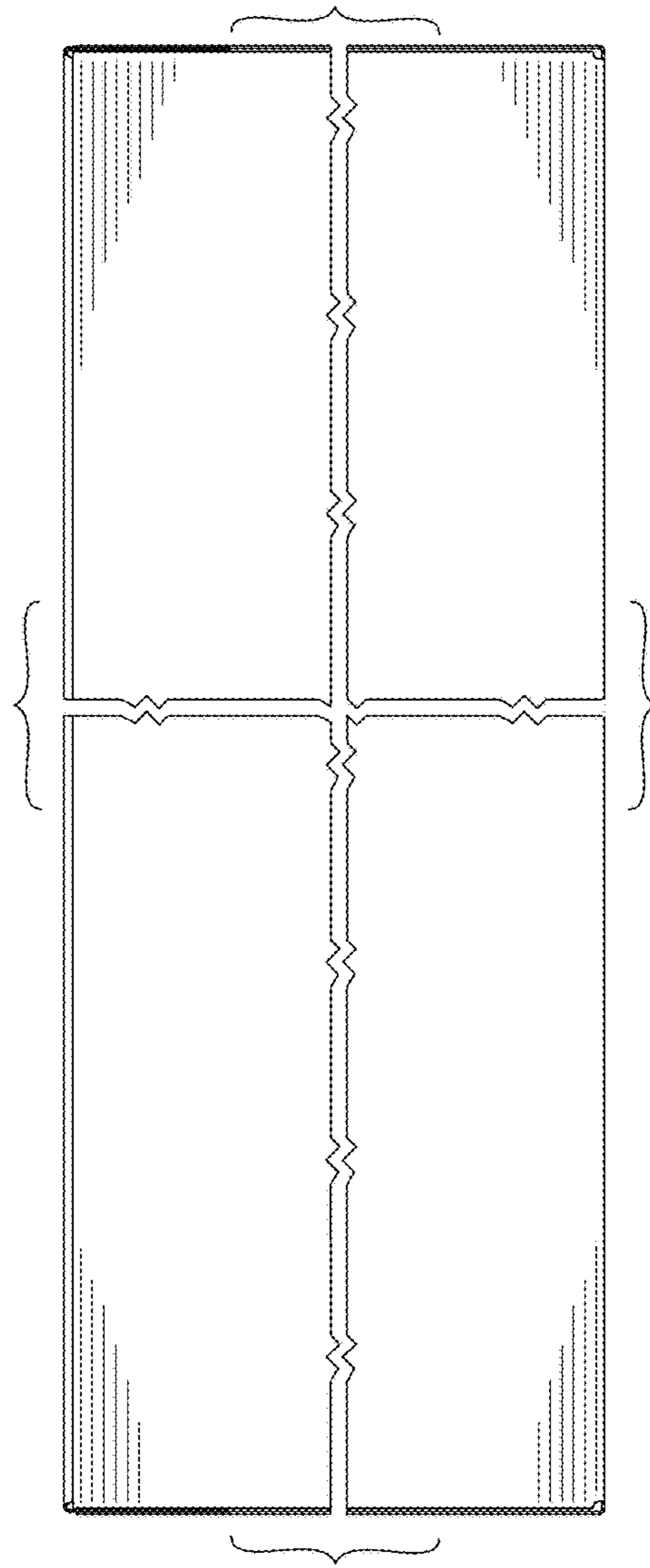


FIG. 4

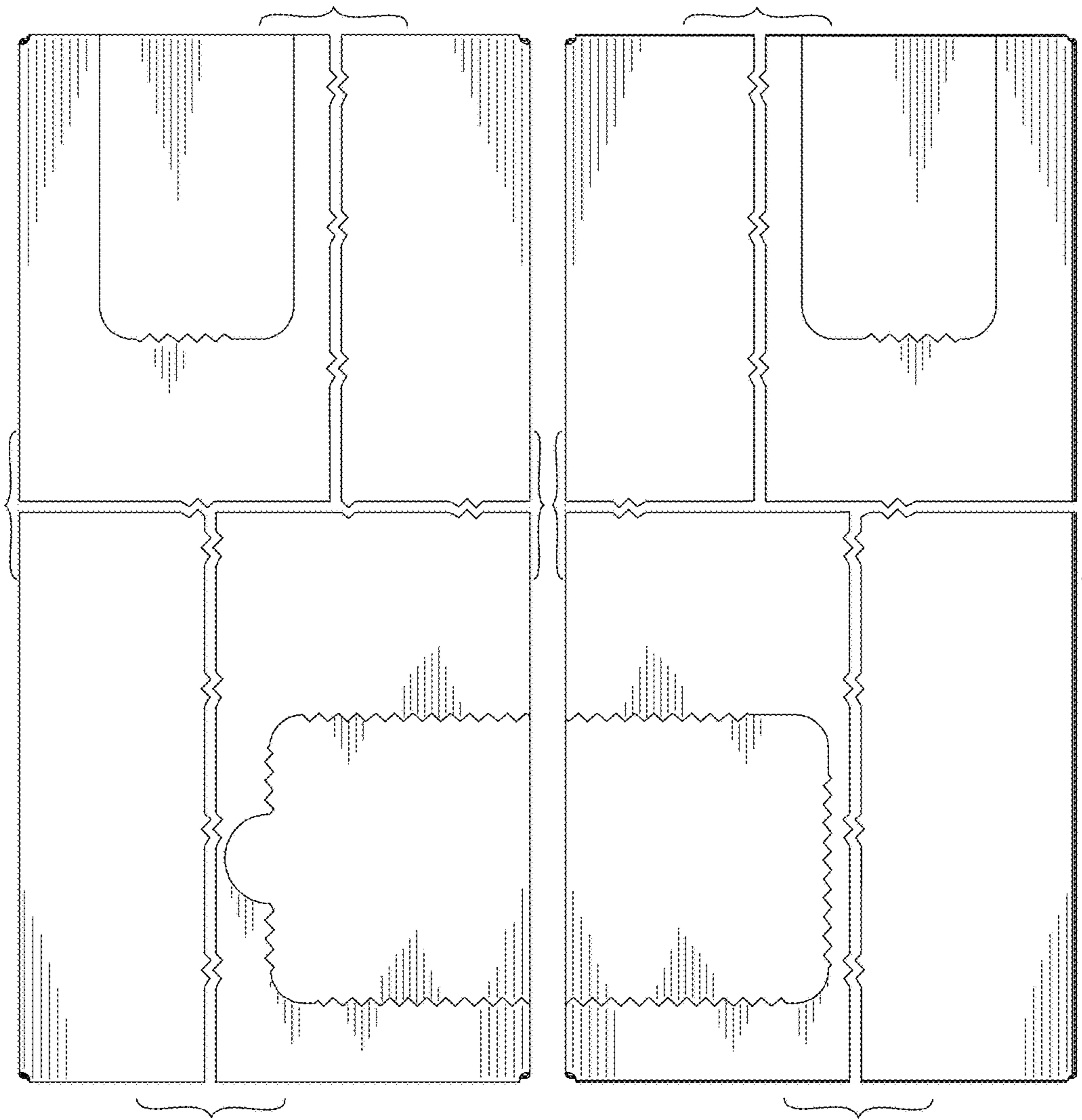


FIG. 5

FIG. 6

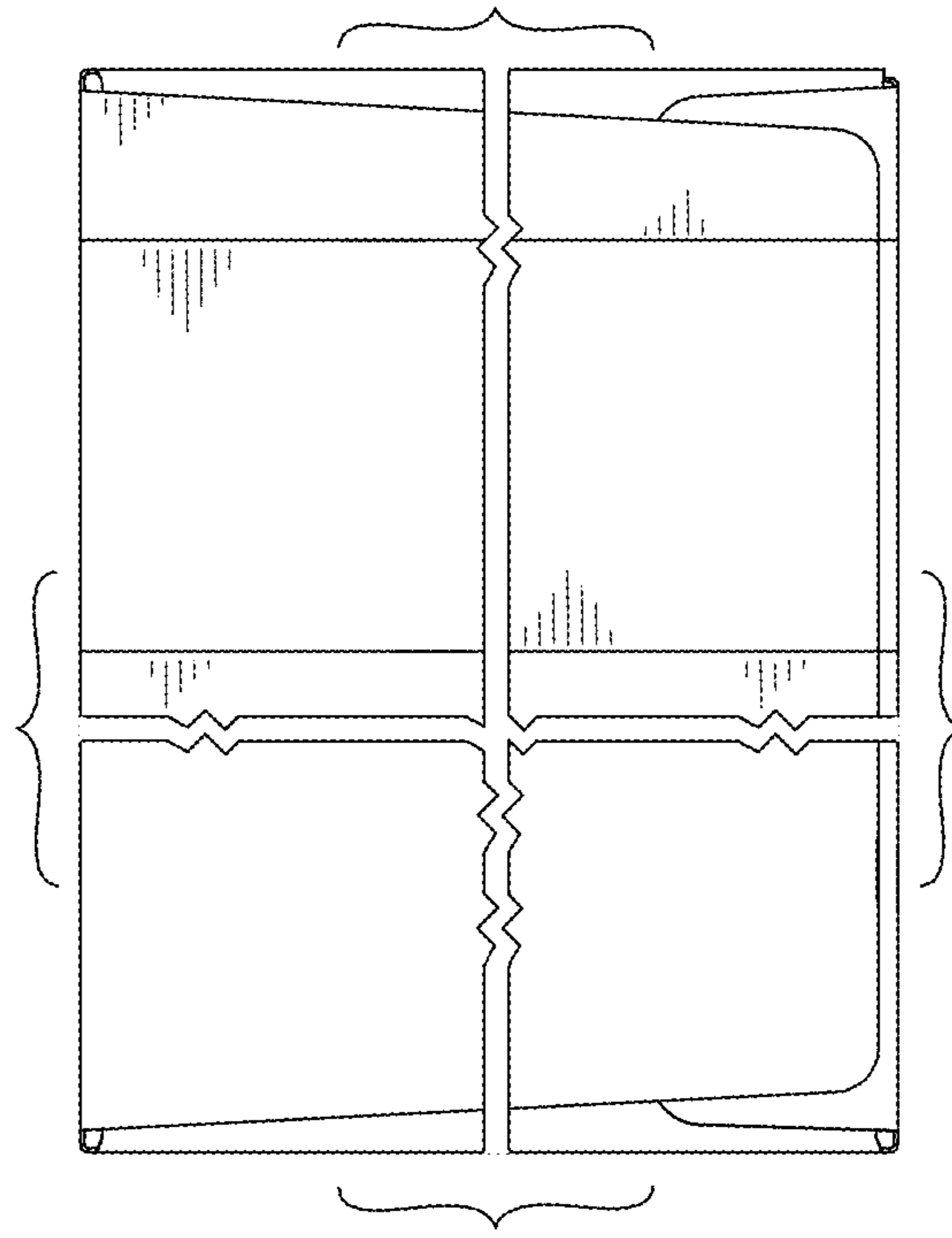


FIG. 7

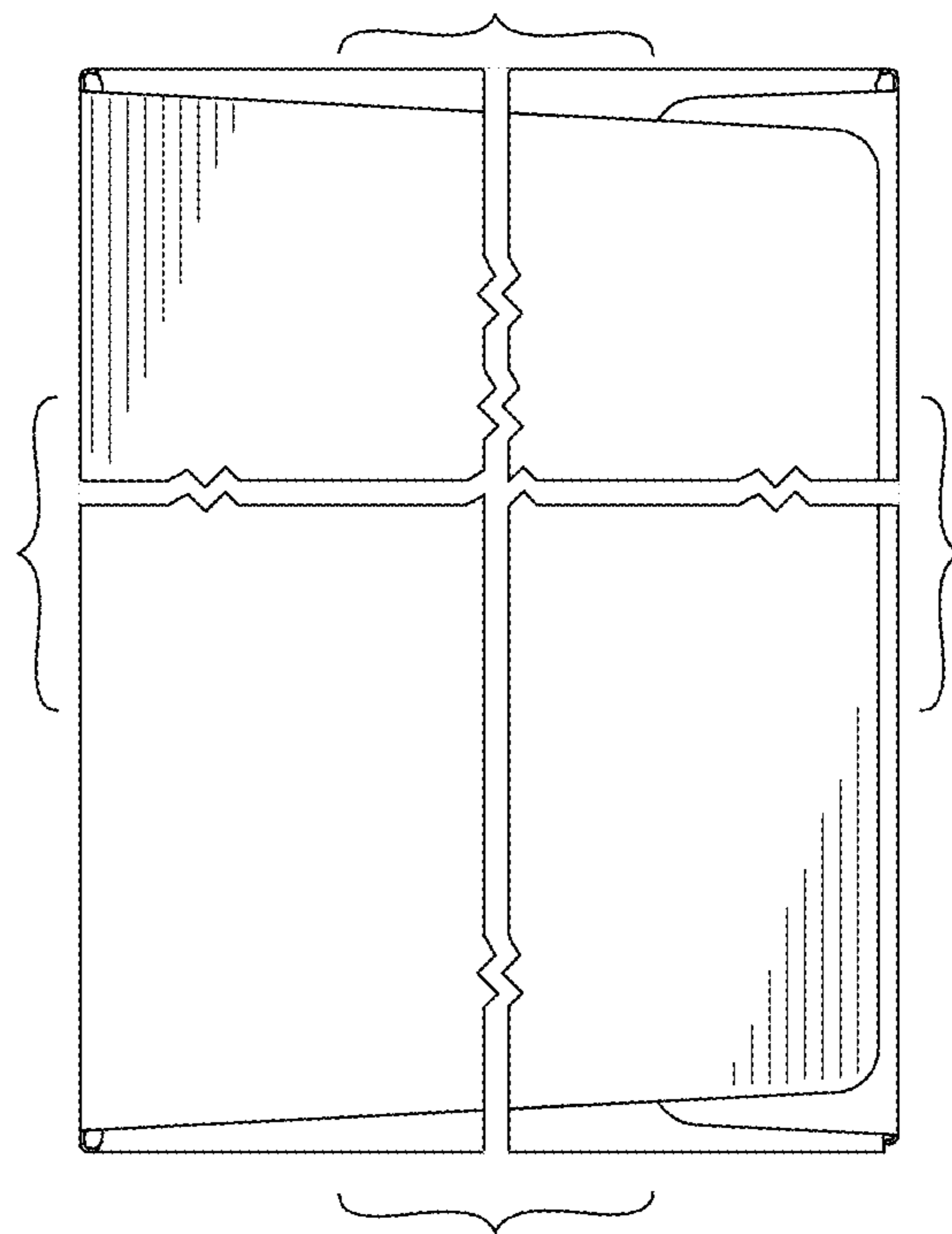


FIG. 8

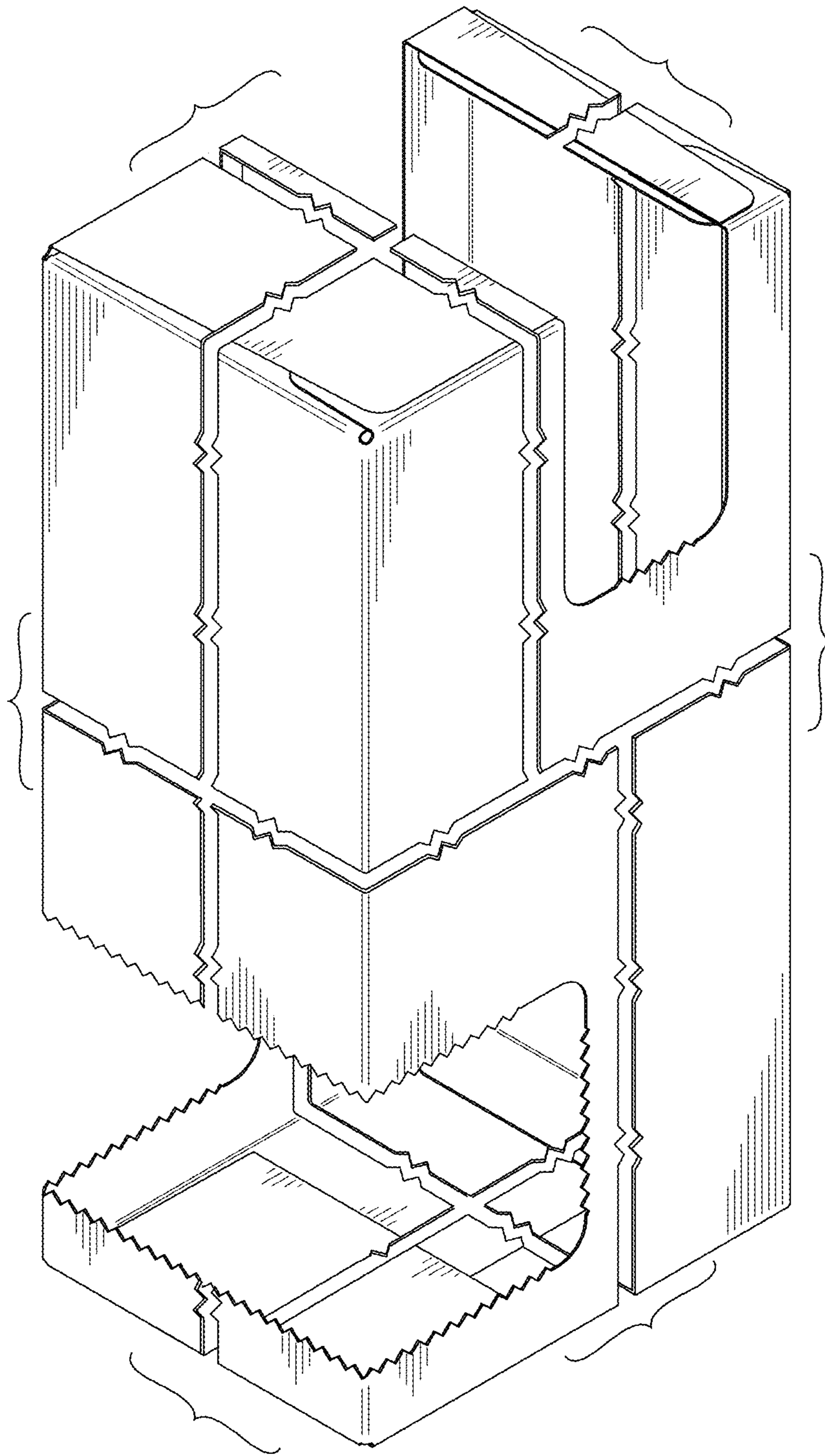


FIG. 9

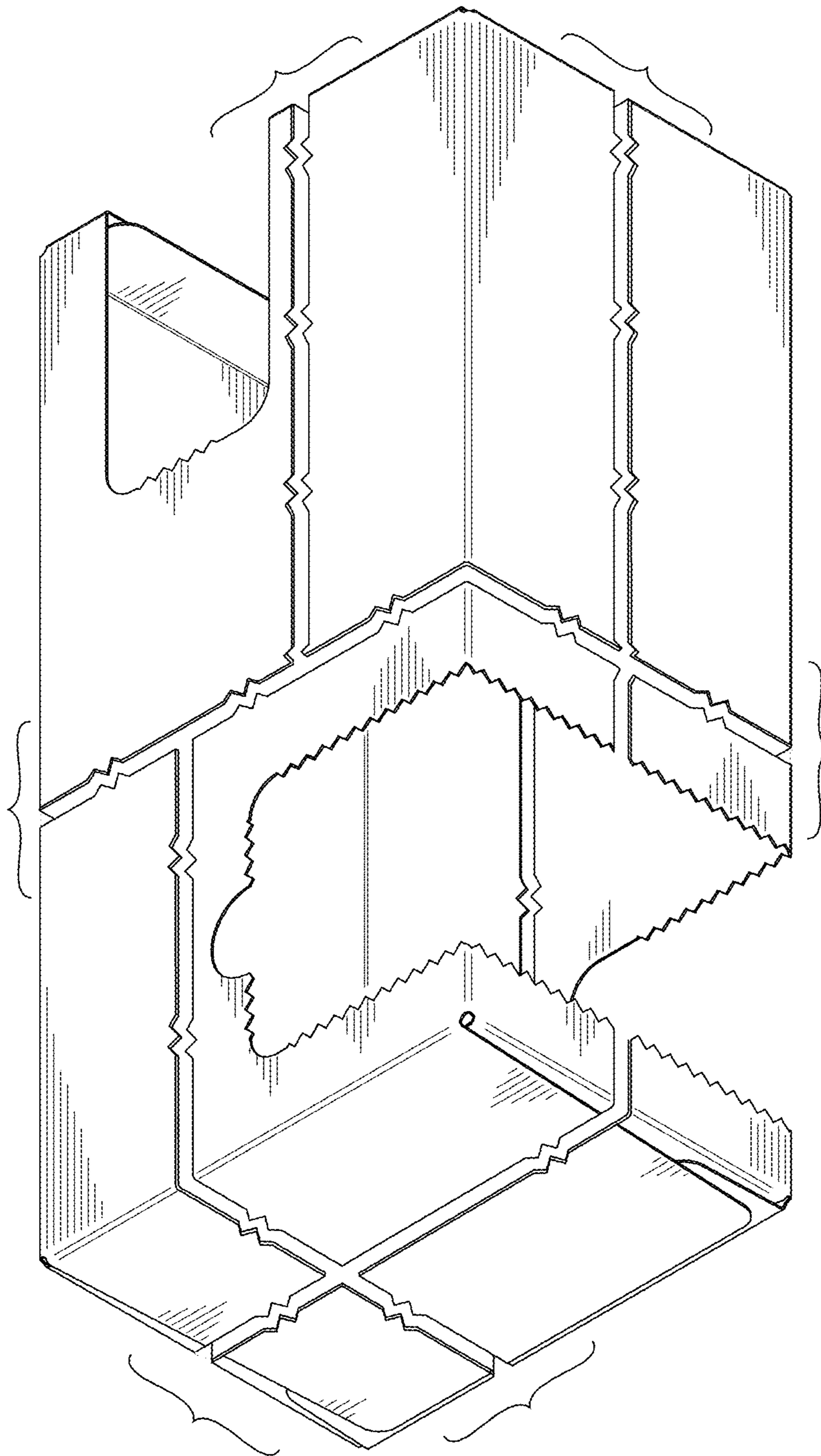


FIG. 10

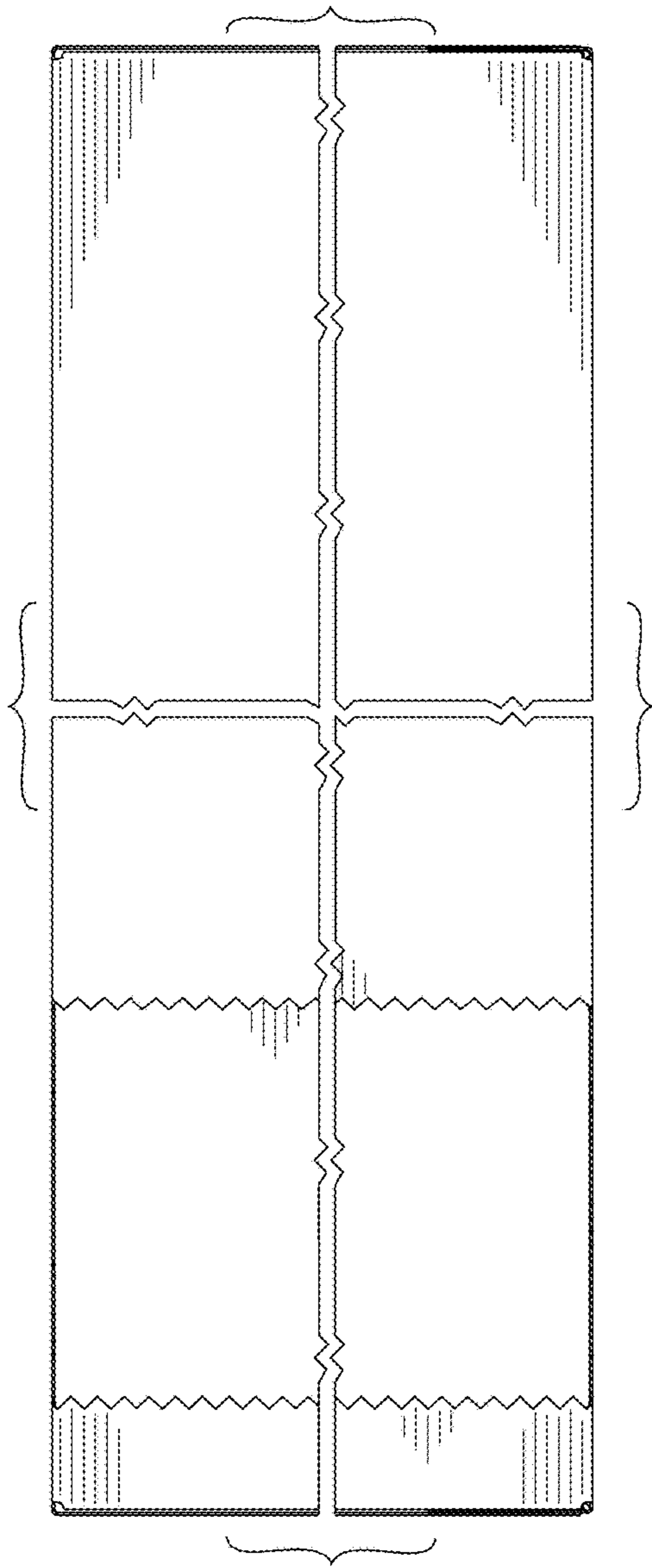


FIG. 11

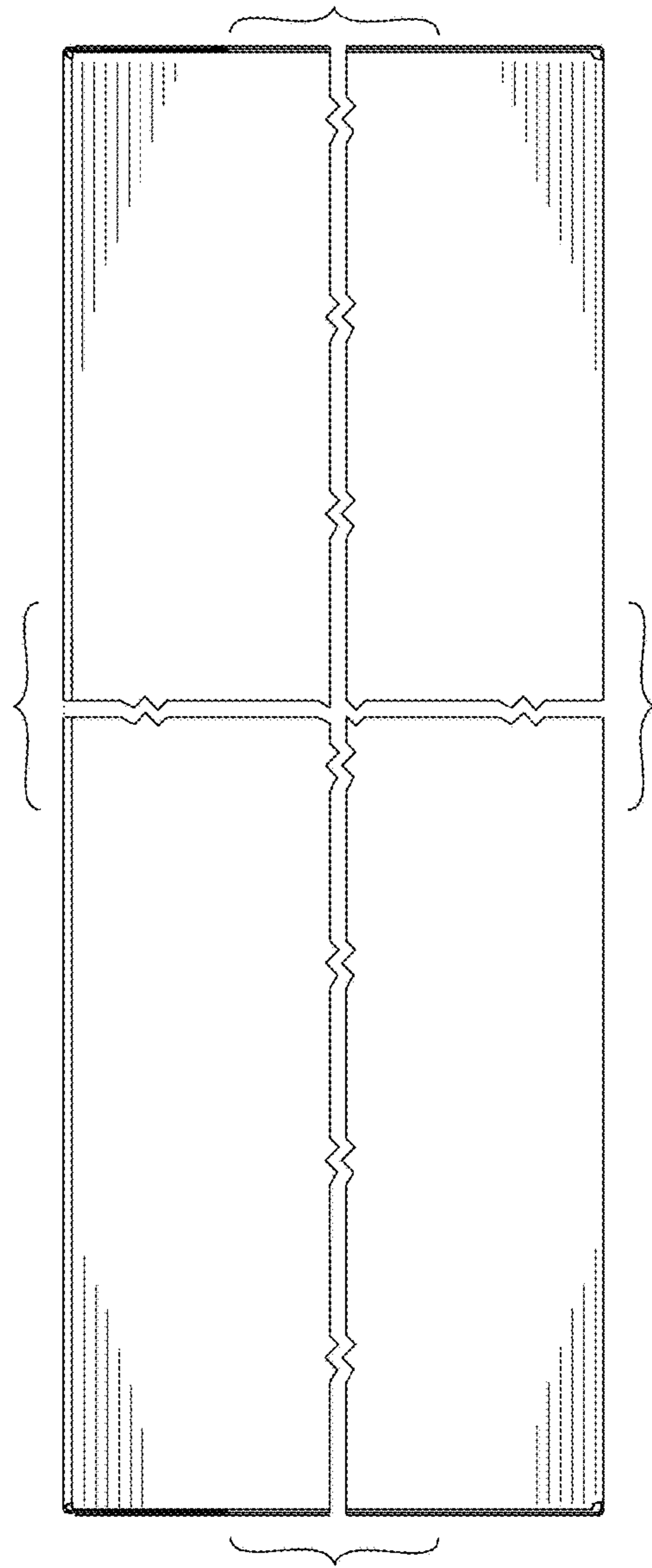


FIG. 12

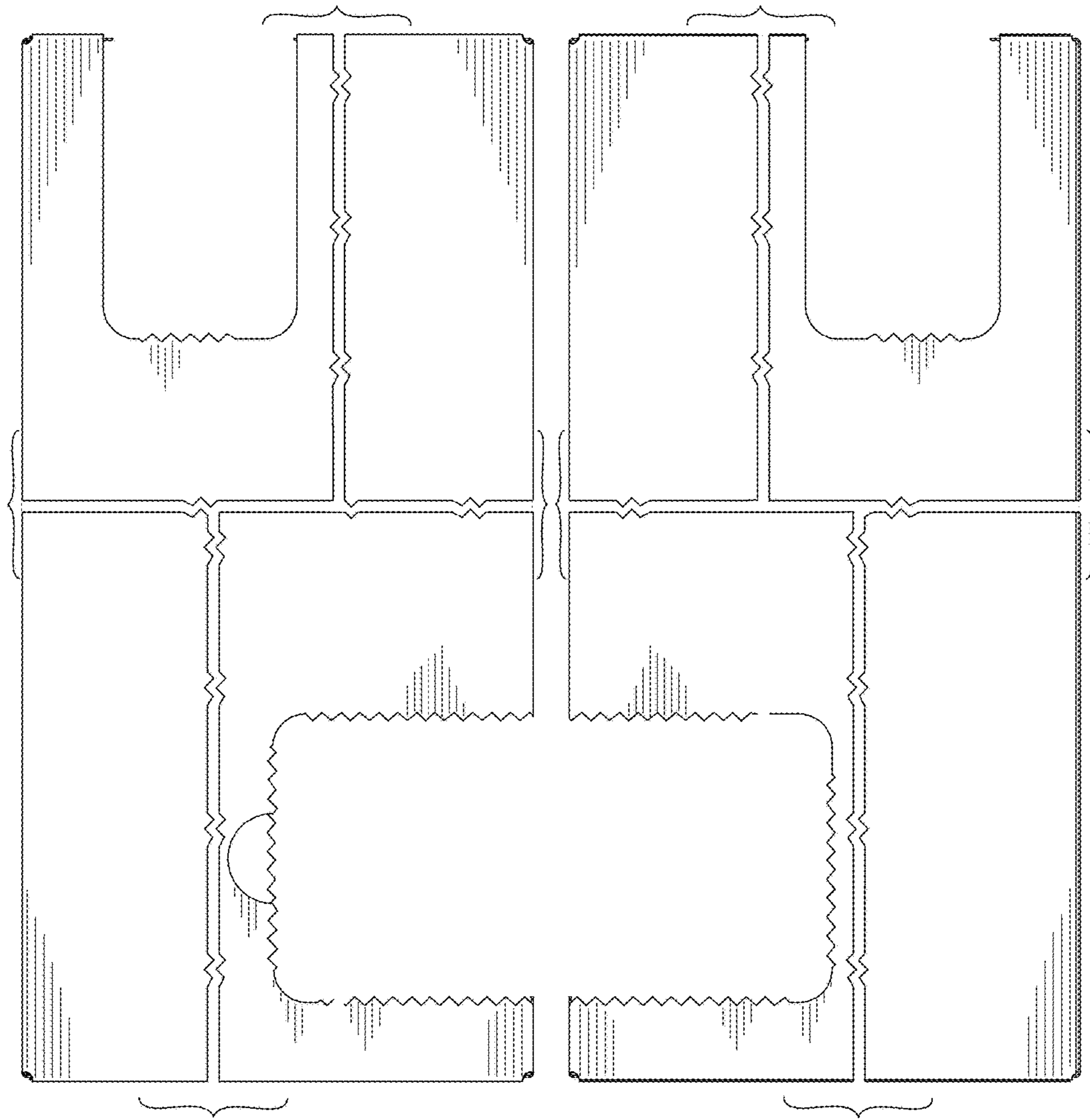


FIG. 13

FIG. 14

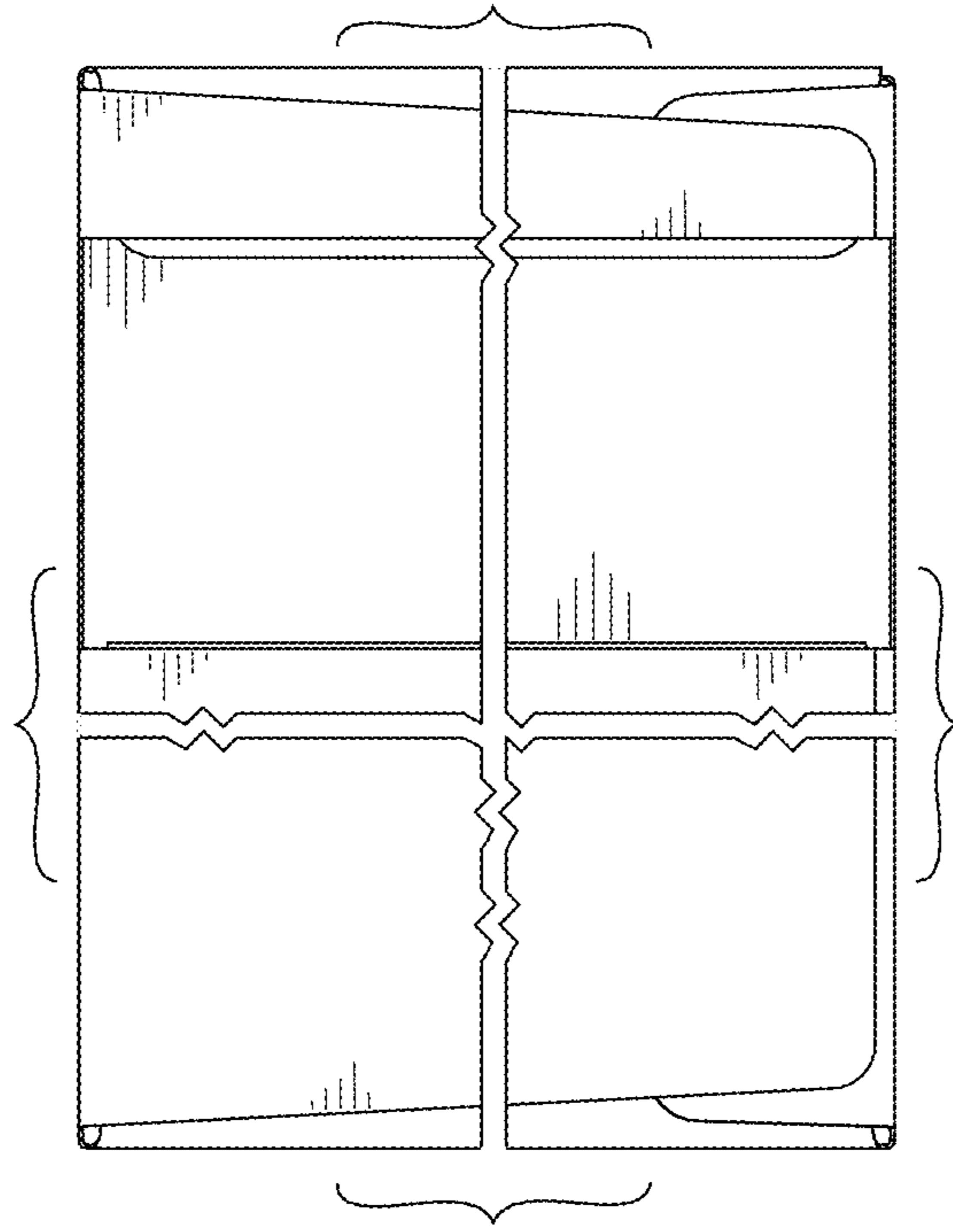


FIG. 15

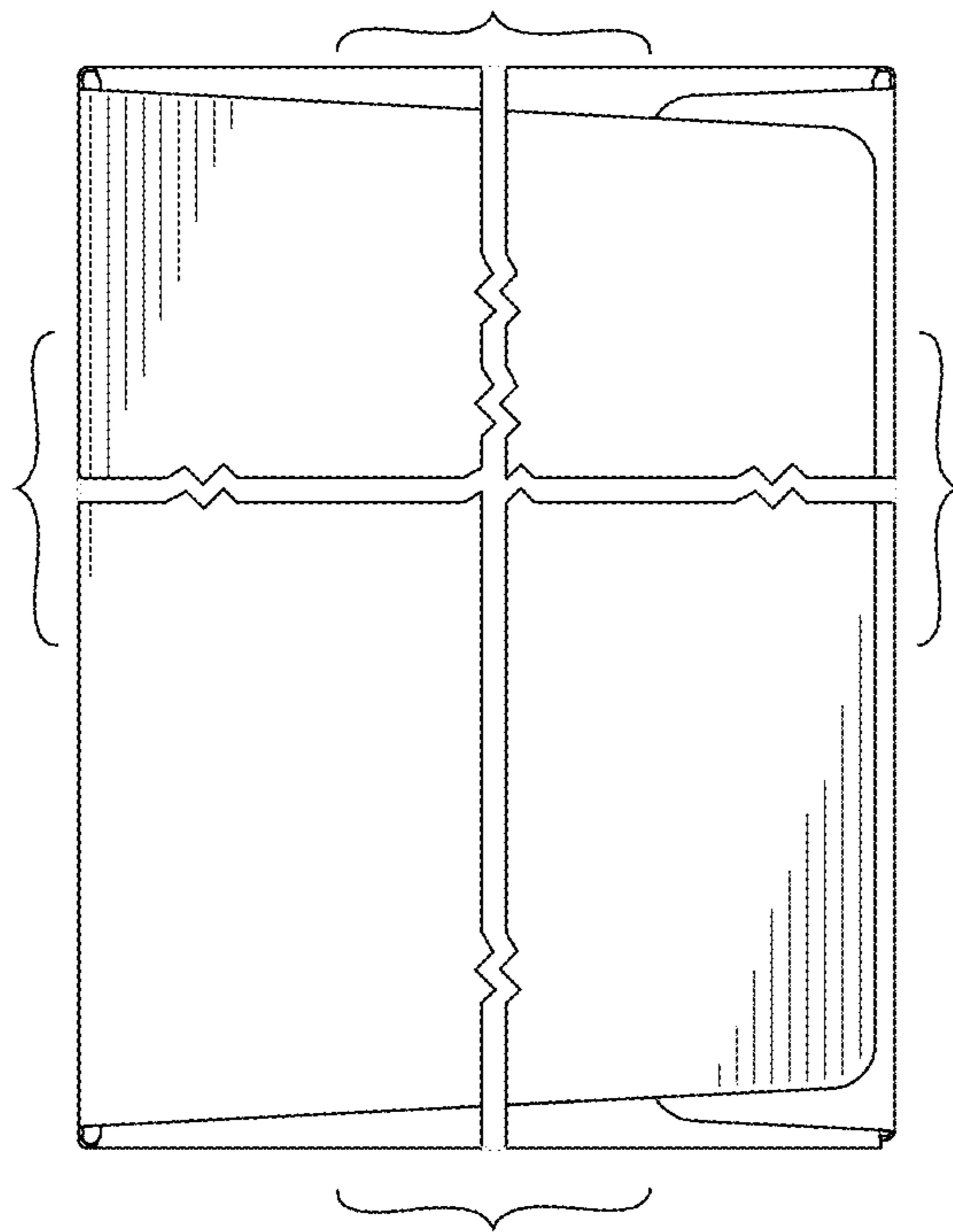


FIG. 16