



US00D837639S

(12) **United States Design Patent**
McCurley et al.

(10) **Patent No.:** **US D837,639 S**
(45) **Date of Patent:** **** Jan. 8, 2019**

(54) **COUPLING CLIP FOR AN ENCLOSURE**

(71) Applicants: **Matthew Robert McCurley**, Atlanta, GA (US); **Paul Wayne Lewis, Jr.**, Sharpsburg, GA (US)

(72) Inventors: **Matthew Robert McCurley**, Atlanta, GA (US); **Paul Wayne Lewis, Jr.**, Sharpsburg, GA (US)

(73) Assignee: **Cooper Technologies Company**, Houston, TX (US)

(**) Term: **15 Years**

(21) Appl. No.: **29/534,809**

(22) Filed: **Jul. 31, 2015**

(51) **LOC (11) Cl.** **08-08**

(52) **U.S. Cl.**
USPC **D8/382**

(58) **Field of Classification Search**
USPC D8/349, 382, 383, 381, 499
CPC H05K 7/1417; H05K 1/02; H05K 5/0217;
H01R 12/7005
See application file for complete search history.

(56) **References Cited**

U.S. PATENT DOCUMENTS

3,927,707 A	12/1975	Wright	
4,314,433 A *	2/1982	Hulcombe E04D 1/34 52/521
4,490,422 A	12/1984	Pascher	
H921 H	5/1991	Wannemacher, Jr.	
5,148,350 A	9/1992	Chan	
5,268,820 A *	12/1993	Tseng H05K 1/141 361/760
D359,444 S *	6/1995	Johansson D6/300
5,458,497 A	10/1995	Yasumara	
5,612,680 A	3/1997	DeSanto	
5,691,504 A	11/1997	Sands et al.	
D415,112 S	10/1999	Henry	

6,005,775 A	12/1999	Chiu	
D432,096 S	10/2000	Jeon	
6,398,121 B1	6/2002	Morgan	
6,544,047 B2	4/2003	Moore	
D525,213 S	7/2006	Enderlein	
D541,752 S	5/2007	Van Haaster	
D557,668 S	12/2007	Sisson	
D560,474 S *	1/2008	Thru D8/382
D574,338 S	8/2008	Karlicek	
D628,459 S *	12/2010	Minkley D8/349
D656,811 S *	4/2012	Giordano D8/349
D663,612 S *	7/2012	Pelc D8/382
D729,611 S *	5/2015	Schmidt D8/349

(Continued)

Primary Examiner — Sandra S Snapp

Assistant Examiner — Ieisha N Price

(74) *Attorney, Agent, or Firm* — King & Spalding LLP

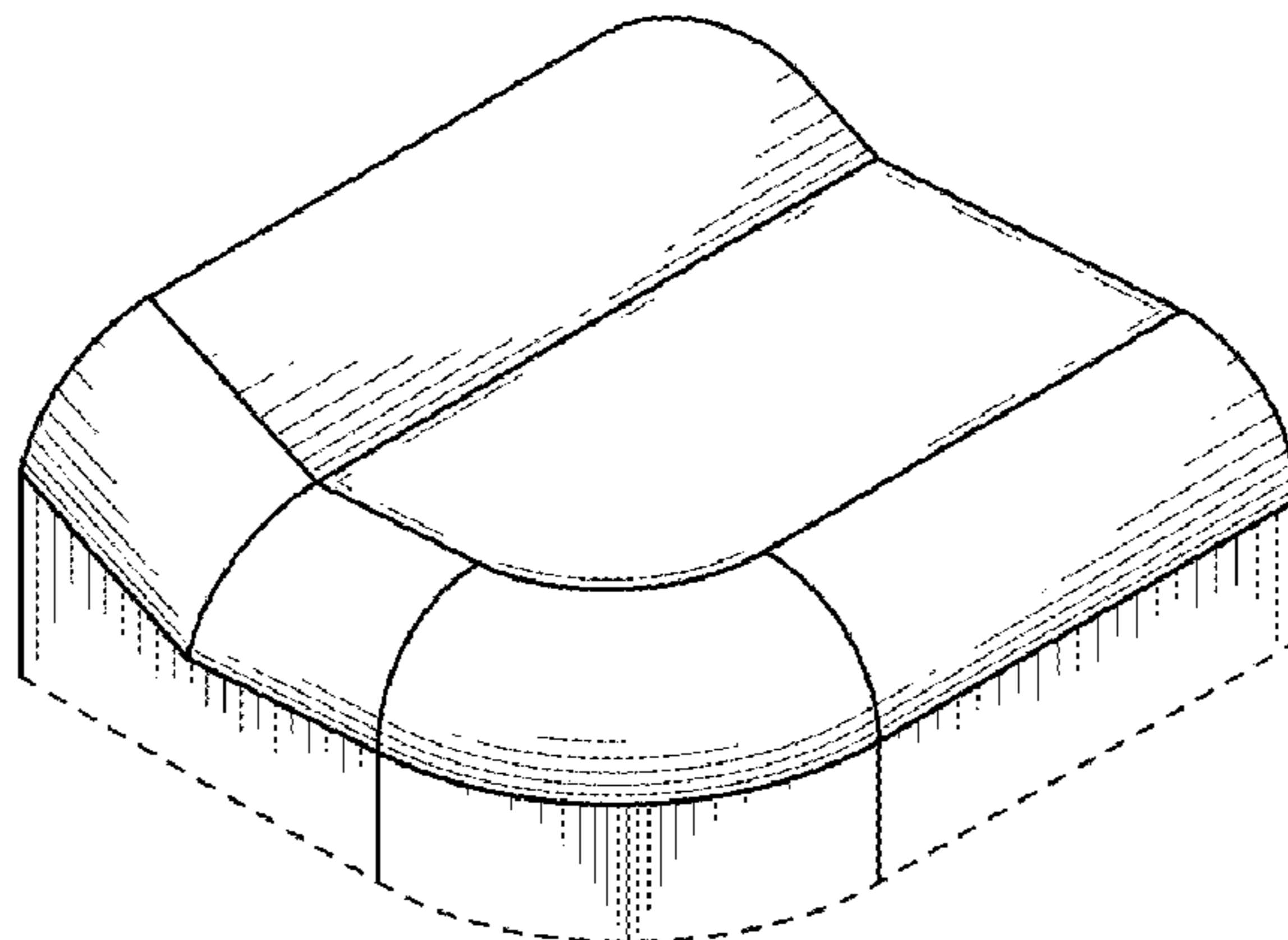
(57) **CLAIM**

The ornamental design for a coupling clip for an enclosure, as shown and described.

DESCRIPTION

FIG. 1 is a rear perspective view of a coupling clip for an enclosure, showing my new design;
 FIG. 2 is a left-side elevation view of the coupling clip for an enclosure of FIG. 1;
 FIG. 3 is a right-side elevation view of the coupling clip for an enclosure of FIG. 1;
 FIG. 4 is a front elevation view of the coupling clip for an enclosure of FIG. 1;
 FIG. 5 is a rear elevation view of the coupling clip for an enclosure of FIG. 1;
 FIG. 6 is a top plan view of the coupling clip for an enclosure of FIG. 1;
 FIG. 7 is a bottom plan view of the coupling clip for an enclosure of FIG. 1; and,
 FIG. 8 is a bottom perspective view of an enclosure that includes the coupling clip for an enclosure of FIG. 1.

1 Claim, 3 Drawing Sheets



(56)

References Cited

U.S. PATENT DOCUMENTS

D734,653 S * 7/2015 Martin D8/349
9,482,892 B2 * 11/2016 Lai G02F 1/133308
9,549,491 B2 * 1/2017 Kurita H05K 9/0035
9,820,402 B2 * 11/2017 McCurley H05K 7/1417
2002/0121008 A1 9/2002 Meyer
2004/0120126 A1 * 6/2004 Chen G06F 1/184
361/759
2004/0257783 A1 12/2004 Hsu
2006/0113184 A1 6/2006 Park
2007/0201191 A1 * 8/2007 Takahashi H05K 7/1417
361/600
2007/0279884 A1 * 12/2007 Hardt H05K 7/1487
361/796
2008/0007931 A1 1/2008 Hartman
2008/0102655 A1 * 5/2008 Lin H05K 7/1417
439/76.1
2008/0227326 A1 * 9/2008 Hsu H05K 7/12
439/346
2010/0200273 A1 8/2010 Seil
2013/0207740 A1 8/2013 Kato
2014/0160715 A1 6/2014 Wacker
2015/0092403 A1 4/2015 Ono
2016/0377257 A1 12/2016 Xu
2017/0034941 A1 * 2/2017 McCurley H05K 7/1417
2017/0045187 A1 2/2017 Li
2017/0122507 A1 5/2017 Hoffman
2017/0198889 A1 7/2017 Li
2017/0287883 A1 10/2017 Marutani
2018/0007801 A1 1/2018 Coffey

* cited by examiner

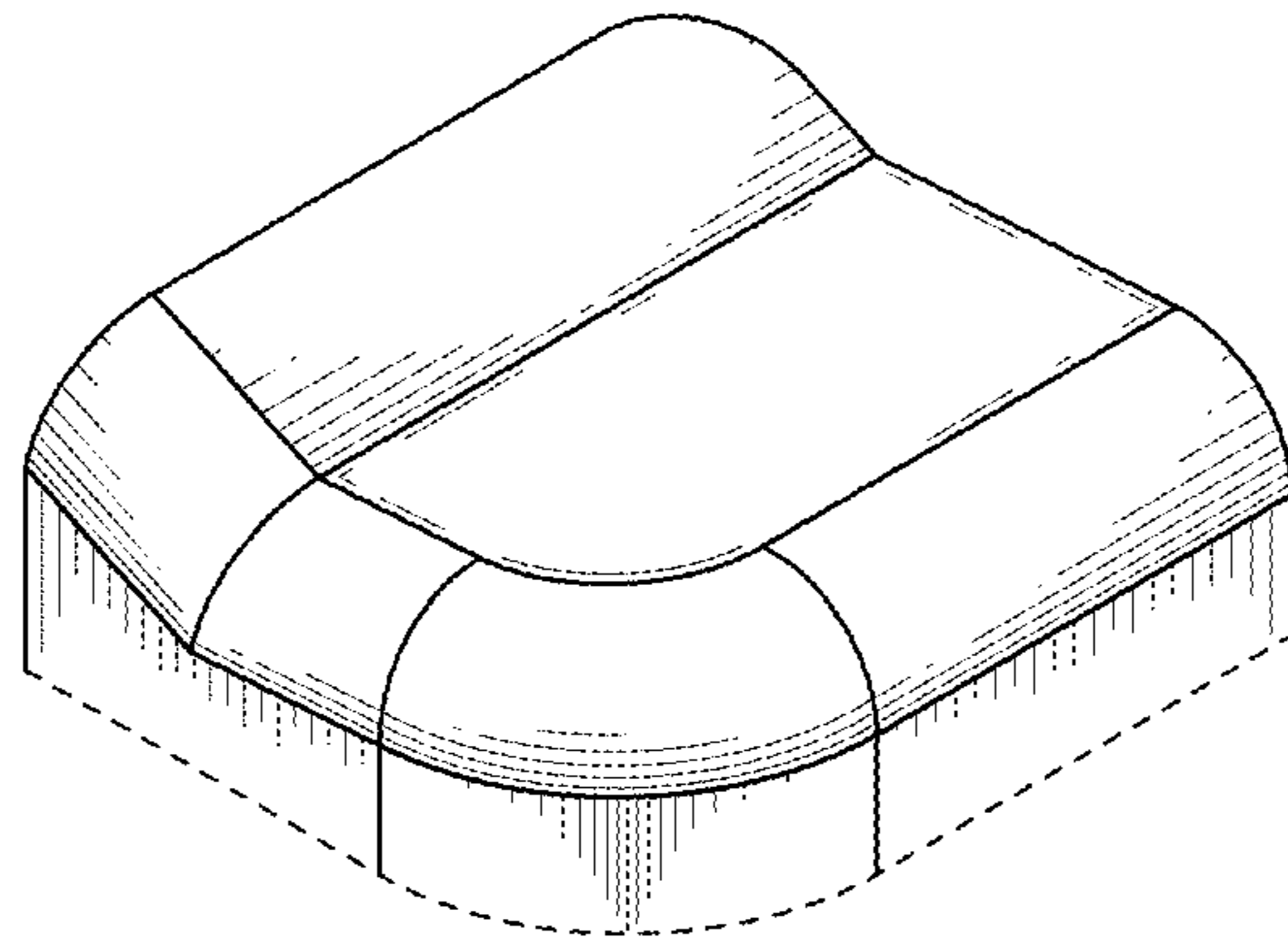


FIG. 1

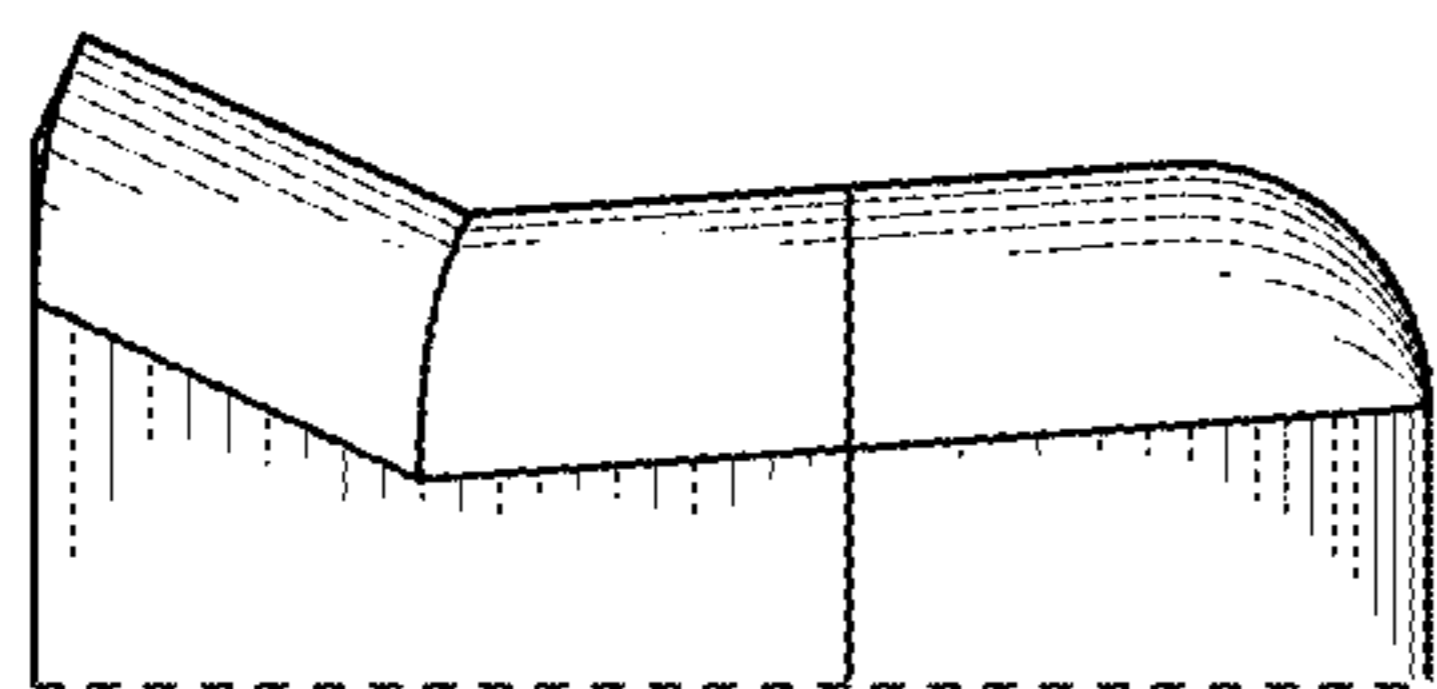


FIG. 2

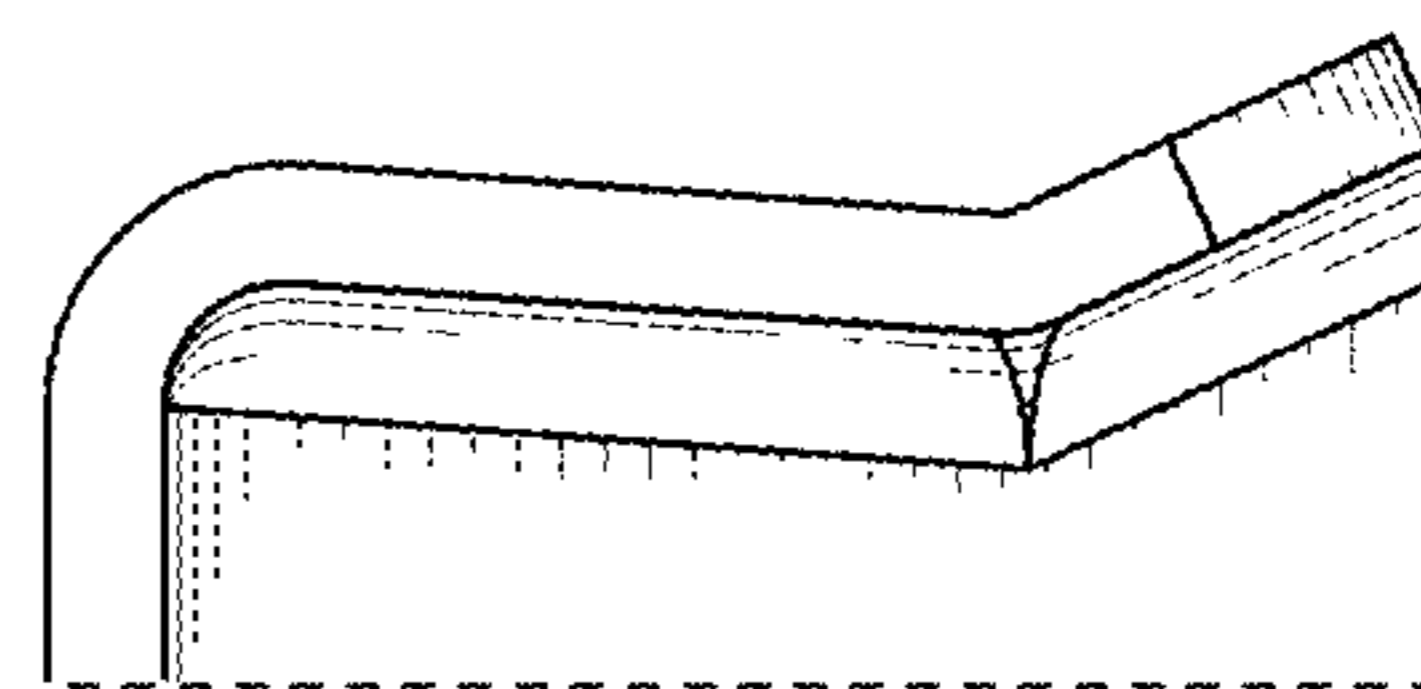


FIG. 3

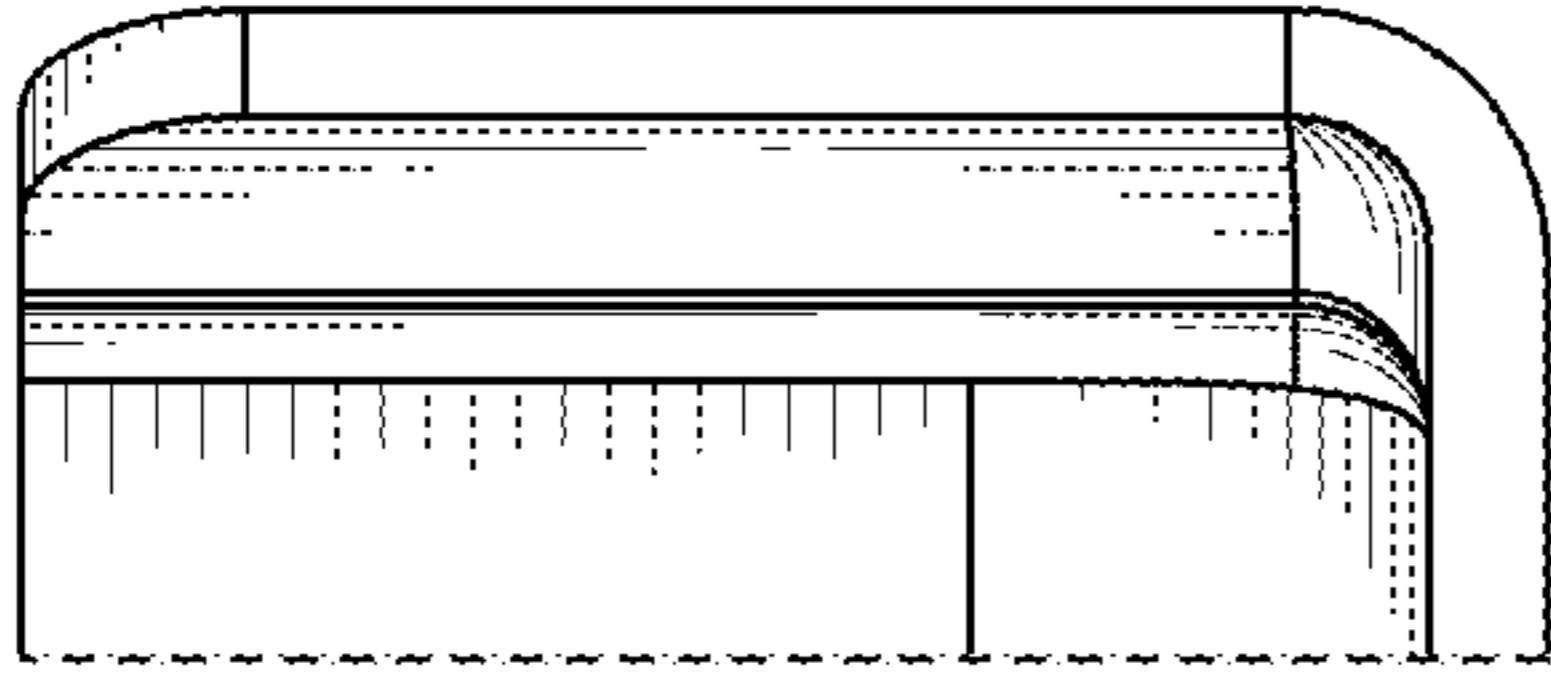


FIG. 4

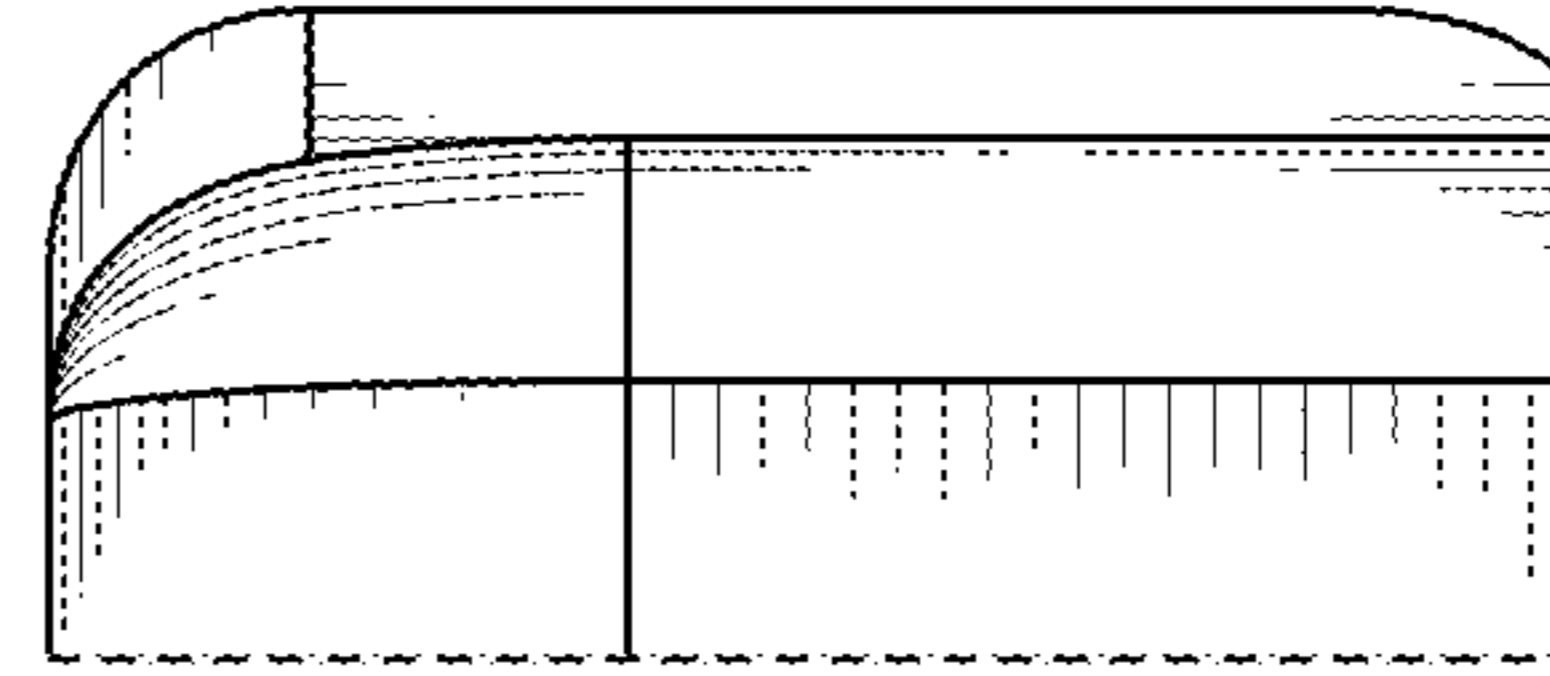


FIG. 5

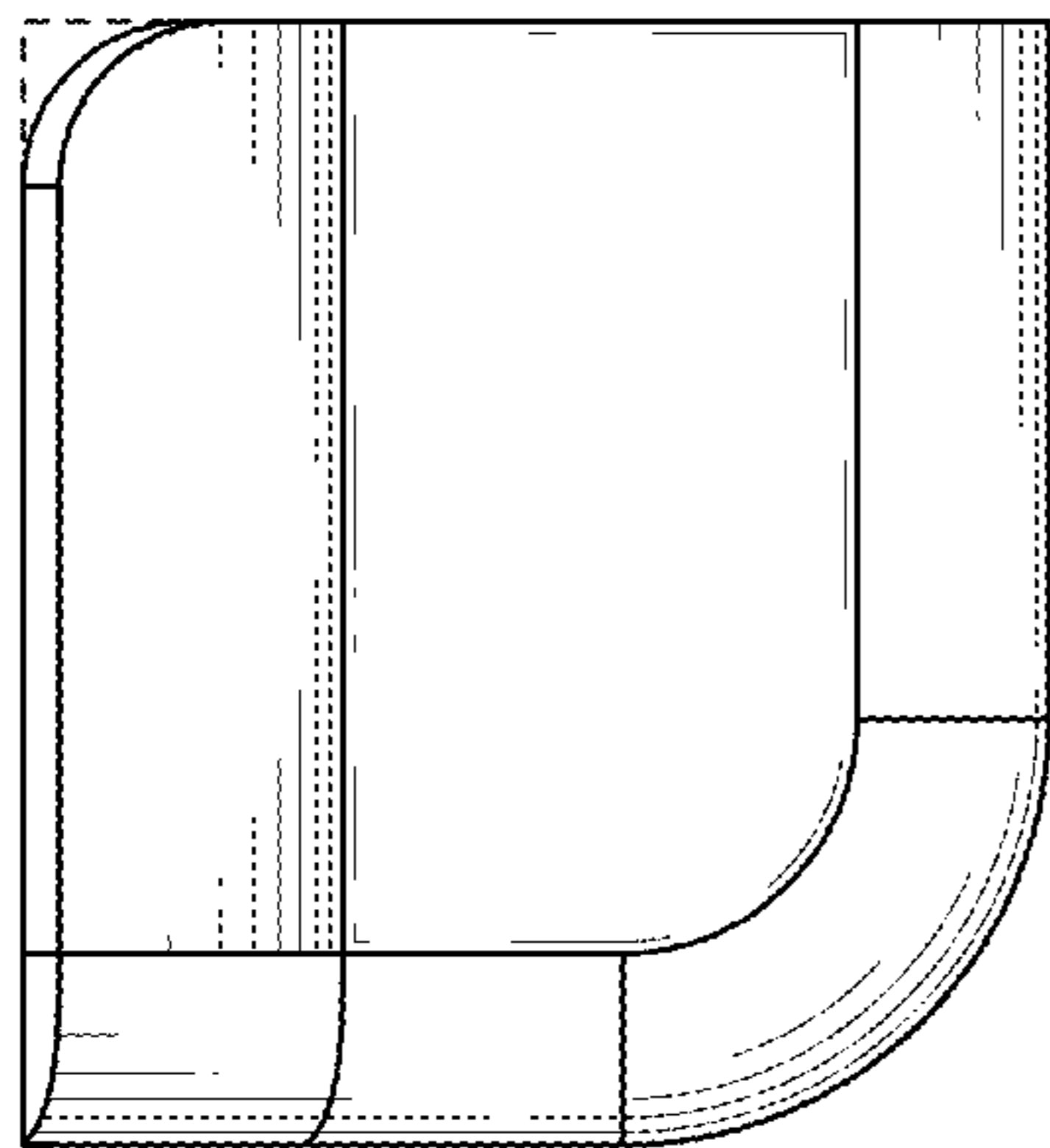


FIG. 6

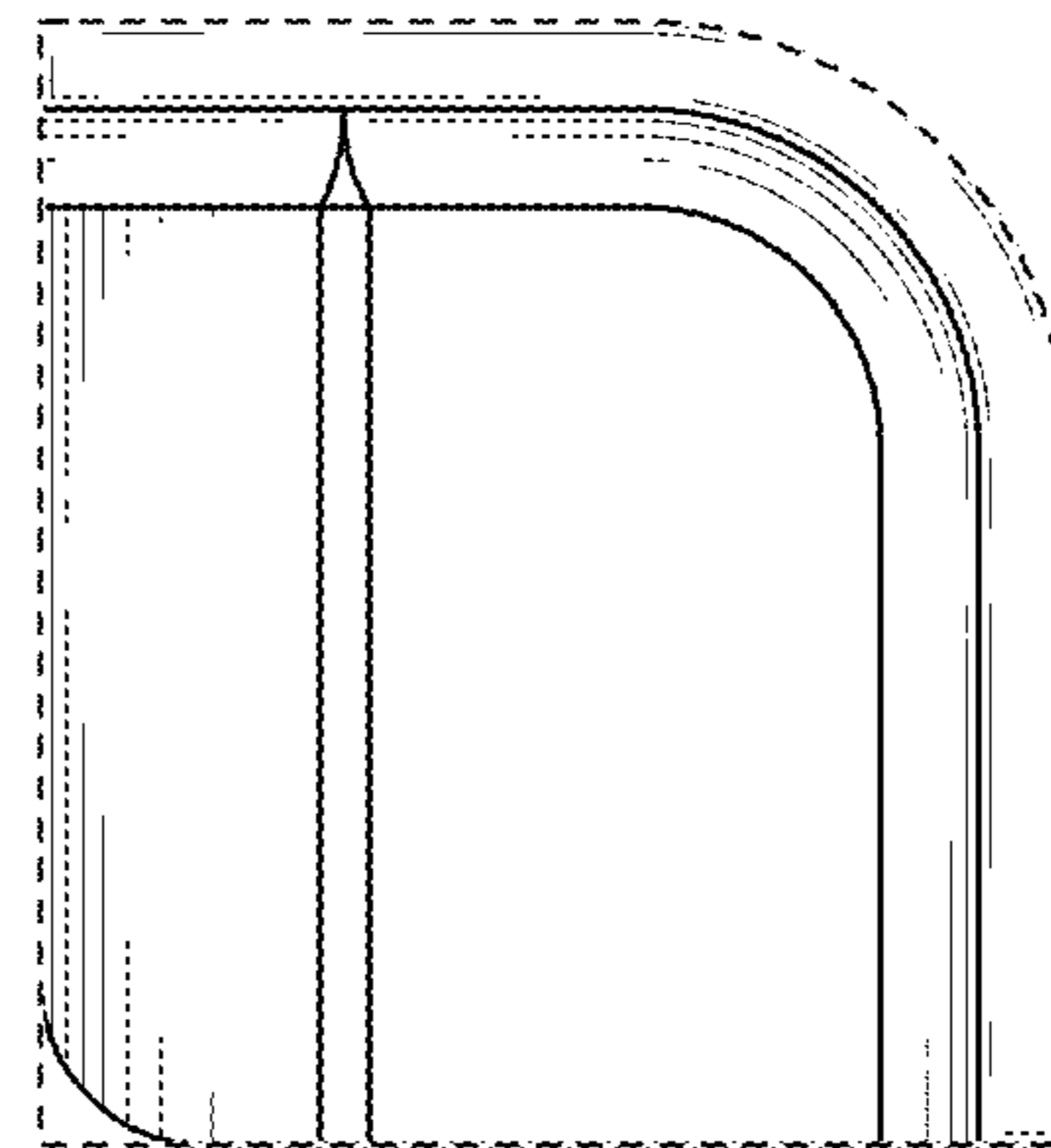


FIG. 7

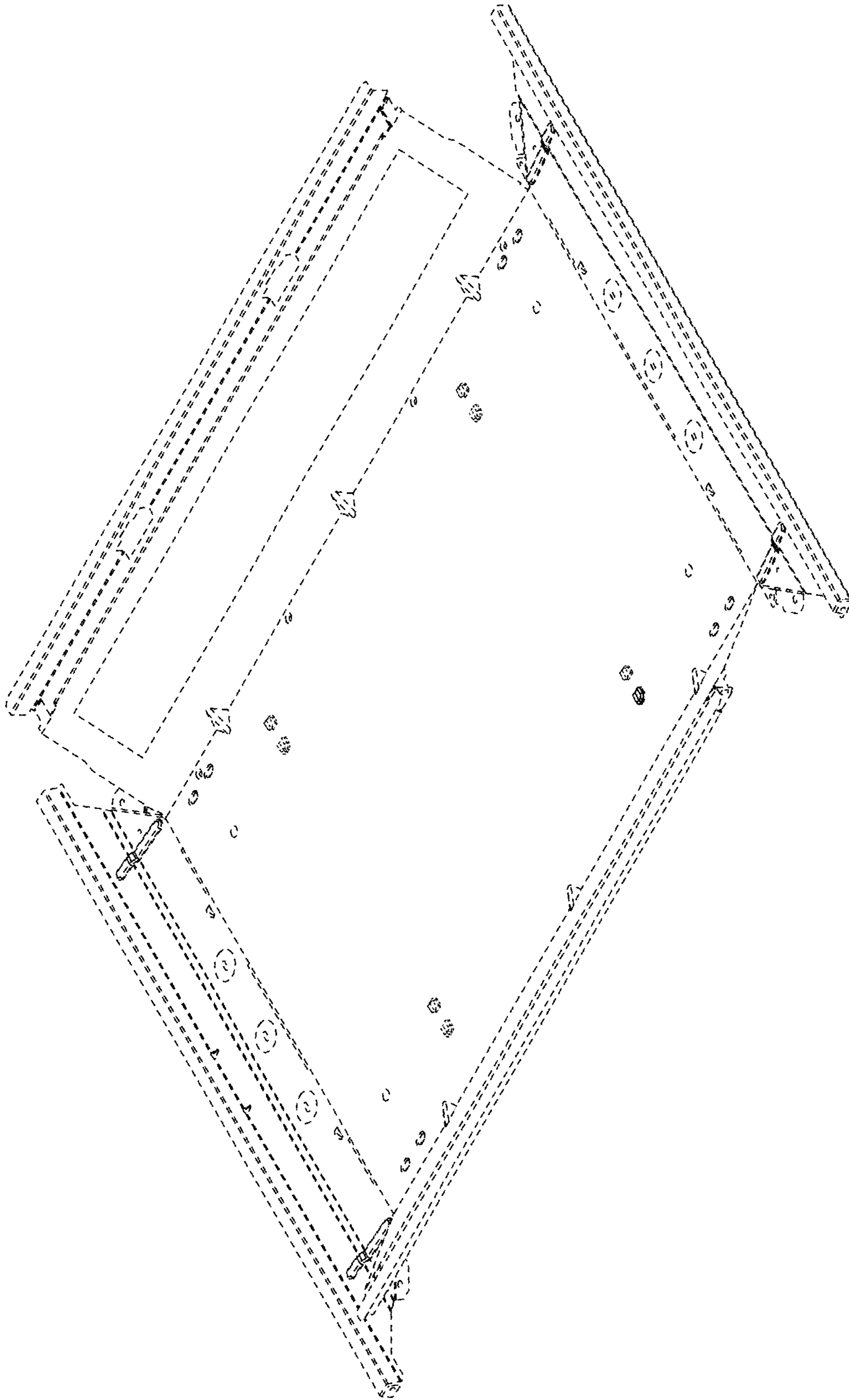


FIG. 8