



US00D837638S

(12) **United States Design Patent**  
**Sargent et al.**

(10) **Patent No.:** **US D837,638 S**  
(45) **Date of Patent:** **\*\* Jan. 8, 2019**

(54) **PIPE SUPPORTING DEVICE**

- (71) Applicant: **MIRO Industries, Inc.**, Heber City, UT (US)
- (72) Inventors: **Nathan Milton Sargent**, Heber City, UT (US); **Nicholas J. Bryan**, Midway, UT (US); **Anthony Jordan Palmer**, Midway, UT (US); **Samuel R. Robins**, Heber City, UT (US)
- (73) Assignee: **MIRO INDUSTRIES, INC.**, Heber City, UT (US)

(\*\*) Term: **15 Years**

(21) Appl. No.: **29/594,752**

(22) Filed: **Feb. 22, 2017**

(51) **LOC (11) Cl.** ..... **08-05**

(52) **U.S. Cl.**  
USPC ..... **D8/380**

(58) **Field of Classification Search**  
USPC ..... D8/380, 381, 400, 402, 499; 248/55, 248/68.1, 74.1  
CPC ..... F16L 3/02  
See application file for complete search history.

(56) **References Cited**

**U.S. PATENT DOCUMENTS**

827,575	A *	7/1906	Smead	.....	F16L 3/18 213/42
D222,578	S *	11/1971	Walker	.....	D8/373
4,017,046	A *	4/1977	Hicks	.....	F16L 3/16 248/49
D257,123	S *	9/1980	Farmer, Jr.	.....	16/82
D257,325	S *	10/1980	Jones	.....	D25/199
D259,395	S *	6/1981	Sugasawara	.....	D8/402
D270,234	S *	8/1983	Shuster	.....	16/82
4,403,759	A *	9/1983	Hicks	.....	F16L 3/18 248/55

(Continued)

**OTHER PUBLICATIONS**

E Block Conduit Support System, posted at versablock.com, posting date not given, [online], [site visited Mar. 28, 2018]. Available from Internet, URL: <http://www.versablock.com/Conduit-Support.html> (Year: 2018).\*

(Continued)

*Primary Examiner* — George D. Kirschbaum

*Assistant Examiner* — Maria J Edwards

(74) *Attorney, Agent, or Firm* — Fabian VanCott; Brian J. Riddle

(57) **CLAIM**

The ornamental design for a pipe supporting device, as shown and described.

**DESCRIPTION**

FIG. 1 is a top perspective view of a pipe supporting device showing the new design.

FIG. 2 is bottom perspective view of the pipe supporting device showing the new design.

FIG. 3 is a top plan view of the pipe supporting device showing the new design.

FIG. 4 is a bottom plan view of the pipe supporting device showing the new design.

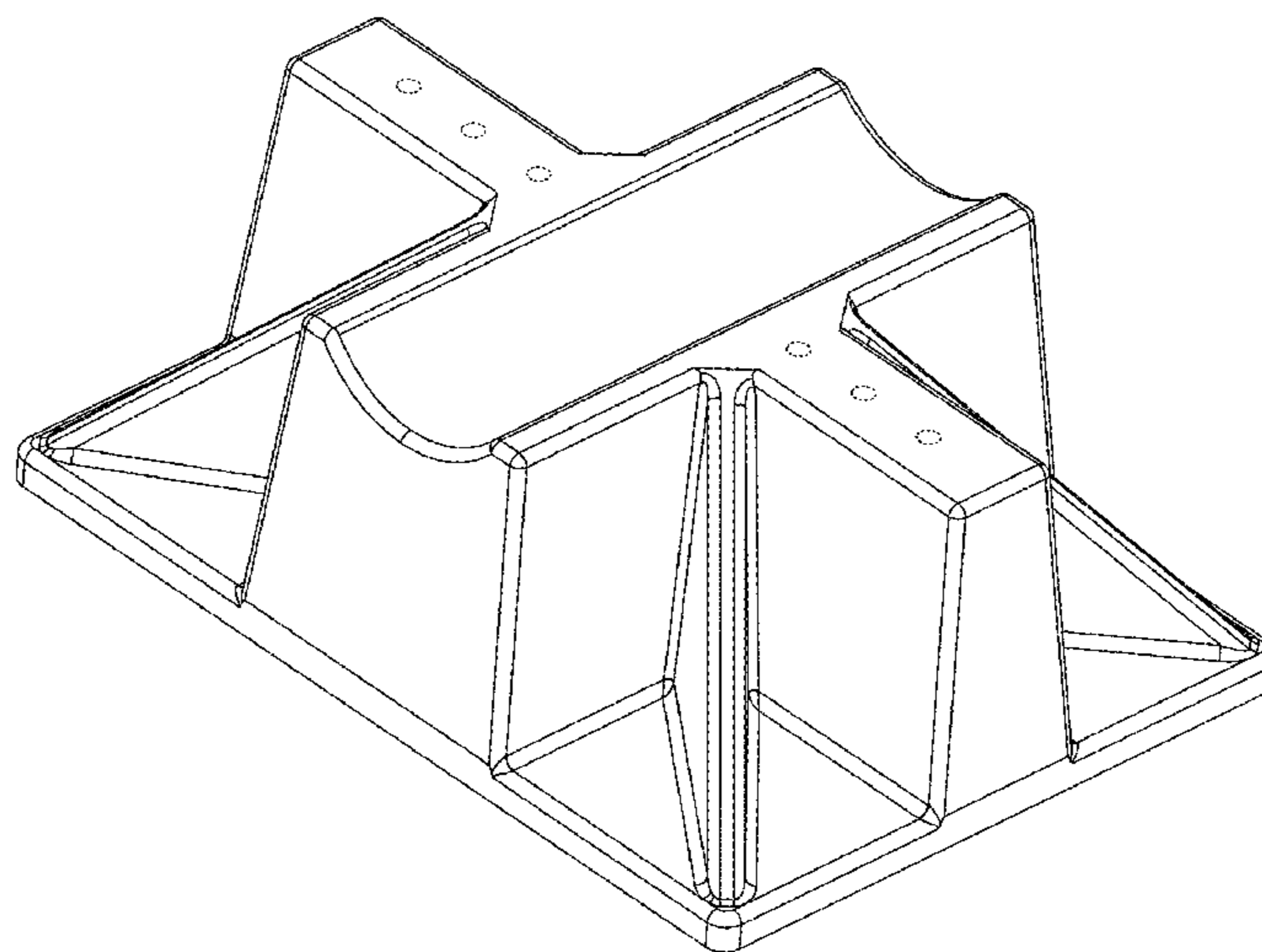
FIG. 5 is a front elevation view of the pipe supporting device showing the new design.

FIG. 6 is a right-side elevation view of the pipe supporting device showing the new design.

FIG. 7 is a left-side elevation view of the pipe supporting device showing the new design, the left-side elevational view of the pipe supporting device being a mirror image of the right-side elevational view of FIG. 6; and,

FIG. 8 is a rear elevation view of the pipe supporting device showing the new design, the rear elevational view of the pipe supporting device being a mirror image of the front elevational view of FIG. 5.

**1 Claim, 8 Drawing Sheets**



(56)

References Cited

U.S. PATENT DOCUMENTS

4,502,653 A \* 3/1985 Curtis, Jr. .... F16L 3/18  
248/55  
4,513,934 A \* 4/1985 Pruyne ..... F16L 3/1218  
248/49  
5,072,901 A \* 12/1991 Scott ..... F16L 1/06  
248/49  
D368,932 S \* 4/1996 Mussalo ..... D19/100  
5,855,342 A \* 1/1999 Hawkins ..... F16L 3/24  
248/55  
D408,726 S \* 4/1999 Vallee ..... D8/380  
D426,454 S \* 6/2000 Kampf ..... D8/380  
6,076,778 A \* 6/2000 Brown ..... F16L 3/227  
248/49  
D436,522 S \* 1/2001 Neider ..... D8/380  
D466,393 S \* 12/2002 Neider ..... D8/354  
D469,939 S \* 2/2003 Speckhart, Jr. .... D34/35  
6,520,456 B1 \* 2/2003 Neider ..... F16L 3/01  
248/49  
6,648,281 B1 \* 11/2003 Lake ..... A62C 33/06  
248/49  
D521,851 S \* 5/2006 Smart ..... D8/354  
7,441,731 B2 \* 10/2008 Smart ..... F16L 3/02  
248/68.1  
D713,947 S \* 9/2014 Jensen ..... D23/322  
8,931,977 B2 \* 1/2015 Connors ..... B23K 37/0533  
405/184.4  
D753,475 S \* 4/2016 Chappus ..... D8/380

D758,834 S \* 6/2016 Tally ..... D8/380  
D767,796 S \* 9/2016 Kinsman ..... D25/133  
D793,213 S \* 8/2017 Heymann ..... D8/380  
2006/0131469 A1 \* 6/2006 Roy ..... F16L 3/02  
248/346.03  
2008/0054143 A1 \* 3/2008 Collins ..... F16L 3/02  
248/227.2  
2016/0221715 A1 \* 8/2016 Pratt ..... B65D 19/44

OTHER PUBLICATIONS

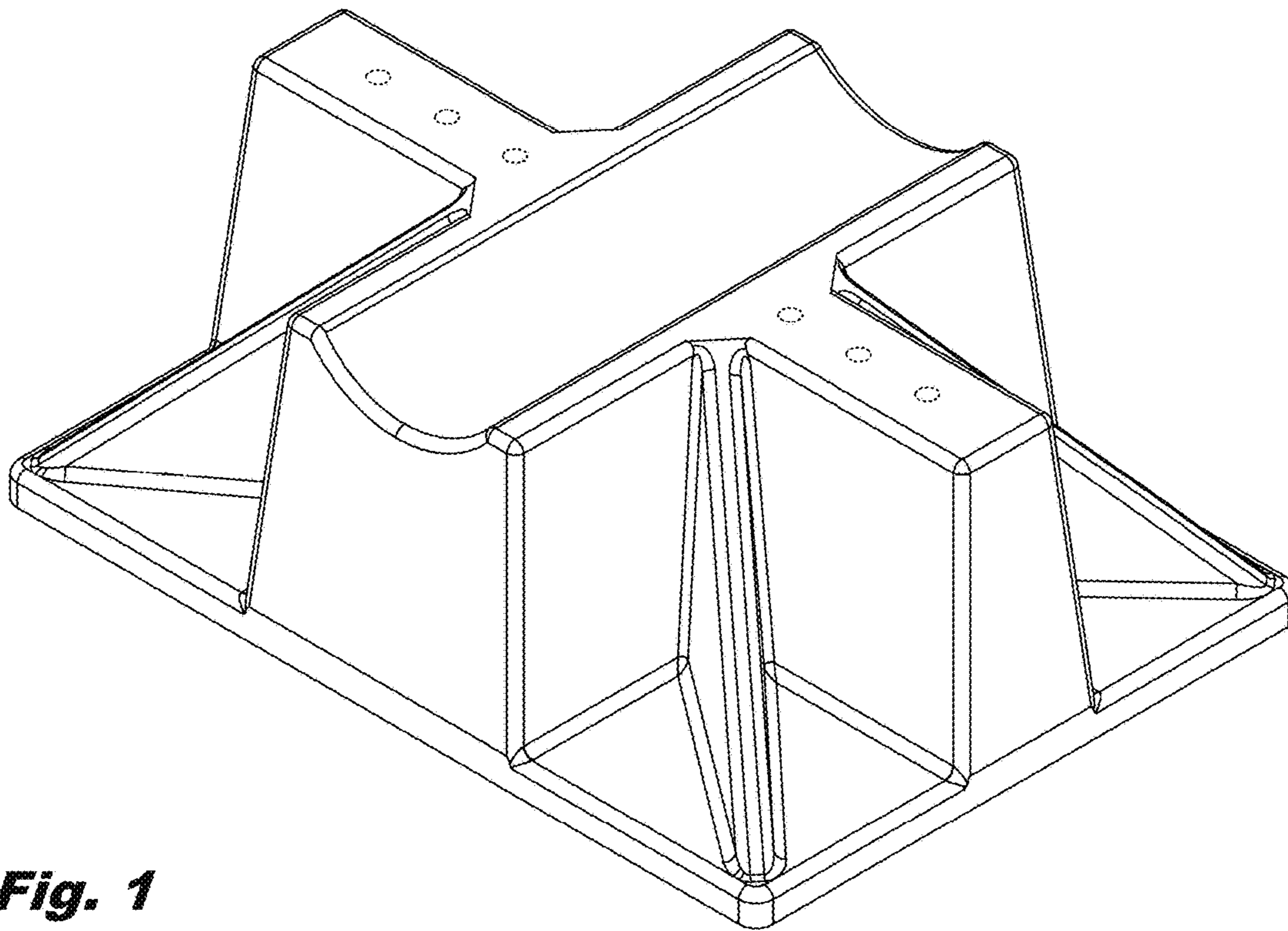
HDPE Cable Pipe Plastic Support Block, posted at alibaba.com, posting date not given, [online], [site visited Mar. 28, 2018]. Available from Internet, URL: [https://www.alibaba.com/product-detail/HDPE-cable-pipe-plastic-support-block\\_60309545960.html](https://www.alibaba.com/product-detail/HDPE-cable-pipe-plastic-support-block_60309545960.html) (Year: 2018).\*

Miro Industries RSS3 Rooftop Sleeper Support, posted at bigrocksupply.com, posting date not given, [online], [site visited Mar. 28, 2018]. Available from Internet, URL: <https://www.bigrocksupply.com/Miro-R553-Rooftop-Sleeper-Support.aspx> (Year: 2018).\*

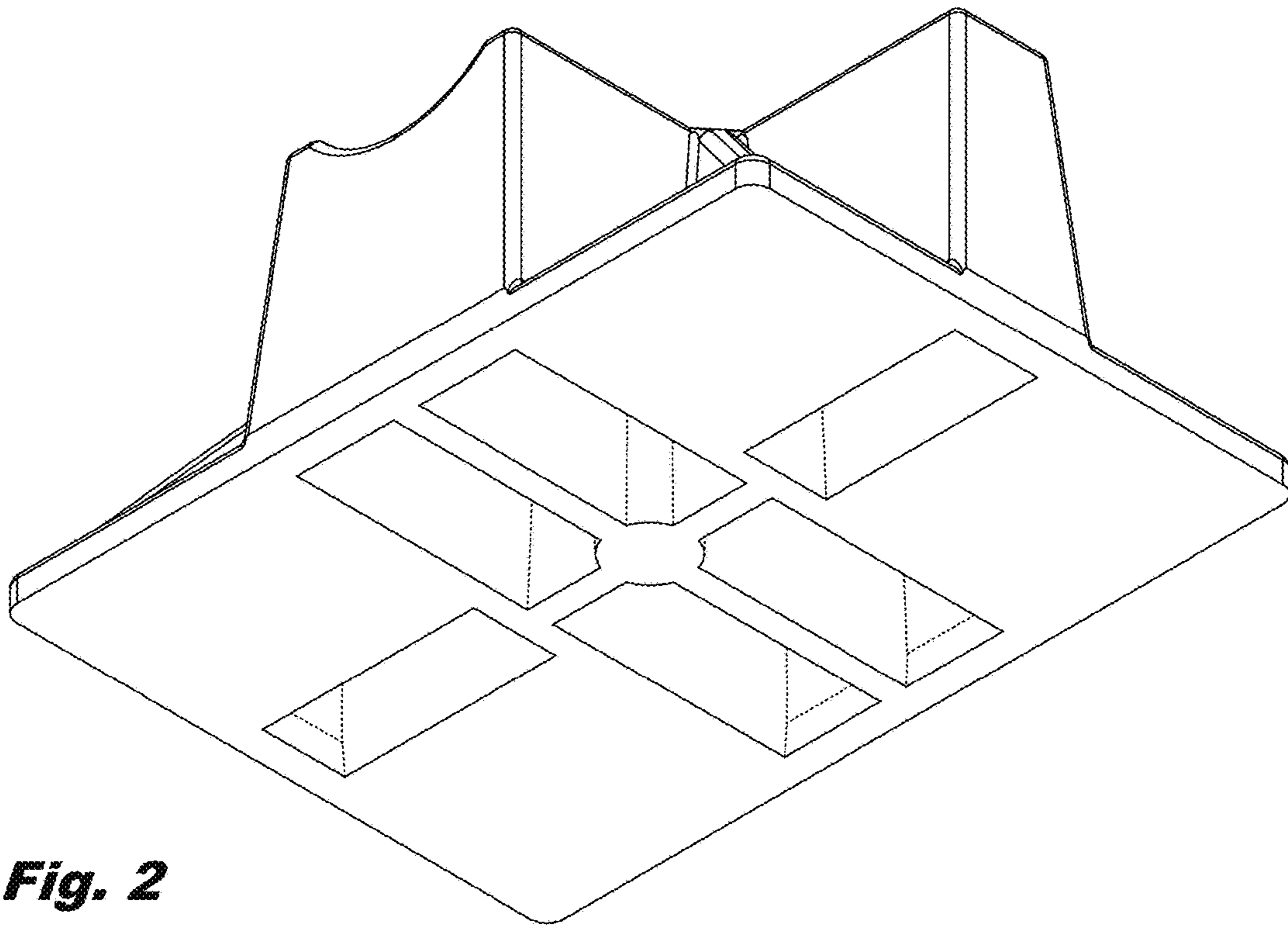
Miro UNI-FLEX Base Support, posted at pipesupportexpress.com, posting date not given, [online], [site visited Mar. 28, 2018]. Available from Internet, URL: <http://www.pipesupportexpress.com/store/p/3336-Miro-UNI-FLEX-Base-Support.aspx> (Year: 2018).\*

Model 1-5, posted at miroind.com, posting date not given, [online], [site visited Mar. 28, 2018]. Available from Internet, URL: <http://www.miroind.com/products/model-1-5/> (Year: 2018).\*

\* cited by examiner

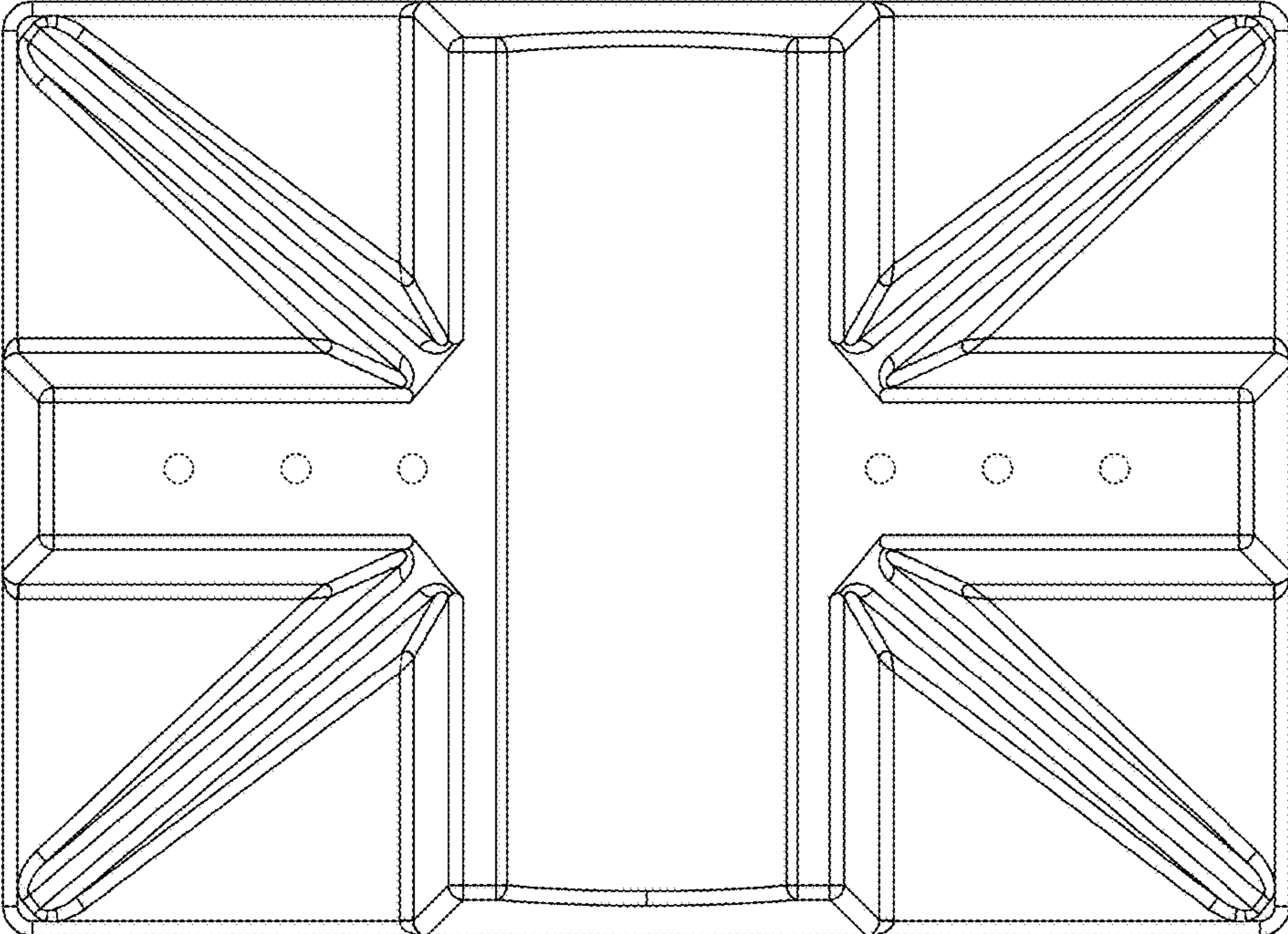


**Fig. 1**

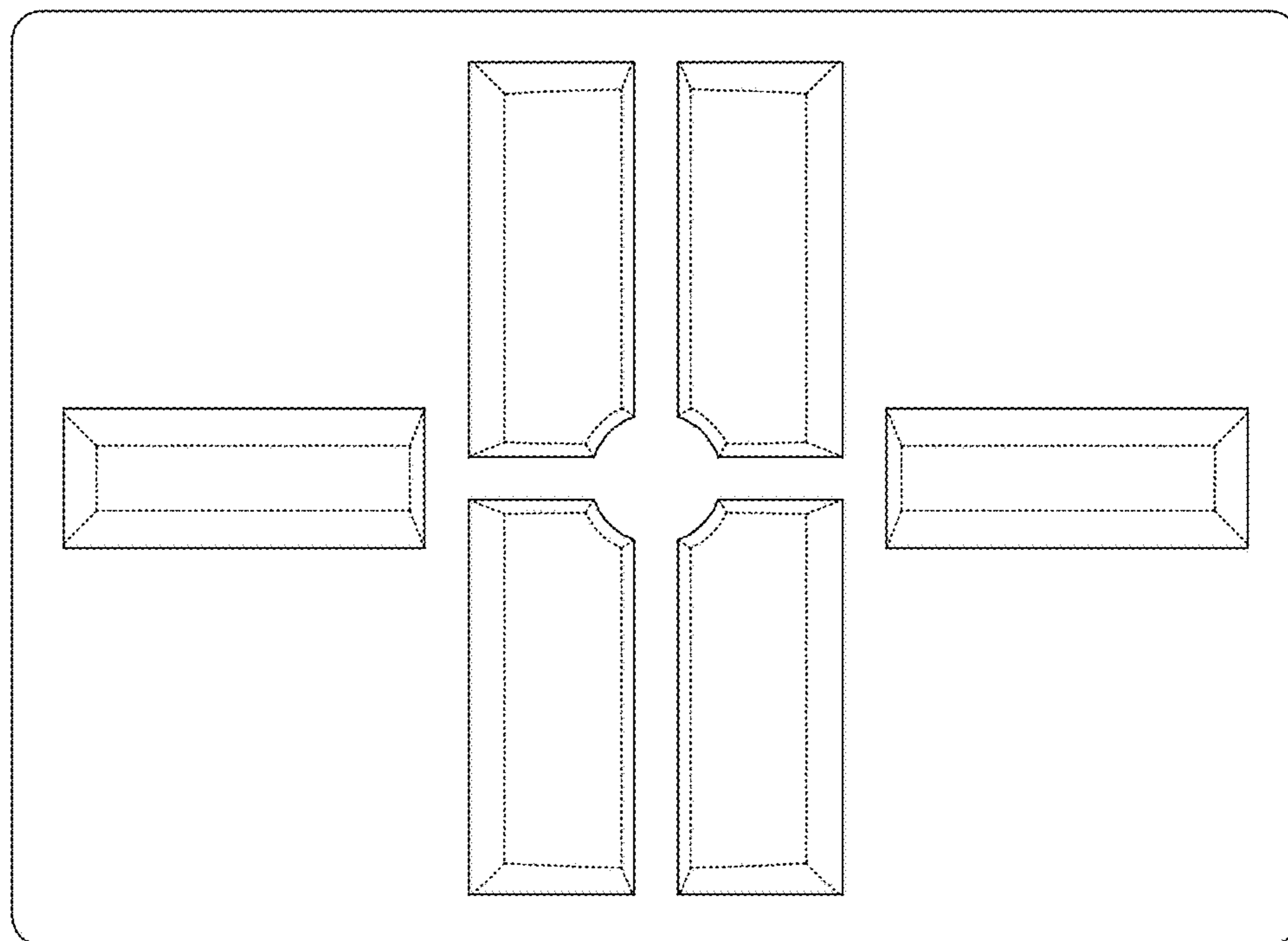


**Fig. 2**

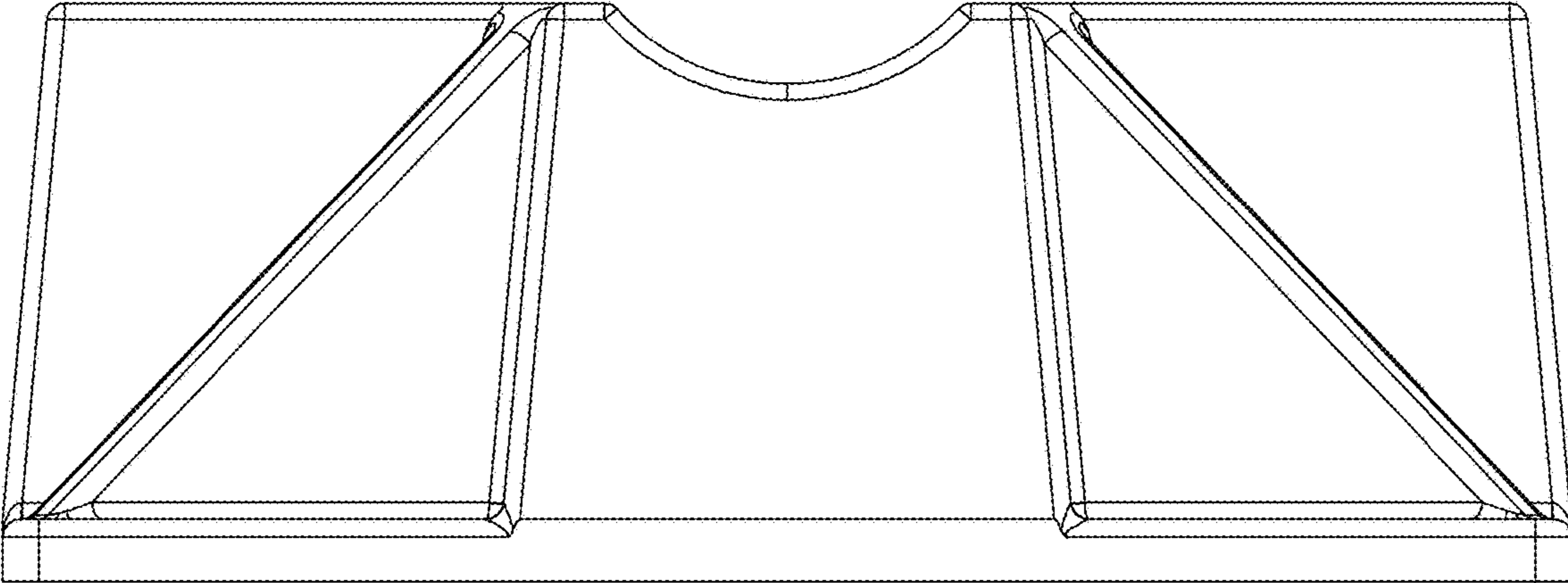




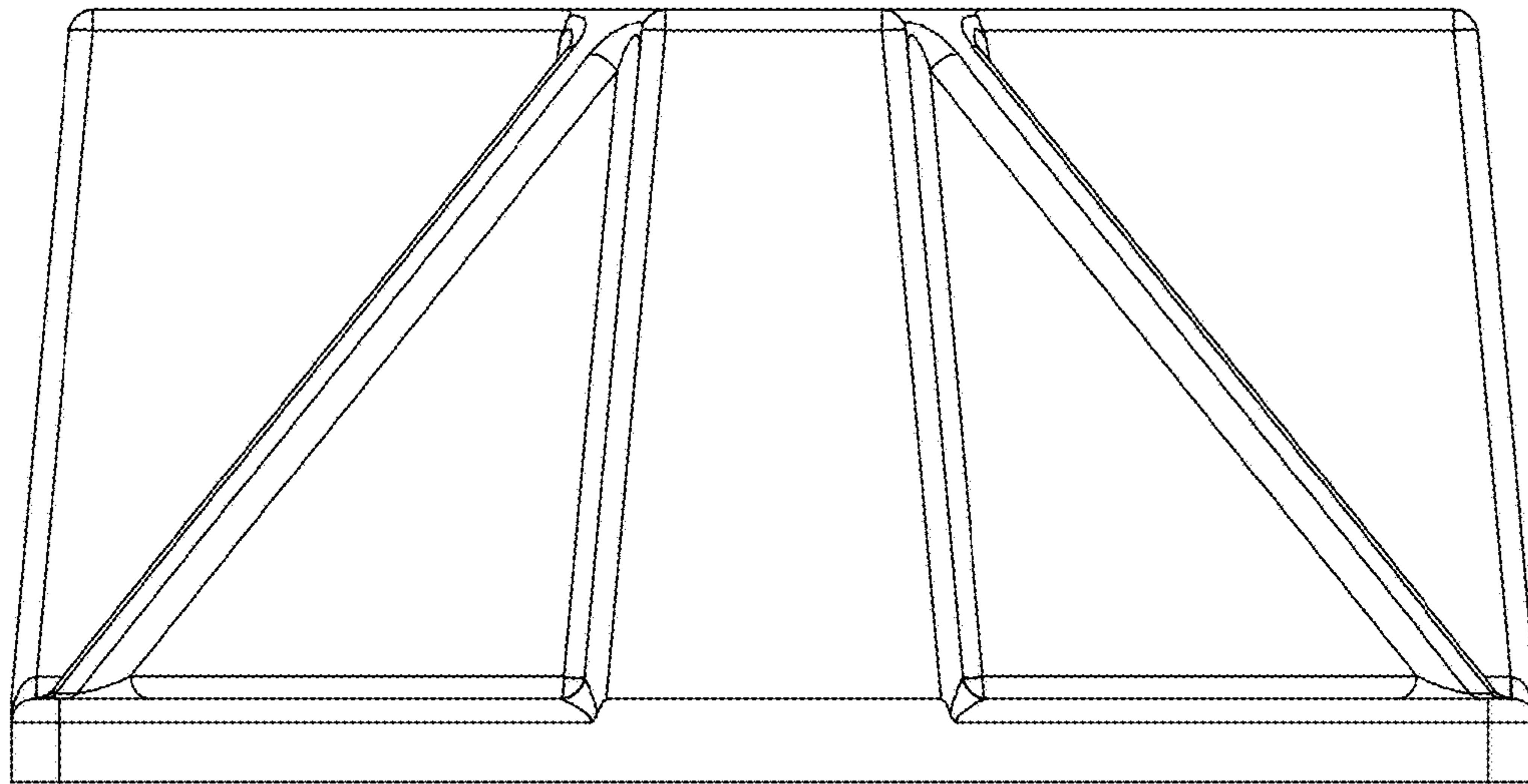
**Fig. 3**



**Fig. 4**

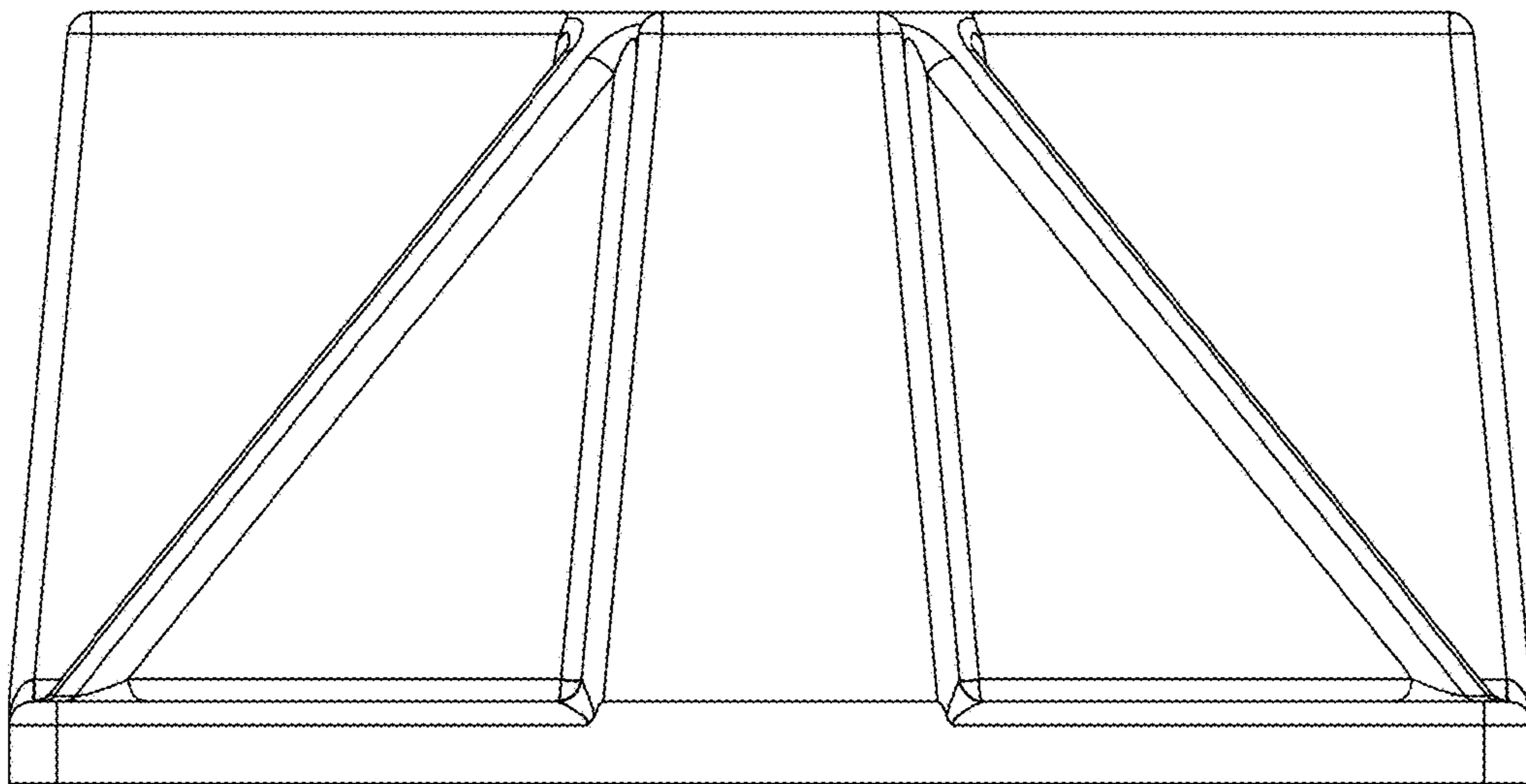


**Fig. 5**

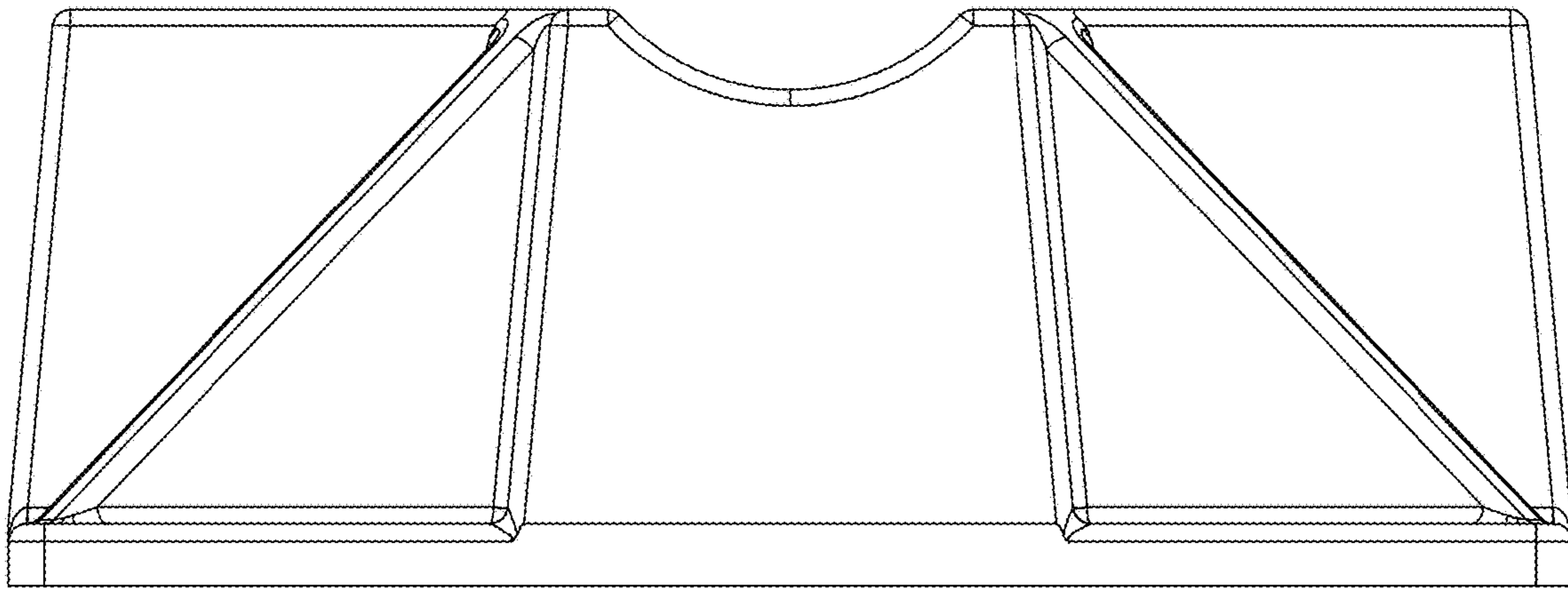


**Fig. 6**





**Fig. 7**



**Fig. 8**