

US00D837637S

(12) **United States Design Patent**
Hack

(10) **Patent No.:** **US D837,637 S**

(45) **Date of Patent:** **** Jan. 8, 2019**

(54) **CHAIN HOLDER**

(71) Applicant: **GR Innovations LLC**, Waterford, MI (US)

(72) Inventor: **Gregory D. Hack**, Waterford, MI (US)

(73) Assignee: **GR Innovations LLC**, Hadley, MI (US)

(**) Term: **15 Years**

(21) Appl. No.: **29/647,213**

(22) Filed: **May 10, 2018**

Related U.S. Application Data

(62) Division of application No. 29/596,720, filed on Mar. 10, 2017, now Pat. No. Des. 820,069.

(51) **LOC (11) Cl.** **08-05**

(52) **U.S. Cl.**
USPC **D8/367; D8/372**

(58) **Field of Classification Search**
USPC D8/367, 354, 349, 394, 372, 373, 356;
D6/323, 320, 324; D11/12, 56
CPC F16L 3/13; F16L 3/26; A47G 23/0225;
A47G 25/06; A47G 1/16; A47G 25/0607;
A47G 1/17; A47F 5/0846; A47F 5/02;
H02G 11/003; D06F 55/00; E04H 17/10;
A47K 10/04
See application file for complete search history.

(56) **References Cited**

U.S. PATENT DOCUMENTS

D168,074 S * 10/1952 Symington D8/354
3,484,069 A * 12/1969 Larson A47F 5/0823
211/100

(Continued)

Primary Examiner — Cynthia R Underwood

(74) *Attorney, Agent, or Firm* — Fishman Stewart PLLC

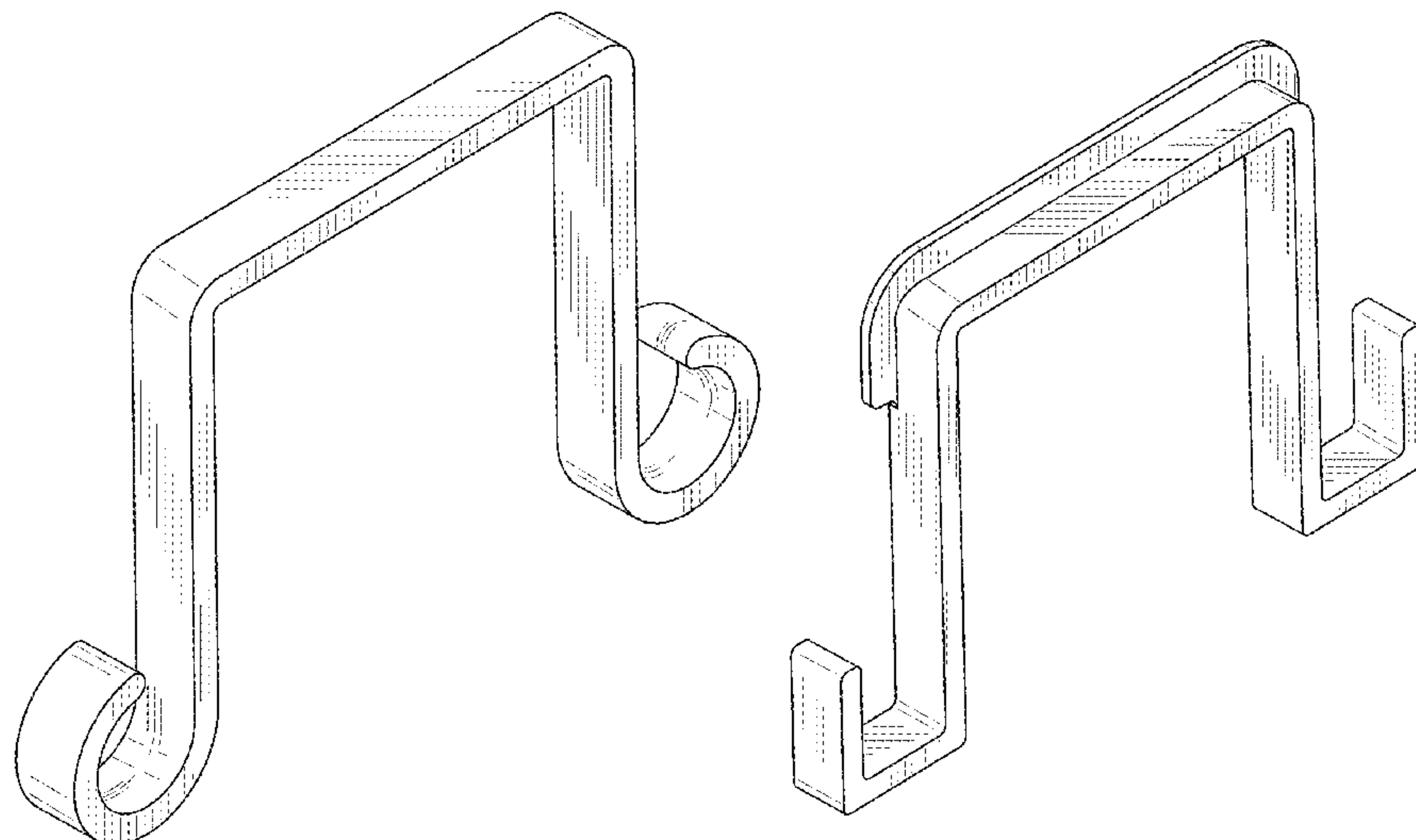
(57) **CLAIM**

The ornamental design for a chain holder, as shown and described.

DESCRIPTION

FIG. 1 is a front, top, left side perspective view of a chain holder showing a first embodiment of the design; FIG. 2 is a front elevational view thereof; FIG. 3 is a rear elevational view thereof; FIG. 4 is a left side view thereof; FIG. 5 is a right side view thereof; FIG. 6 is a top plan view thereof; FIG. 7 is a bottom plan view thereof; FIG. 8 is a front, top, left side perspective view of a chain holder showing a second embodiment of the design; FIG. 9 is a rear, top, left side perspective view thereof; FIG. 10 is a front elevational view thereof; FIG. 11 is a rear elevational view thereof; FIG. 12 is a left side view thereof; FIG. 13 is a right side view thereof; FIG. 14 is a top plan view thereof; FIG. 15 is a bottom plan view thereof; FIG. 16 is a front, top, left side perspective view of a chain holder showing a third embodiment of the design; FIG. 17 is a front elevational view thereof; FIG. 18 is a rear elevational view thereof; FIG. 19 is a left side view thereof; FIG. 20 is a right side view thereof; FIG. 21 is a top plan view thereof; FIG. 22 is a bottom plan view thereof; FIG. 23 is a front, top, left side perspective view of a chain holder showing a fourth embodiment of the design; FIG. 24 is a rear, top, left side perspective view thereof; FIG. 25 is a front elevational view thereof; FIG. 26 is a rear elevational view thereof; FIG. 27 is a left side view thereof; FIG. 28 is a right side view thereof; FIG. 29 is a top plan view thereof; and, FIG. 30 is a bottom plan view thereof.

1 Claim, 12 Drawing Sheets



(56)

References Cited

U.S. PATENT DOCUMENTS

3,565,379	A	2/1971	Messier et al.	
D324,735	S	3/1992	Collister et al.	
5,881,982	A	3/1999	Hollingsworth et al.	
D487,693	S *	3/2004	Moen	D8/363
D542,126	S	5/2007	Ernst et al.	
8,025,258	B2	9/2011	Eldridge	
D646,840	S *	10/2011	Polka	D26/138
D689,702	S	9/2013	Levin et al.	
D700,044	S	2/2014	Goodman et al.	
D702,112	S	4/2014	Cittadino et al.	
D712,729	S	9/2014	Cushing	
D723,356	S *	3/2015	Simon	D8/373
D771,805	S *	11/2016	Brooker	D24/128
D773,836	S	12/2016	Eads	
D781,683	S *	3/2017	Yi	D8/354
D796,939	S	9/2017	Julian	
D817,746	S *	5/2018	Brown	D8/367
D824,752	S *	8/2018	Johns	D8/367
D829,082	S *	9/2018	O'Brien	D8/366

* cited by examiner

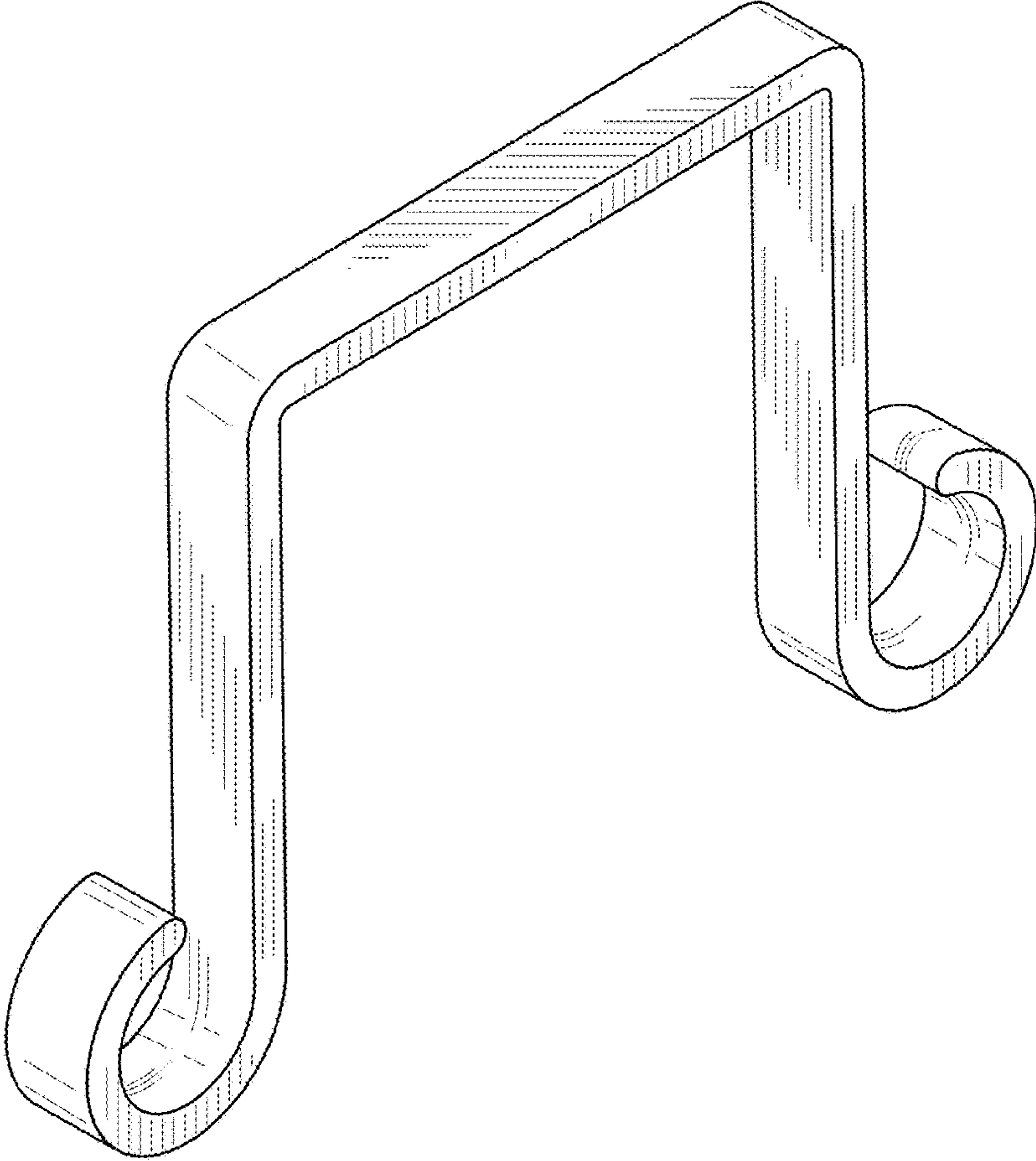


FIG. 1

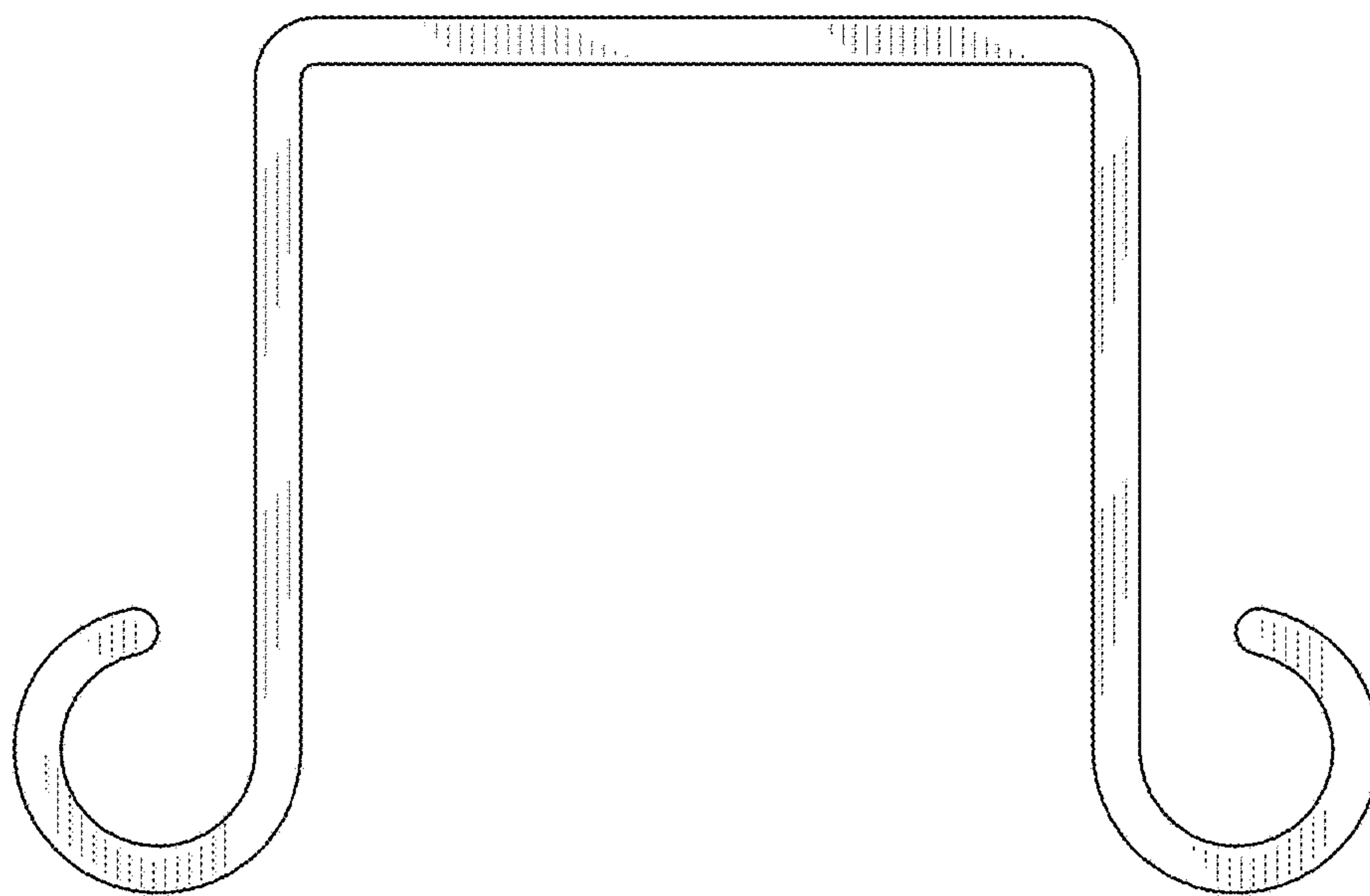


FIG. 2

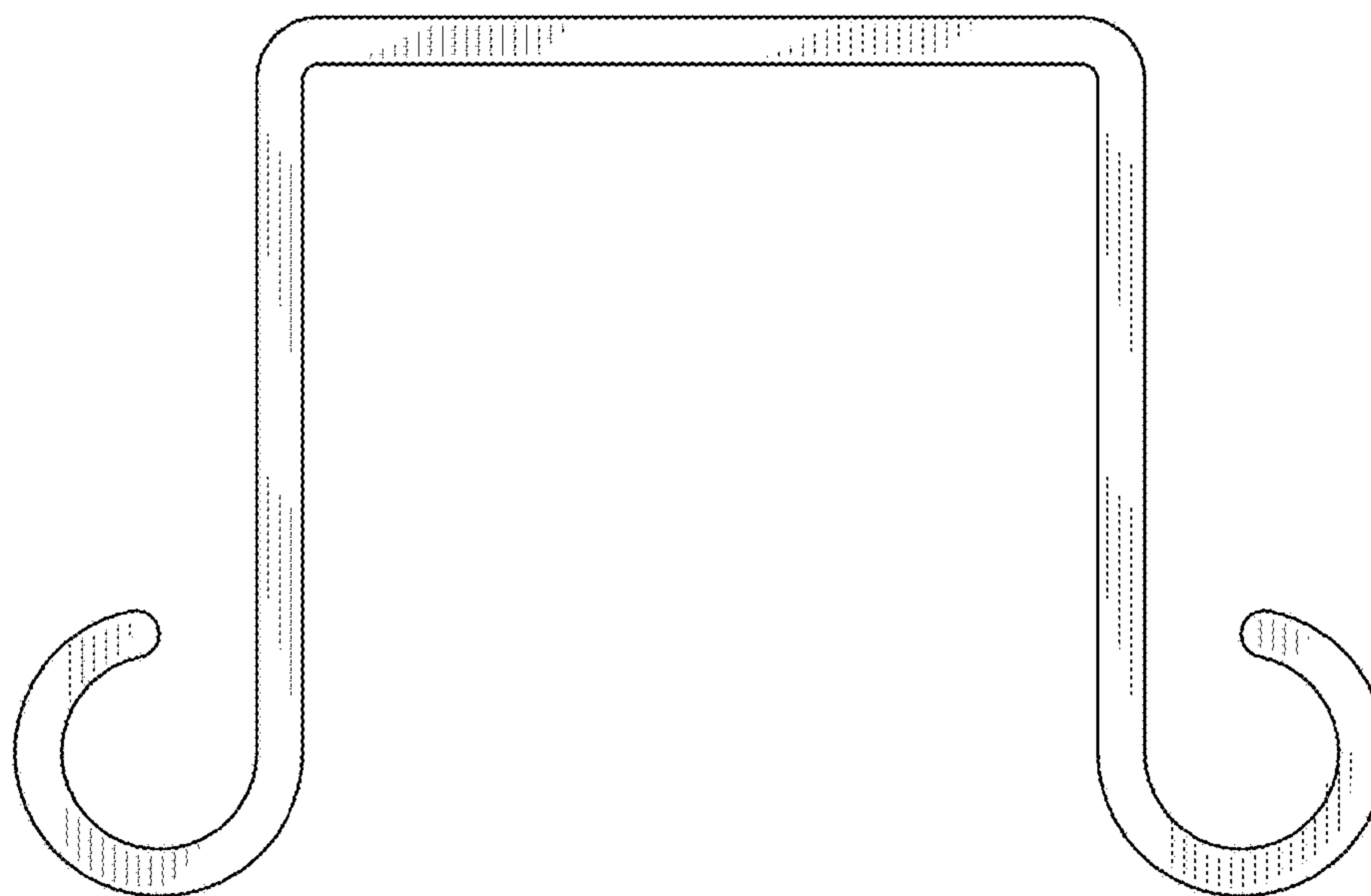


FIG. 3

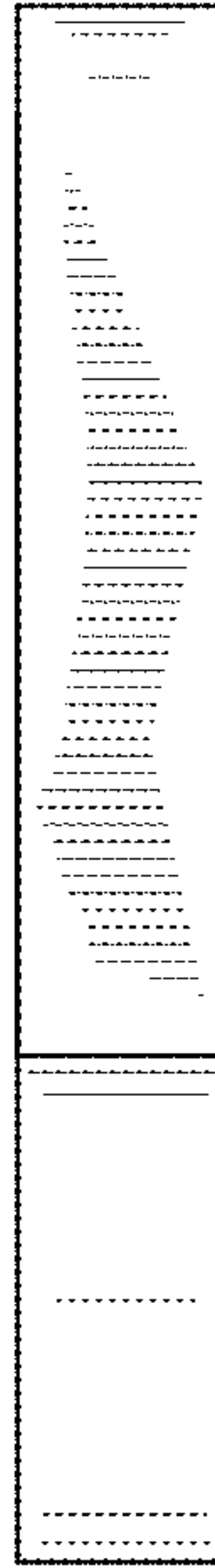


FIG. 4



FIG. 5

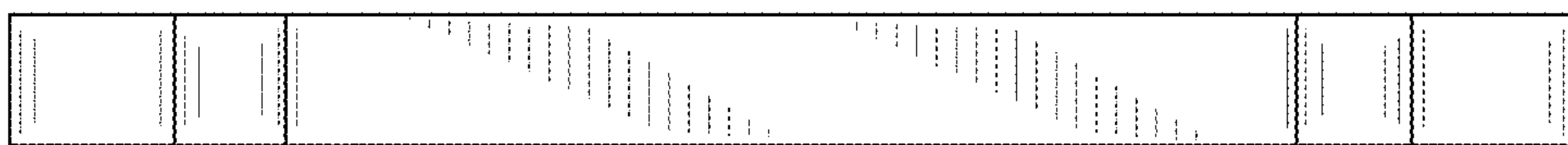


FIG. 6

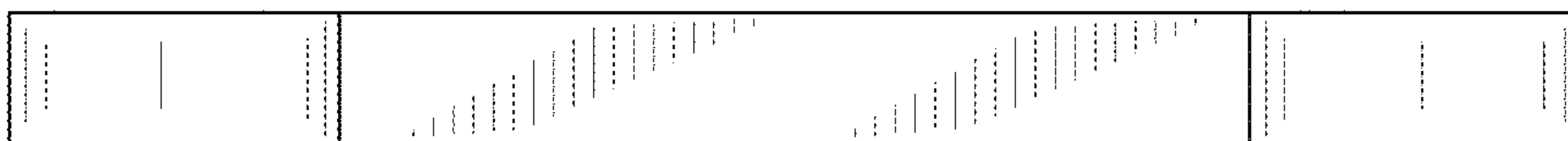


FIG. 7

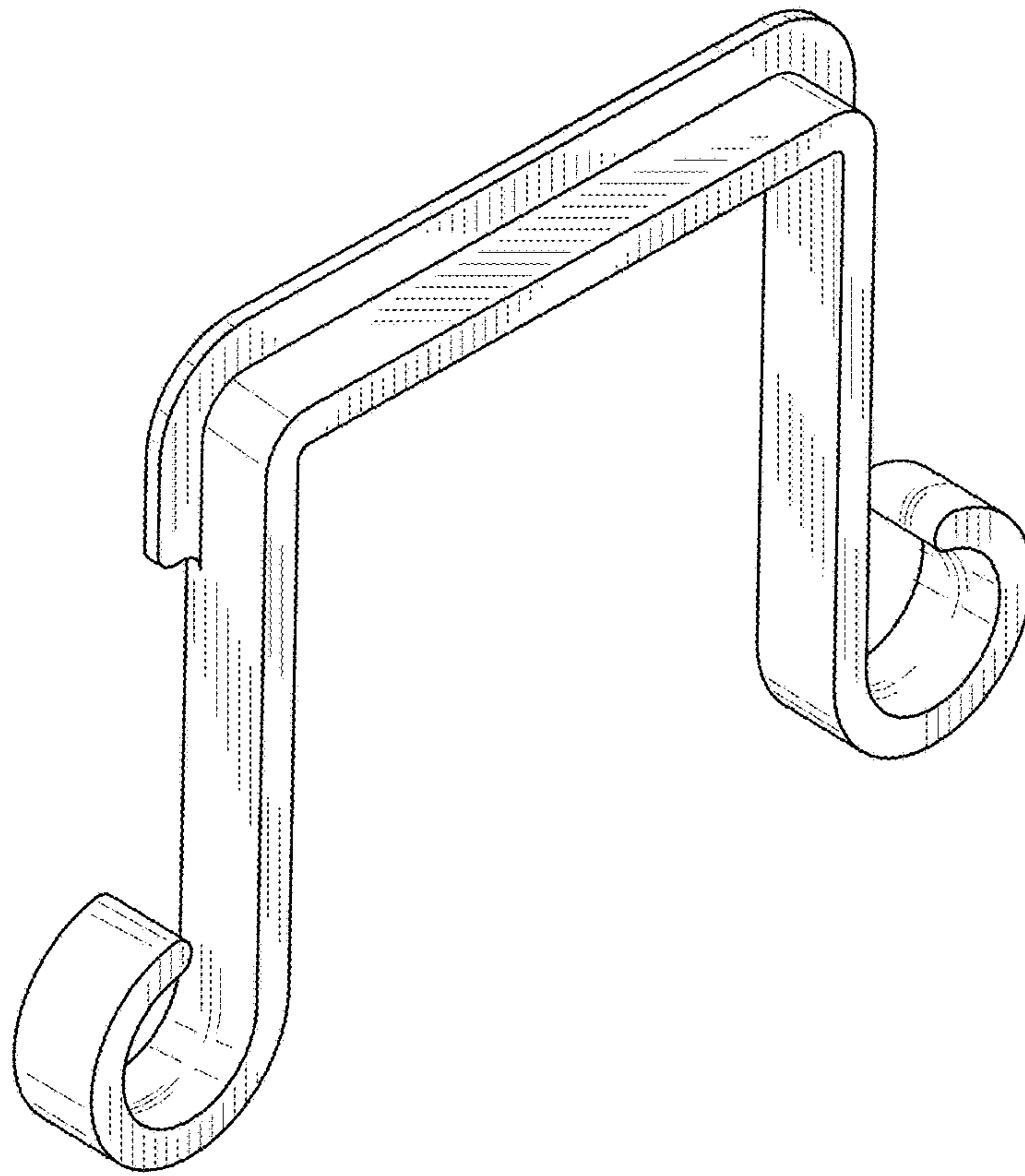


FIG. 8

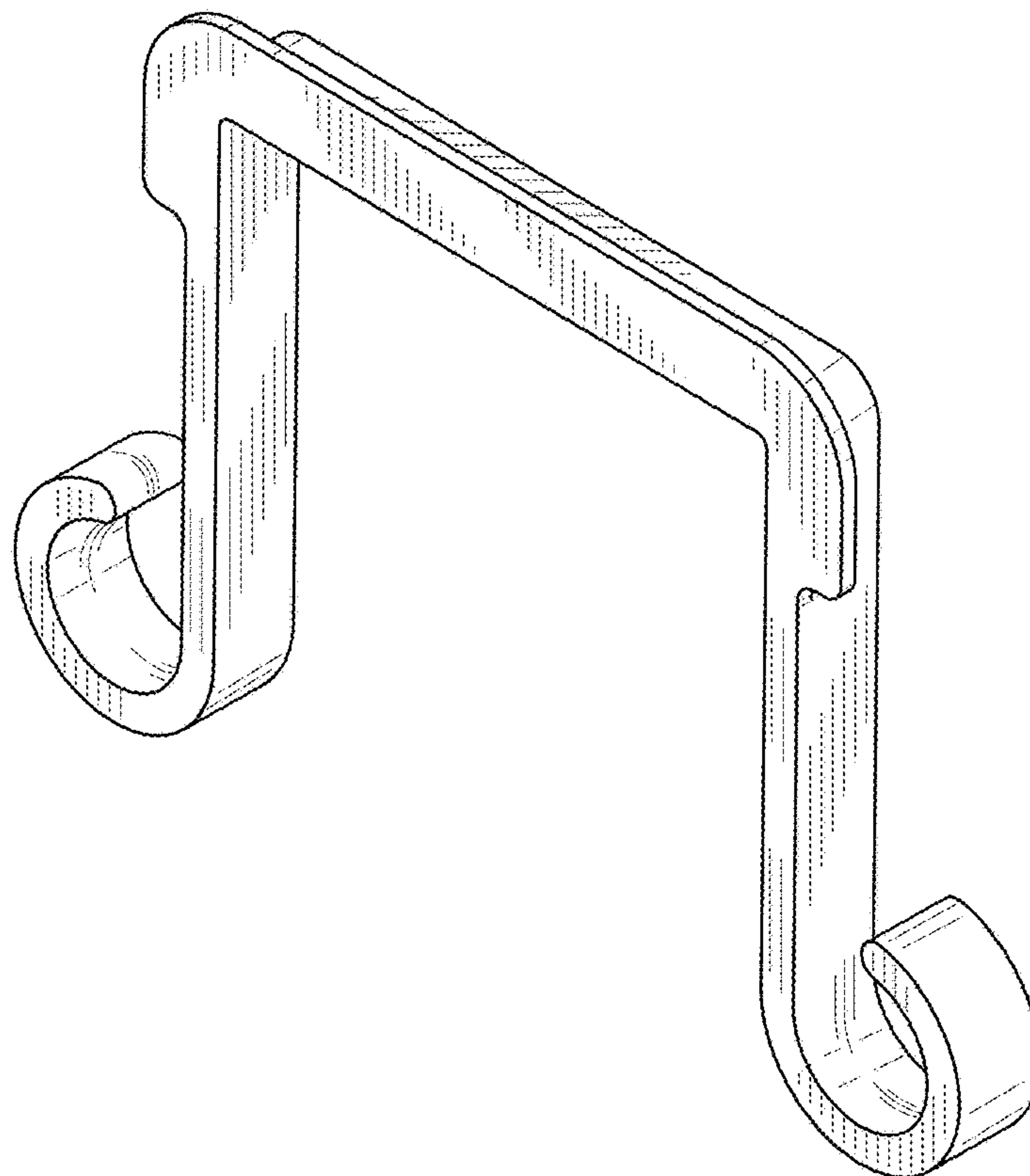


FIG. 9

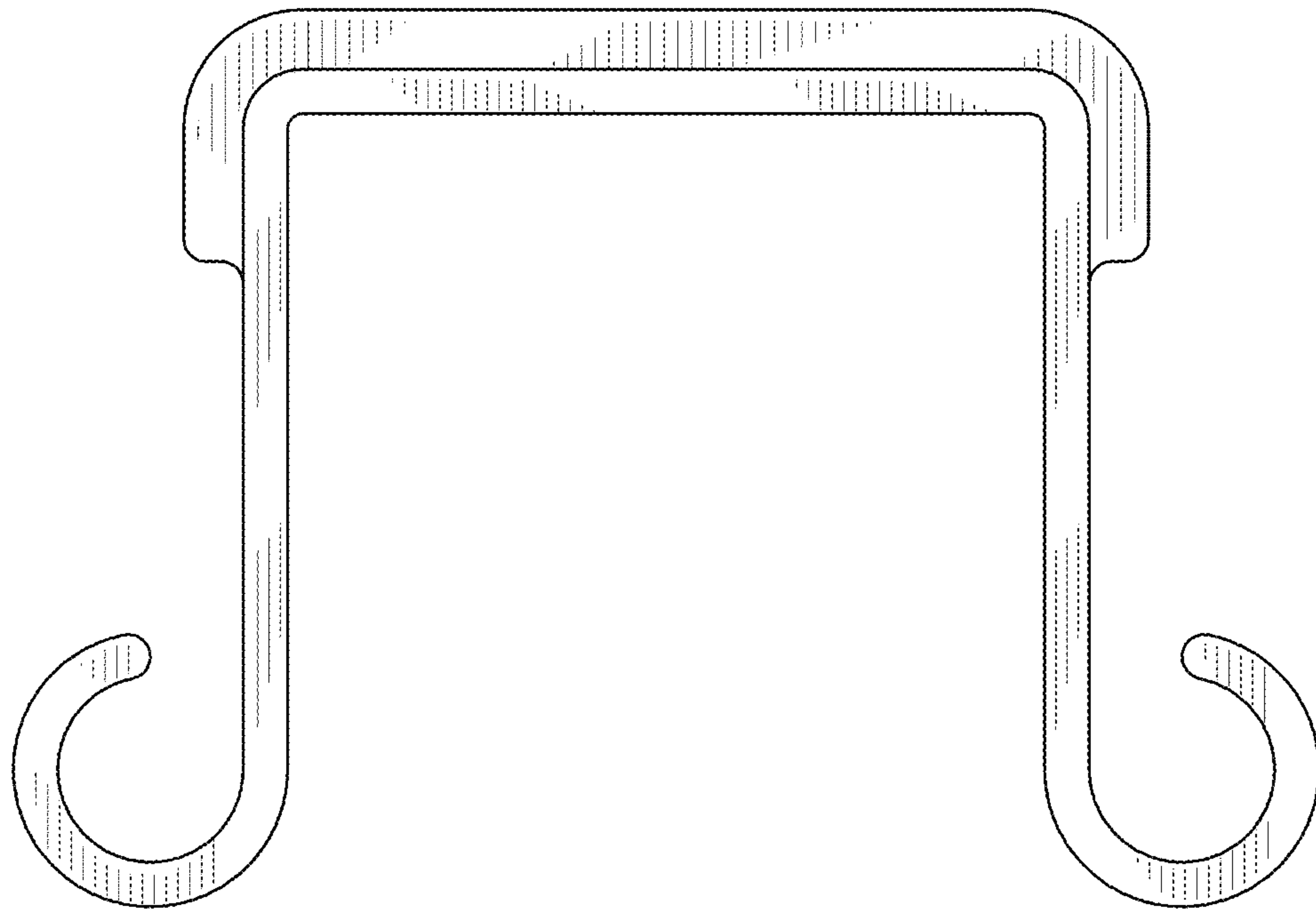


FIG. 10

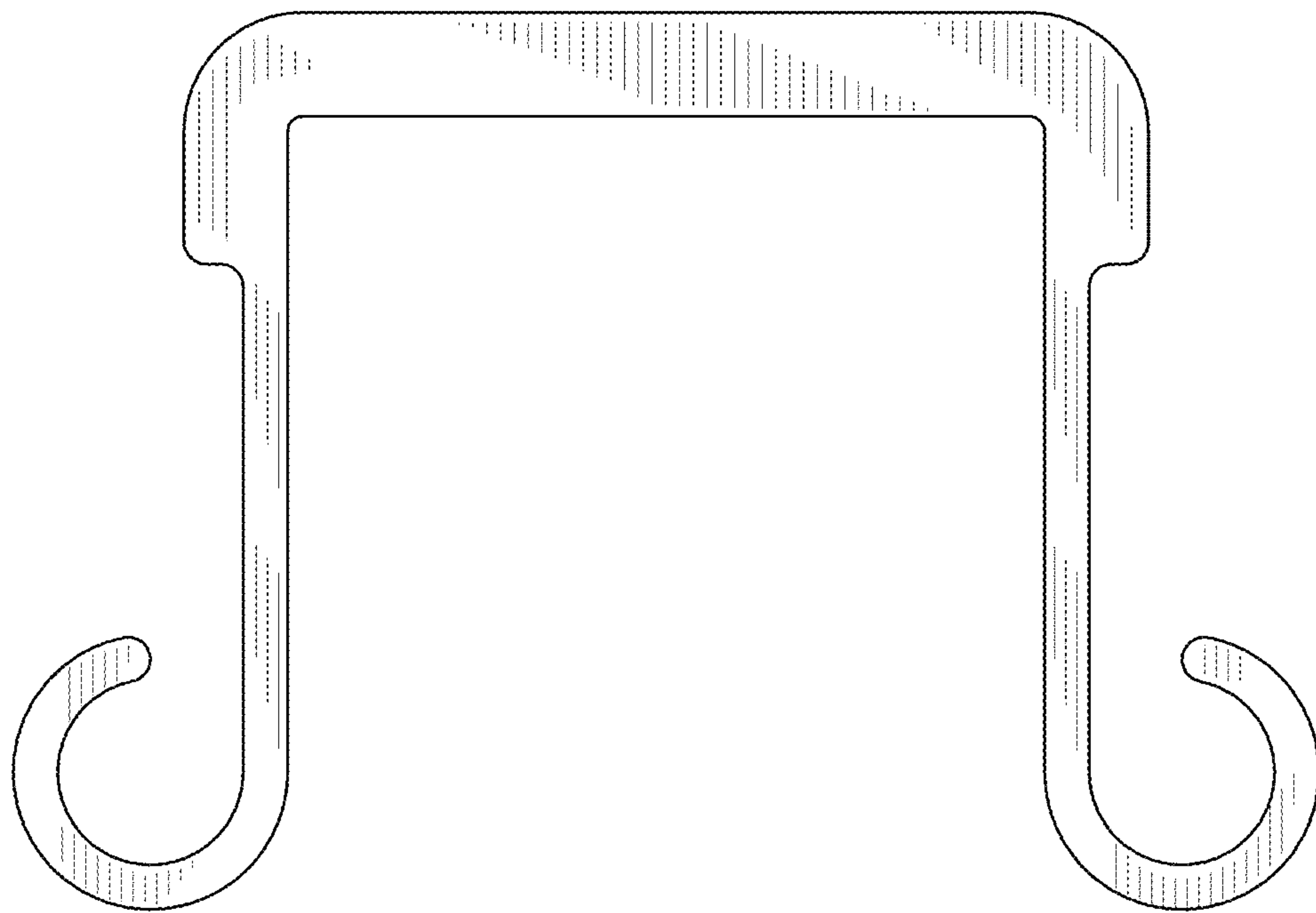


FIG. 11



FIG. 12

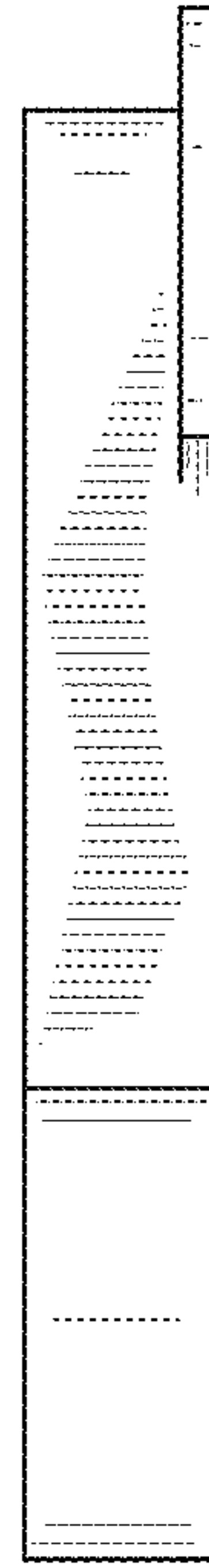


FIG. 13

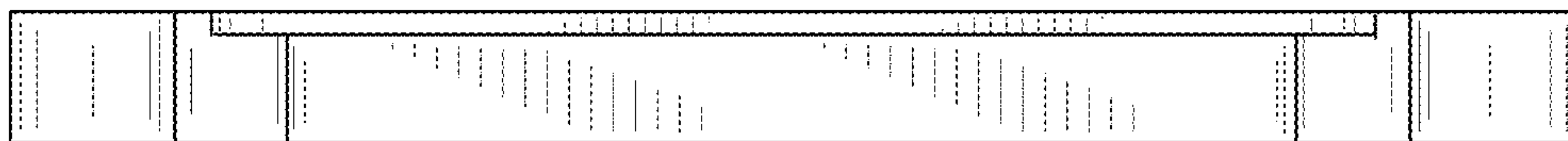


FIG. 14

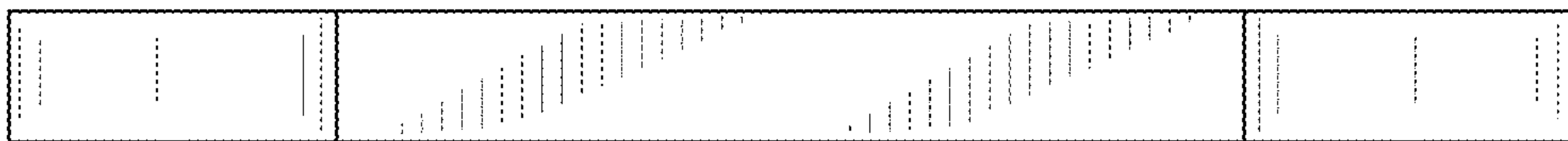


FIG. 15

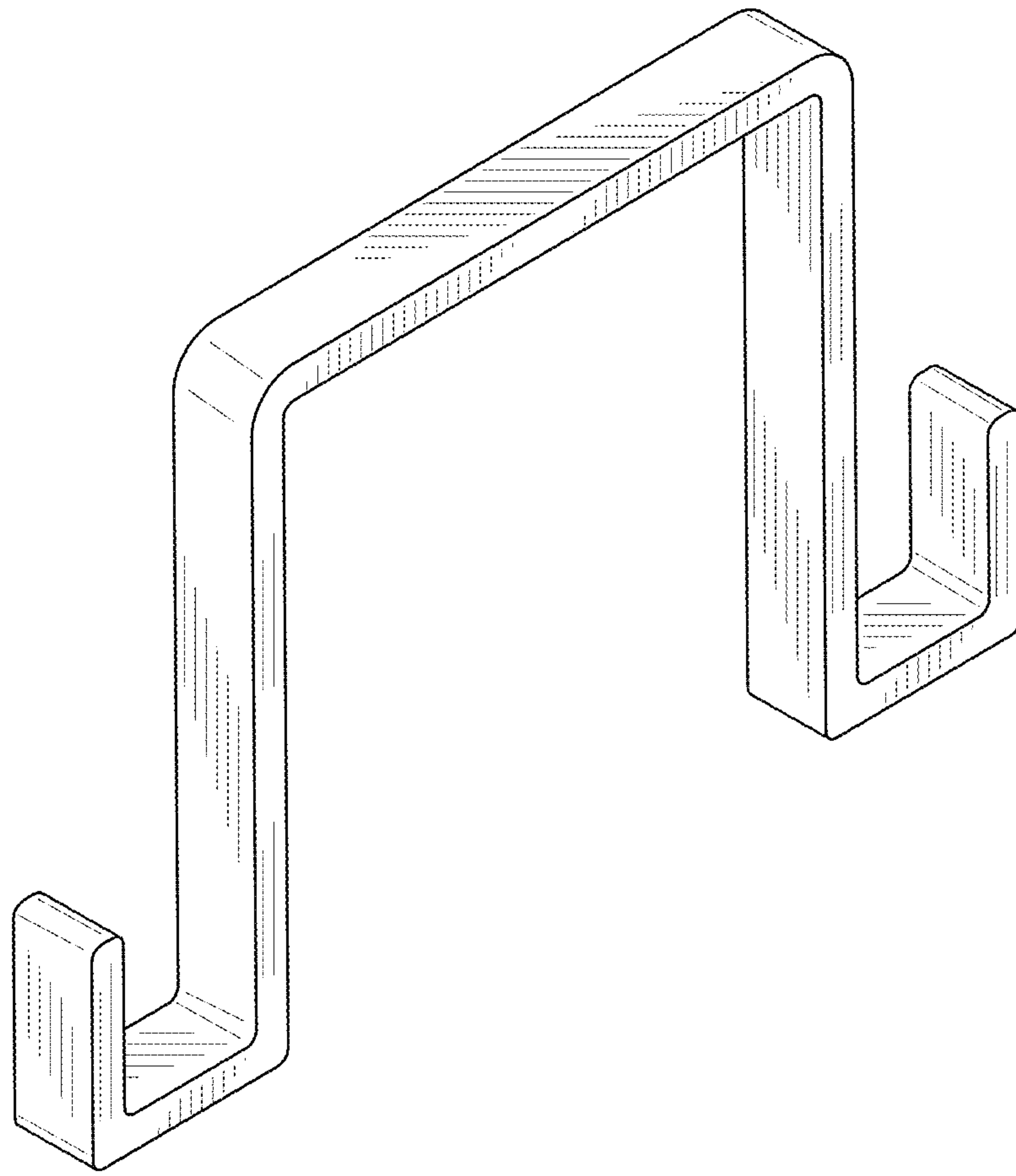


FIG. 16

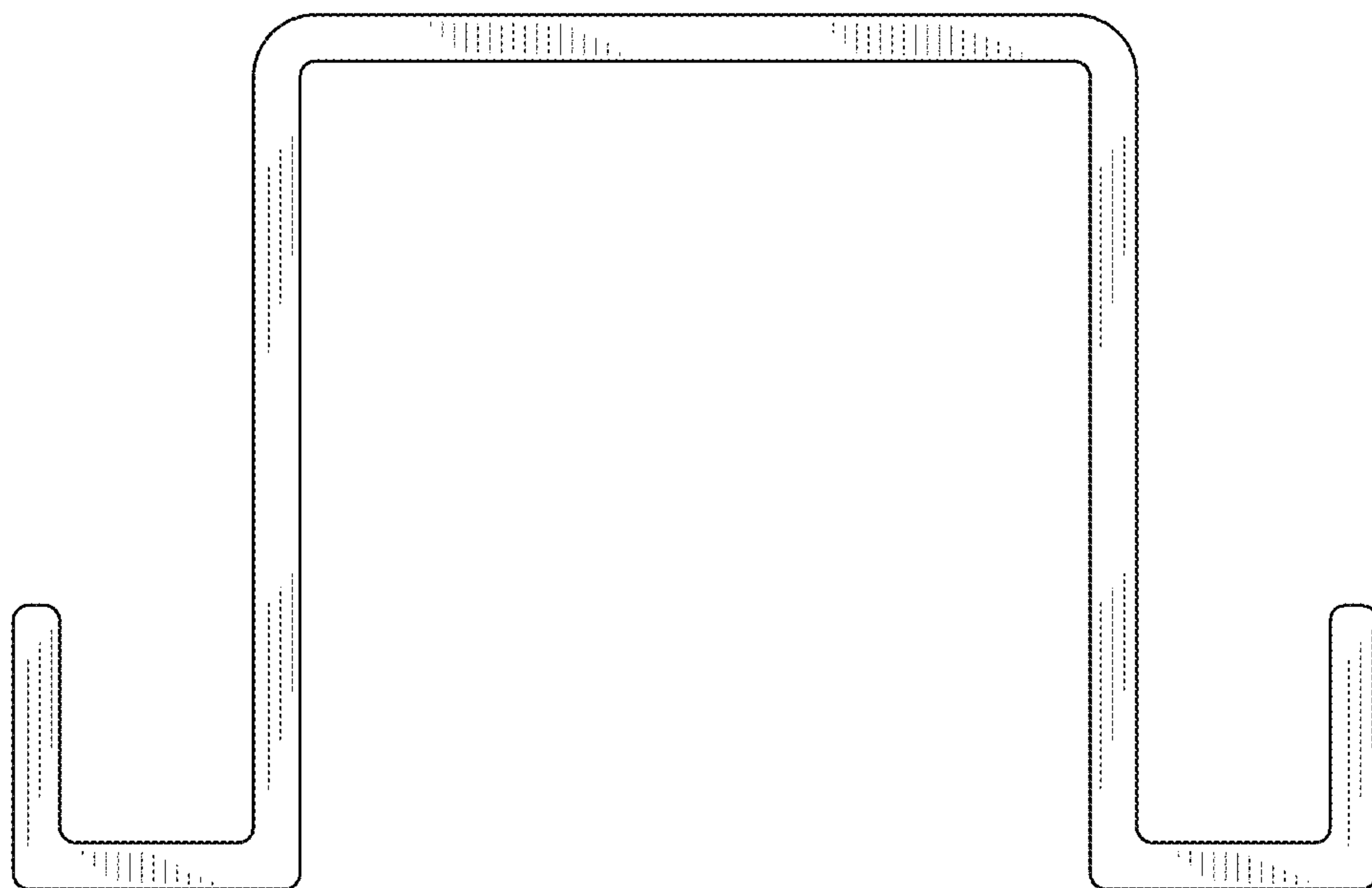


FIG. 17

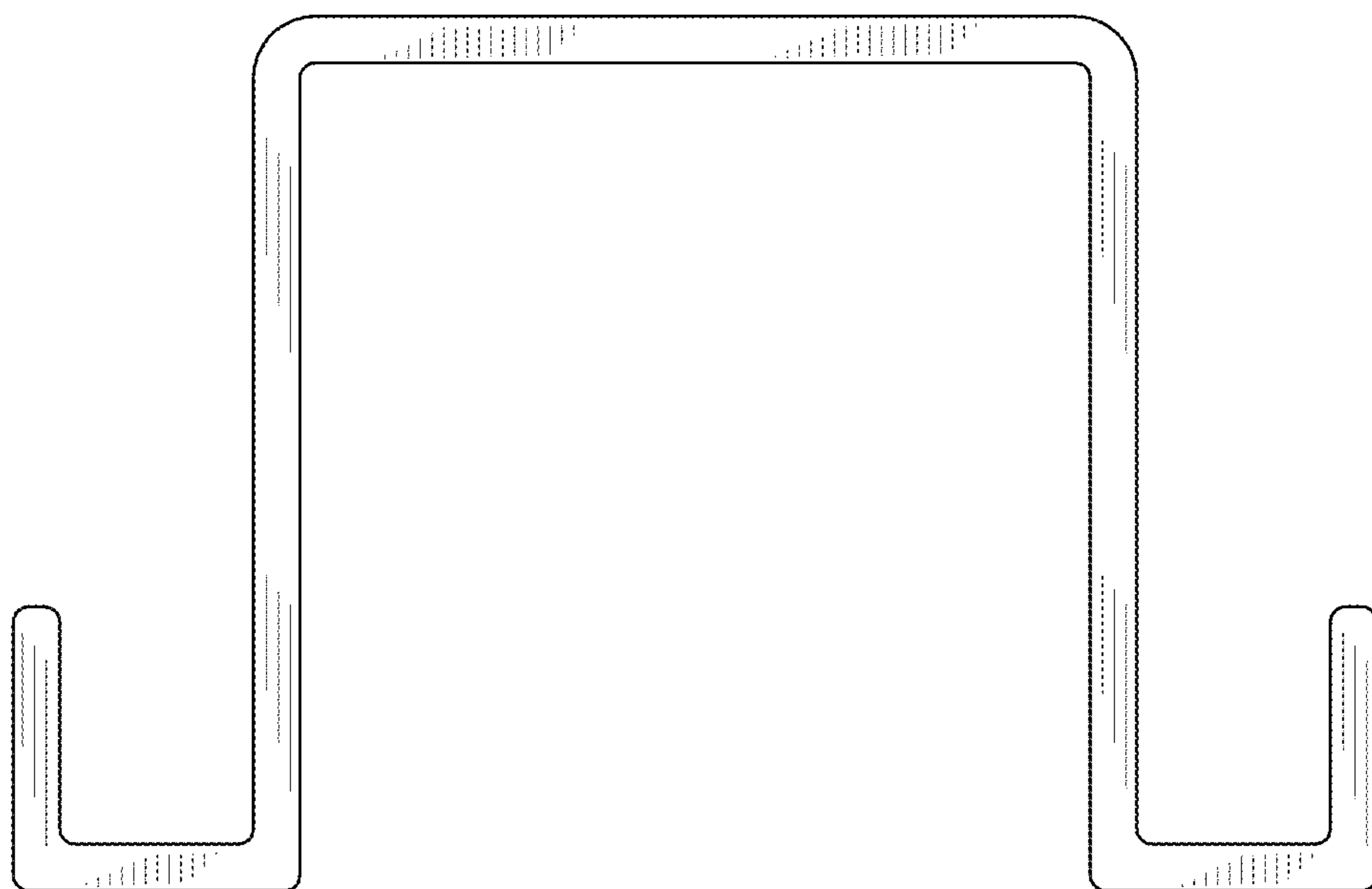


FIG. 18

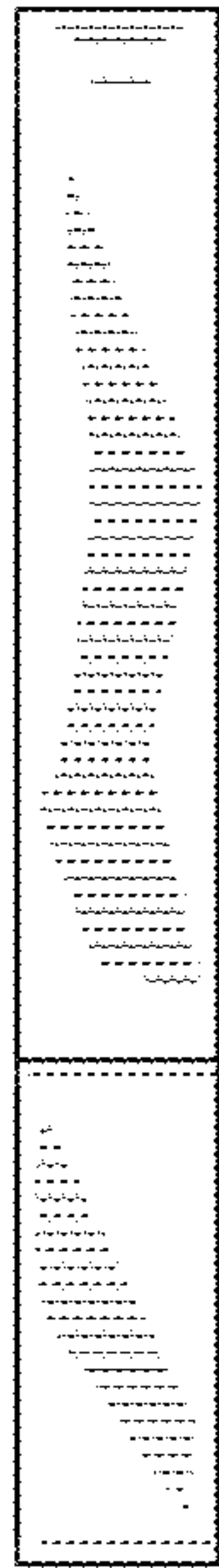


FIG. 19

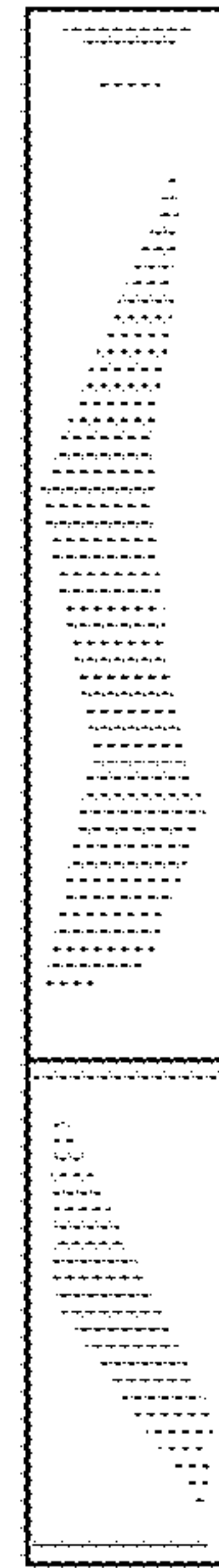


FIG. 20

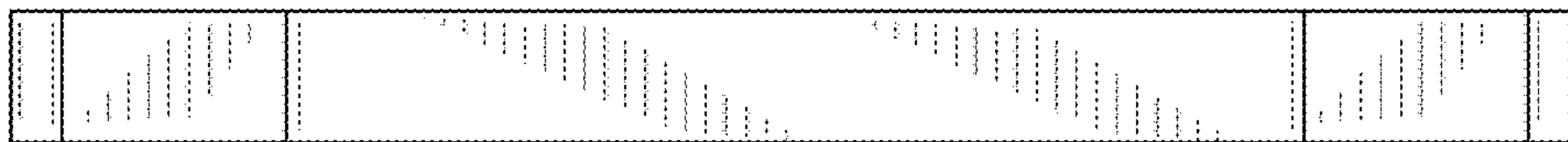


FIG. 21

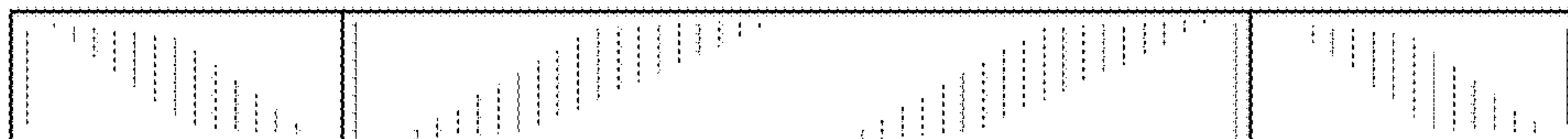


FIG. 22

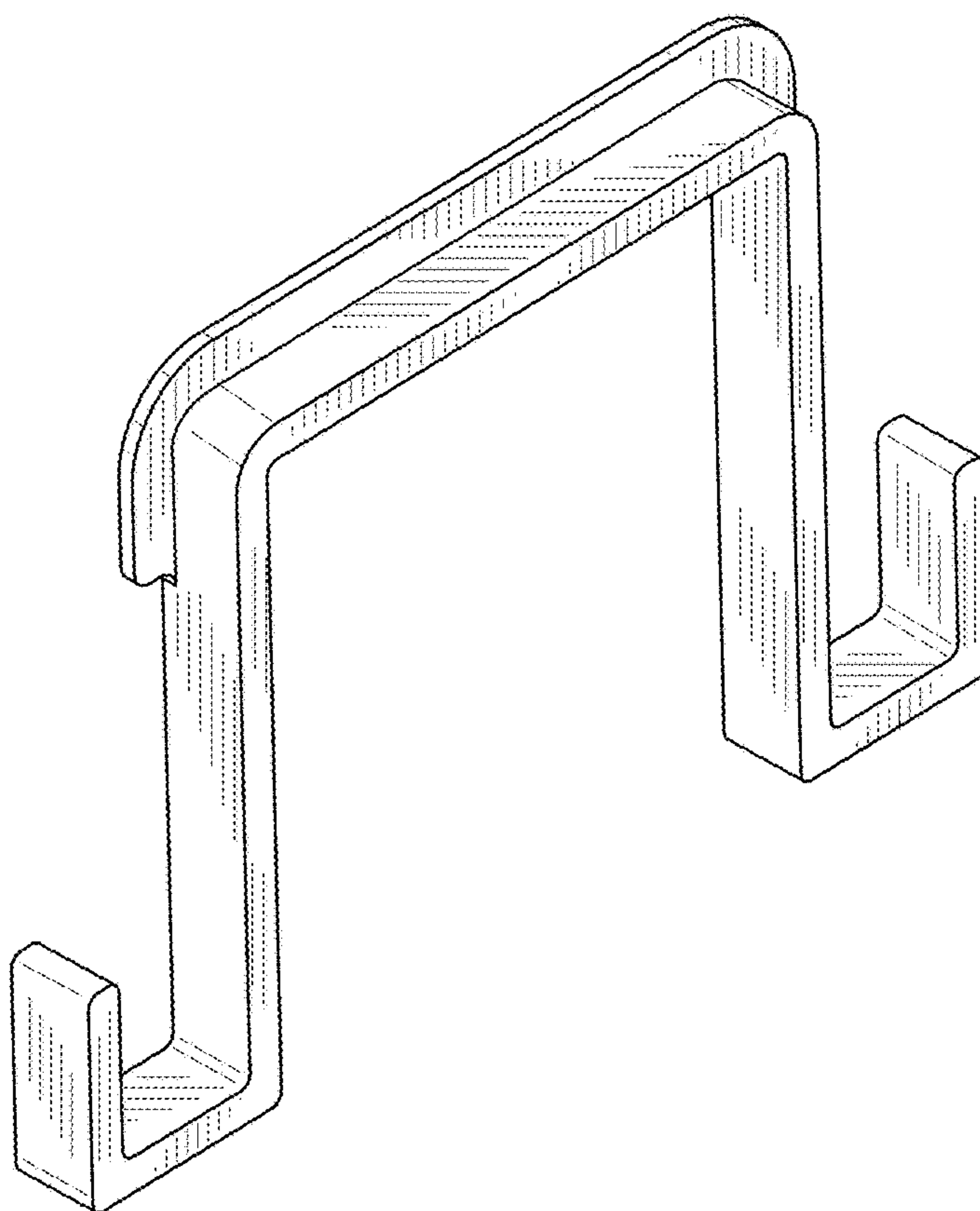


FIG. 23

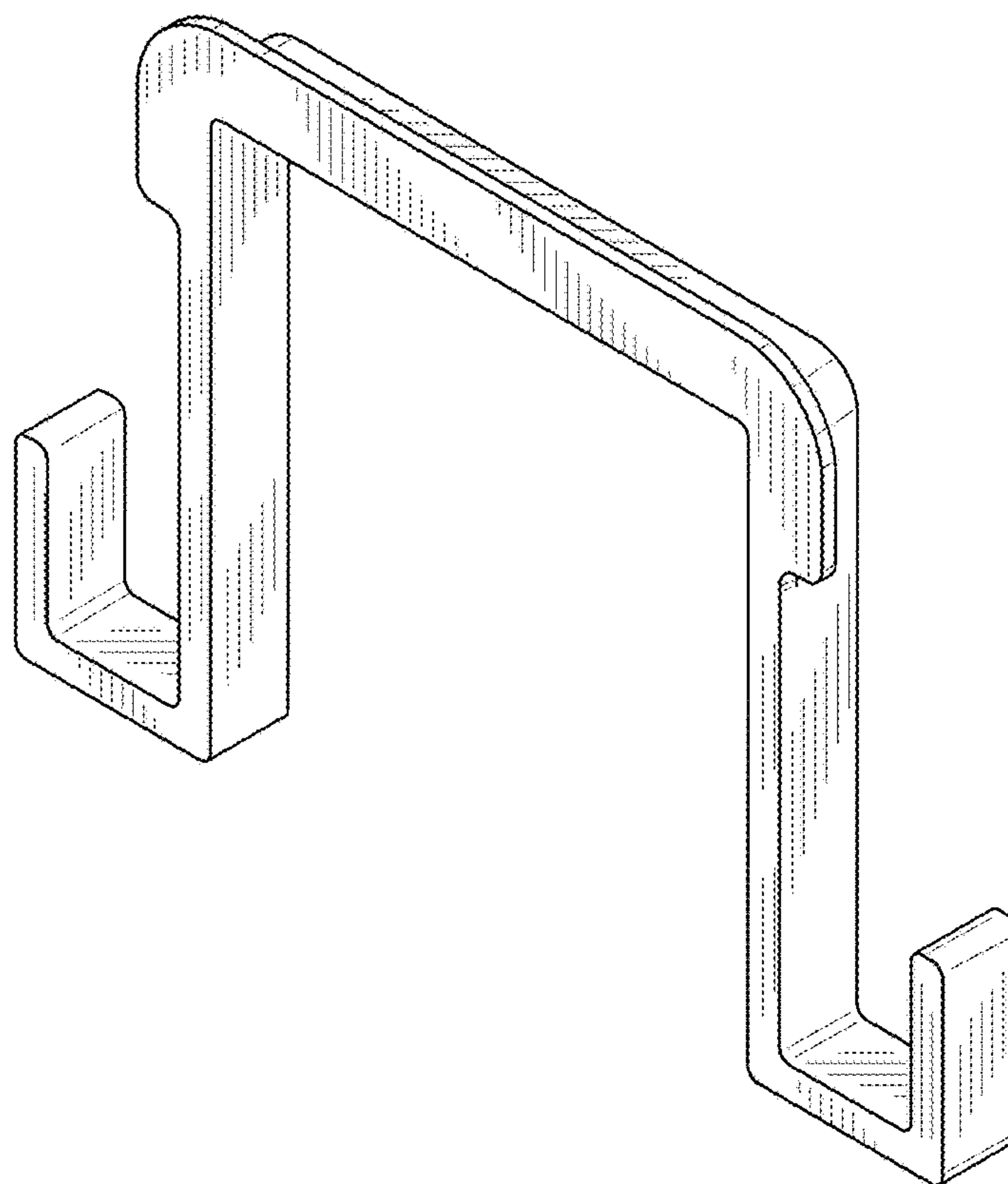


FIG. 24

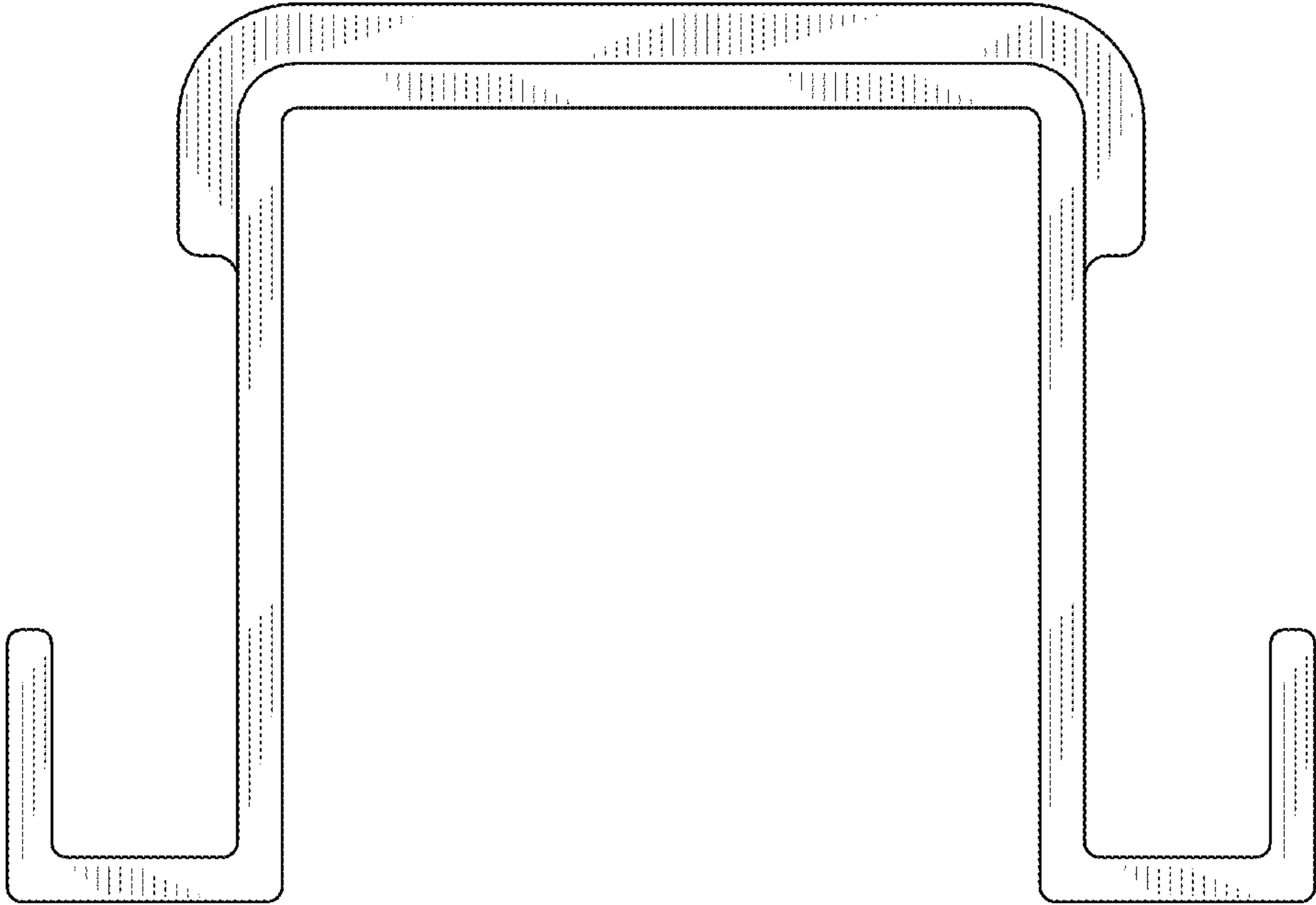


FIG. 25

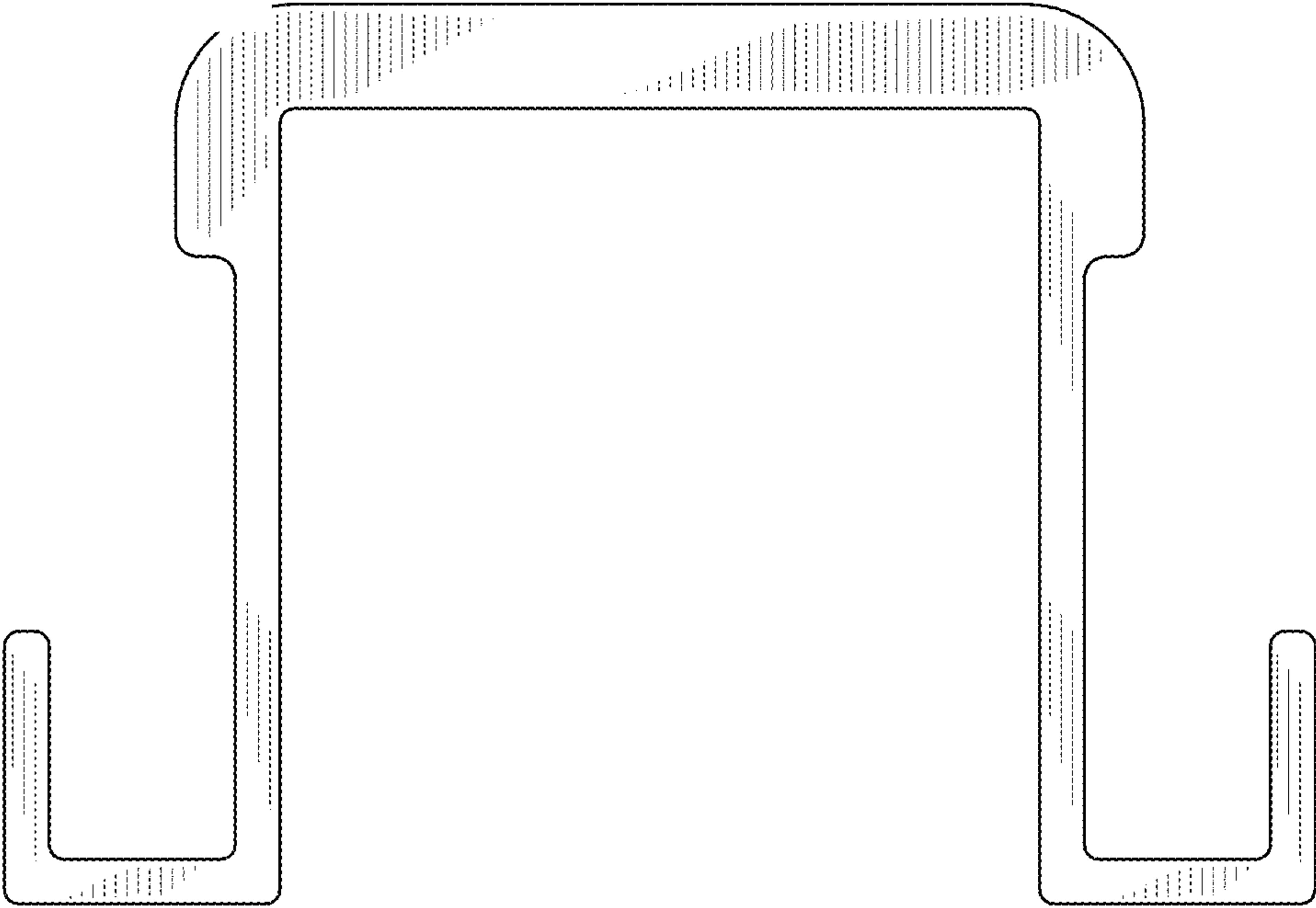


FIG. 26

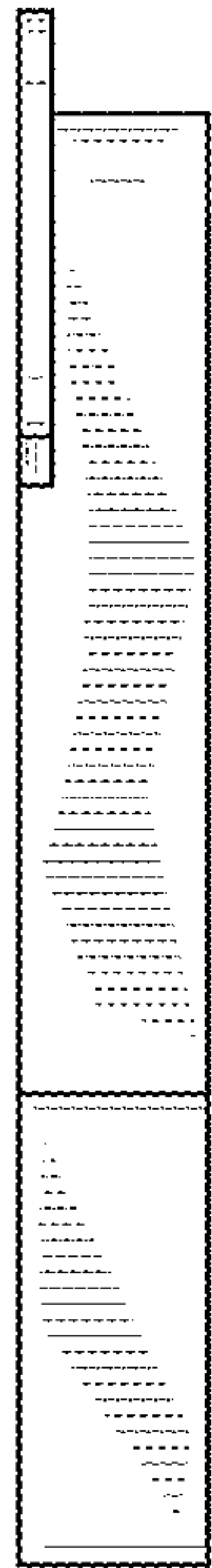


FIG. 27



FIG. 28

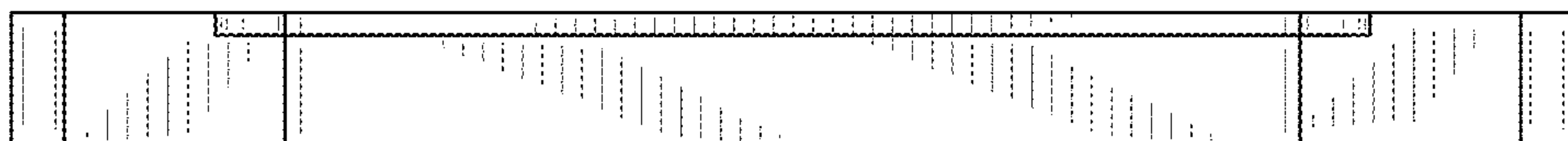


FIG. 29

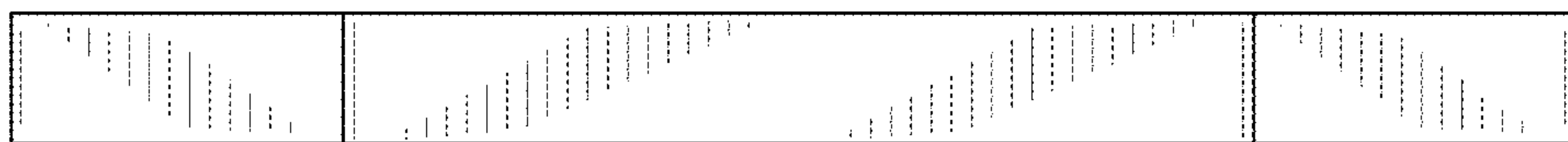


FIG. 30