



US00D837634S

(12) **United States Design Patent** (10) **Patent No.:** **US D837,634 S**
Barlow (45) **Date of Patent:** **** Jan. 8, 2019**

(54) **WIRE CHASE PANEL**
(71) Applicant: **308, LLC**, St. Petersburg, FL (US)
(72) Inventor: **David R. Barlow**, St. Petersburg, FL (US)
(73) Assignee: **308, LLC**, St. Petersburg, FL (US)
(**) Term: **15 Years**
(21) Appl. No.: **29/609,890**
(22) Filed: **Jul. 6, 2017**
(51) **LOC (11) Cl.** **09-06**
(52) **U.S. Cl.**
USPC **D8/356**
(58) **Field of Classification Search**
USPC D8/356, 354
CPC B65H 57/16; B63B 21/045
See application file for complete search history.

(56) **References Cited**
U.S. PATENT DOCUMENTS
1,371,619 A * 3/1921 Greenstreet A63H 33/06
446/124
2,229,935 A * 1/1941 Powers E04H 15/322
24/129 B
5,316,246 A * 5/1994 Scott A61M 5/1418
248/68.1
D372,188 S * 7/1996 Van Dyke D8/358
5,954,301 A * 9/1999 Joseph H01R 9/2416
248/68.1
6,206,330 B1 * 3/2001 Oi F16B 37/0842
248/635
D488,054 S * 4/2004 Myers D8/356
D568,254 S * 5/2008 Patchett D13/155
D569,234 S * 5/2008 Young, IV D13/154
D569,236 S * 5/2008 Young, IV D13/154
D569,712 S * 5/2008 Young, IV D13/154
D589,899 S * 4/2009 Huang D13/147
D596,128 S * 7/2009 Hung D13/147

D617,741 S * 6/2010 Fennell D13/154
7,825,337 B2 * 11/2010 Young, IV H02G 3/30
174/135
D640,527 S * 6/2011 Hoek D8/356
D644,501 S * 9/2011 Chen D8/356
D657,869 S * 4/2012 Mammen D24/128
D668,620 S * 10/2012 Convert D13/147
D680,851 S * 4/2013 Lo D8/356
8,998,151 B2 * 4/2015 Hoek F16L 3/223
248/68.1

(Continued)

Primary Examiner — Cynthia R Underwood
(74) *Attorney, Agent, or Firm* — Larson & Larson, P.A.;
Frank Liebenow; Justin P. Miller

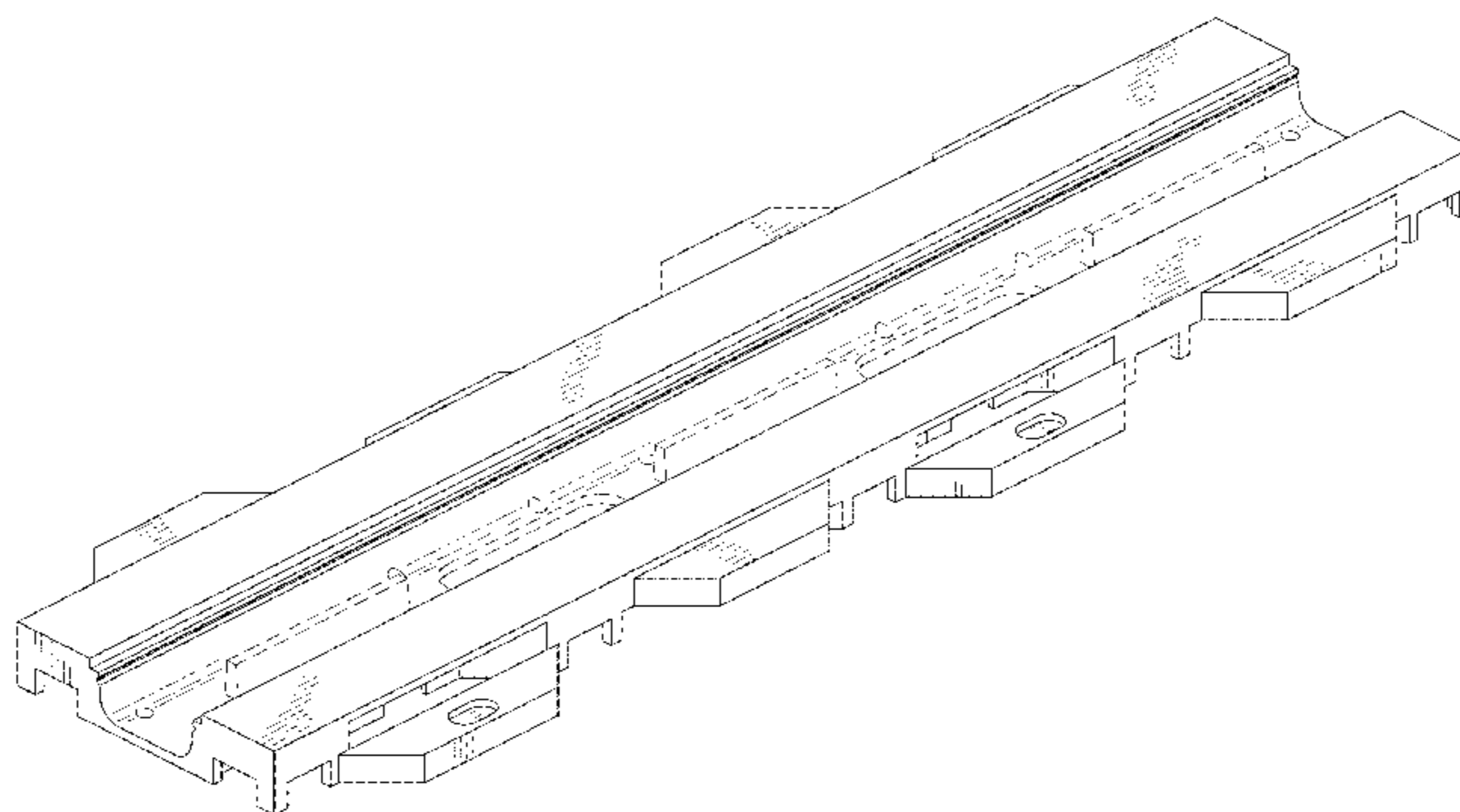
(57) **CLAIM**

I claim the ornamental design for a wire chase panel, as shown and described.

DESCRIPTION

FIG. 1 is a front view of a wire chase panel showing my new design;
FIG. 2 is a rear view thereof;
FIG. 3 is a left side view thereof;
FIG. 4 is a right side view thereof;
FIG. 5 is a top thereof;
FIG. 6 is a bottom view thereof;
FIG. 7 is a top perspective view thereof; and,
FIG. 8 is a bottom perspective view thereof.
The broken lines depicting a raised central ridge in FIGS. 1, 2, 5, and 7 are for the purpose of illustrating the unclaimed portions of the article and form no part of the claimed design.
The broken lines depicting oval openings in FIGS. 5-8 are for the purpose of illustrating the unclaimed portions of the article and form no part of the claimed design.
The broken lines depicting holes in FIGS. 5-8 are for the purpose of illustrating the unclaimed portions of the article and form no part of the claimed design.

1 Claim, 7 Drawing Sheets



(56)

References Cited

U.S. PATENT DOCUMENTS

D742,212	S	*	11/2015	Hsu	D8/396
D767,500	S	*	9/2016	Byrne	D13/154
D768,089	S	*	10/2016	Liu	D13/154
D773,414	S	*	12/2016	Hoffman	D13/183
D774,002	S	*	12/2016	Hsieh	D13/155
D790,127	S	*	6/2017	Verleur	D27/183
D799,941	S	*	10/2017	Rothenberg	D8/356
D802,168	S	*	11/2017	Lee	D25/119
D805,879	S	*	12/2017	Garcia	D8/356
D822,122	S	*	7/2018	Bilezikian	D21/484
D822,459	S	*	7/2018	Kobayashi	D8/356
D822,463	S	*	7/2018	Han	D8/360
D826,034	S	*	8/2018	Feng	D8/356
D826,700	S	*	8/2018	Feng	D8/356
2004/0118982	A1	*	6/2004	Shillings	F16L 3/223 248/68.1
2005/0189453	A1	*	9/2005	DeGuevara	H02G 3/305 248/68.1
2007/0235597	A1	*	10/2007	Winchester	F16L 3/223 248/68.1

* cited by examiner



FIG. 1

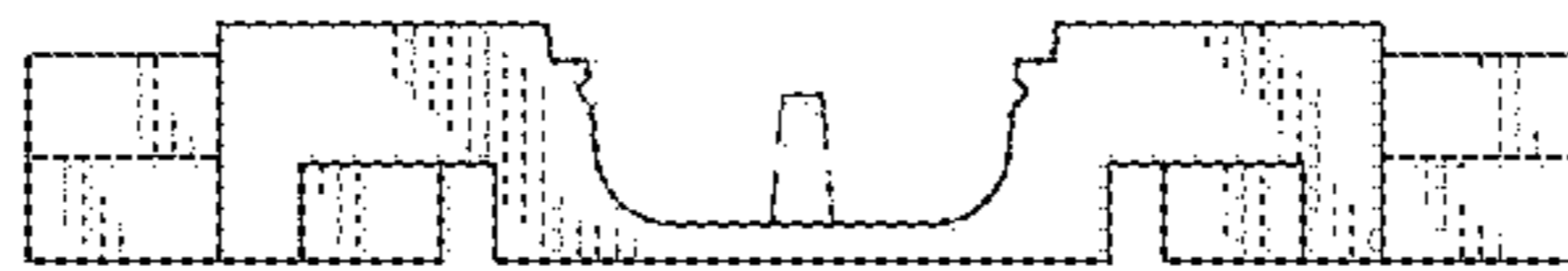




FIG. 3

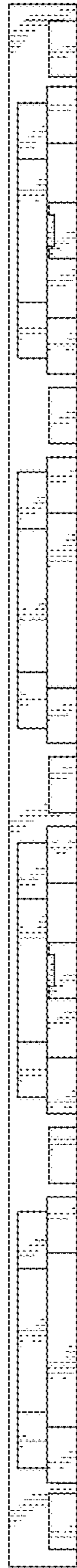


FIG. 4

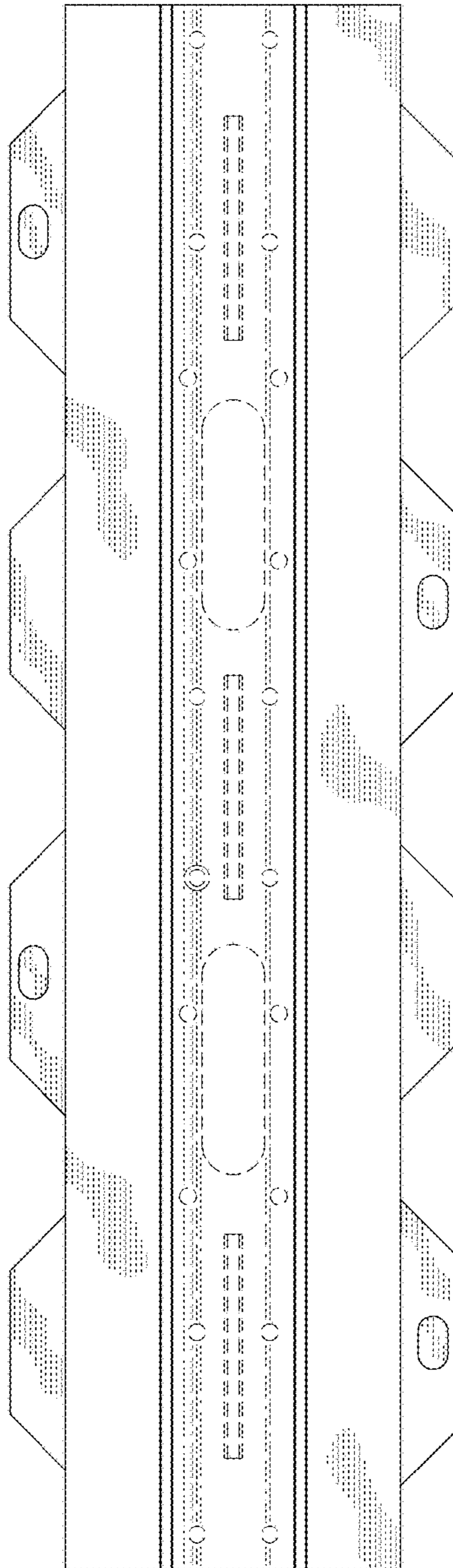


FIG. 5

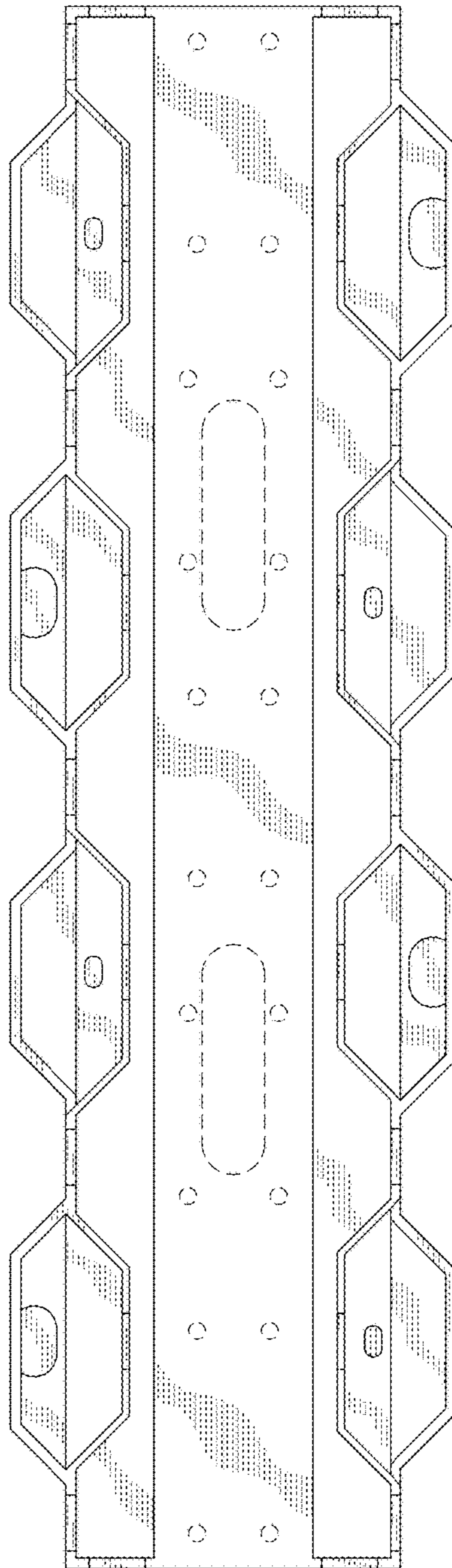


FIG. 6

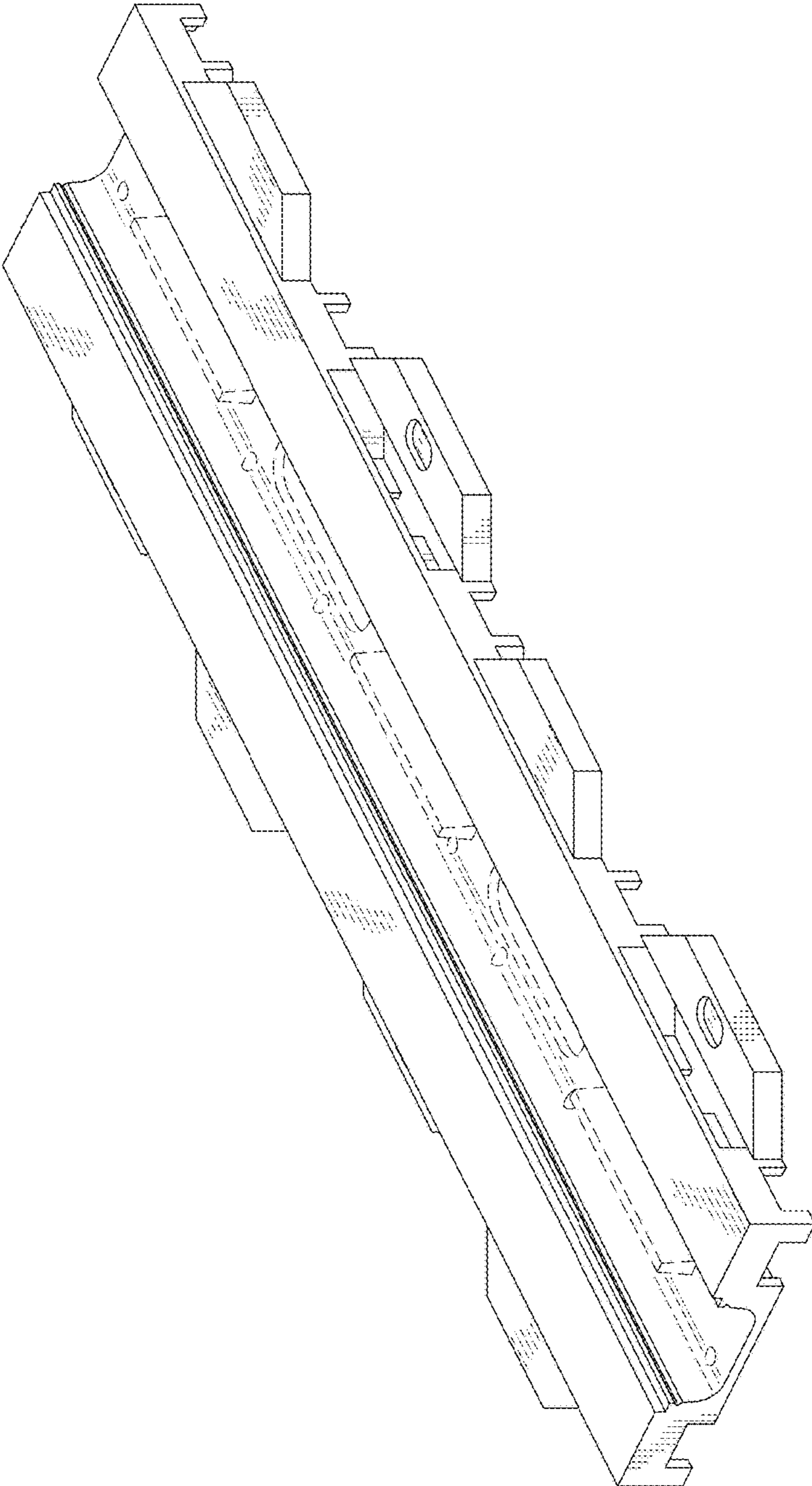


FIG. 7

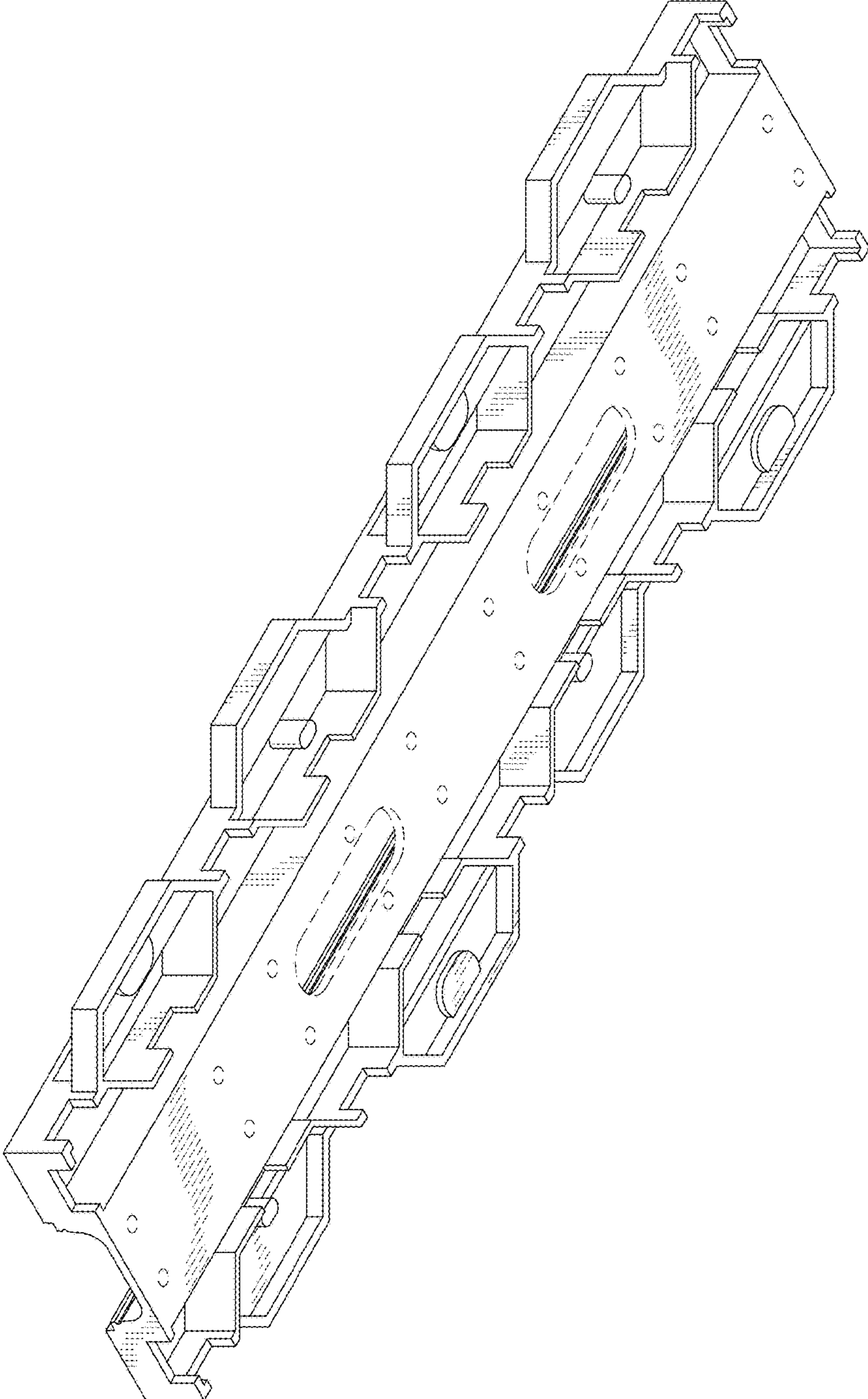


FIG. 8