



US00D837633S

(12) **United States Design Patent** (10) **Patent No.:** **US D837,633 S**  
**Allen et al.** (45) **Date of Patent:** **\*\* Jan. 8, 2019**

- (54) **BRIDGING TERMINATION CLIP**
- (71) Applicant: **Allen Innovations, LLC**, Cary, NC (US)
- (72) Inventors: **Brian C. Allen**, Raleigh, NC (US); **Richard Mountcastle**, Raleigh, NC (US)
- (73) Assignee: **Allen Innovations, LLC**, Cary, NC (US)
- (\*\*) Term: **15 Years**
- (21) Appl. No.: **29/648,011**
- (22) Filed: **May 17, 2018**

**Related U.S. Application Data**

- (62) Division of application No. 29/591,056, filed on Jan. 16, 2017, now Pat. No. Des. 820,664.
- (51) **LOC (11) Cl.** ..... **08-05**
- (52) **U.S. Cl.**  
USPC ..... **D8/354**
- (58) **Field of Classification Search**  
USPC ..... D8/354  
CPC .. E04B 1/2604; E04B 1/24; E04B 2001/2415;  
E04B 2001/2696; E04C 3/292; F16B  
15/0046  
See application file for complete search history.

(56) **References Cited**

**U.S. PATENT DOCUMENTS**

3,457,689	A	7/1969	Troutner	
3,945,741	A	3/1976	Wendt	
4,665,677	A	5/1987	Palacio	
D357,623	S	4/1995	Davis	
5,403,110	A	4/1995	Sammann	
5,904,023	A	5/1999	Digirolamo et al.	
D611,887	S *	3/2010	Peschmann	..... D12/223
D692,746	S	11/2013	Lawson	

8,733,061	B1	5/2014	McDonald	
9,016,024	B1	4/2015	Daudet	
D730,545	S	5/2015	Stauffer	
D732,708	S	6/2015	Stauffer	
D791,578	S	7/2017	Royak	
9,732,520	B2 *	8/2017	Daudet	..... E04B 2/763

(Continued)

**OTHER PUBLICATIONS**

BC Secure Bridge Clip, posted at scafco.com, posting date not given, [online], [site visited Oct. 12, 2018]. Available from Internet, URL: <https://www.scafco.com/steel/products/secure-clips/bc-secure-bridge-clip/> (Year: 2018).\*

(Continued)

*Primary Examiner* — George D. Kirschbaum

*Assistant Examiner* — Maria J Edwards

(74) *Attorney, Agent, or Firm* — Ward and Smith, P.A.; Ryan K. Simmons

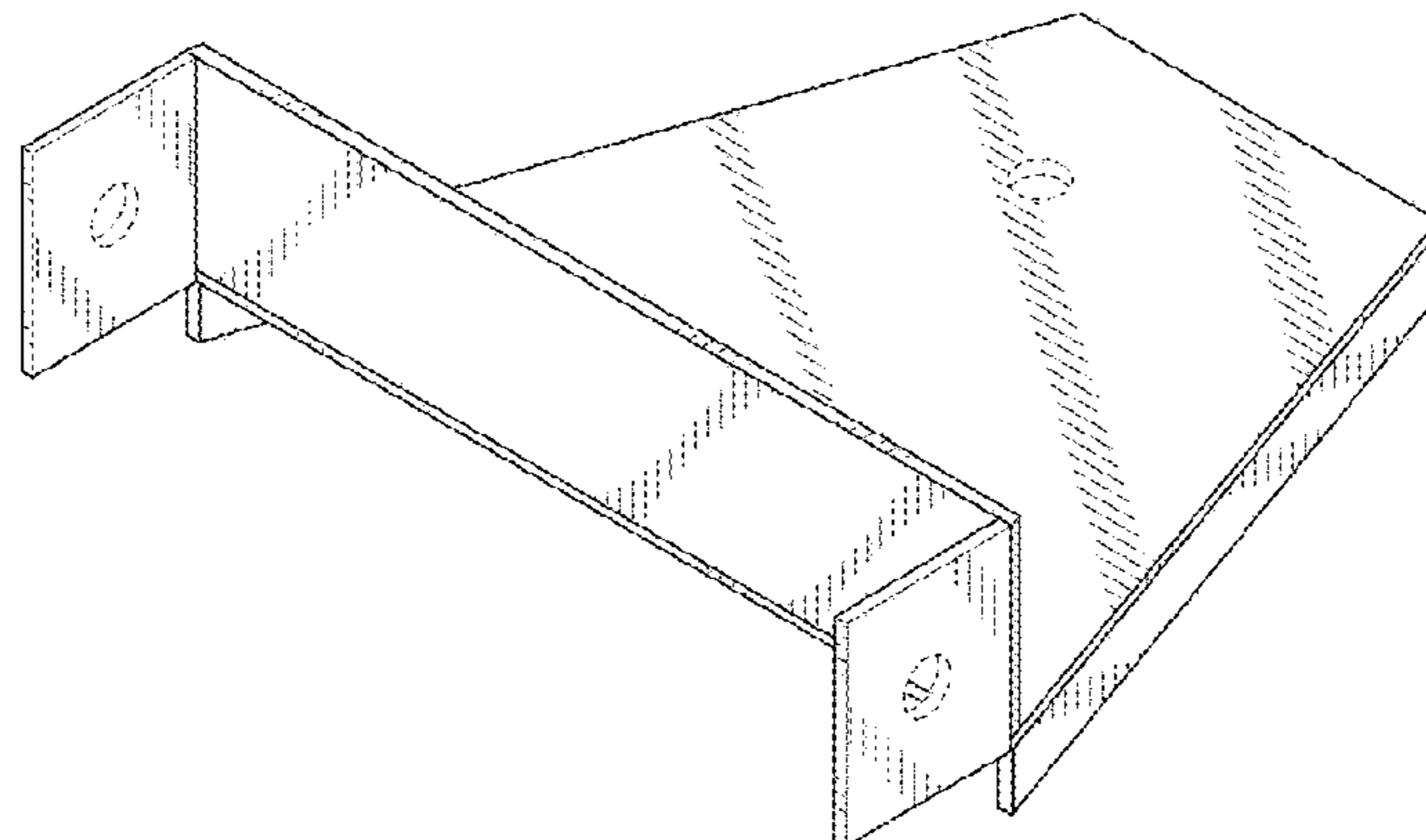
(57) **CLAIM**

The ornamental design for a bridging termination clip, as shown and described.

**DESCRIPTION**

FIG. 1 is a perspective view of a bridging termination clip showing a new design;  
FIG. 2 is a front view thereof;  
FIG. 3 is a rear view thereof;  
FIG. 4 is a right side view thereof, the left side being a mirror image;  
FIG. 5 is a top plan view thereof;  
FIG. 6 is a bottom plan view thereof; and,  
FIG. 7 is another perspective view of the bridging termination clip in an installed configuration.  
In the drawings the dash-dash broken lines are for the purpose of illustrating environment only and form no part of the claimed design.

**1 Claim, 5 Drawing Sheets**



(56)

**References Cited**

U.S. PATENT DOCUMENTS

D796,302	S	9/2017	Bright	
D798,693	S	10/2017	Kanagal Narasimhaswamy et al.	
9,849,497	B2 *	12/2017	Daudet .....	E04B 2/763
D820,664	S *	6/2018	Allen .....	D8/354
D821,851	S *	7/2018	Stahl .....	D8/354
D822,455	S *	7/2018	Stahl .....	D8/354
D823,095	S *	7/2018	Stahl .....	D8/354
2014/0270916	A1 *	9/2014	Daudet .....	E04B 2/763 403/188
2014/0270923	A1 *	9/2014	Daudet .....	E04B 2/763 403/286
2016/0002912	A1 *	1/2016	Doupe .....	E04B 1/2604 52/702
2018/0154421	A1 *	6/2018	Daudet .....	E04B 2/763
2018/0202144	A1 *	7/2018	Allen .....	E04B 1/5818
2018/0266109	A1 *	9/2018	Haba .....	E04B 1/40

OTHER PUBLICATIONS

DBC Drywall Bridging Connector, posted at sssupply.com, posting date not given, [online], [site visited Oct. 12, 2018]. Available from

Internet, URL: [http://www.sssupply.com/product/DBC\\_Drywall\\_Bridging\\_Connector](http://www.sssupply.com/product/DBC_Drywall_Bridging_Connector) (Year: 2018).\*

Two-Position Bridging Clip, posted at grainger.com, posting date not given, [online], [site visited Oct. 12, 2018]. Available from Internet, URL: <https://www.grainger.com/product/LEVITON-Two-Position-Bridging-Clip-5LP91> (Year: 2018).\*

FastBridge Clip, posted at clarkdietrich.com, posting date not given, [online], [site visited Mar. 29, 2018]. Available from Internet, URL: <https://www.clarkdietrich.com/products/bridging-bracing-backing-connections/fastbridge-clip-fb33-fb43-fb68> (Year: 2018).

Simpson Strong Tie SUBH3, posted at amazon.com, posting date Dec. 4, 2013, [online], [site visited Mar. 29, 2018]. Available from Internet, URL: <https://www.amazon.com/Simpson-Strong-SUBH3-25-R150-Bridging-Connector/dp/BOOH3NWLPE> (Year: 2013).

Spazzer Bar Fly Clip, posted at clarkdietrich.com, posting date not given, [online], [site visited Mar. 29, 2018]. Available from Internet, URL: <https://www.clarkdietrich.com/products/bridging-bracing-backing-connections/spazzer-bar-fly-clip-sfly> (Year: 2018).

Universal Bridging Clip, posted at bmp-group.com, posting date not given, [online], [site visited Mar. 29, 2018]. Available from Internet, URL: [http://www.bmp-group.com/products/framing-connectors-clips/universal-bridging-clip-\(ubc-365-ubc-600-ubc800\)](http://www.bmp-group.com/products/framing-connectors-clips/universal-bridging-clip-(ubc-365-ubc-600-ubc800)) (Year: 2018).

\* cited by examiner

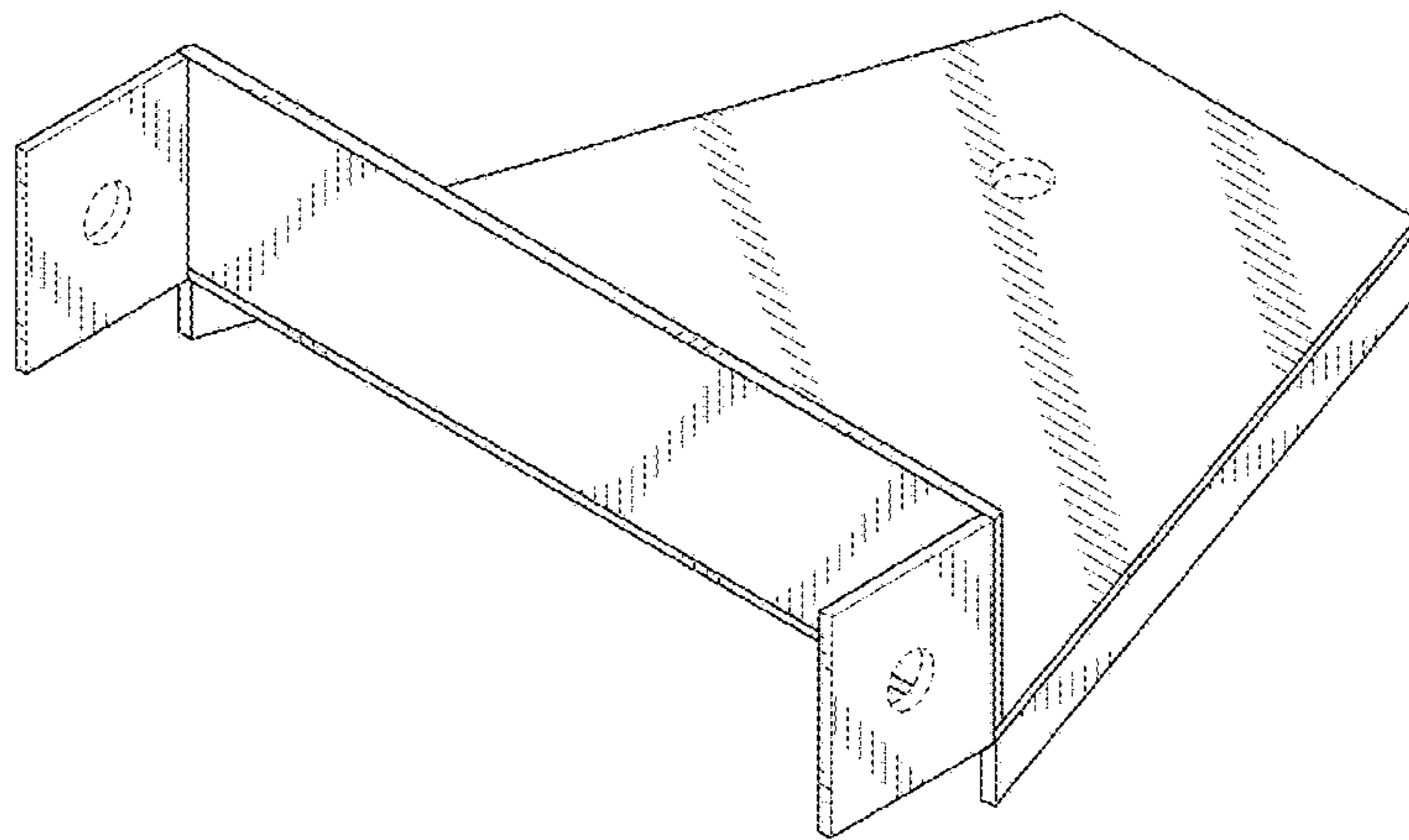


Fig. 1

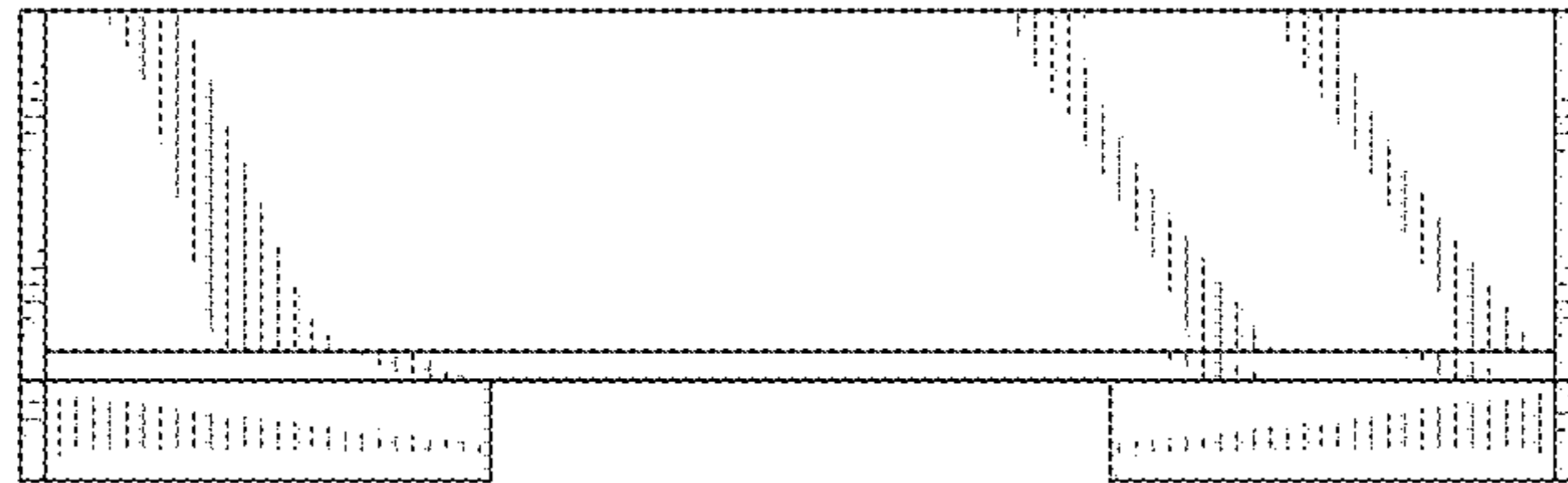


Fig. 2

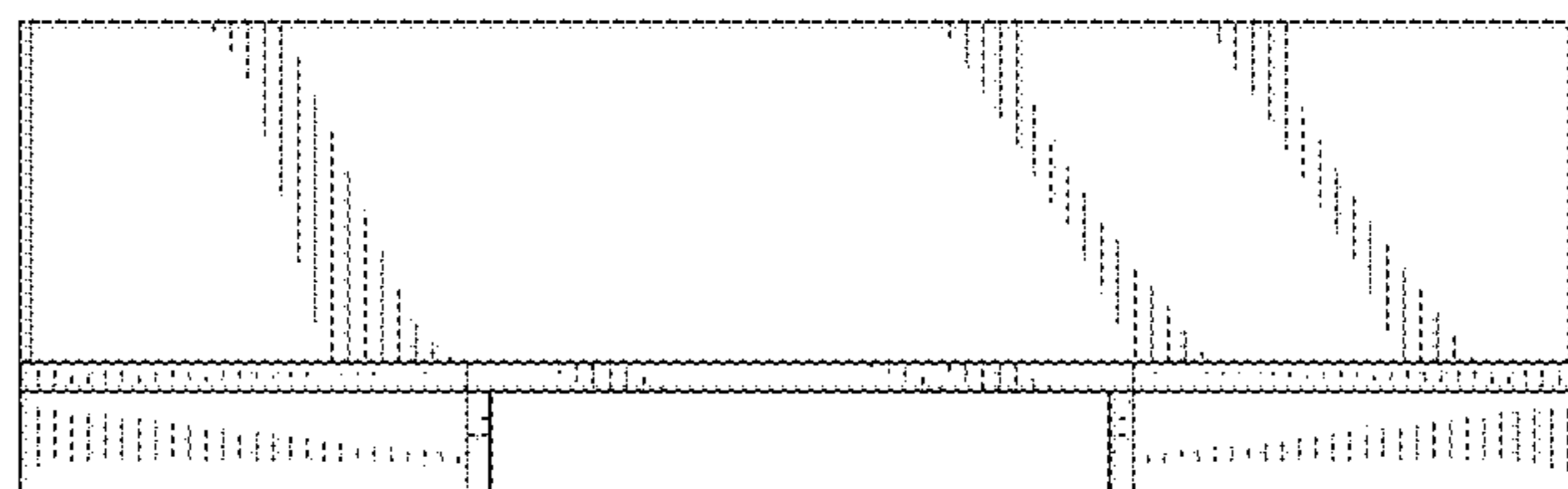


Fig. 3

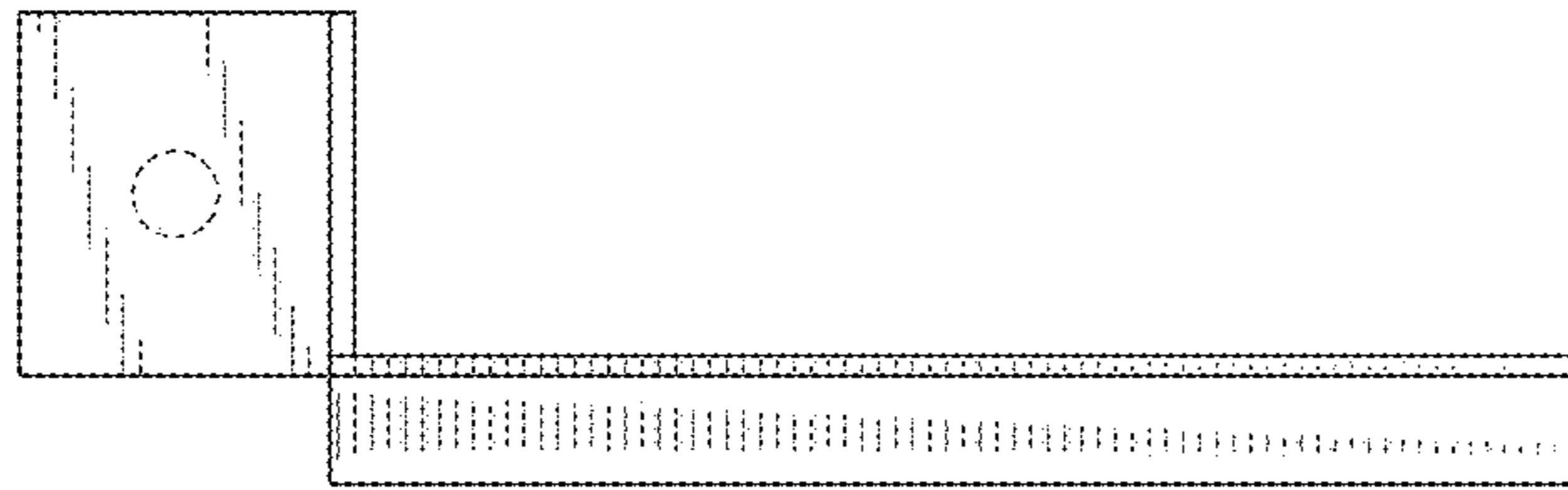


Fig. 4

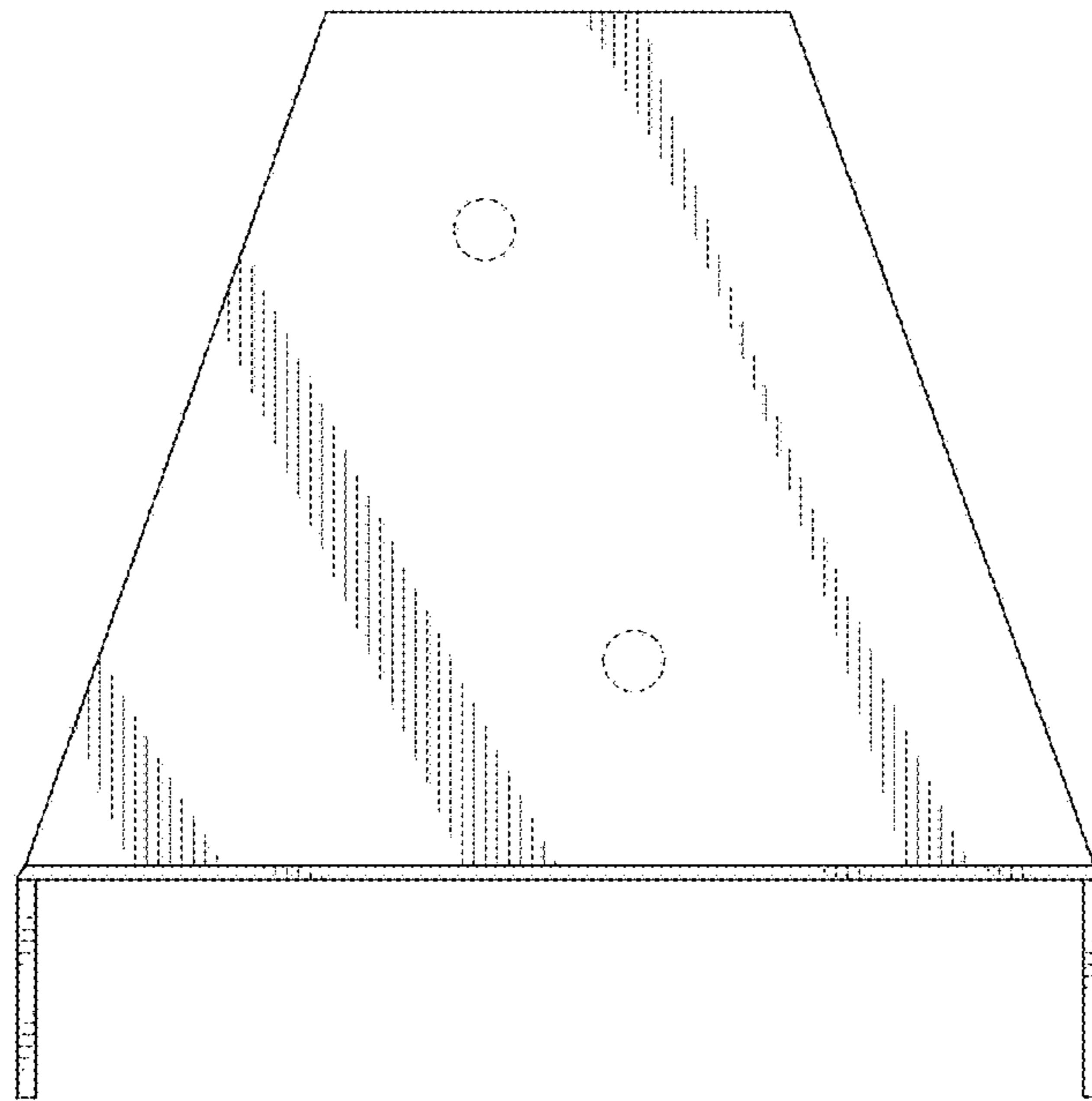


Fig. 5

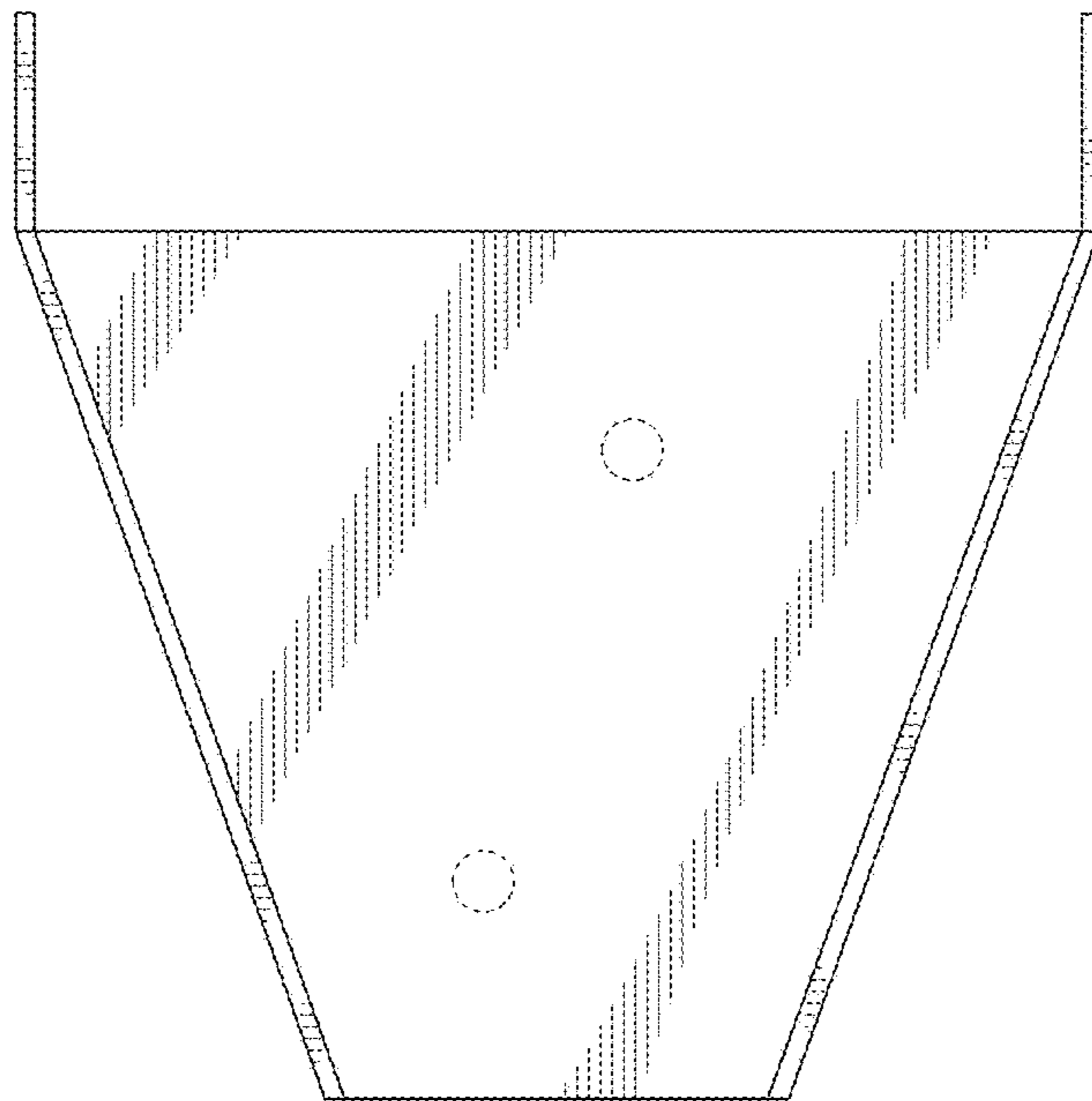


Fig. 6

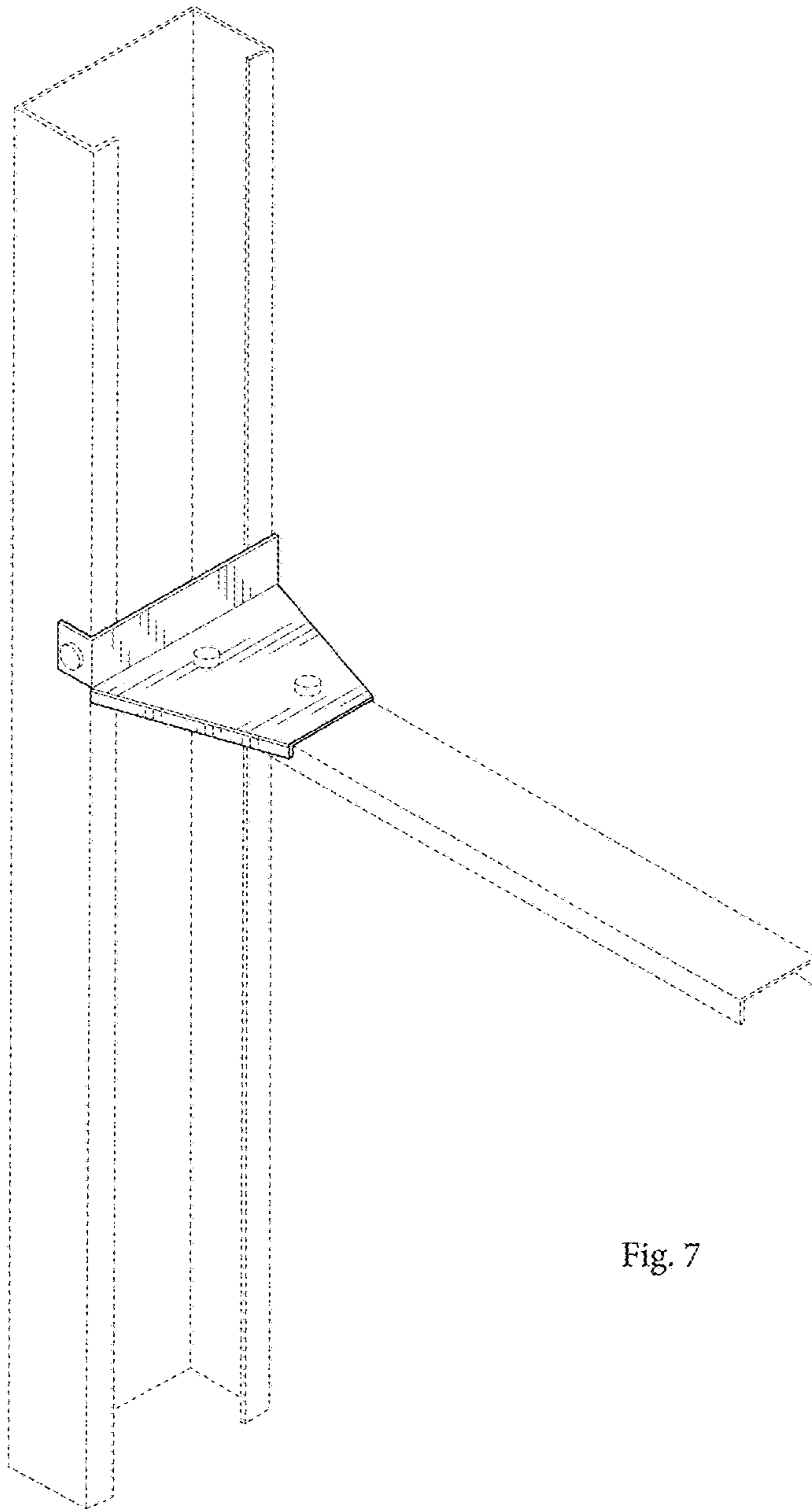


Fig. 7