

US00D837632S

(12) **United States Design Patent**
Kao et al.

(10) **Patent No.:** **US D837,632 S**
(45) **Date of Patent:** **** Jan. 8, 2019**

(54) **LOCK**
(71) Applicant: **ACCO Brands Corporation**, Lake Zurich, IL (US)
(72) Inventors: **James Kao**, Fremont, CA (US); **William De Meulenaere**, Newark, CA (US)

6,318,769 B1 * 11/2001 Kang E05B 63/06 292/1.5
7,650,767 B2 1/2010 Robinson
8,079,237 B2 12/2011 Yang et al.
8,167,634 B2 5/2012 Fujiwara et al.
8,230,707 B2 7/2012 Hung et al.
8,711,553 B2 4/2014 Trinh et al.
(Continued)

(73) Assignee: **ACCO Brands Corporation**, Lake Zurich, IL (US)

FOREIGN PATENT DOCUMENTS

DE 102013019616 A1 5/2014

(**) Term: **15 Years**

OTHER PUBLICATIONS

(21) Appl. No.: **29/609,774**
(22) Filed: **Jul. 5, 2017**
(51) **LOC (11) Cl.** **08-07**
(52) **U.S. Cl.**
USPC **D8/343**
(58) **Field of Classification Search**
USPC D8/300-302, 330, 331, 334, 337, 341, D8/343, 348, 350, 352; 292/2, 327, 346; 70/14, 20-22, 57, 286, 229, 230, 314, 70/DIG. 38, DIG. 39
CPC ... E05B 9/00; E05B 9/06; E05B 29/00; E05B 37/00; E05B 15/1614; E05B 36/06; E05B 47/0692

“Ergotron Introduces lockable Tablet Mount Retail and Commercial Businesses: Mechanical lock offers perfect theft deterrent solution for point-of-sale, back offices or retail kiosks”, ProQuest LLC, 2017, <https://dialog.proquest.com/professional/doc1Aew/1764137282/15A7BD3C6174779041/3?accountid=157282>.

Primary Examiner — Ian Simmons
Assistant Examiner — Yolanda Robinson
(74) *Attorney, Agent, or Firm* — Michael Best & Friedrich LLP

See application file for complete search history.

(57) **CLAIM**

We claim the ornamental design for a lock, as shown and described.

DESCRIPTION

(56) **References Cited**

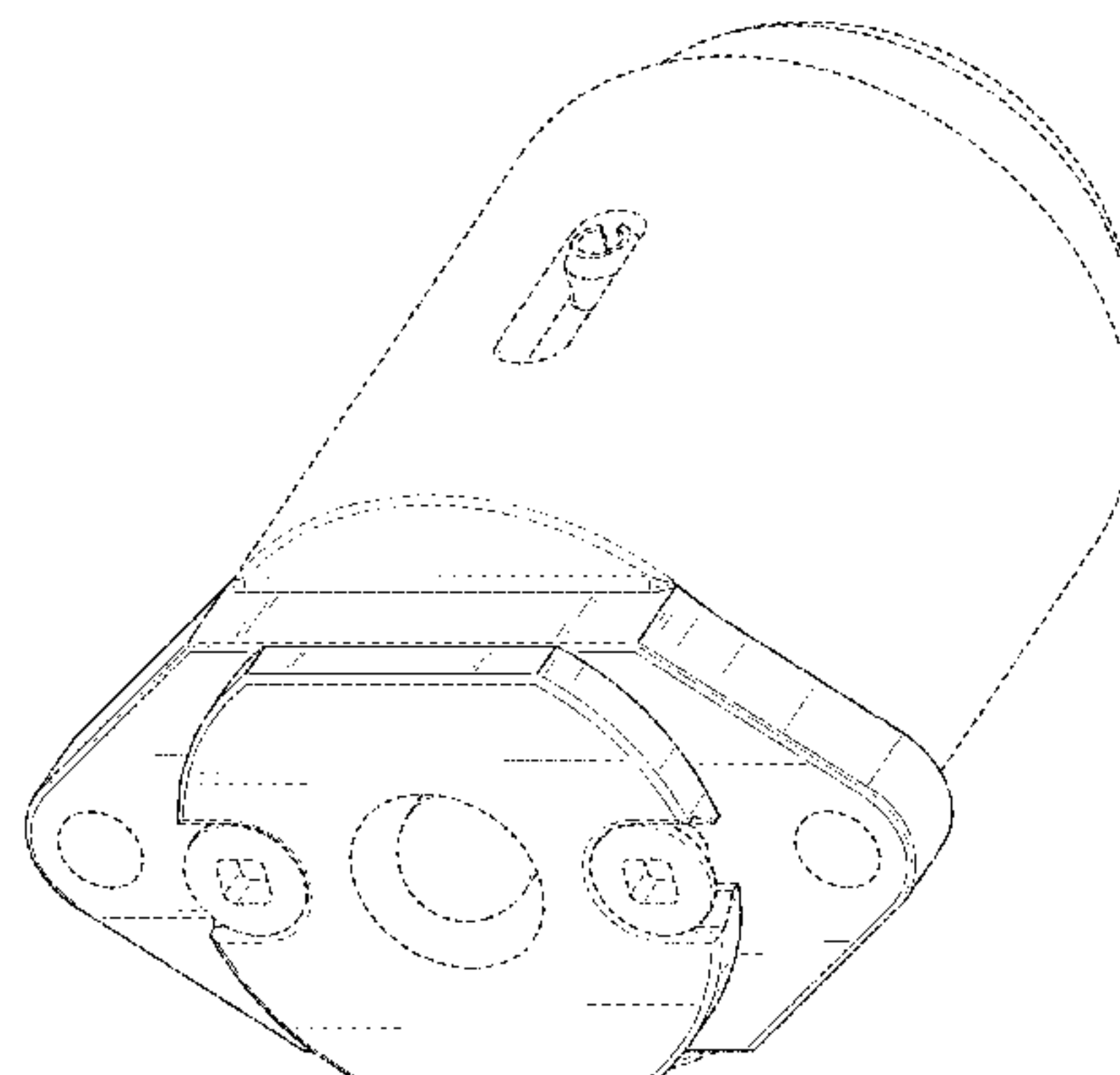
U.S. PATENT DOCUMENTS

4,643,007 A * 2/1987 Fish E05B 63/0017 292/1.5
4,869,087 A * 9/1989 Day E05B 17/2084 70/417
4,876,866 A * 10/1989 Fleming E05B 3/065 70/379 R
4,902,057 A * 2/1990 Ching E05B 63/06 292/1
5,613,715 A * 3/1997 Kim E05B 63/06 292/1.5

FIG. 1 is a perspective view of a lock embodying the invention.

FIG. 2 is a first end view of the lock shown in FIG. 1.
FIG. 3 is a second end view of the lock shown in FIG. 1.
FIG. 4 is a first side view of the lock shown in FIG. 1.
FIG. 5 is a second side view of the lock shown in FIG. 1.
FIG. 6 is a third side view of the lock shown in FIG. 1; and, FIG. 7 is a fourth side view of the lock shown in FIG. 1.
The broken lines in FIG. 1-7 show portions of the lock that form no part of the claimed design.

1 Claim, 7 Drawing Sheets



(56)

References Cited

U.S. PATENT DOCUMENTS

8,979,048	B2	3/2015	Tschann et al.	
9,033,228	B2	5/2015	Govindarajan et al.	
9,220,358	B2	12/2015	Wheeler et al.	
9,448,598	B2	9/2016	Wang et al.	
9,523,224	B2 *	12/2016	Daniels	E05C 1/10
9,587,782	B2	3/2017	Johnson et al.	
D795,671	S *	8/2017	Cordon	D8/331
D806,517	S *	1/2018	Kessler	D8/331
2005/0011237	A1 *	1/2005	Lurie	E05B 9/086 70/100
2007/0052250	A1 *	3/2007	Bodily	E05B 63/06 292/337
2015/0032559	A1	1/2015	Sonnendorfer et al.	
2015/0037085	A1	2/2015	Carnevali	
2016/0225204	A1	8/2016	Grziwok et al.	
2017/0321450	A1 *	11/2017	Trent	E05B 35/105
2018/0080245	A1 *	3/2018	Martin	E05B 15/0205

* cited by examiner

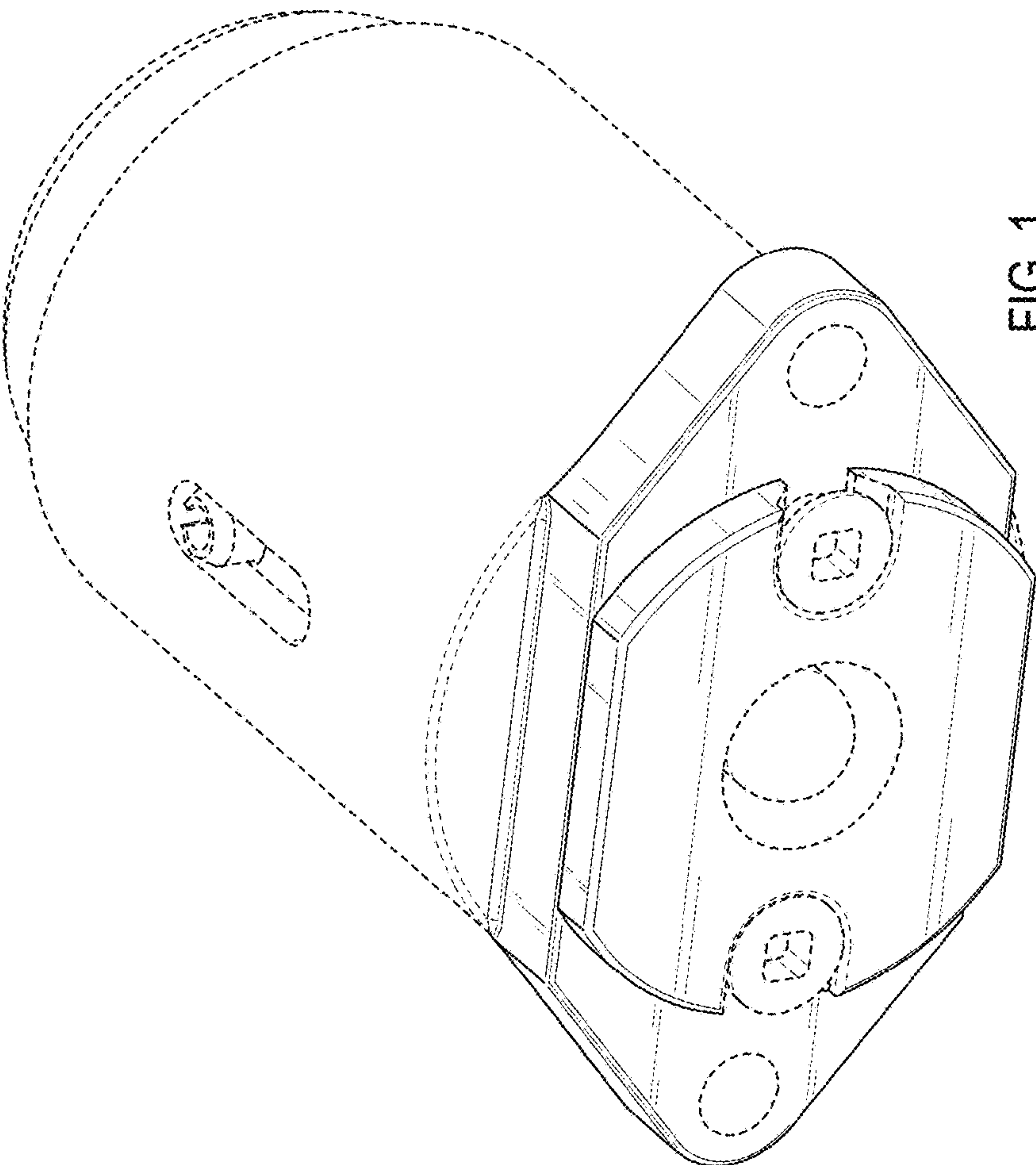


FIG. 1

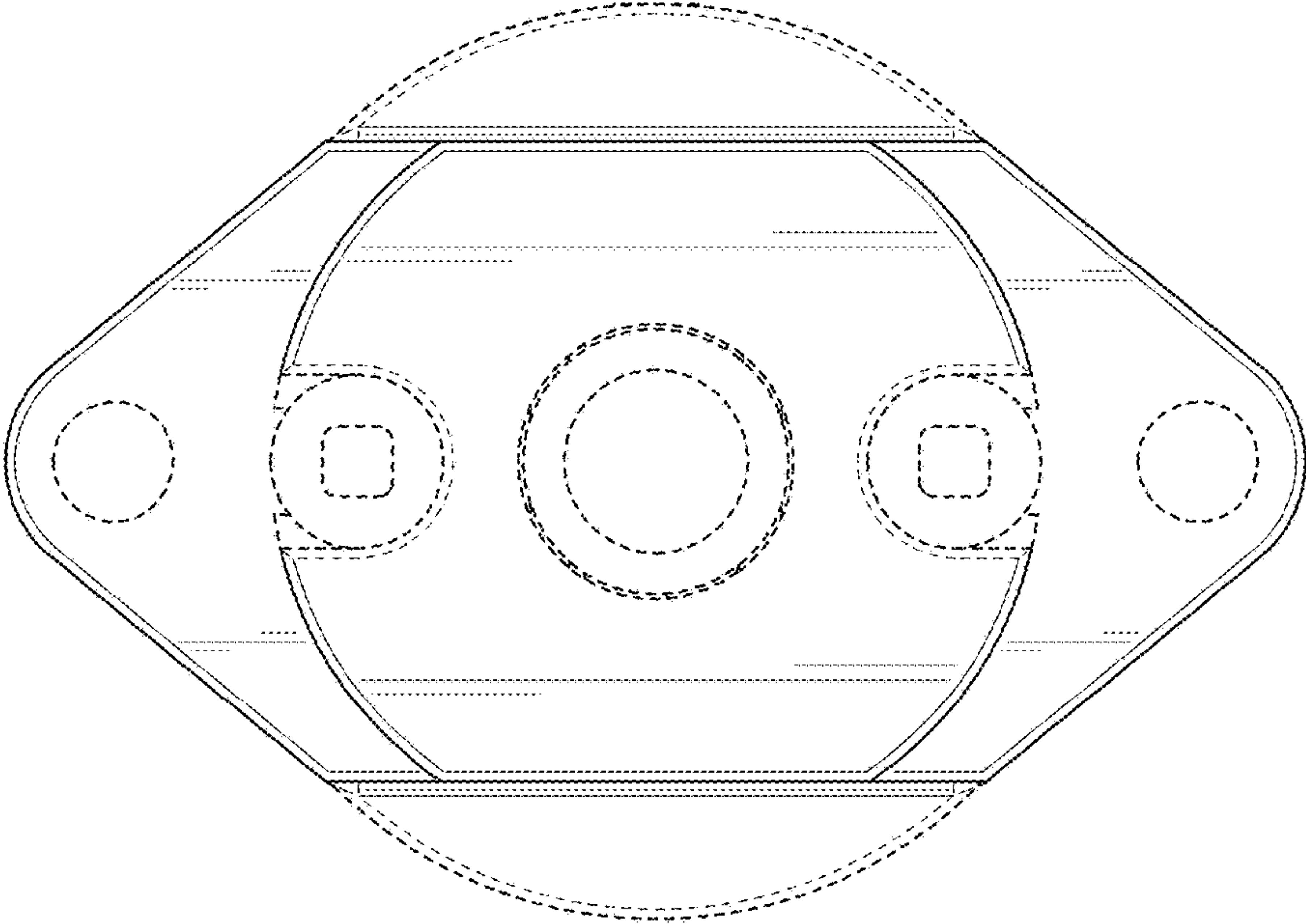


FIG. 2

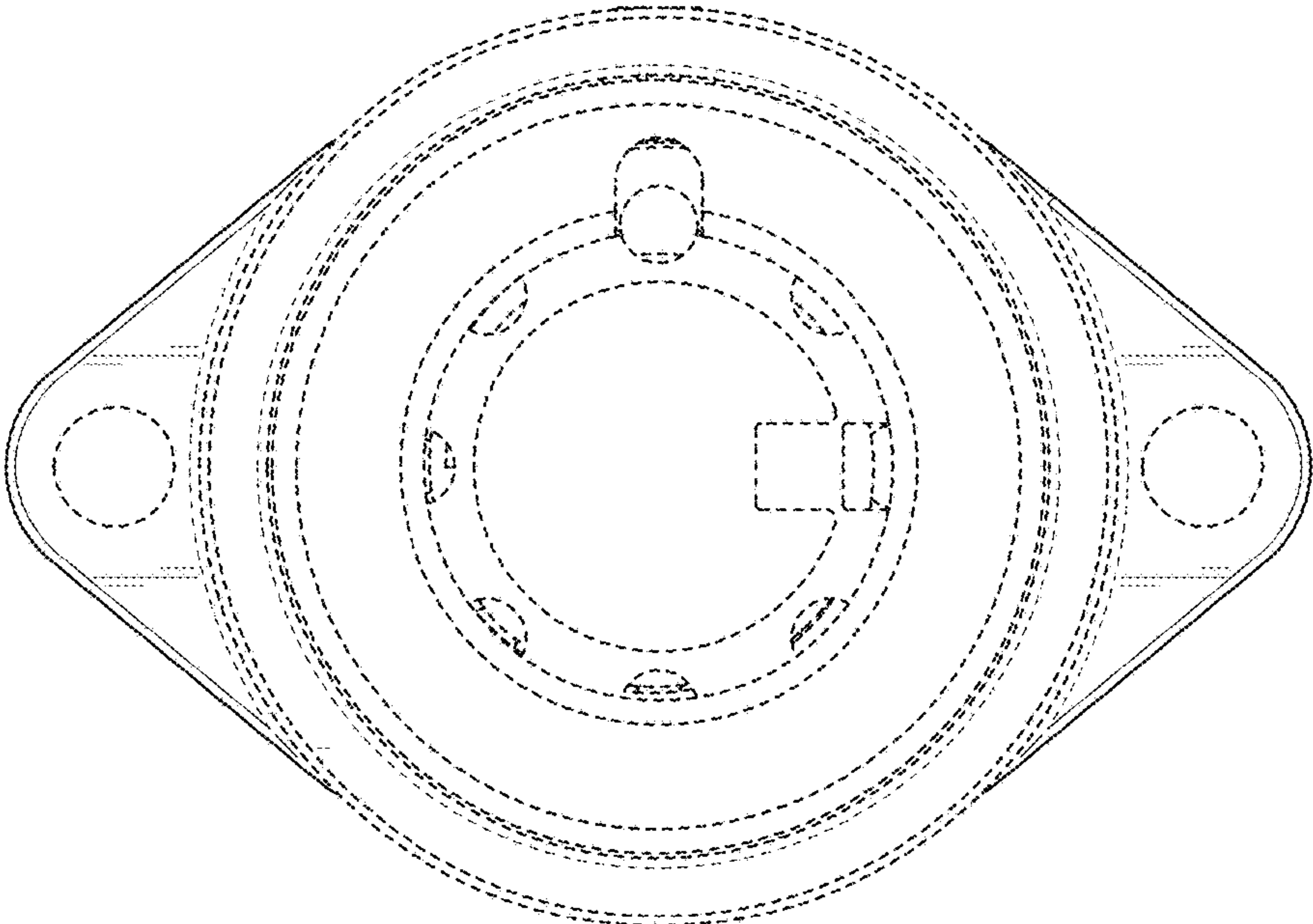


FIG. 3

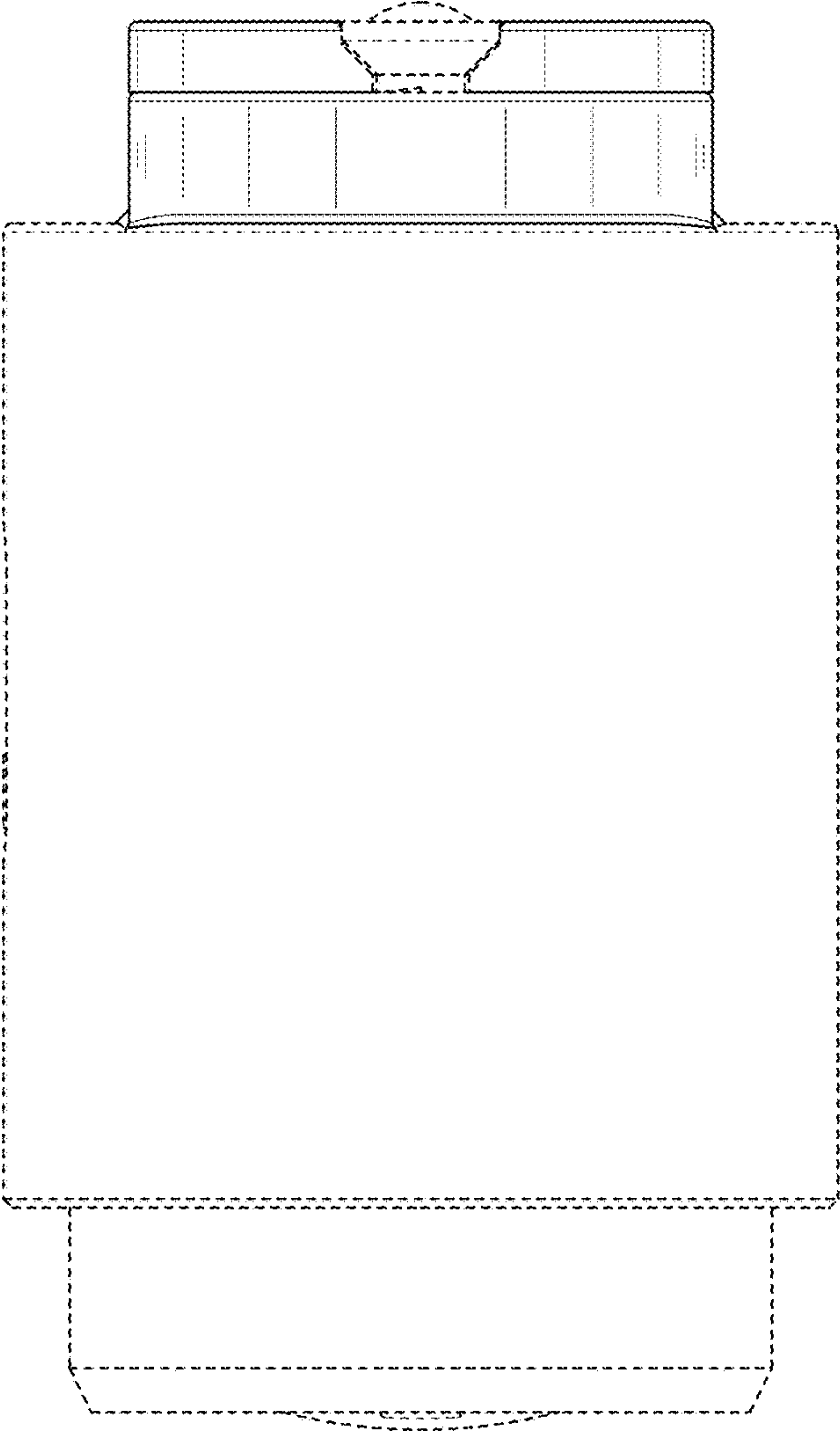


FIG. 4

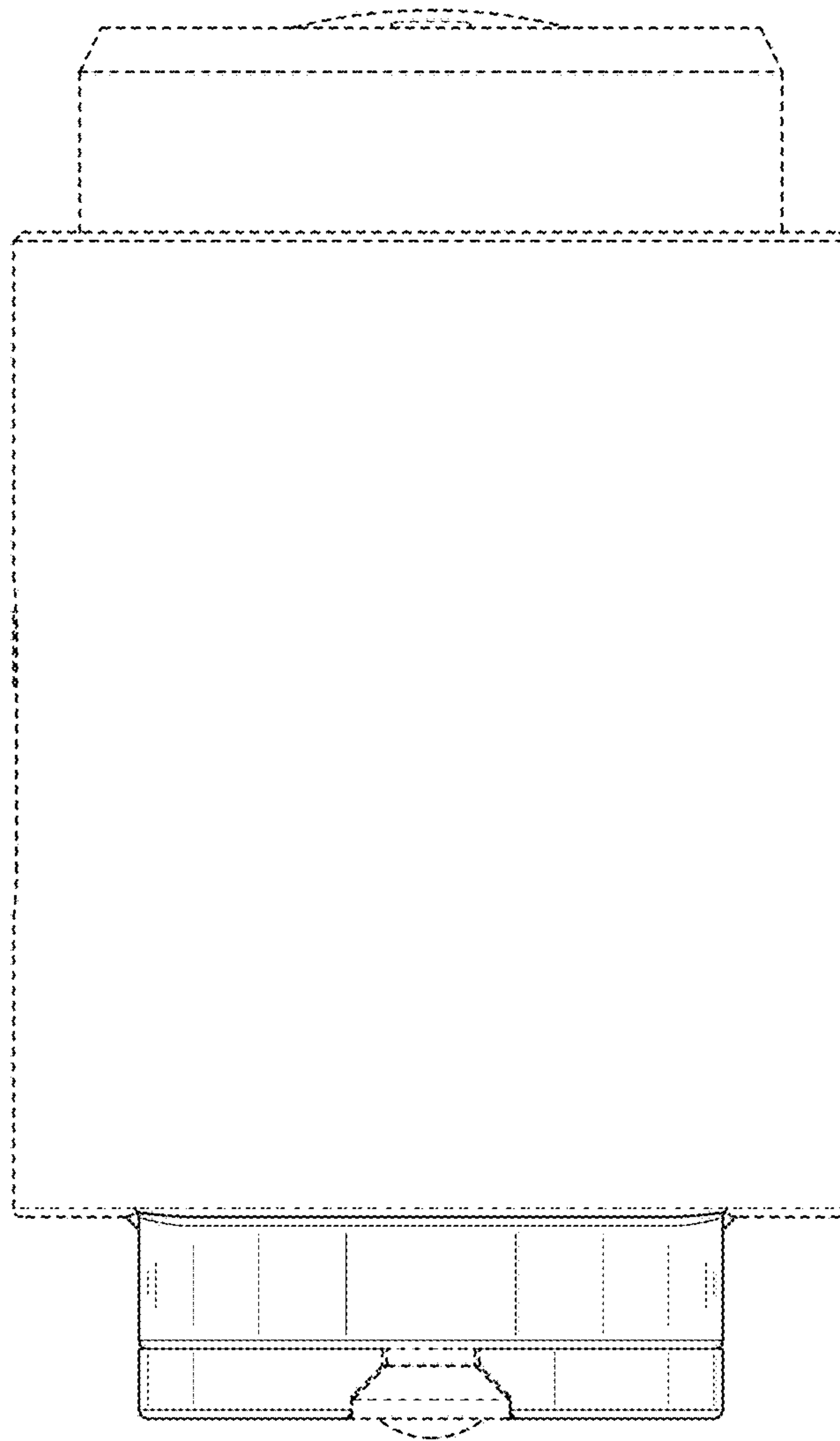


FIG. 5

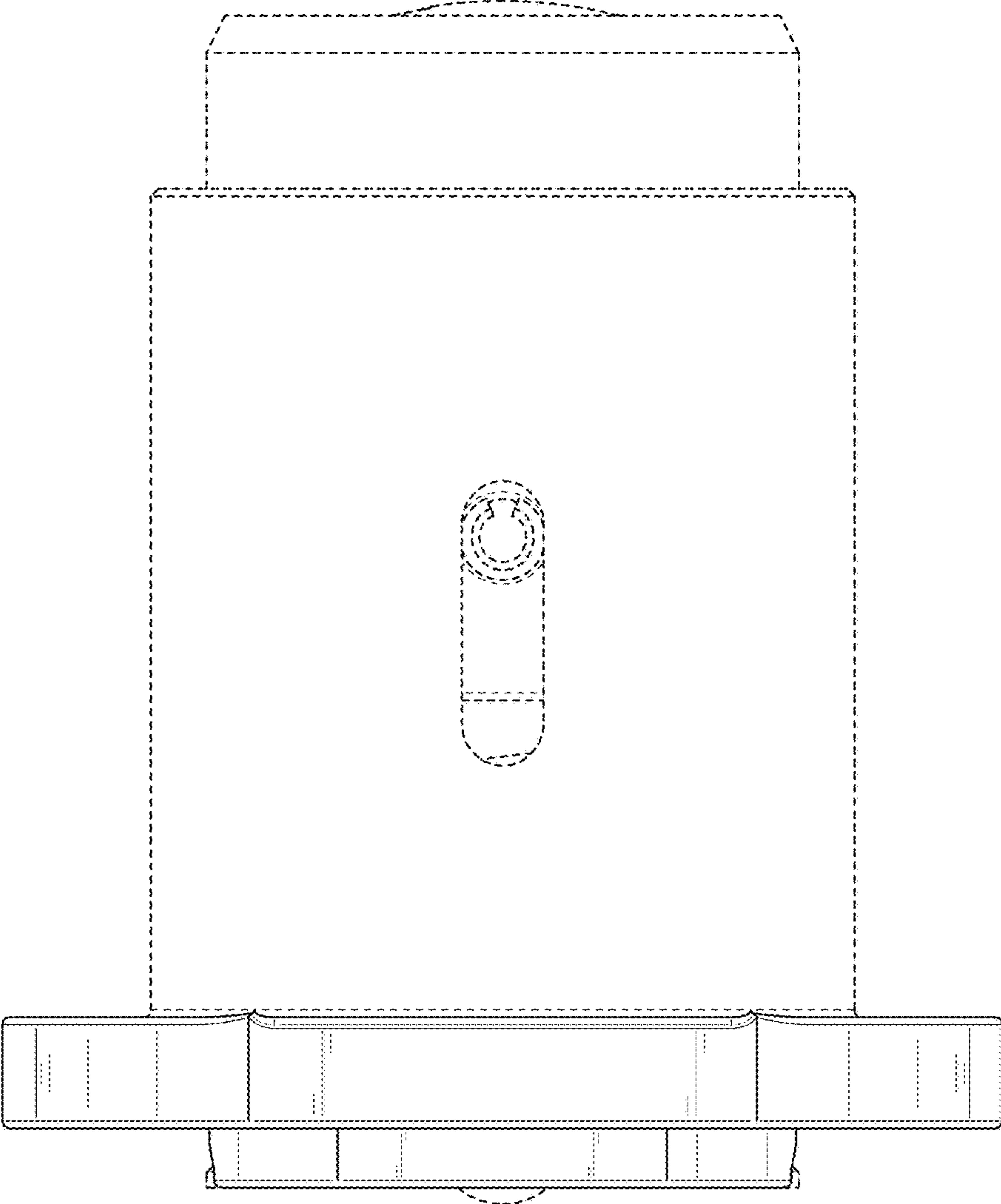


FIG. 6

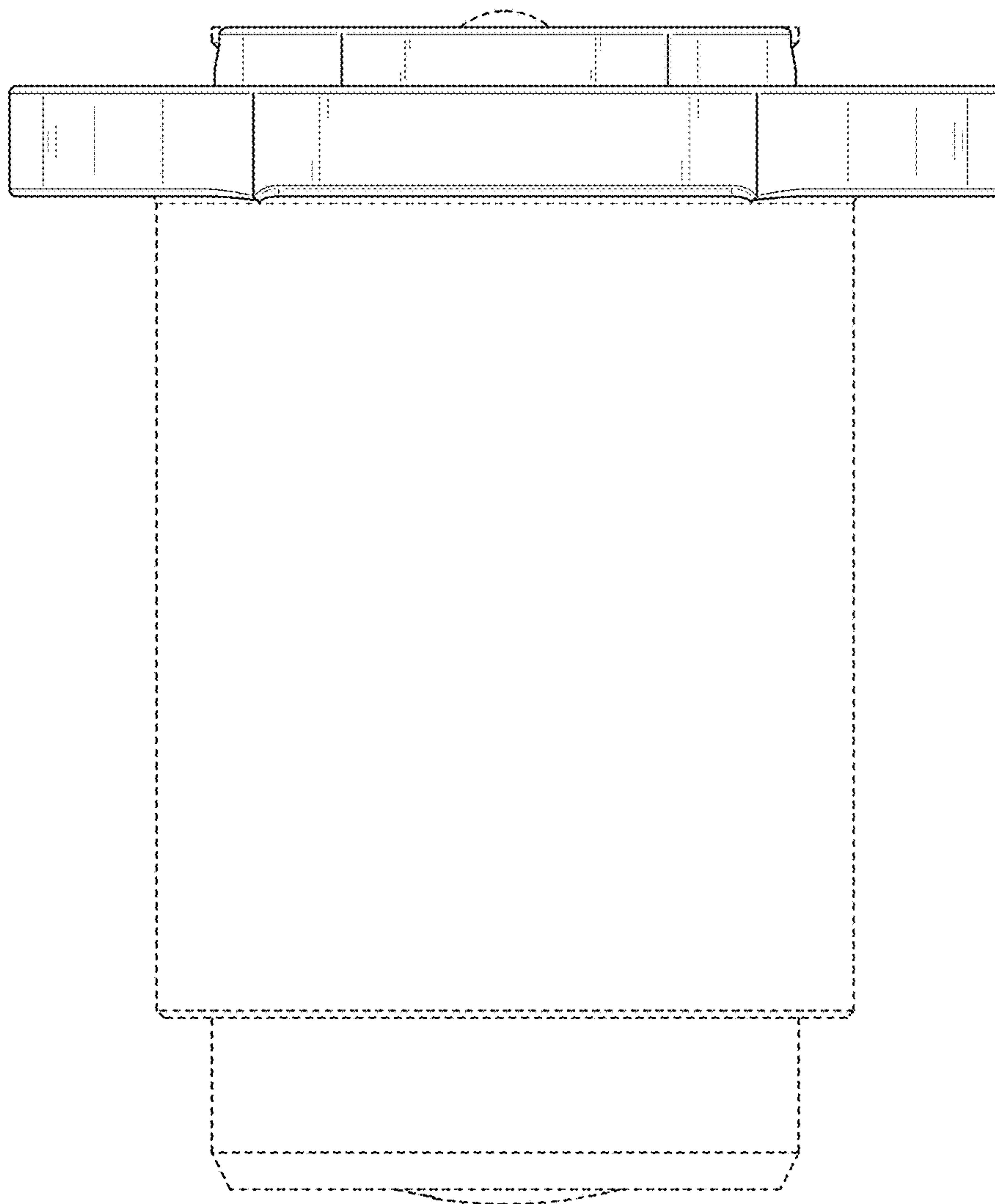


FIG. 7