



US00D837631S

(12) **United States Design Patent**
Han et al.

(10) **Patent No.:** **US D837,631 S**
(45) **Date of Patent:** **** Jan. 8, 2019**

- (54) **ELECTRIC DOOR OPENER FOR DIGITAL LOCKER**
- (71) Applicant: **ASSA ABLOY Korea Co., Ltd., Seoul (KR)**
- (72) Inventors: **Ok-Soon Han, Seoul (KR); In-Hyun Baik, Anyang-si (KR)**
- (73) Assignee: **ASSA ABLOY KOREA CO., LTD., Seoul (KR)**
- (**) Term: **15 Years**

8,490,443	B2 *	7/2013	Gokcebay	G07C 9/00666	70/214
8,495,898	B2 *	7/2013	Gokcebay	G07C 9/00666	70/214
8,616,031	B2 *	12/2013	Ullrich	E05B 65/462	70/278.7
D720,598	S *	1/2015	Dayanikli	D8/330	
D737,114	S *	8/2015	Gokcebay	D8/330	
9,236,359	B2 *	1/2016	Ching	H01L 23/5283	
9,273,492	B2 *	3/2016	Gokcebay	E05B 47/06	
D762,102	S *	7/2016	Gokcebay	D8/330	
D794,414	S *	8/2017	Chou	D8/330	
D804,279	S *	12/2017	Gokcebay	D8/331	
D813,643	S *	3/2018	Valencich	D8/331	

- (21) Appl. No.: **29/606,425**
- (22) Filed: **Jun. 5, 2017**
- (30) **Foreign Application Priority Data**

- Dec. 14, 2016 (KR) 30-2016-0060681
- (51) **LOC (11) Cl.** **08-07**
- (52) **U.S. Cl.**
USPC **D8/331; D8/330**
- (58) **Field of Classification Search**
USPC D8/301, 302, 330, 331, 349, 400, 499;
70/57, 57.1, 14, 20, 91, 92, 102, 141,
70/237, 262, 263, 266, 278.1, 279.1, 416,
70/465, 442, 443, 214, 78, 447; 340/5.6,
340/5.61, 5.64, 5.73, 286.01, 542, 547,
340/545.1, 545.7; 292/336.3, 257, 194,
292/195, 198, 164, 165
CPC E05B 49/00; E05B 41/00; E05B 65/52;
E05B 51/00; E06B 65/00; B65D 55/07
See application file for complete search history.

- (56) **References Cited**
U.S. PATENT DOCUMENTS
4,899,562 A * 2/1990 Gartner G07C 9/0069
70/277
D656,055 S * 3/2012 Mouawad D11/1

* cited by examiner

Primary Examiner — Elizabeth J Oswecki

(74) *Attorney, Agent, or Firm* — Cantor Colburn LLP

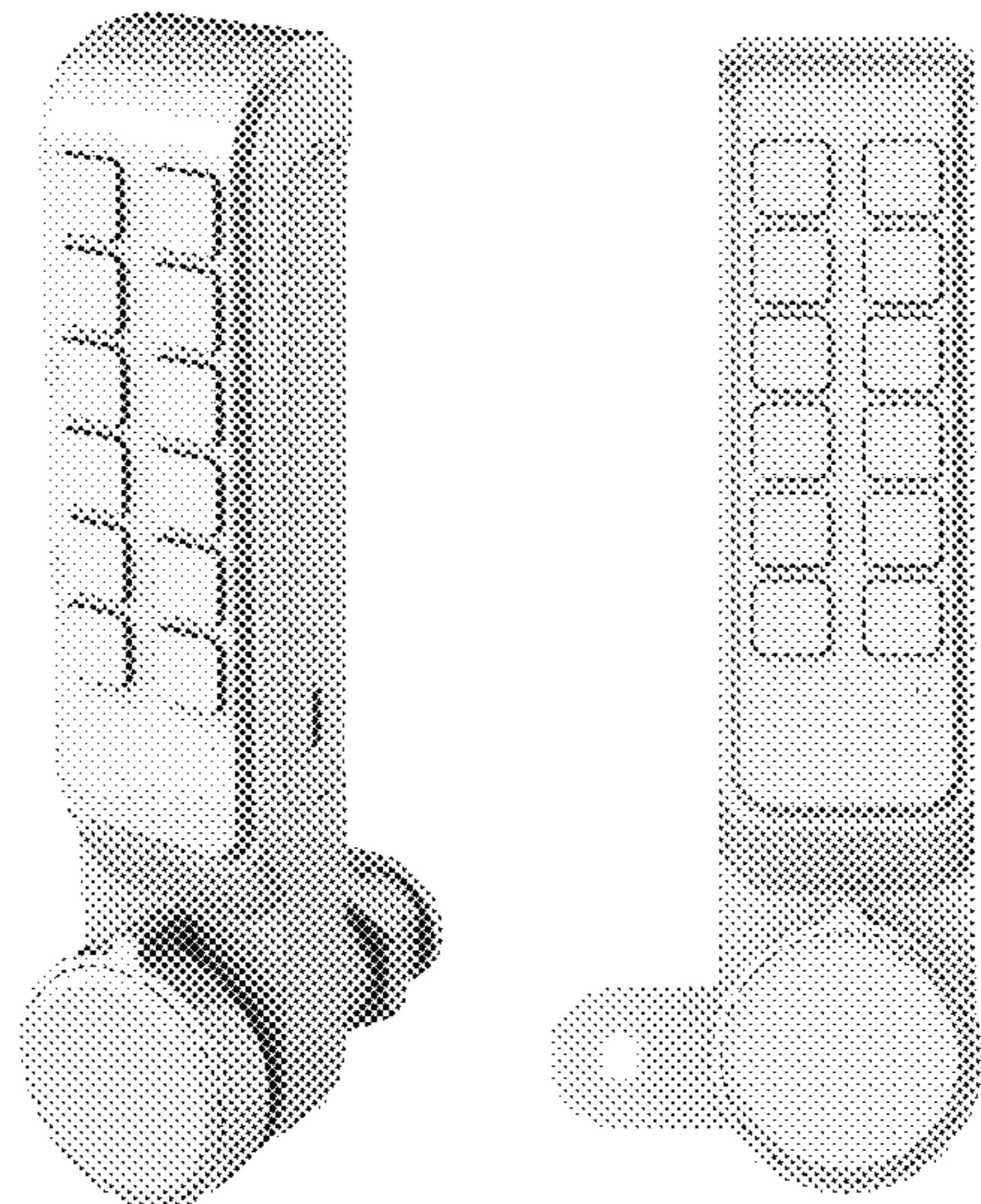
(57) **CLAIM**

The ornamental design for an electric door opener for digital locker, as shown and described.

DESCRIPTION

FIG. 1 is a perspective view of an electric door opener for digital locker showing our new design;
FIG. 2 is a front elevational view thereof;
FIG. 3 is a rear elevational view thereof;
FIG. 4 is a left side elevational view thereof;
FIG. 5 is a right side elevational view thereof;
FIG. 6 is a top plan view thereof; and,
FIG. 7 is a bottom plan view thereof.

1 Claim, 6 Drawing Sheets



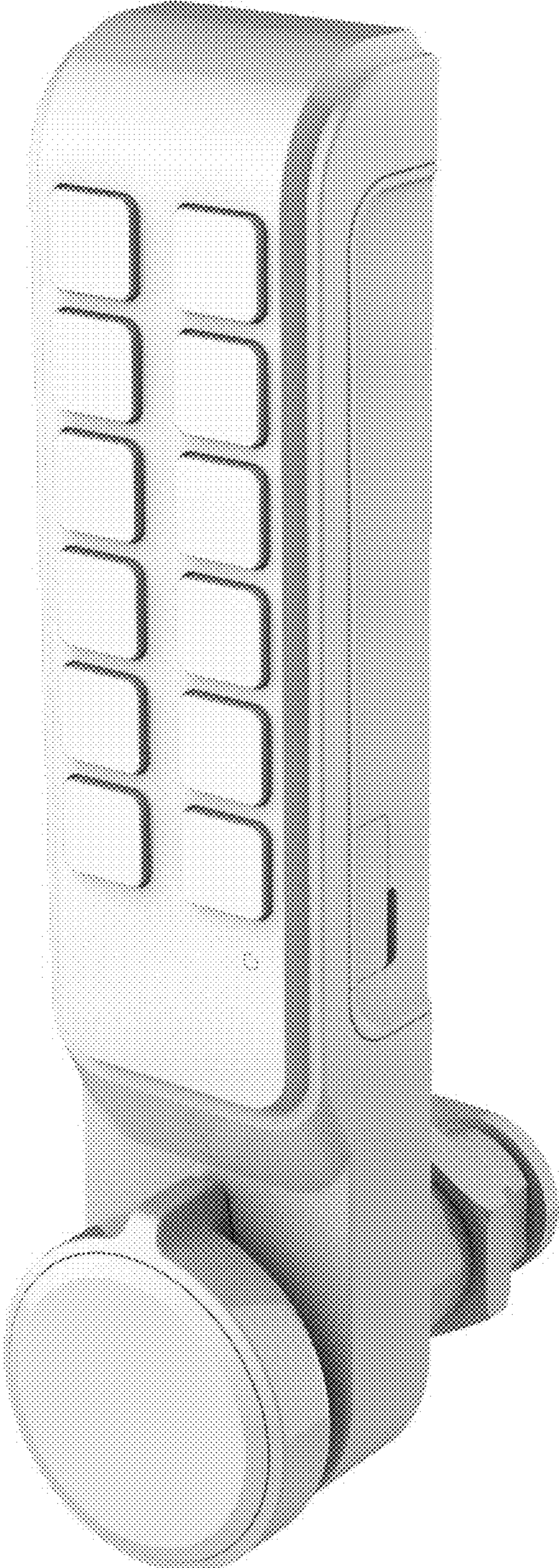


FIG. 1

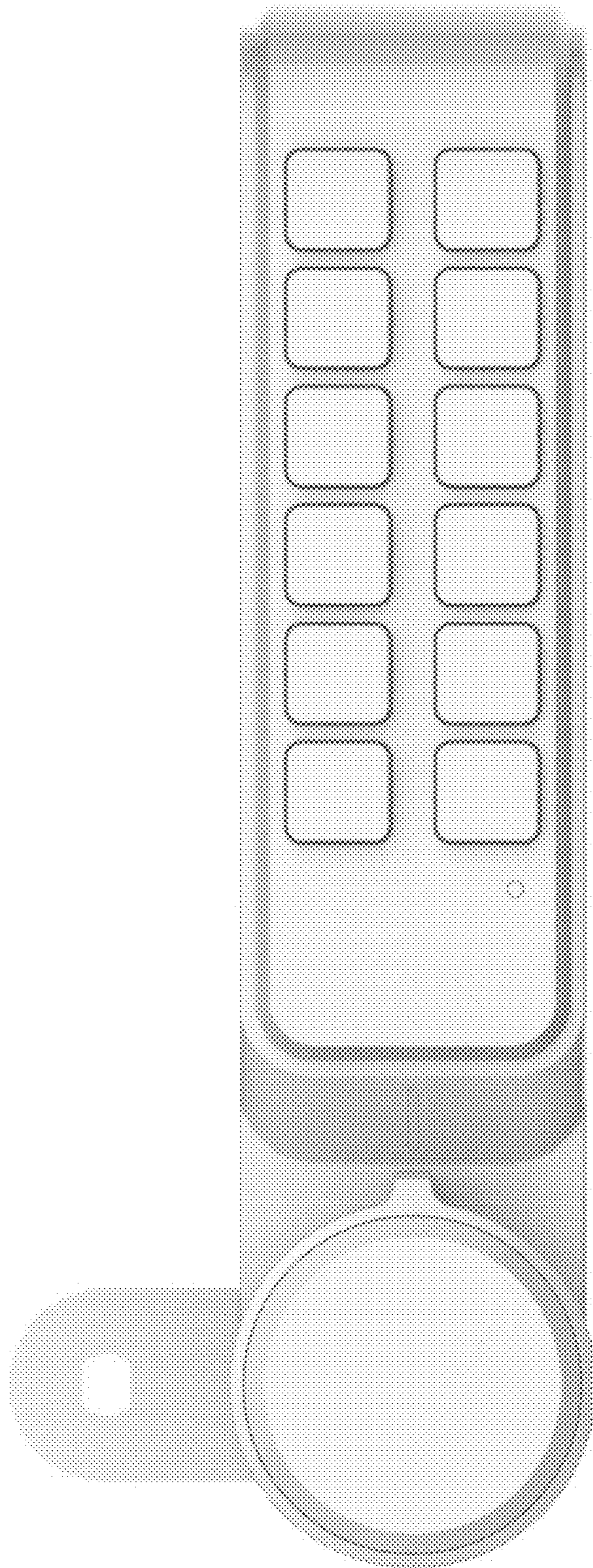


FIG. 2

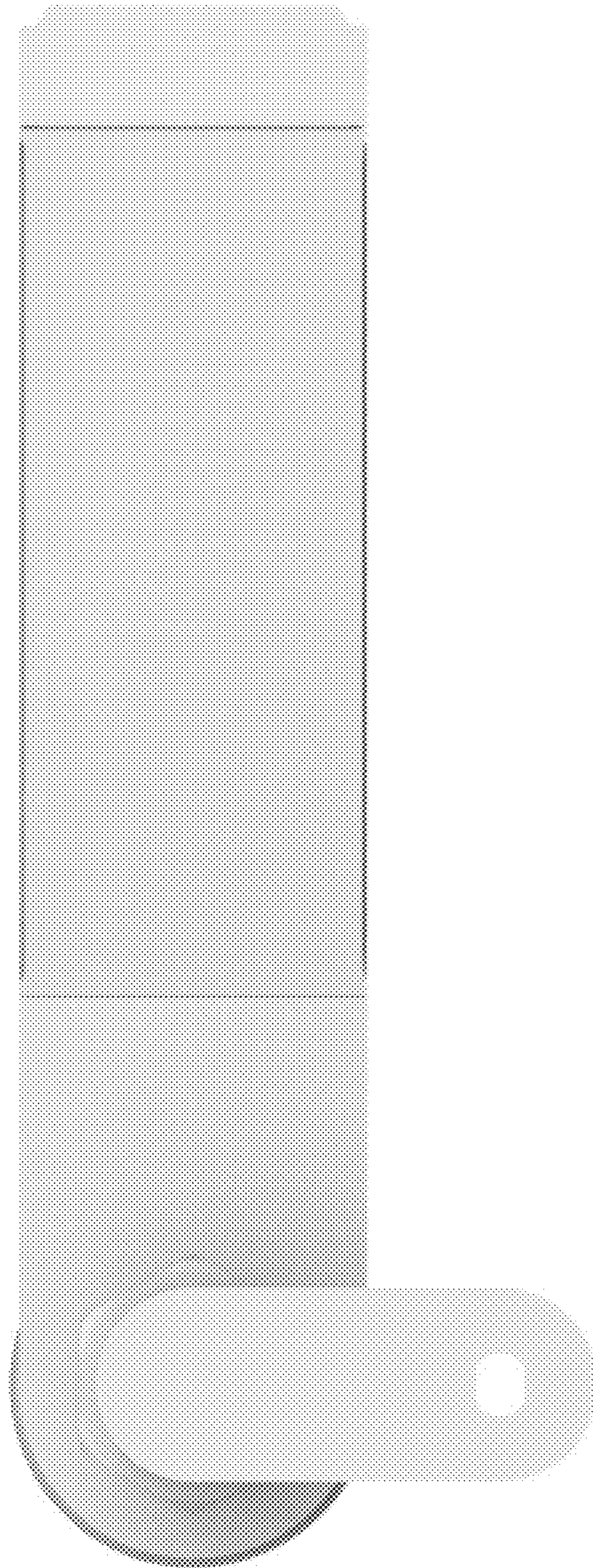


FIG. 3

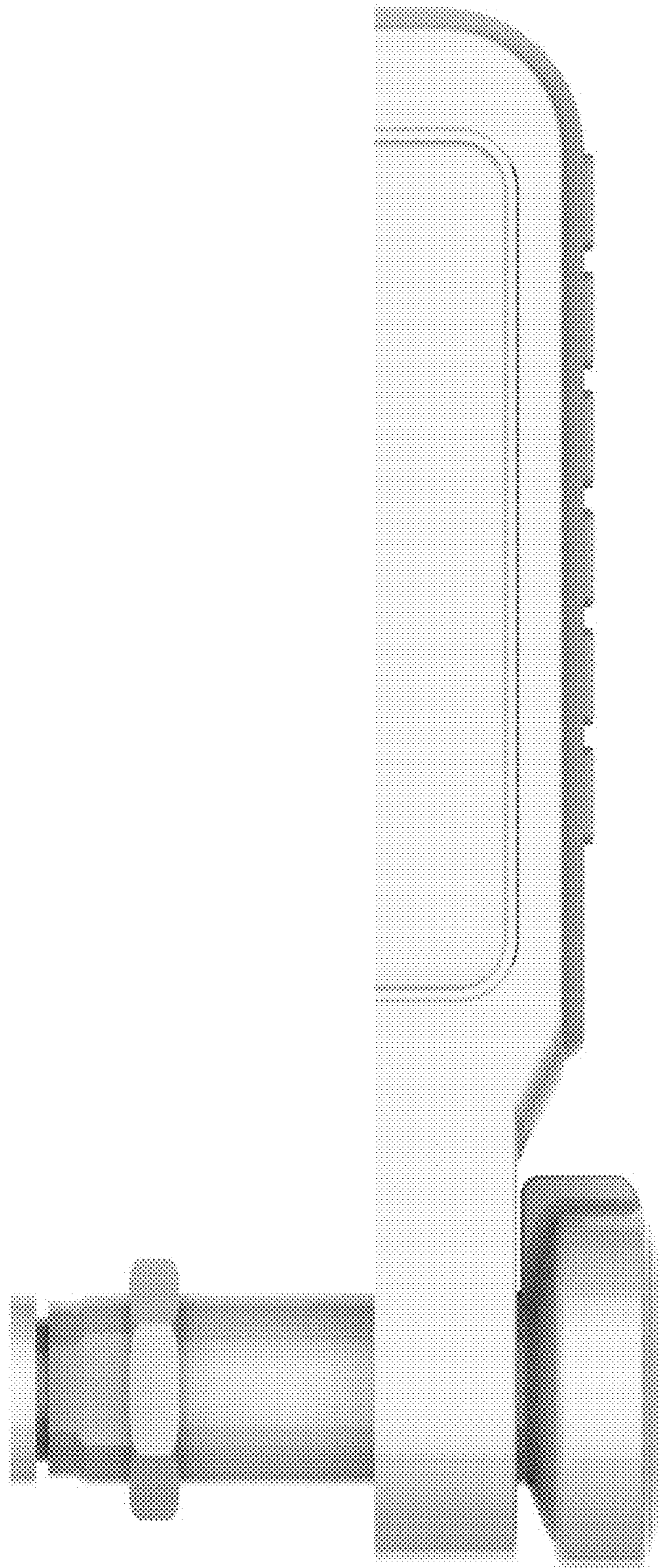


FIG. 4

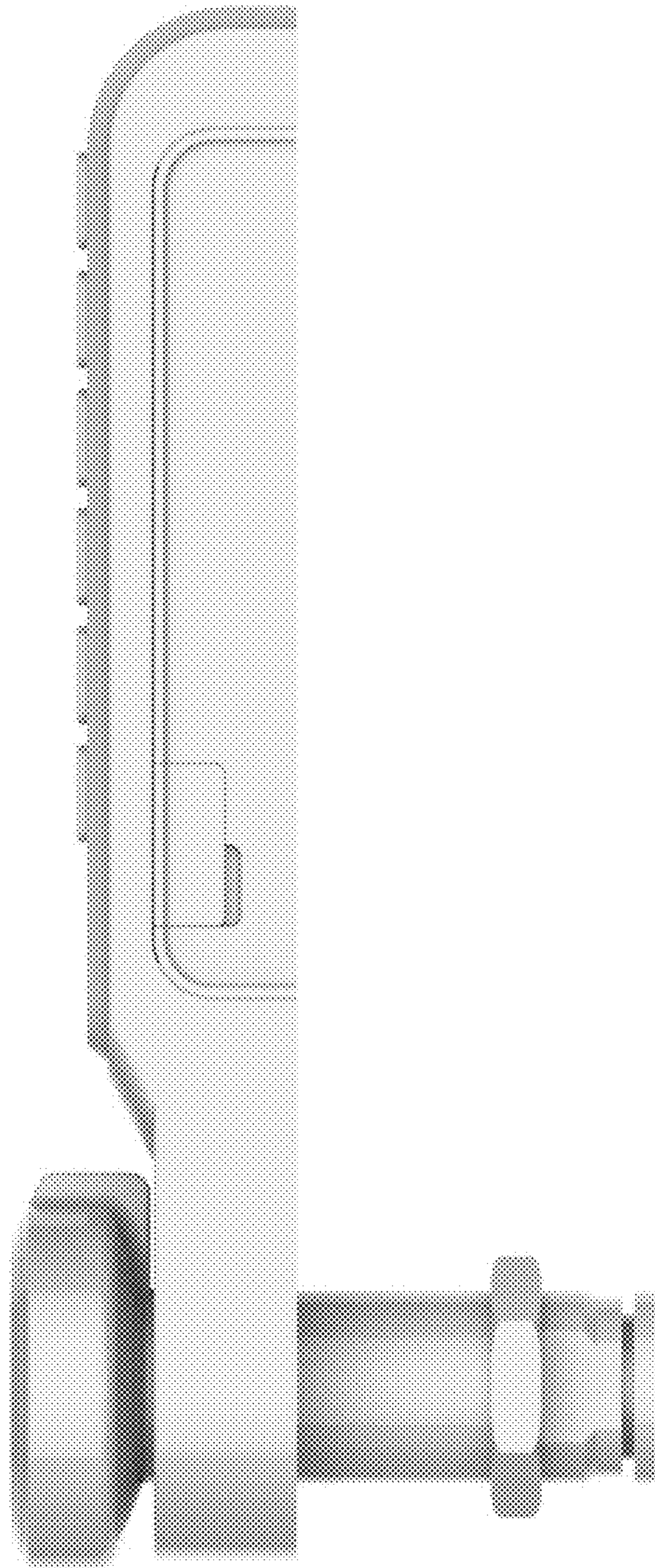


FIG. 5

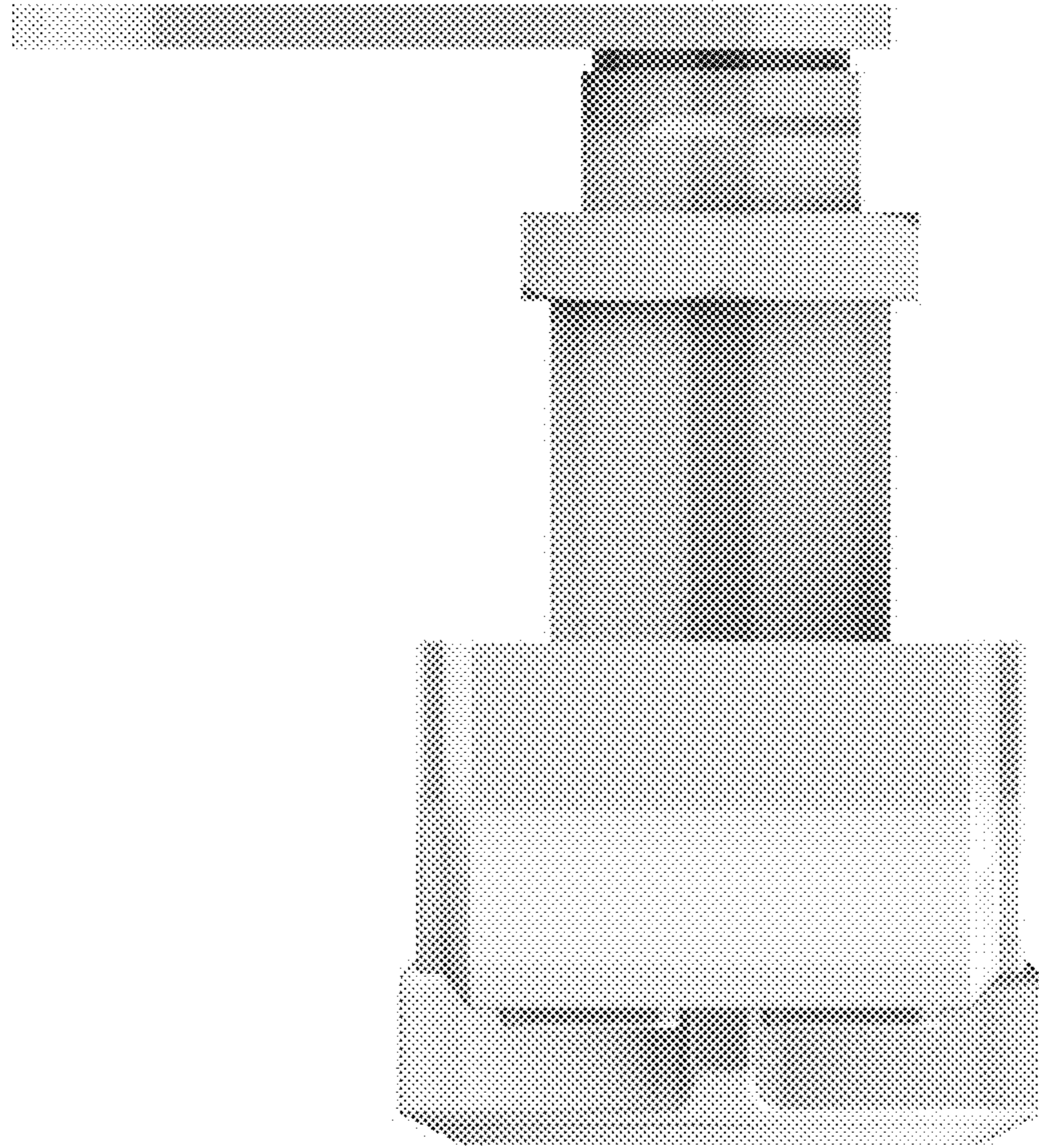


FIG. 6

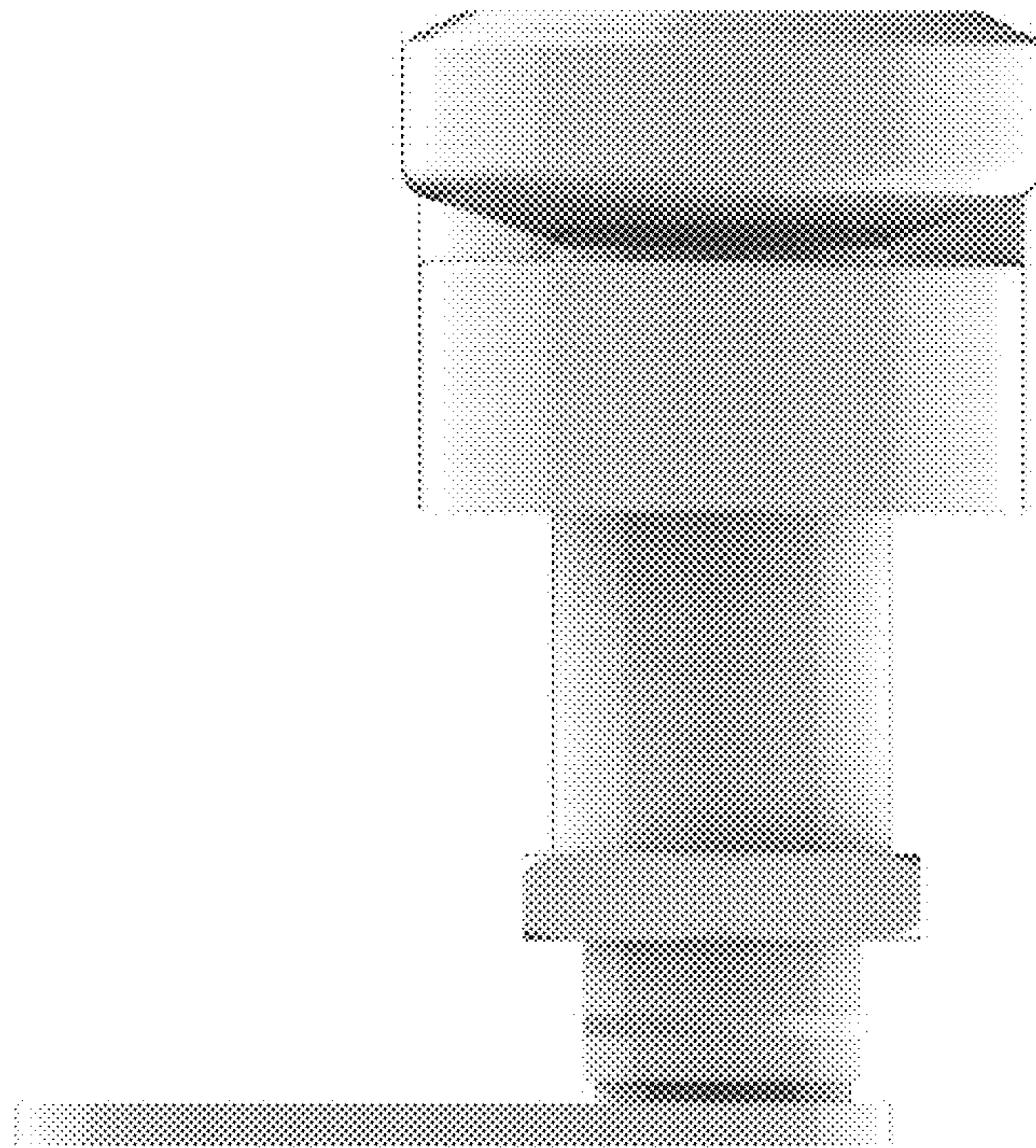


FIG. 7