



US00D837628S

(12) **United States Design Patent** (10) **Patent No.:** **US D837,628 S**  
**Neal** (45) **Date of Patent:** **\*\* Jan. 8, 2019**

(54) **DOOR SURROUND KNOB** 3,679,252 A \* 7/1972 Howie, Jr. .... G05G 1/12  
292/349  
(71) Applicant: **Omix-Ada, Inc.**, Suwanee, GA (US) D472,947 S \* 4/2003 Wu ..... D21/694  
D495,577 S \* 9/2004 Dewald ..... D8/307  
(72) Inventor: **Jesse Neal**, Dacula, GA (US) D503,216 S \* 3/2005 Berkman ..... D23/249  
D602,124 S \* 10/2009 Jones ..... D23/245  
(73) Assignee: **Omix-Ada, Inc.**, Sunwanee, GA (US) 7,963,003 B1 \* 6/2011 Keene ..... F24C 15/086  
16/441  
D687,697 S \* 8/2013 Troise ..... D8/305  
(\*\*) Term: **15 Years** D720,198 S \* 12/2014 Sabbag ..... D8/307  
9,771,882 B2 \* 9/2017 Repasky ..... F02D 33/006

(21) Appl. No.: **29/604,577**

(22) Filed: **May 18, 2017**

(51) **LOC (11) Cl.** ..... **08-06**

(52) **U.S. Cl.**  
USPC ..... **D8/310**

(58) **Field of Classification Search**  
USPC ..... D8/300, 307, 310-312; D7/393;  
D23/250, 252, 254  
CPC ... Y10T 292/57; Y10T 16/469; Y10T 292/82;  
Y10T 74/2084; Y10T 292/85; Y10T  
16/458; Y10T 16/506; Y10T 70/5155;  
Y10T 16/46; Y10T 16/4559; Y10T  
74/20828; Y10T 70/8541; Y10T  
74/20612; Y10T 16/459; Y10T 16/487;  
Y10T 70/5389; Y10T 16/462; Y10T  
16/4636; E05B 1/0007; E05B 3/00; Y10S  
16/30; Y10S 292/53; Y10S 292/27  
See application file for complete search history.

(56) **References Cited**

**U.S. PATENT DOCUMENTS**

D33,861 S \* 1/1901 Glauner ..... D23/250  
D187,847 S \* 5/1960 Kohler ..... D23/250  
D187,849 S \* 5/1960 Kohler ..... D23/253  
D206,147 S \* 11/1966 Rockford, III ..... D8/310

\* cited by examiner

*Primary Examiner* — Lauren R Calve

(74) *Attorney, Agent, or Firm* — The Dobrusin Law Firm,  
P.C.; Daniel P. Aleksynas

(57) **CLAIM**

The ornamental design for a door surround knob, as shown  
and described.

**DESCRIPTION**

FIG. 1 is a front perspective view of a door surround knob  
showing my new design.  
FIG. 2 is a top plan view thereof.  
FIG. 3 is a bottom plan view thereof.  
FIG. 4 is a front elevational view thereof, the rear elevational  
view being a mirror image of the front elevational view; and,  
FIG. 5 is a right side elevational view thereof, the left side  
elevational view being a mirror image of the right side  
elevational view.

The broken lines shown in the drawings represent visible  
environmental structure or unclaimed portions of the struc-  
ture of the door surround knob, and form no part of the  
claimed design.

**1 Claim, 2 Drawing Sheets**

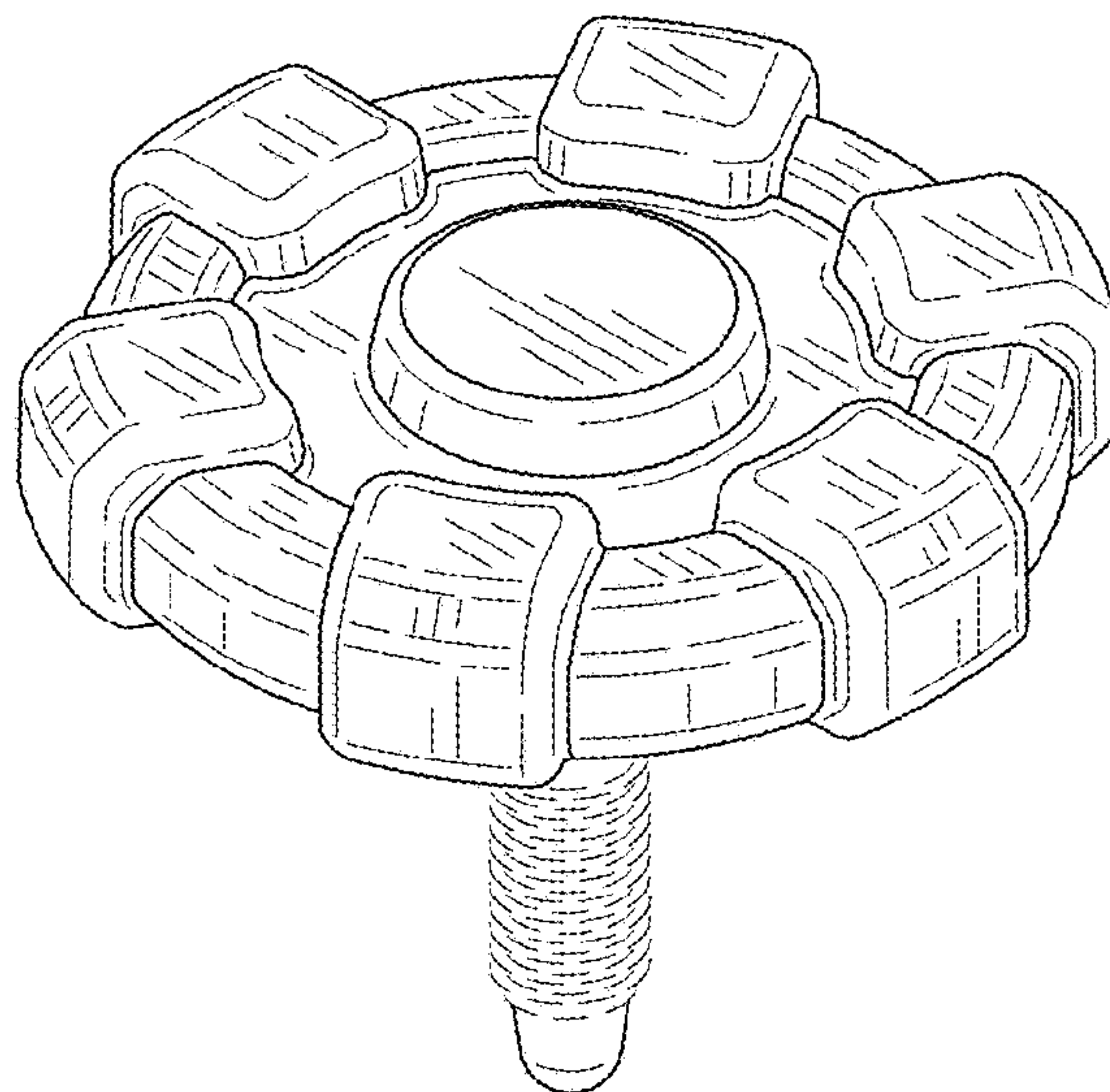


FIG. 1

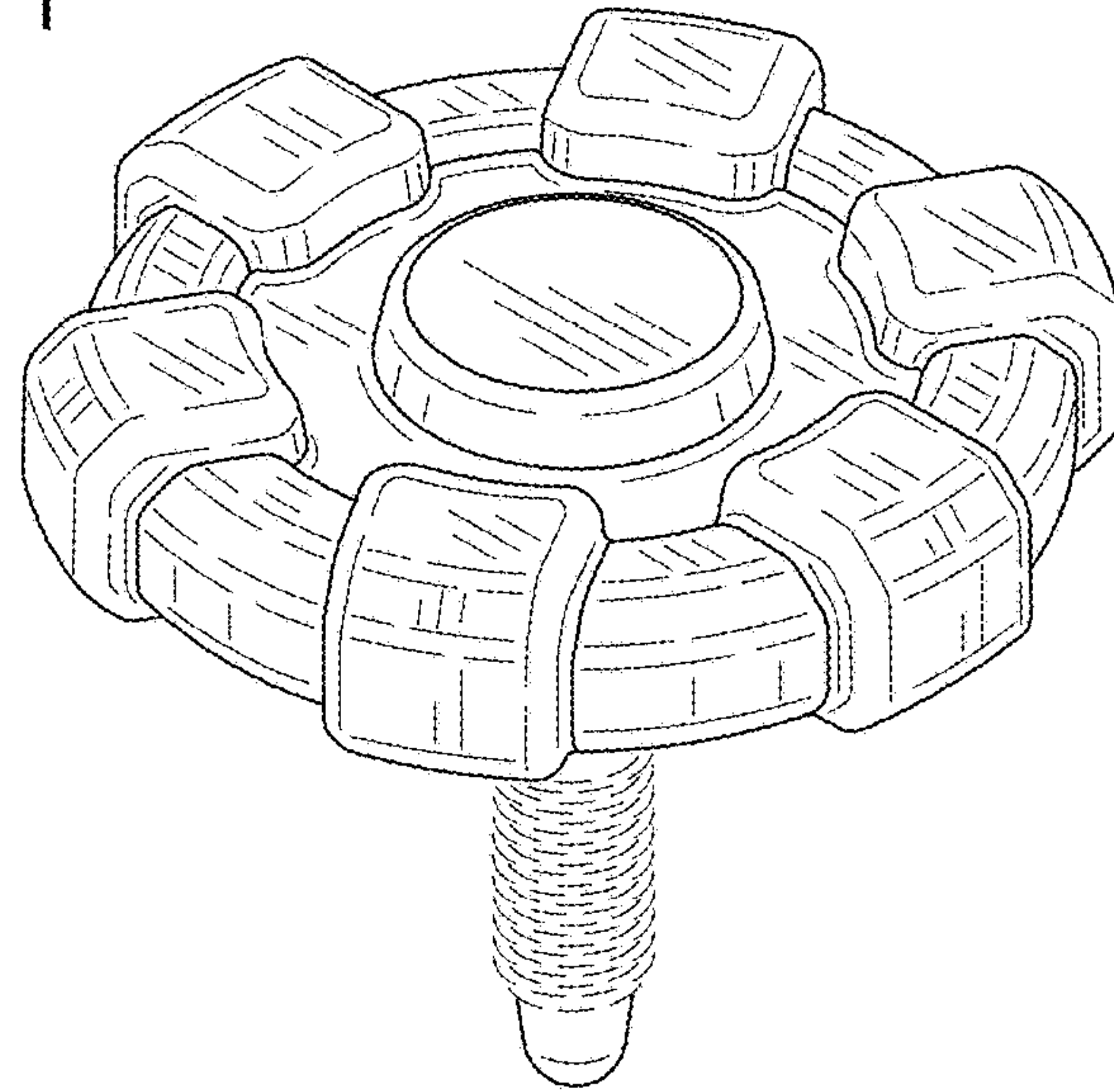


FIG. 2

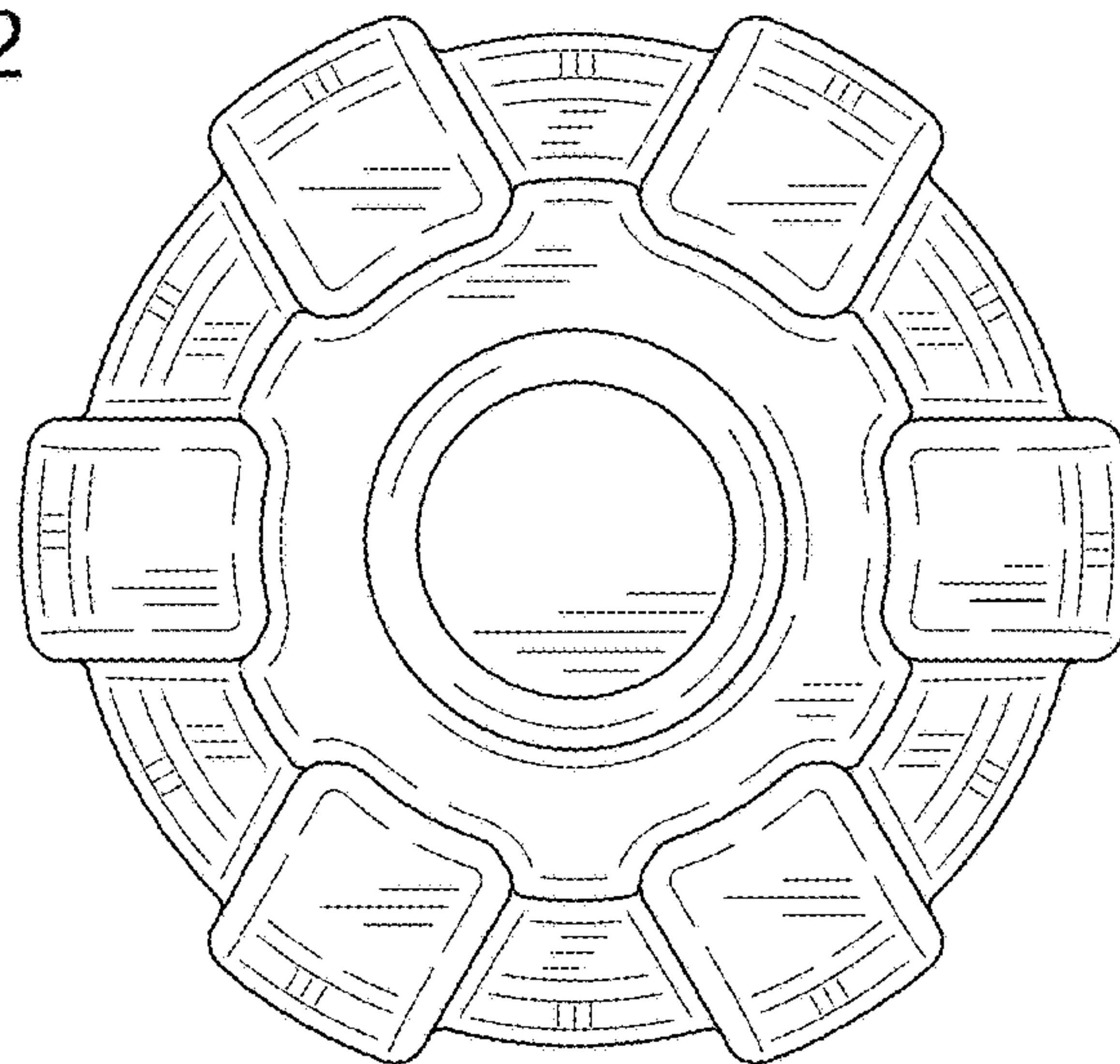


FIG. 3

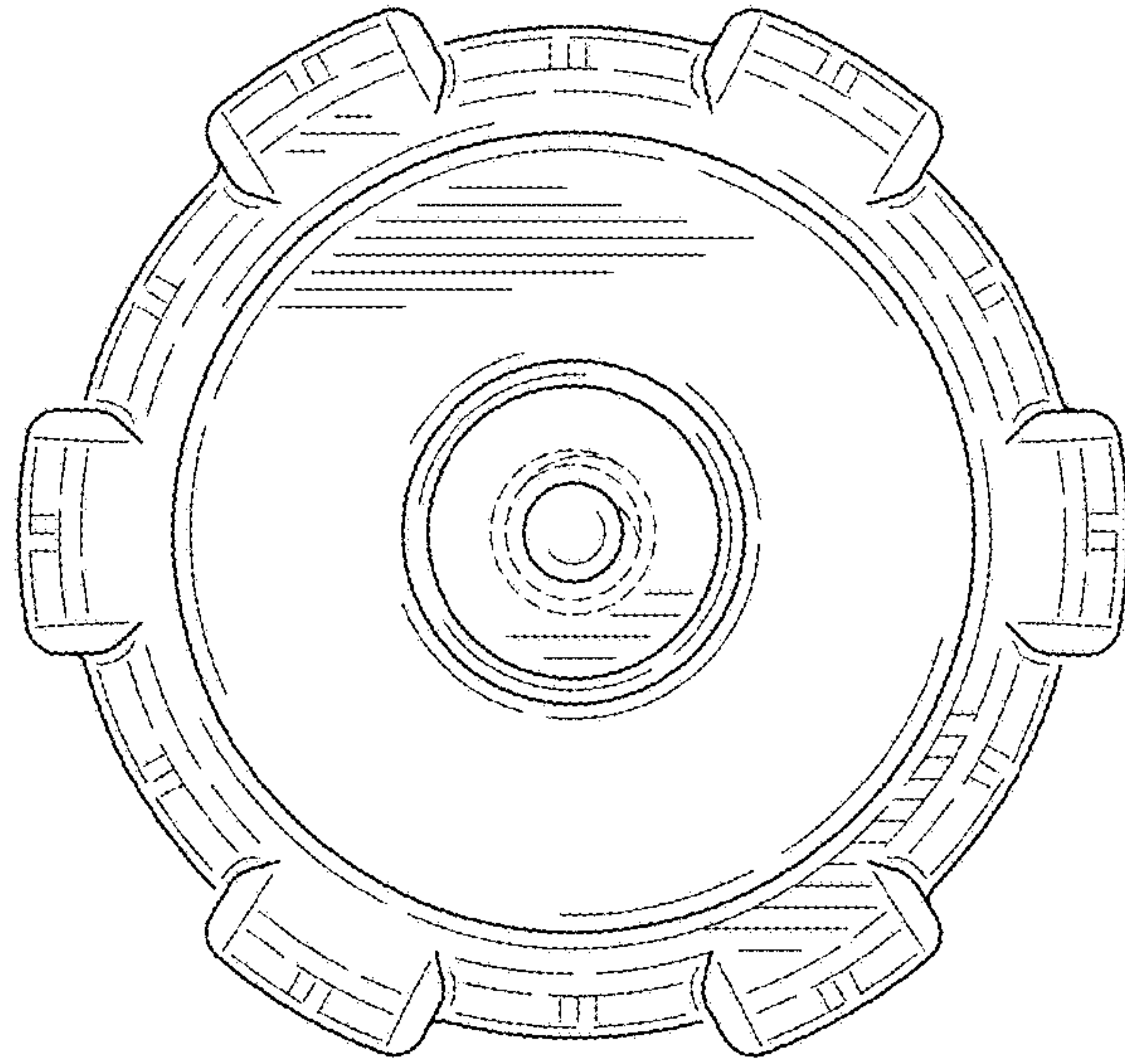


FIG. 4

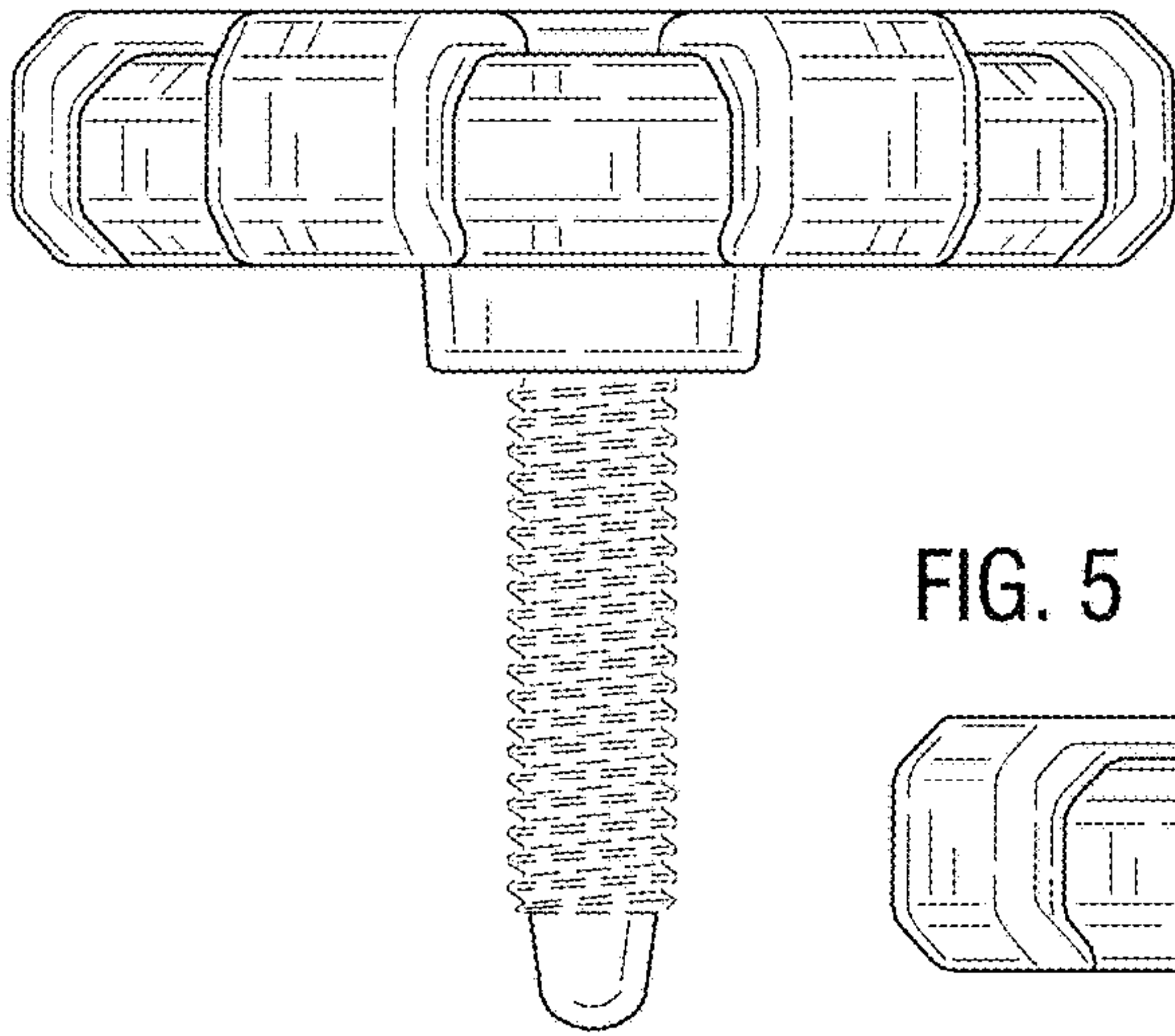


FIG. 5

