



US00D837627S

(12) **United States Design Patent** (10) **Patent No.:** **US D837,627 S**  
**Poidatz et al.** (45) **Date of Patent:** **\*\* \*Jan. 8, 2019**

(54) **DRAWER HANDLE**  
(71) Applicant: **DASSAULT AVIATION**, Paris (FR)  
(72) Inventors: **Matthieu Poidatz**, Suresnes (FR);  
**Agnès Gervais**, Paris (FR)  
(73) Assignee: **DASSAULT AVIATION**, Paris (FR)  
(\*) Notice: This patent is subject to a terminal disclaimer.  
(\*\*) Term: **15 Years**  
(21) Appl. No.: **29/603,963**  
(22) Filed: **May 15, 2017**  
(30) **Foreign Application Priority Data**

Nov. 14, 2016 (EM) ..... 003463108-0003

(51) **LOC (11) Cl.** ..... **08-06**  
(52) **U.S. Cl.**  
USPC ..... **D8/302**  
(58) **Field of Classification Search**  
USPC ..... D8/300, 301, 302, 306, 313, 331;  
D23/254  
CPC ... Y10T 292/57; Y10T 16/44; Y10T 70/5155;  
Y10T 70/5832; Y10T 292/1047; Y10T  
16/458; Y10T 70/5757; Y10T 16/476;  
Y10T 70/8541; Y10T 70/5765; Y10T  
74/20732; Y10T 16/473; Y10T 292/1089;  
Y10T 292/865; Y10T 70/7305; Y10T  
292/097; Y10T 292/0938; Y10T 16/509;  
Y10T 292/0834; Y10T 292/1014; Y10T  
292/0959; Y10T 292/308; Y10T 70/489;  
Y10T 74/20876; Y10T 70/80; Y10T  
74/20828; Y10T 70/8459; Y10T  
74/20864; Y10T 292/1064  
See application file for complete search history.

(56) **References Cited**  
**U.S. PATENT DOCUMENTS**

2,668,076 A \* 2/1954 Troche ..... E05C 1/145  
292/336.3  
D218,672 S \* 9/1970 Lauper ..... D8/302

D230,132 S \* 1/1974 Pastva, Jr. .... D8/302  
D265,965 S \* 8/1982 Davis ..... D8/302  
5,439,260 A \* 8/1995 Weinerman ..... E05B 5/00  
292/216  
D390,086 S \* 2/1998 Weinerman ..... D8/300  
D436,832 S \* 1/2001 Matsuo ..... D8/313  
D458,110 S \* 6/2002 Landeros ..... D8/331  
6,474,703 B1 \* 11/2002 Berg ..... E05C 1/145  
292/200  
D488,991 S \* 4/2004 Bertani ..... E05B 1/0015  
D8/313  
D502,642 S \* 3/2005 Misner ..... D8/302  
D504,803 S \* 5/2005 Misner ..... D8/302  
D519,823 S \* 5/2006 Pickar ..... D8/331  
D570,192 S \* 6/2008 Beckner ..... D8/331  
D614,016 S \* 4/2010 Zenner ..... D8/331  
D644,500 S \* 9/2011 Baldwin ..... D8/331  
D674,678 S \* 1/2013 Pickar ..... D8/302

(Continued)

*Primary Examiner* — Lauren R Calve

(74) *Attorney, Agent, or Firm* — Davidson, Davidson & Kappel, LLC

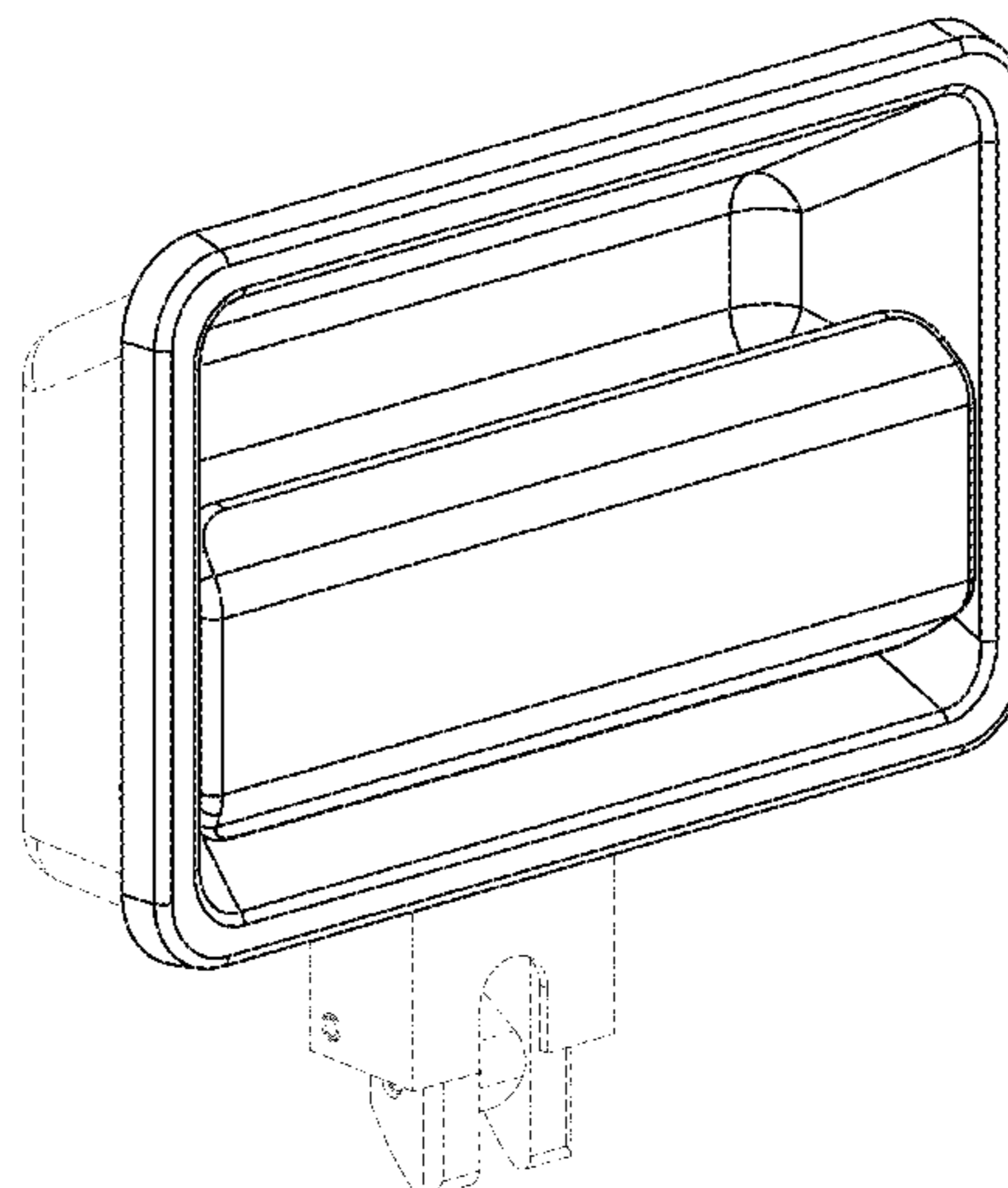
(57) **CLAIM**

The ornamental design for a drawer handle, as shown and described.

**DESCRIPTION**

FIG. 1 is a front perspective view of a drawer handle;  
FIG. 2 is a front elevation view thereof;  
FIG. 3 is a bottom plan view thereof;  
FIG. 4 is a top plan view thereof;  
FIG. 5 is a left side elevation view thereof; and,  
FIG. 6 is a right side elevation view thereof.  
The broken line representations in the figures are for illustration only and form no part of the claimed design.

**1 Claim, 6 Drawing Sheets**



(56)

**References Cited**

U.S. PATENT DOCUMENTS

8,393,187 B2 *	3/2013	Bacon .....	E05B 5/00 292/201
D694,087 S *	11/2013	Burns .....	D8/302
D701,742 S *	4/2014	Rechberg .....	D8/331
D749,396 S *	2/2016	Alfredsson .....	D8/331
9,399,879 B2 *	7/2016	Burns .....	E05B 85/18
D792,186 S *	7/2017	Key .....	D8/302

\* cited by examiner

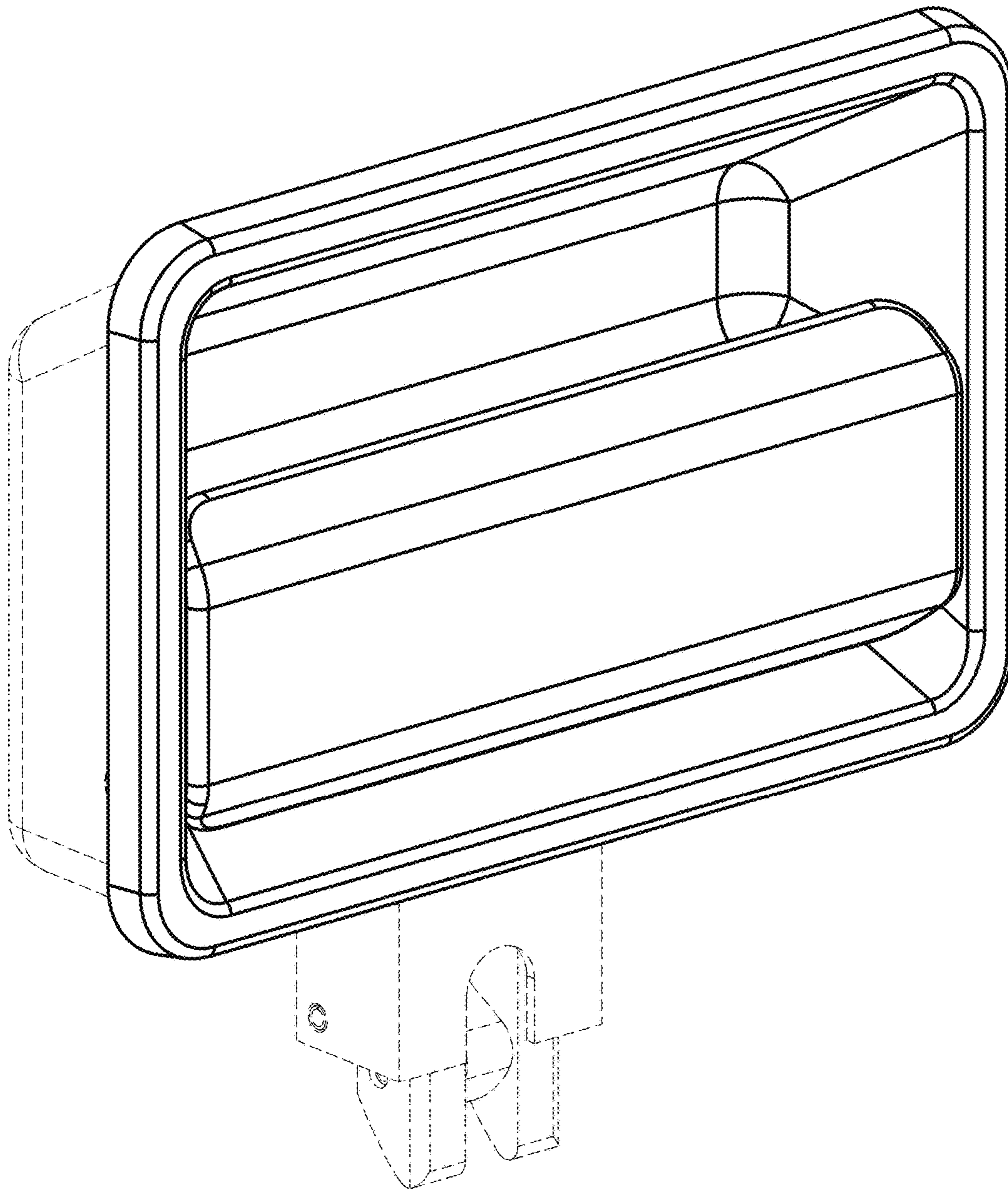


Fig. 1

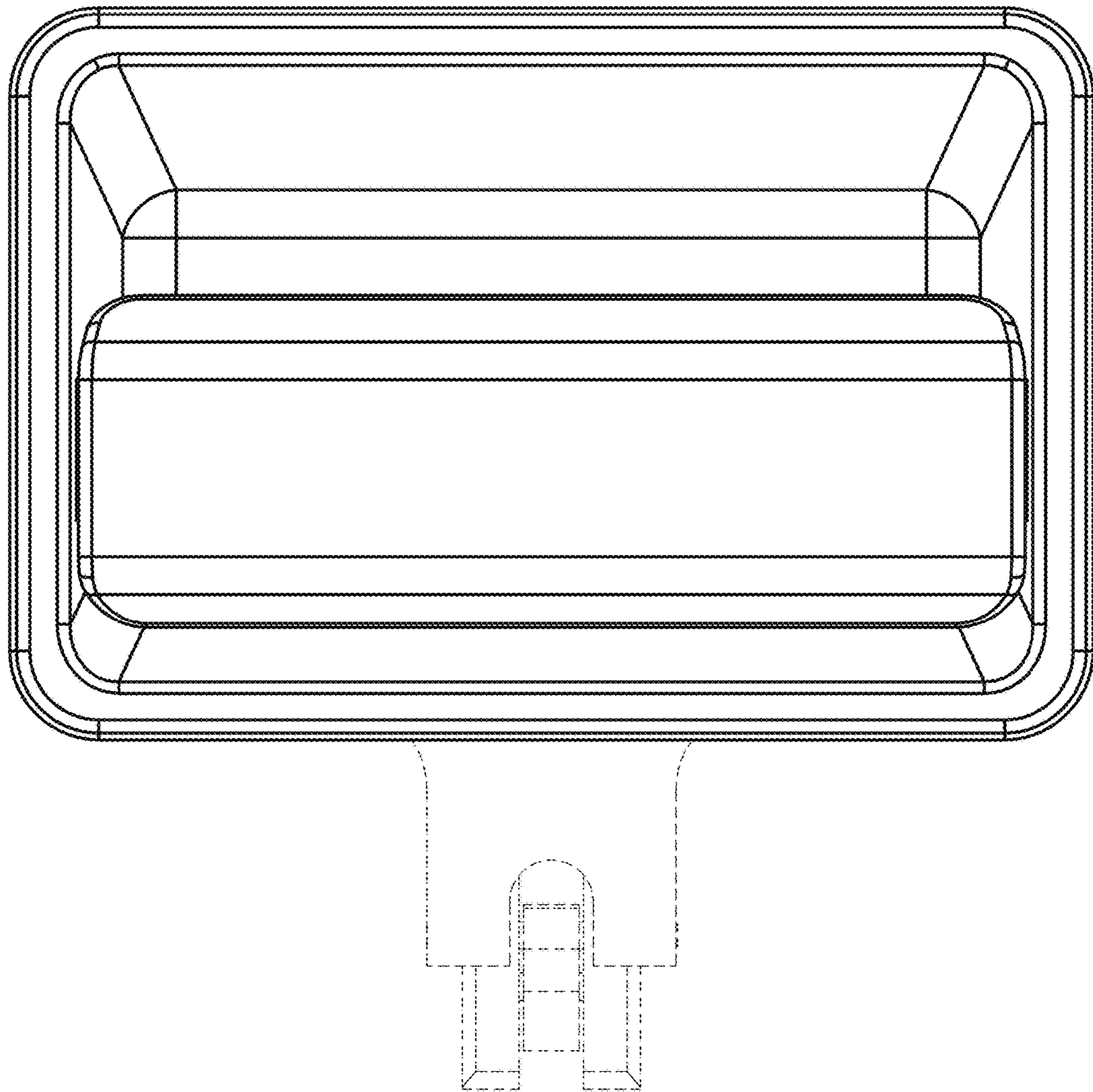


Fig. 2

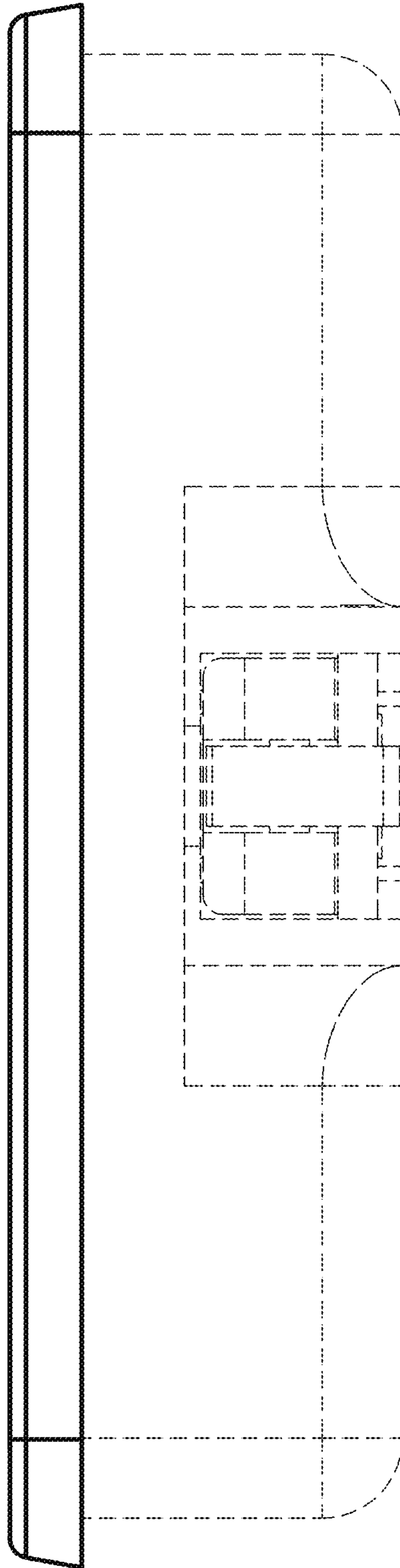


Fig. 3



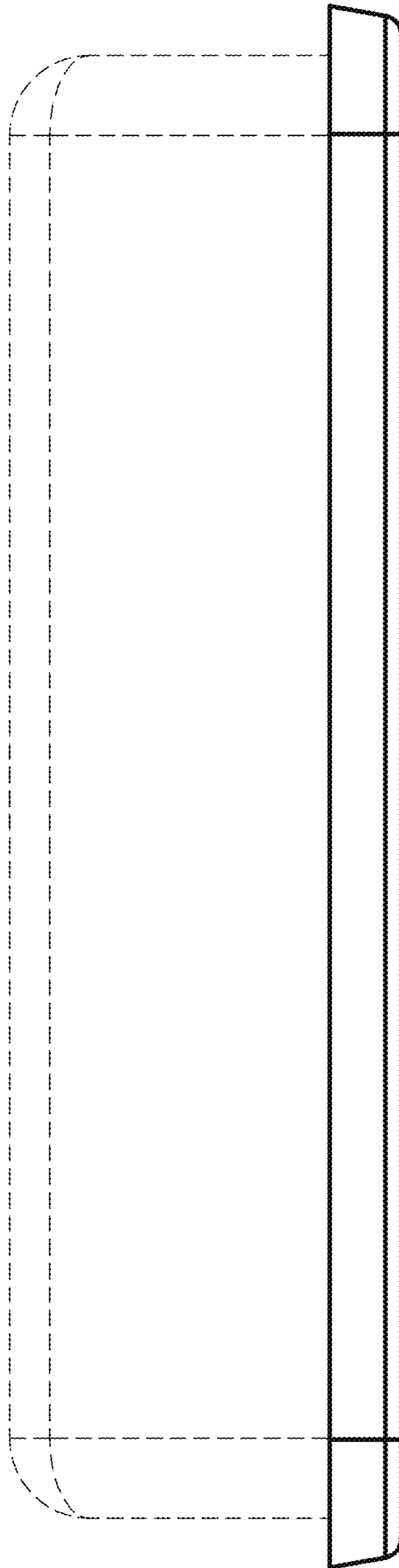


Fig. 4

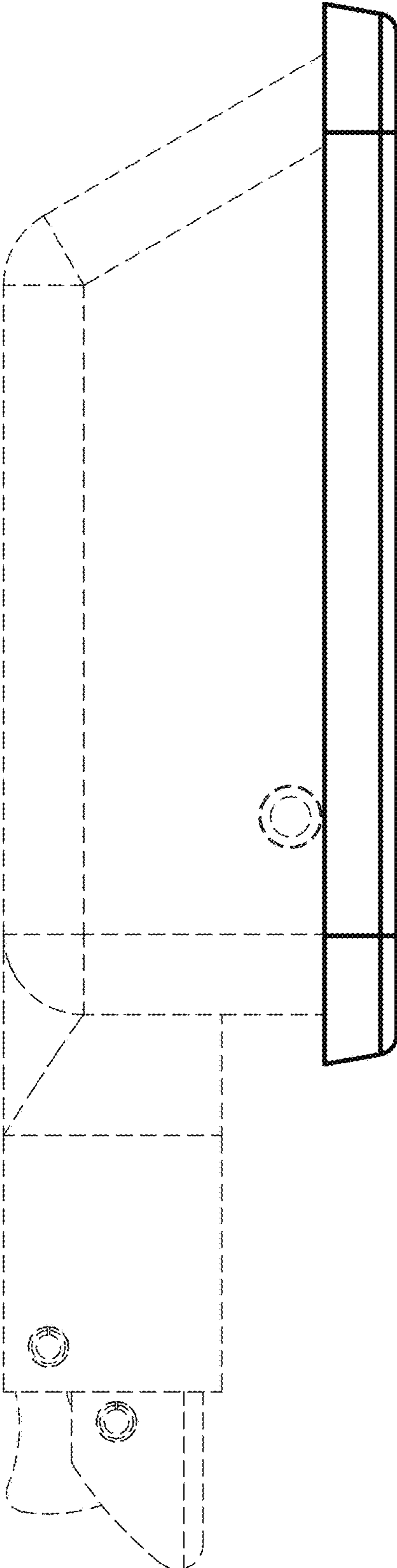


Fig. 5

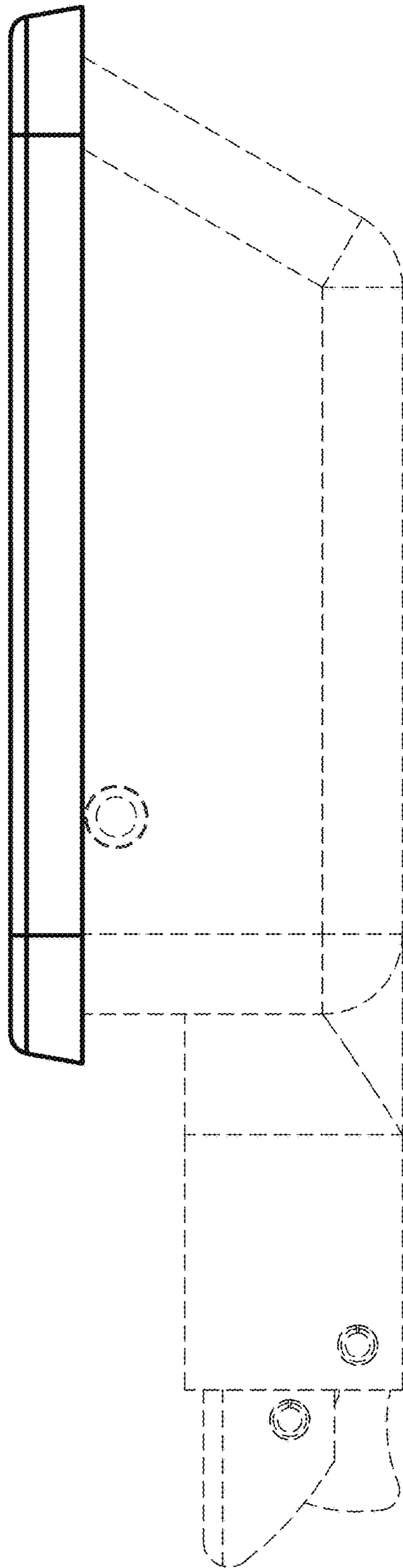


Fig. 6