



US00D837626S

(12) **United States Design Patent** (10) **Patent No.:** **US D837,626 S**  
**Rohrbach** (45) **Date of Patent:** **\*\* Jan. 8, 2019**

- (54) **SAFETY CUTTER**
- (71) Applicant: **MARTOR KG**, Solingen (DE)
- (72) Inventor: **Martin Rohrbach**, Horn (DE)
- (73) Assignee: **Martor KG**, Solingen (DE)
- (\*\*) Term: **15 Years**
- (21) Appl. No.: **29/551,029**
- (22) Filed: **Jan. 8, 2016**

**Related U.S. Application Data**

- (63) Continuation-in-part of application No. 29/443,624, filed on Jan. 18, 2013.

**Foreign Application Priority Data**

Jul. 18, 2012 (EP) ..... 00207588700010024

- (51) **LOC (11) Cl.** ..... **08-03**
- (52) **U.S. Cl.**  
USPC ..... **D8/98**
- (58) **Field of Classification Search**  
USPC ..... D8/14, 51, 98, 99, 107; 30/280, 294,  
30/286, 287, 314, 315, 316, 317  
CPC ..... B26B 3/00; B26B 3/08; B26B 27/005;  
B26B 27/007; B26B 1/08  
See application file for complete search history.

(56) **References Cited**

**U.S. PATENT DOCUMENTS**

3,673,687 A	7/1972	Phillips et al.
4,134,206 A	1/1979	Beermann
D305,096 S	12/1989	Tench et al.
D320,150 S	9/1991	Huang
D323,967 S	2/1992	Talbot
D324,475 S	3/1992	Staubitz et al.
5,269,063 A	12/1993	Okada
5,282,316 A	2/1994	Anderson
D354,900 S	1/1995	Hirai
D386,959 S	12/1997	Okada

5,737,842 A	4/1998	Freedman
D398,829 S	9/1998	Okada
D399,114 S	10/1998	Okada
D401,492 S	11/1998	Joseph, Jr.
D508,390 S	8/2005	Trbovich, Jr.

(Continued)

**OTHER PUBLICATIONS**

Office Action dated Jul. 17, 2014, from U.S. Appl. No. 29/443,624 (8 pages).

(Continued)

*Primary Examiner* — Philip S Hyder

(74) *Attorney, Agent, or Firm* — Kilpatrick Townsend & Stockton LLP

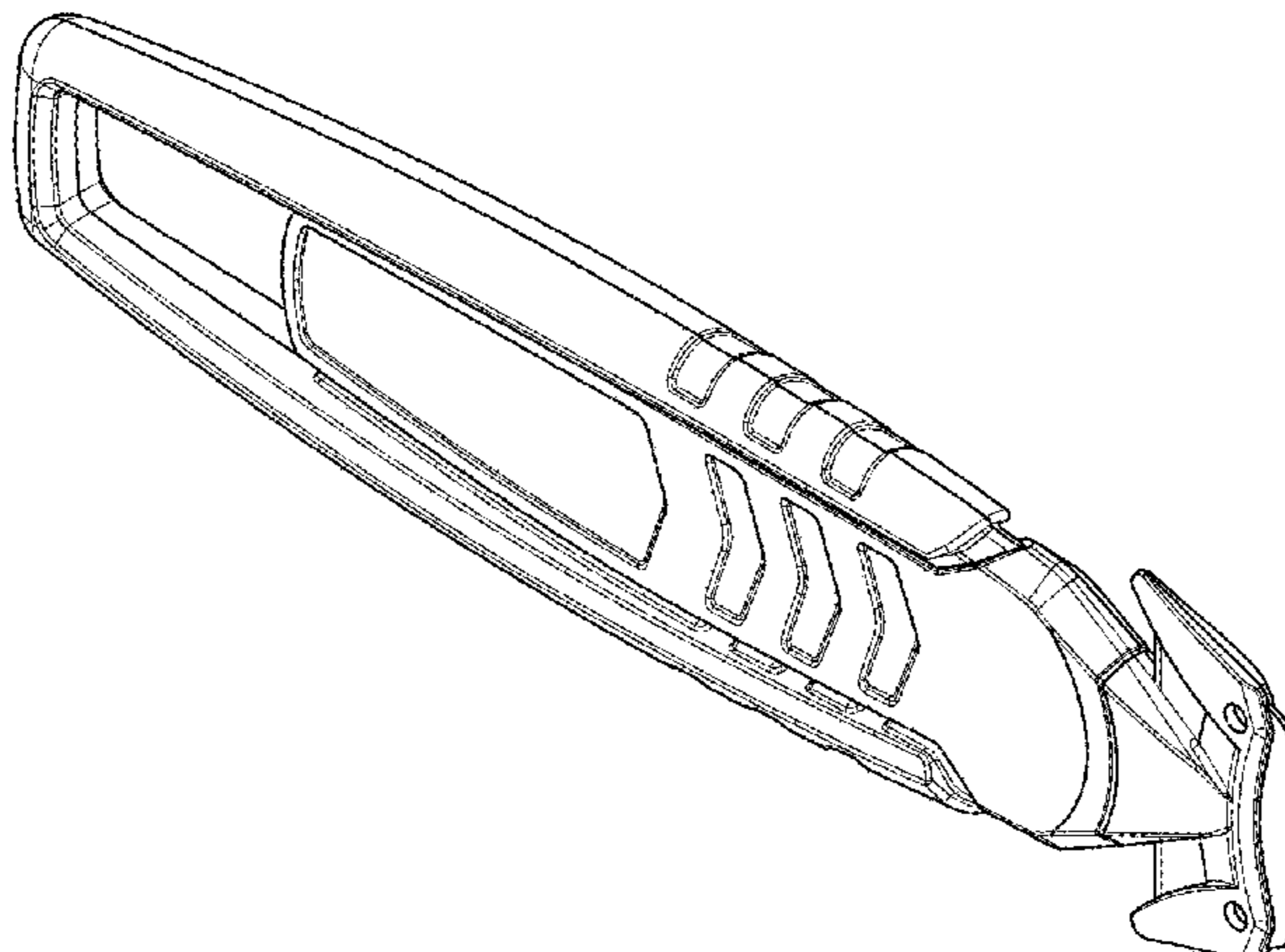
(57) **CLAIM**

The ornamental design for a safety cutter, as shown and described.

**DESCRIPTION**

FIG. 1 is a top plan view of the safety cutter showing my new design;  
 FIG. 2 is a bottom plan view thereof;  
 FIG. 3 is a left side elevational view thereof;  
 FIG. 4 is a right side elevational view thereof, mirroring the left side elevational view;  
 FIG. 5 is a first top perspective view thereof;  
 FIG. 6 is a first bottom perspective view thereof;  
 FIG. 7 is a second bottom perspective view thereof;  
 FIG. 8 is a second top perspective view thereof;  
 FIG. 9 is a further perspective view thereof;  
 FIG. 10 is a further perspective view thereof;  
 FIG. 11 is a front, or head-end, elevational view thereof;  
 FIG. 12 is a rear, or tail-end, elevational view thereof;  
 FIG. 13 is a further perspective view thereof;  
 FIG. 14 is a further perspective view thereof;  
 FIG. 15 is a further perspective view thereof; and,  
 FIG. 16 is a further perspective view thereof.

**1 Claim, 8 Drawing Sheets**



(56)

**References Cited**

U.S. PATENT DOCUMENTS

D527,604 S	9/2006	Kempker et al.
D567,622 S	4/2008	Takamasa
D573,436 S	7/2008	Wu
D575,613 S	8/2008	Jennings
D633,616 S	3/2011	Lafauci et al.
D636,248 S	4/2011	Still
D649,001 S	11/2011	Still
8,069,571 B2	12/2011	Chung et al.
D660,674 S	5/2012	Still
D673,440 S	1/2013	Kempker et al.
D682,065 S	5/2013	Gringer et al.
D701,741 S	4/2014	Gringer et al.
D714,611 S	10/2014	Yu Chen
D714,612 S	10/2014	Gropl et al.
D724,409 S	3/2015	Segler
2006/0016306 A1	1/2006	Conde

OTHER PUBLICATIONS

Final Office Action dated Feb. 20, 2015, from U.S. Appl. No. 29/443,624 (7 pages).

Office Action dated Jul. 9, 2015, from U.S. Appl. No. 29/443,624 (8 pages).

Final Office Action dated Nov. 10, 2015 from U.S. Appl. No. 29/510,067 (7 pages).

Final Office Action dated Mar. 1, 2016 from U.S. Appl. No. 29/510,067 (9 pages).

Final Office Action dated Aug. 16, 2016 from U.S. Appl. No. 29/510,067 (10 pages).

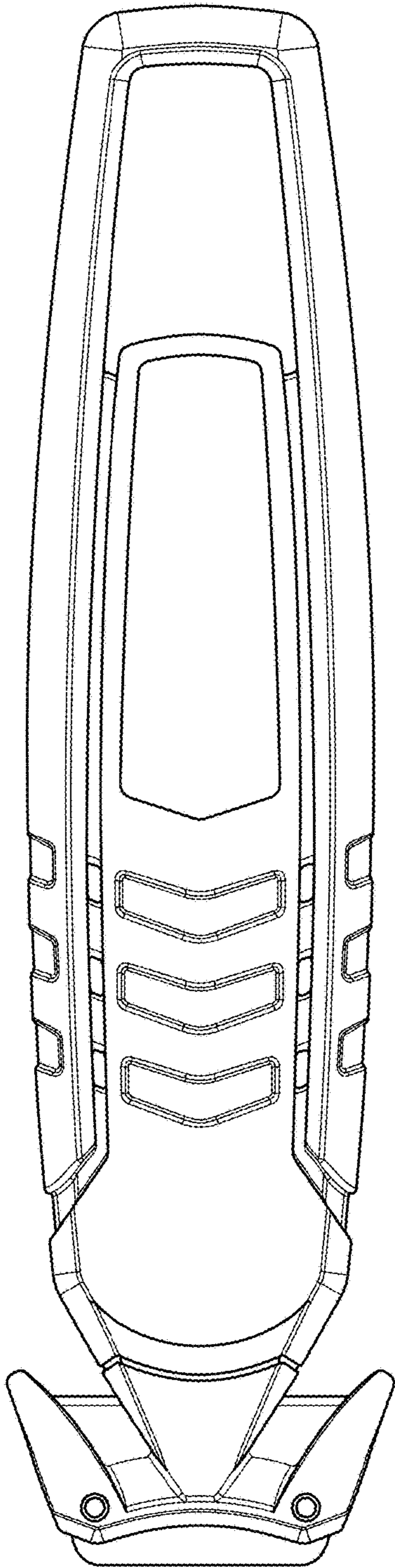


FIG. 1

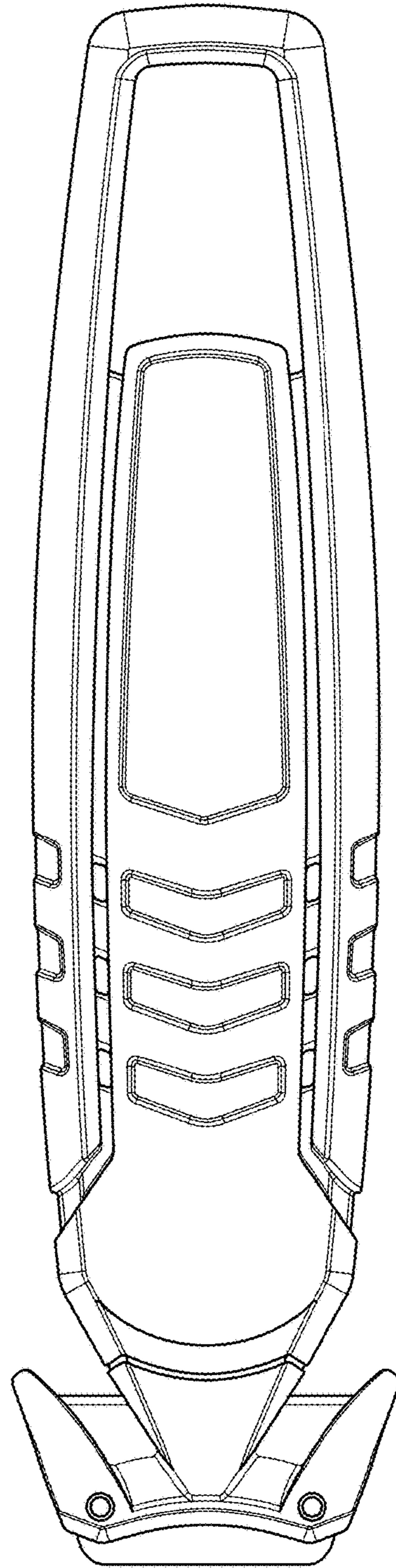


FIG. 2

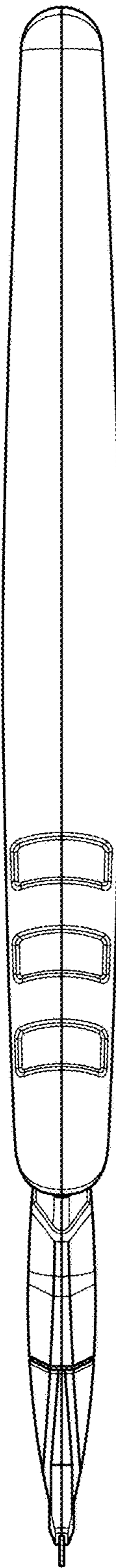


FIG. 3

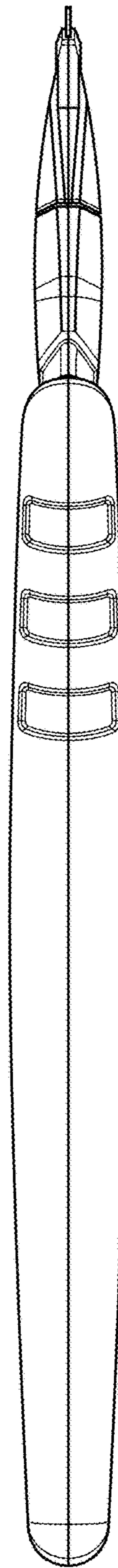


FIG. 4

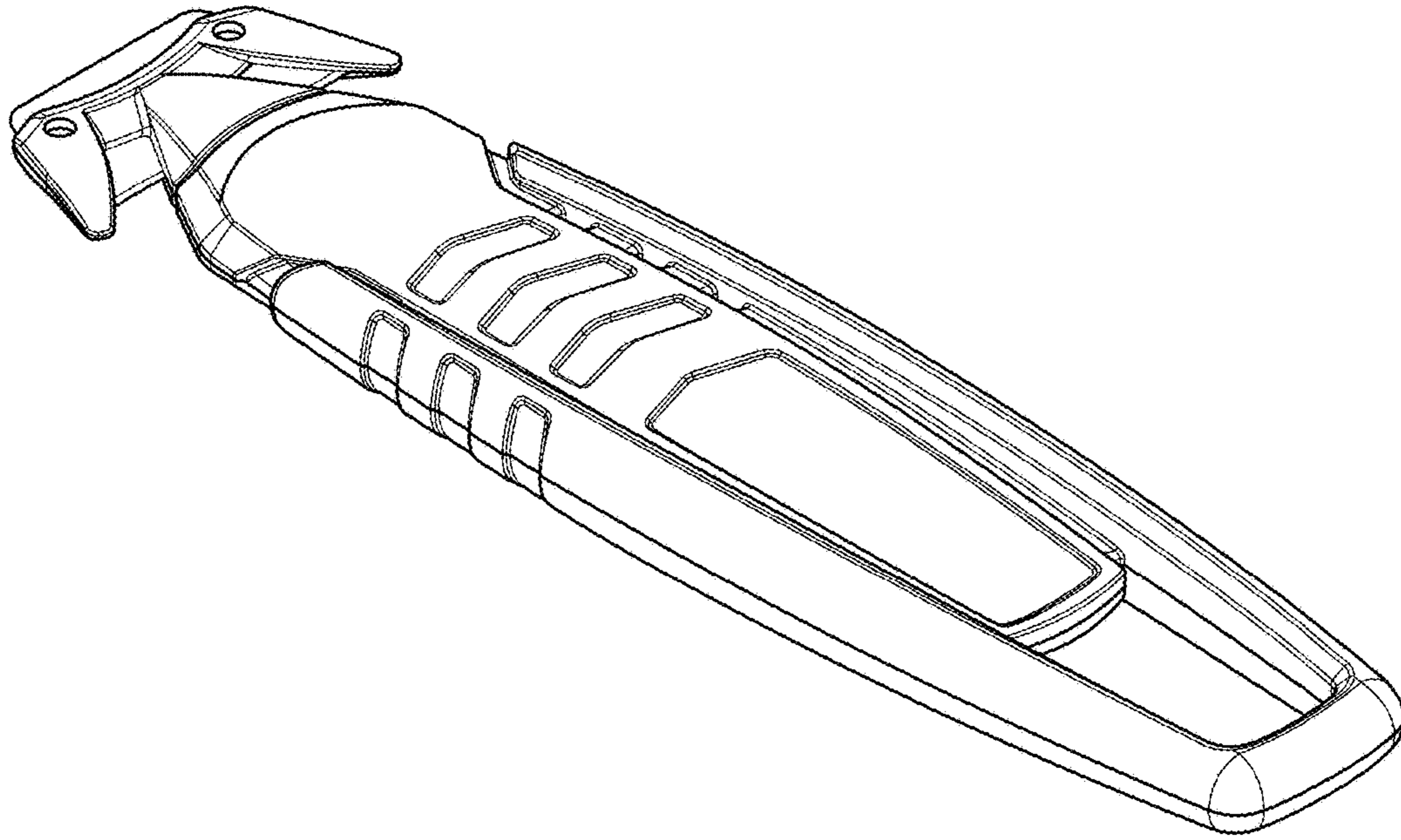


FIG. 5

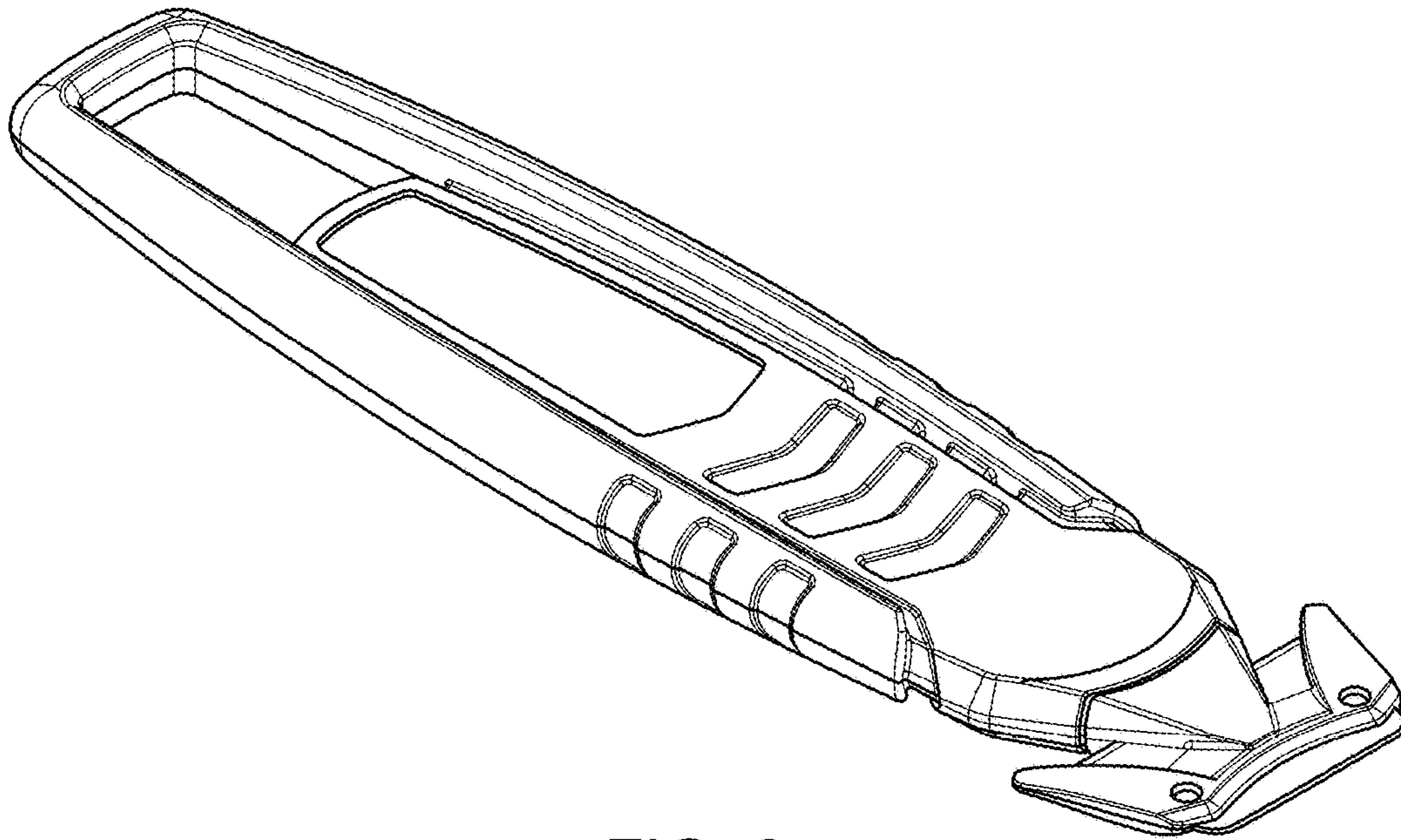


FIG. 6

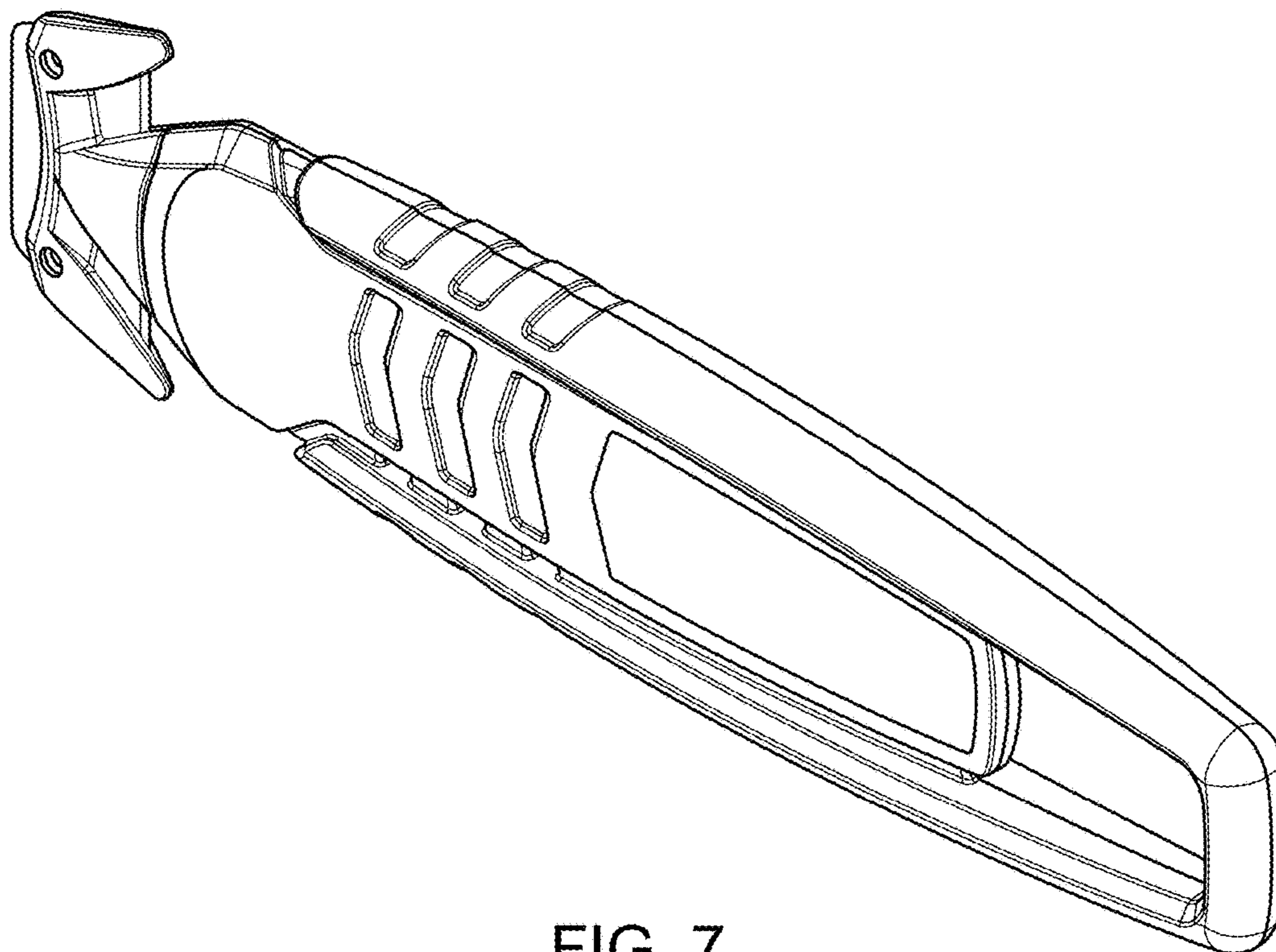


FIG. 7

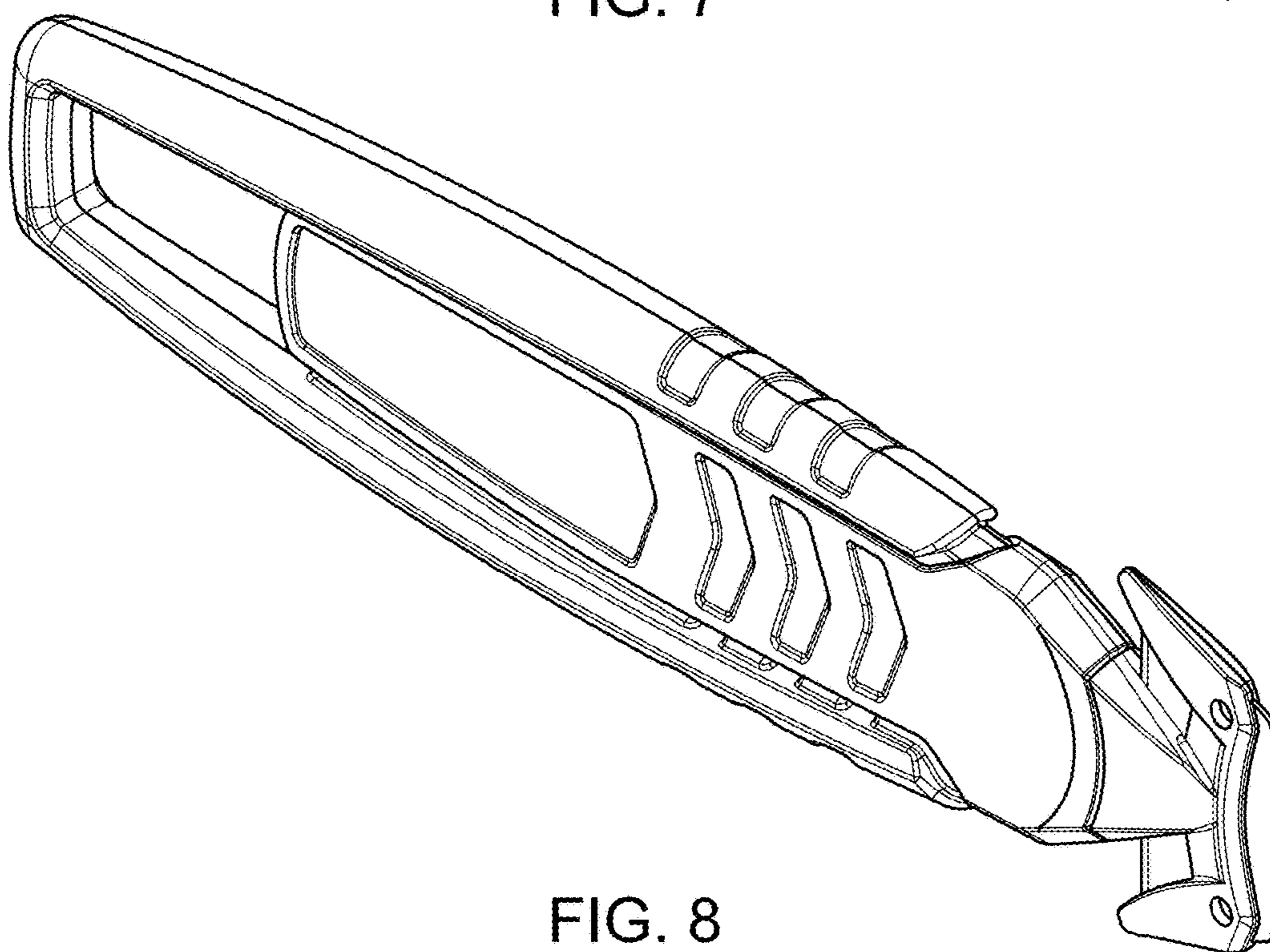


FIG. 8

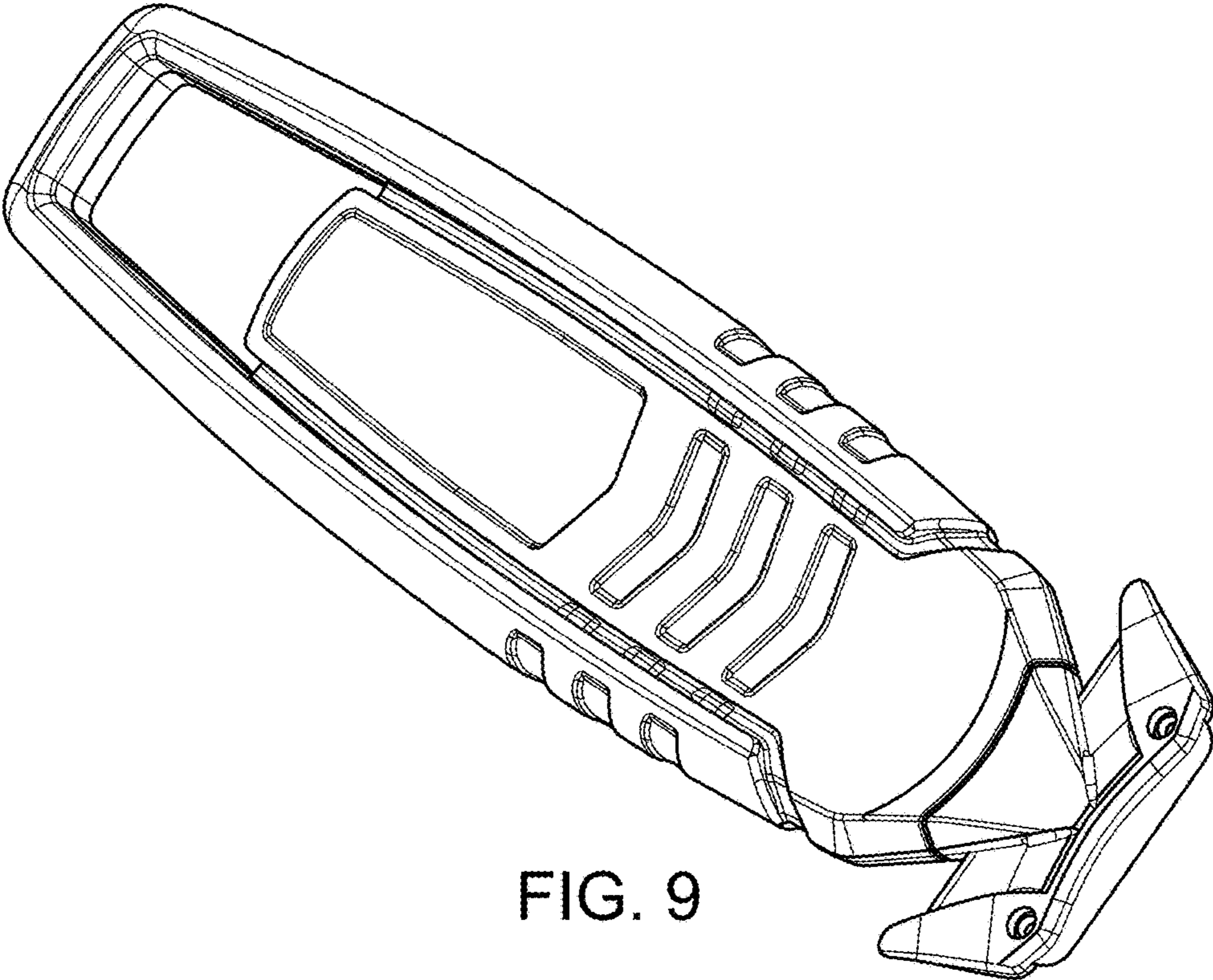


FIG. 9

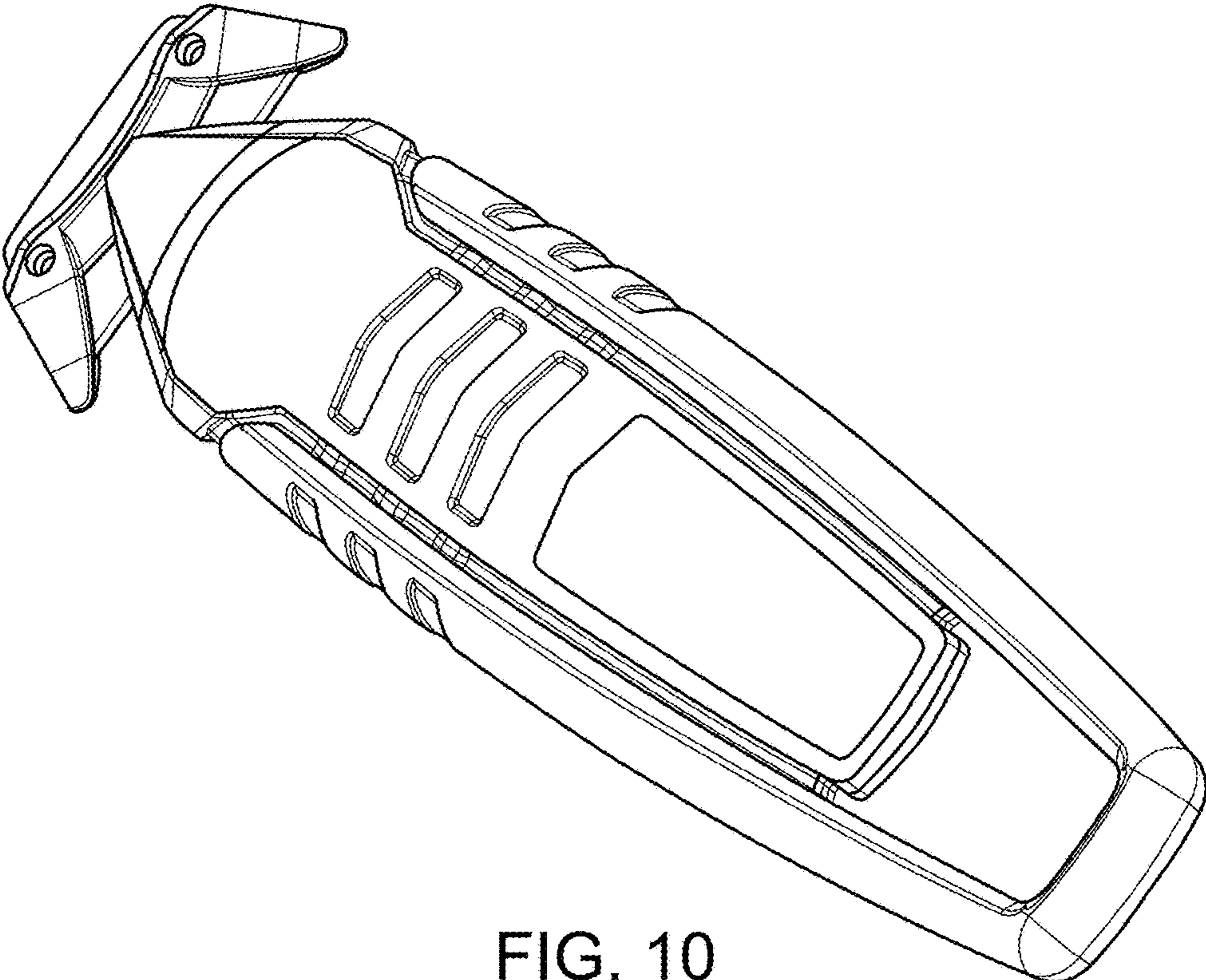


FIG. 10

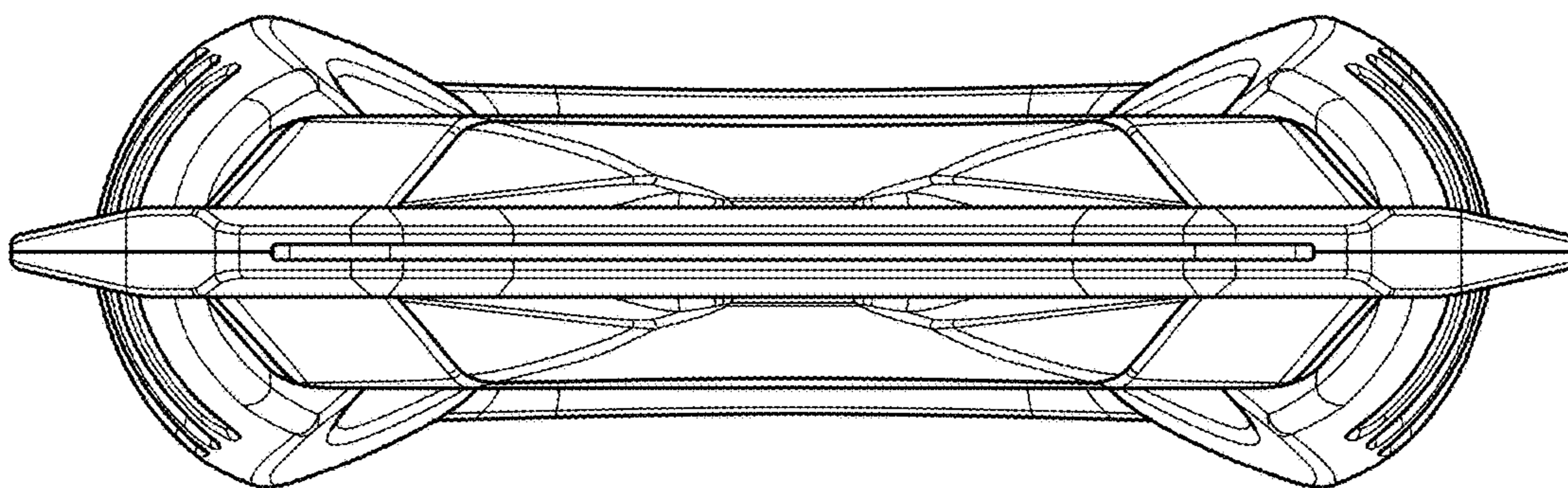


FIG. 11

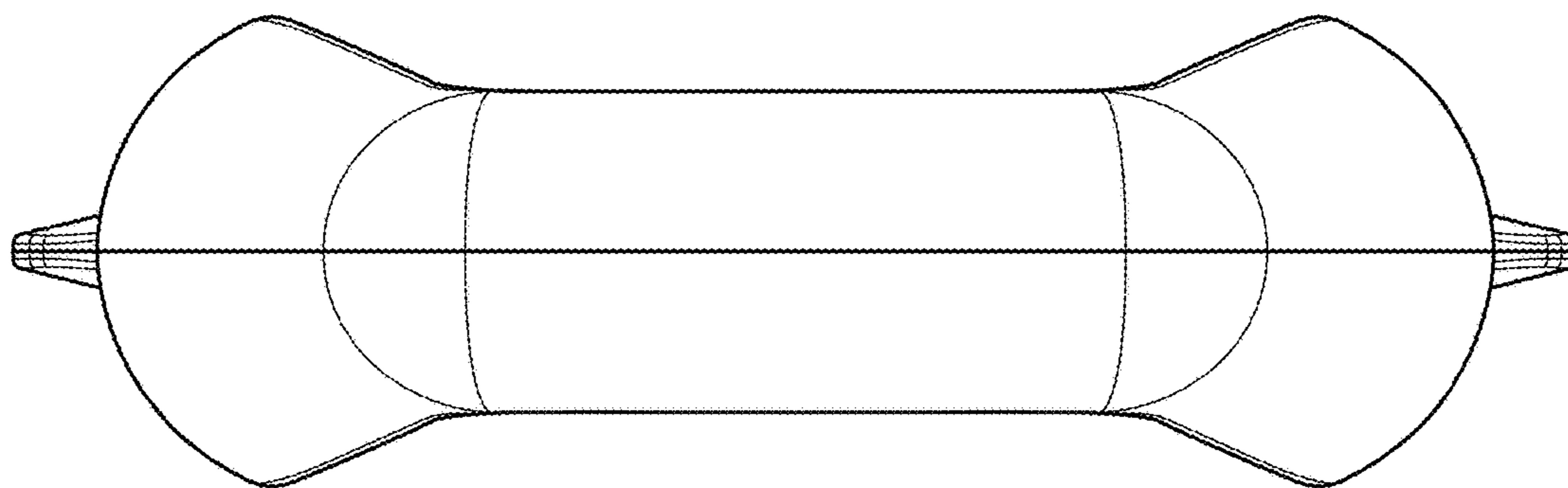


FIG. 12



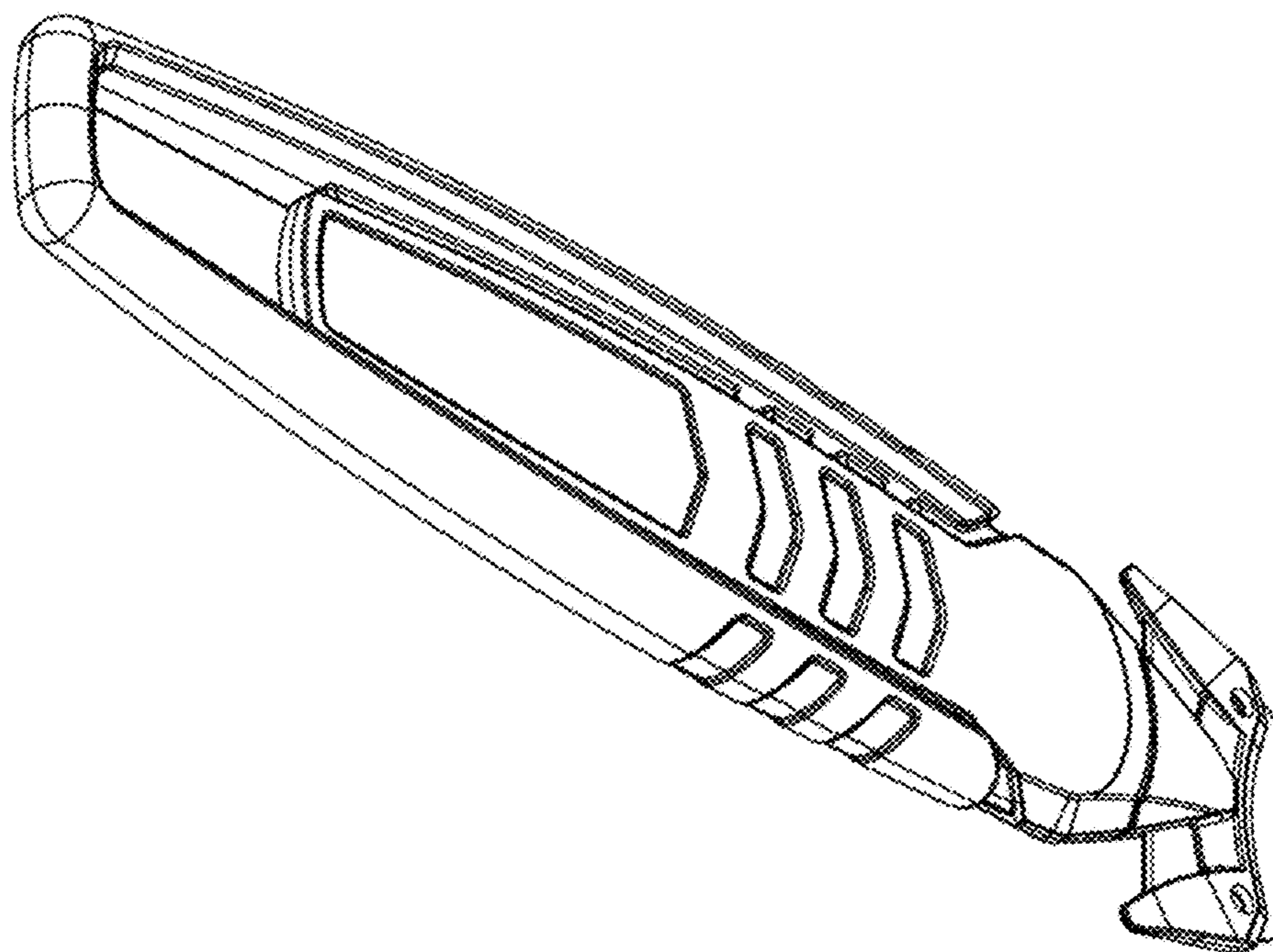


FIG. 13

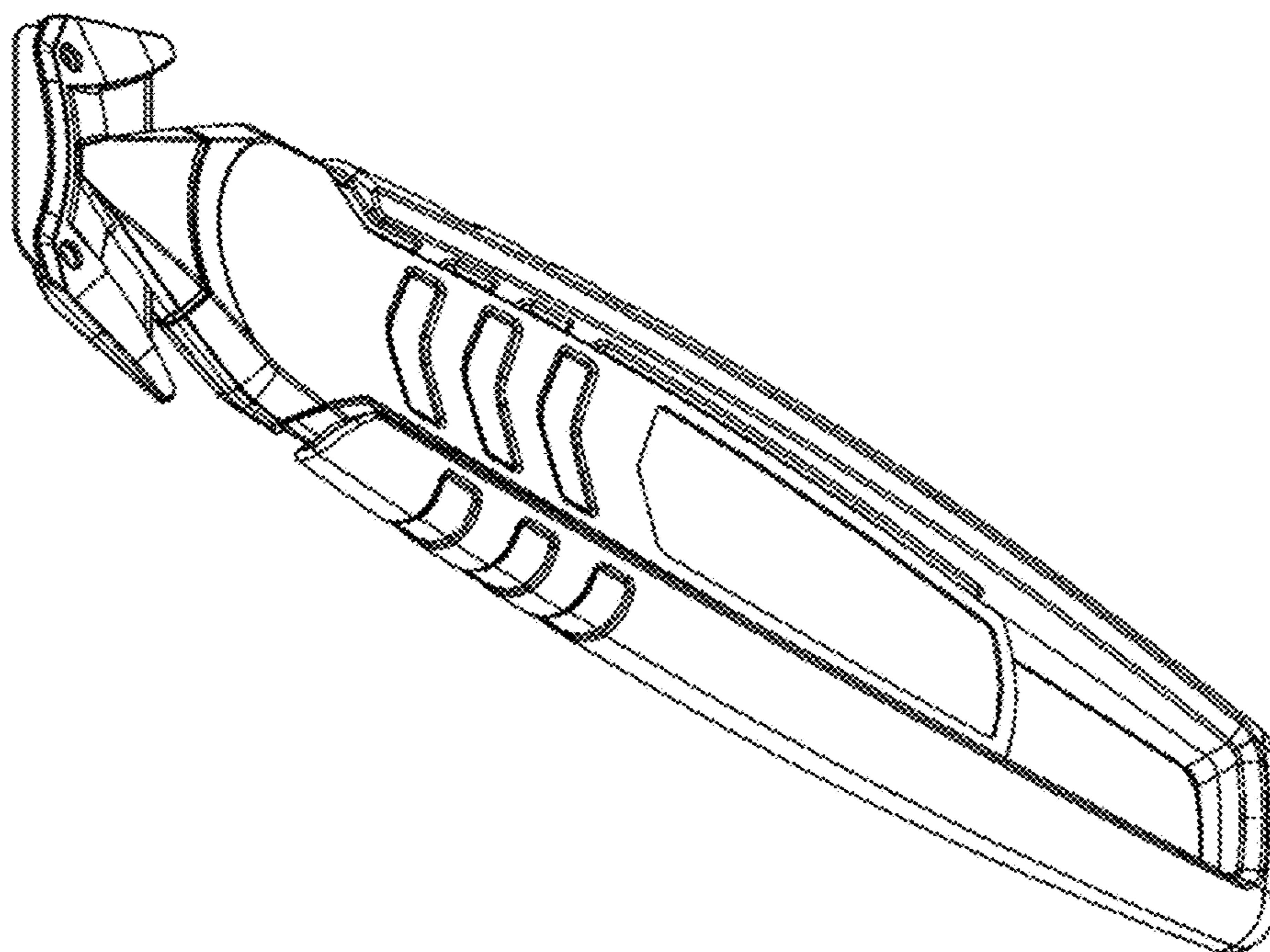


FIG. 14

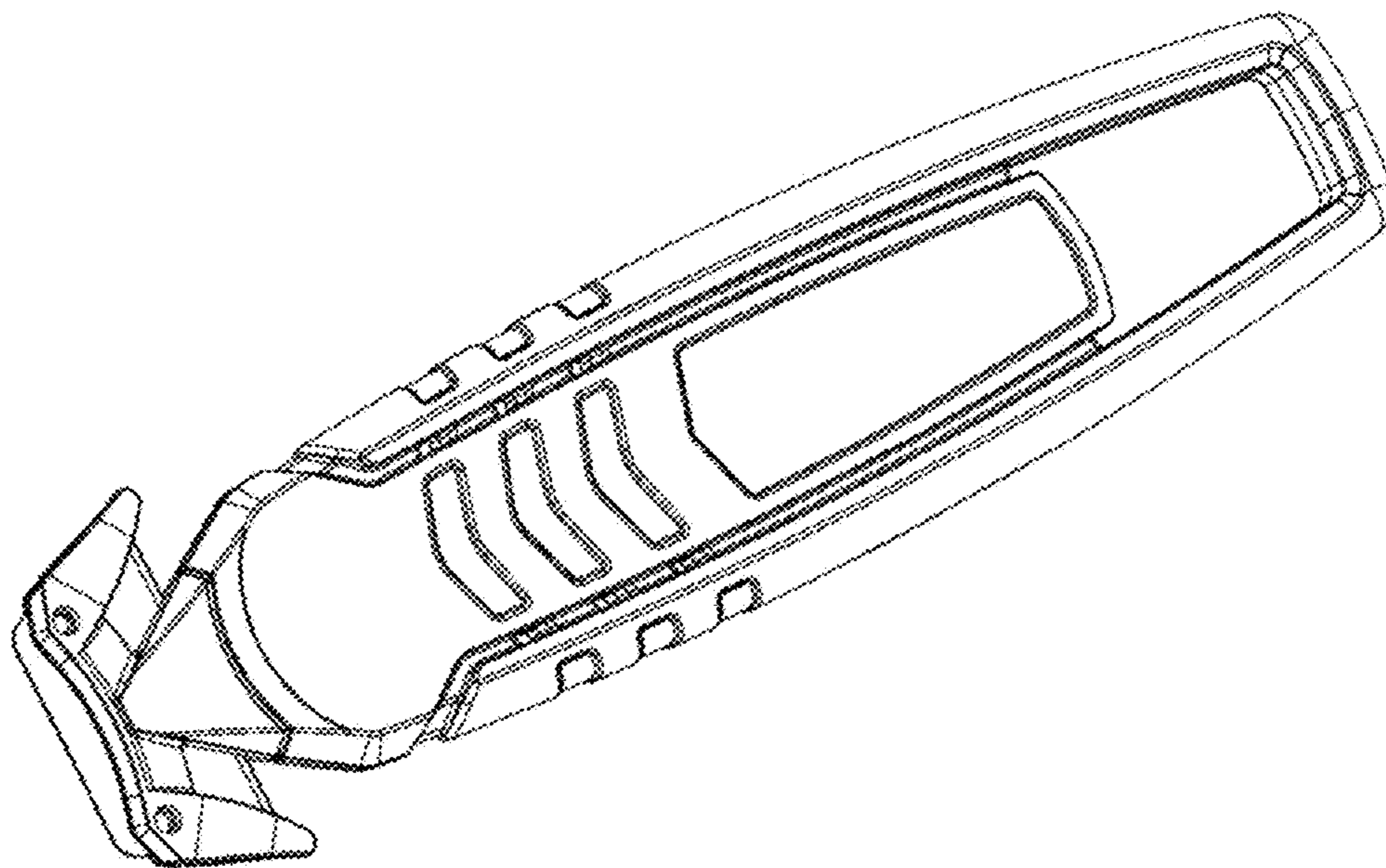


FIG. 15

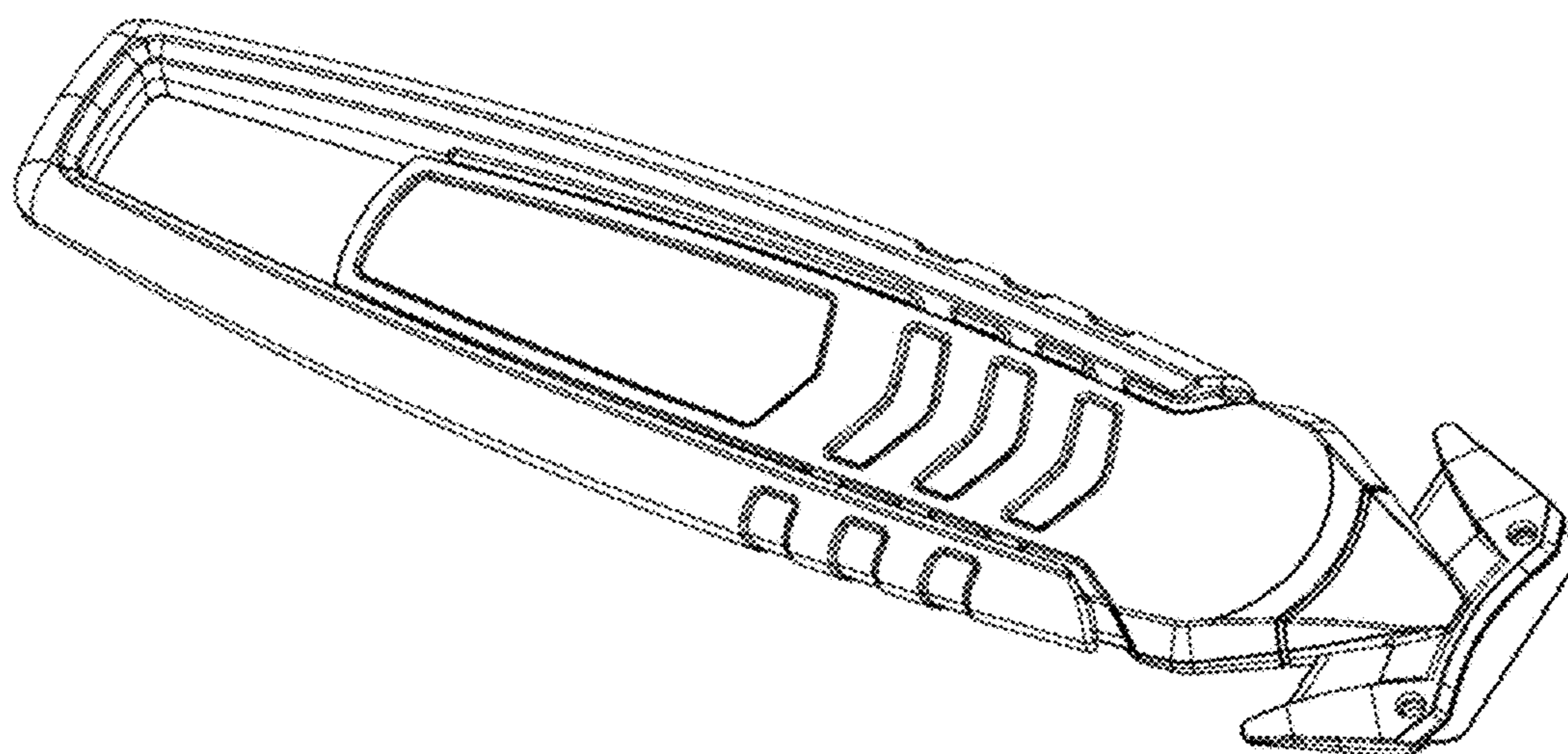


FIG. 16