



US00D837625S

(12) **United States Design Patent**
Cacciabeve

(10) **Patent No.:** **US D837,625 S**
(45) **Date of Patent:** **** Jan. 8, 2019**

(54) **TOOL HOLDER**
(71) Applicant: **Walter R. Tucker Enterprises, Ltd.**,
Deposit, NY (US)
(72) Inventor: **Robert Cacciabeve**, Boonton, NJ (US)
(73) Assignee: **Walter R. Tucker Enterprises, Ltd.**,
Deposit, NY (US)
(**) Term: **15 Years**

D267,762 S * 2/1983 Chase D6/514
4,544,067 A 10/1985 Miller
5,301,822 A 4/1994 Coleman et al.
5,626,244 A * 5/1997 Mesna A47F 5/083
211/60.1
5,655,673 A * 8/1997 Weterrings A47B 81/00
211/74
5,669,516 A 9/1997 Horn
5,743,394 A 4/1998 Martin
5,760,668 A 6/1998 Testa et al.
D413,035 S * 8/1999 Weterrings D6/572
D414,210 S * 9/1999 Davis D19/85
6,006,906 A 12/1999 Winnard

(Continued)

(21) Appl. No.: **29/613,374**

(22) Filed: **Aug. 9, 2017**

(51) **LOC (11) Cl.** **08-05**

(52) **U.S. Cl.**
USPC **D8/71**

(58) **Field of Classification Search**
USPC D6/570, 571, 553, 554, 567, 569, 572,
D6/574, 512; 206/376, 70.6, 60.1;
248/309.1; D8/71, 72, 73, 74, 373, 380,
D8/381
CPC Y10T 409/30952; Y10T 82/2585; Y10T
407/23; B25H 3/04; A45F 2200/0575
See application file for complete search history.

(56) **References Cited**

U.S. PATENT DOCUMENTS

2,591,805 A * 4/1952 Gossett B25H 3/04
211/124
D175,455 S * 8/1955 Bartleman 211/70.6
2,966,992 A 1/1961 Dunkelberger et al.
3,640,039 A 2/1972 McKee et al.
3,827,021 A 7/1974 Phelon
3,986,695 A * 10/1976 Hronas A47F 7/285
211/74
4,049,126 A * 9/1977 Halverson A63B 71/0045
211/104
D261,581 S * 11/1981 Buchanan D22/147
4,305,512 A * 12/1981 Mackenzie A47J 47/16
211/59.2

OTHER PUBLICATIONS

Wrench Rack SAE Holds 13 Pieces, HNE5100, manufactured by
Hansen Global. Date: N/A.

(Continued)

Primary Examiner — David G Muller
Assistant Examiner — Nathan M Johnston
(74) *Attorney, Agent, or Firm* — Breiner & Breiner,
L.L.C.

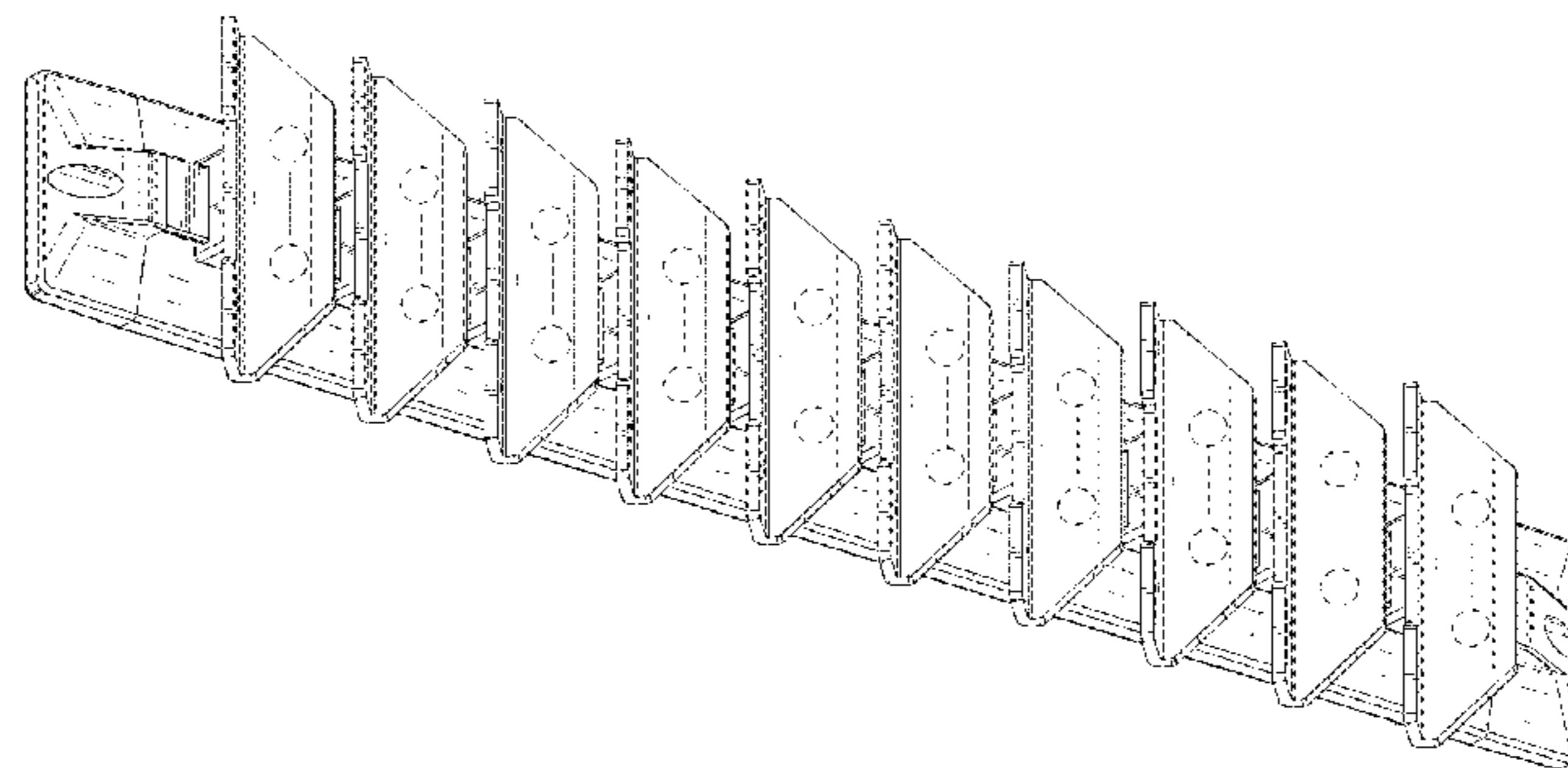
(57) **CLAIM**

The ornamental design for a tool holder, as shown and
described.

DESCRIPTION

FIG. 1 is a perspective view of the tool holder showing my
design;
FIG. 2 is a top plan view thereof;
FIG. 3 is a bottom plan view thereof;
FIG. 4 is a first side elevation view thereof;
FIG. 5 is a second side elevation view thereof;
FIG. 6 is a first end elevation view thereof; and,
FIG. 7 is a second end elevation view thereof.
The broken lines show portions of the design that form no
part of the claimed design.

1 Claim, 5 Drawing Sheets



(56)

References Cited

U.S. PATENT DOCUMENTS

6,047,824 A 4/2000 Winnard
 6,073,766 A 6/2000 Winnard
 D454,749 S * 3/2002 Georgiadis D6/629
 6,431,373 B1 8/2002 Blick
 6,481,583 B1 * 11/2002 Black A47F 5/0815
 211/70.6
 6,499,608 B1 * 12/2002 Sterling A47B 96/027
 211/70.1
 6,591,996 B1 7/2003 Wu
 6,614,337 B1 9/2003 Winnard
 6,637,605 B2 10/2003 Ernst
 6,719,155 B1 4/2004 Chang
 D545,104 S * 6/2007 Sheridan D6/567
 D547,992 S * 8/2007 Belokin D6/574
 D563,710 S * 3/2008 Belokin D6/574
 D572,057 S * 7/2008 Lledo D6/515
 7,950,534 B2 * 5/2011 Kao B25H 3/04
 211/70.6
 D756,684 S * 5/2016 Carr D6/552
 D790,127 S * 6/2017 Verleur D27/183
 D813,578 S * 3/2018 Polvadore D6/682.2
 2004/0050735 A1 3/2004 Coleman, Jr.
 2004/0055917 A1 3/2004 Stern

2006/0118499 A1 * 6/2006 Kao A47F 5/083
 211/70.6
 2006/0234846 A1 10/2006 Tucker
 2010/0133213 A1 * 6/2010 Kao A47F 5/0807
 211/70.6
 2011/0011813 A1 * 1/2011 Kao B25H 3/04
 211/70.6
 2013/0221172 A1 * 8/2013 Owen A47G 25/145
 248/205.3

OTHER PUBLICATIONS

Wrench Rack 15 Piece Pink, PRT3000P, manufactured by Protoco,
 Date: N/A.
 Wrench Rack Holds 7 Pieces Green, SKT1070, manufactured by S
 K Hand Tools, Date: N/A.
 Wrench Rack For Fan Clutch Wrenches, SCH62000, manufactured
 by Schley Products, Inc., Date: N/A.
 Wrench Rac Holds Up to 24 Wrenches, Item Nos. WR2400 and
 WR2400B, www.ezred.com, Date: N/A.
 Wrench Rac 15 Piece Magnetic Wrench Organizer, Holds Up to 15
 Wrenches, Item Nos. WR1500 and WR1500B, www.ezred.com,
 Date: N/A.

* cited by examiner

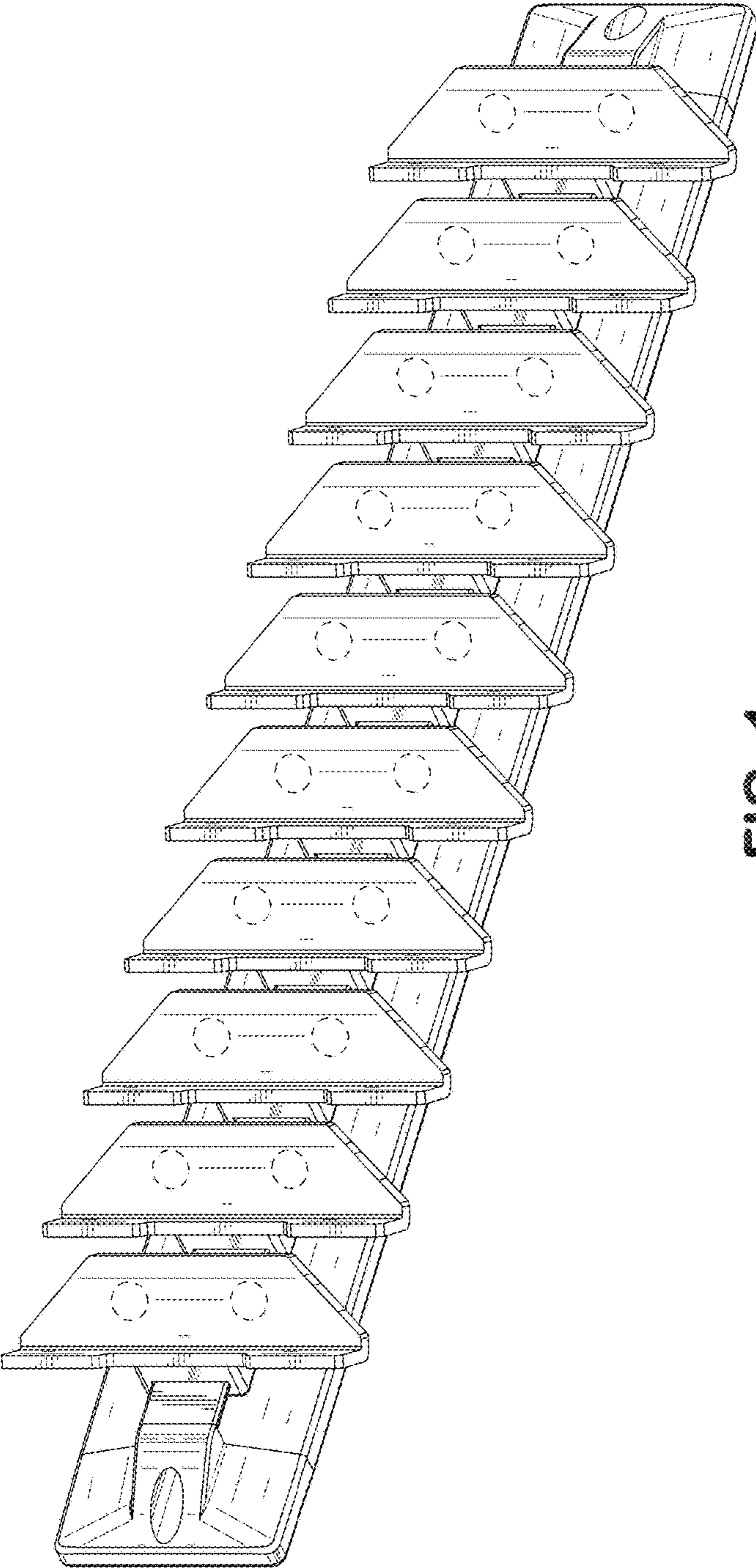


FIG. 1

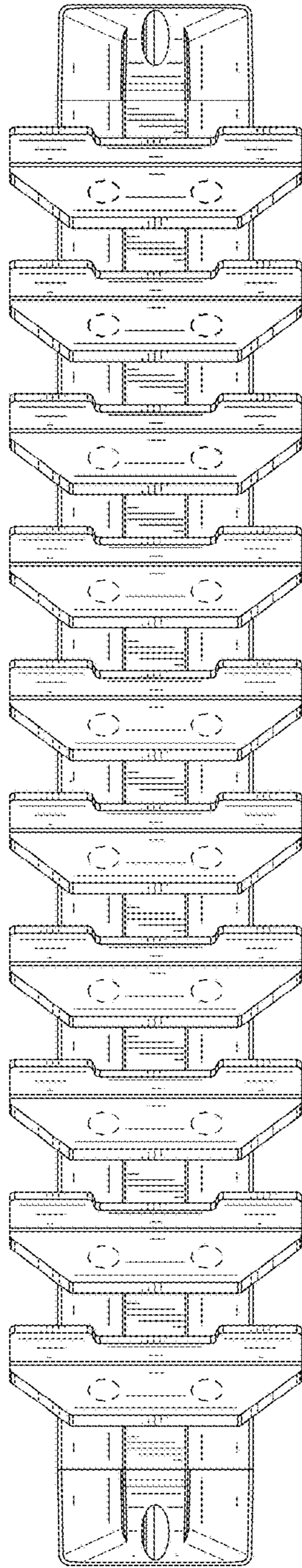


FIG. 2

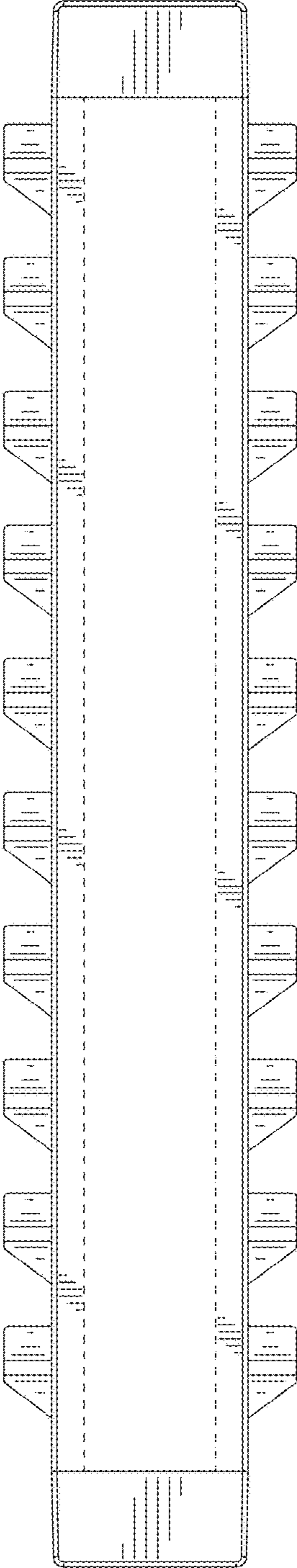


FIG. 3

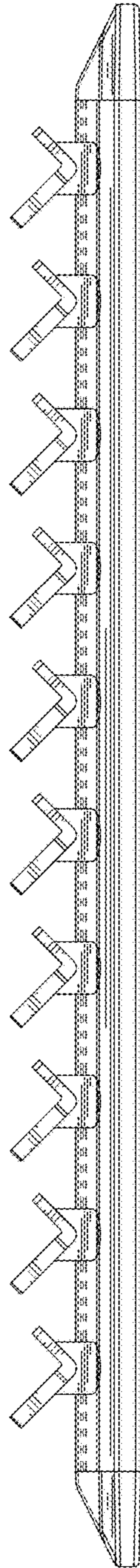


FIG. 4

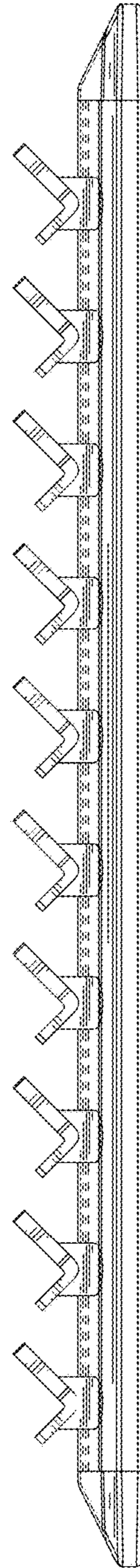


FIG. 5

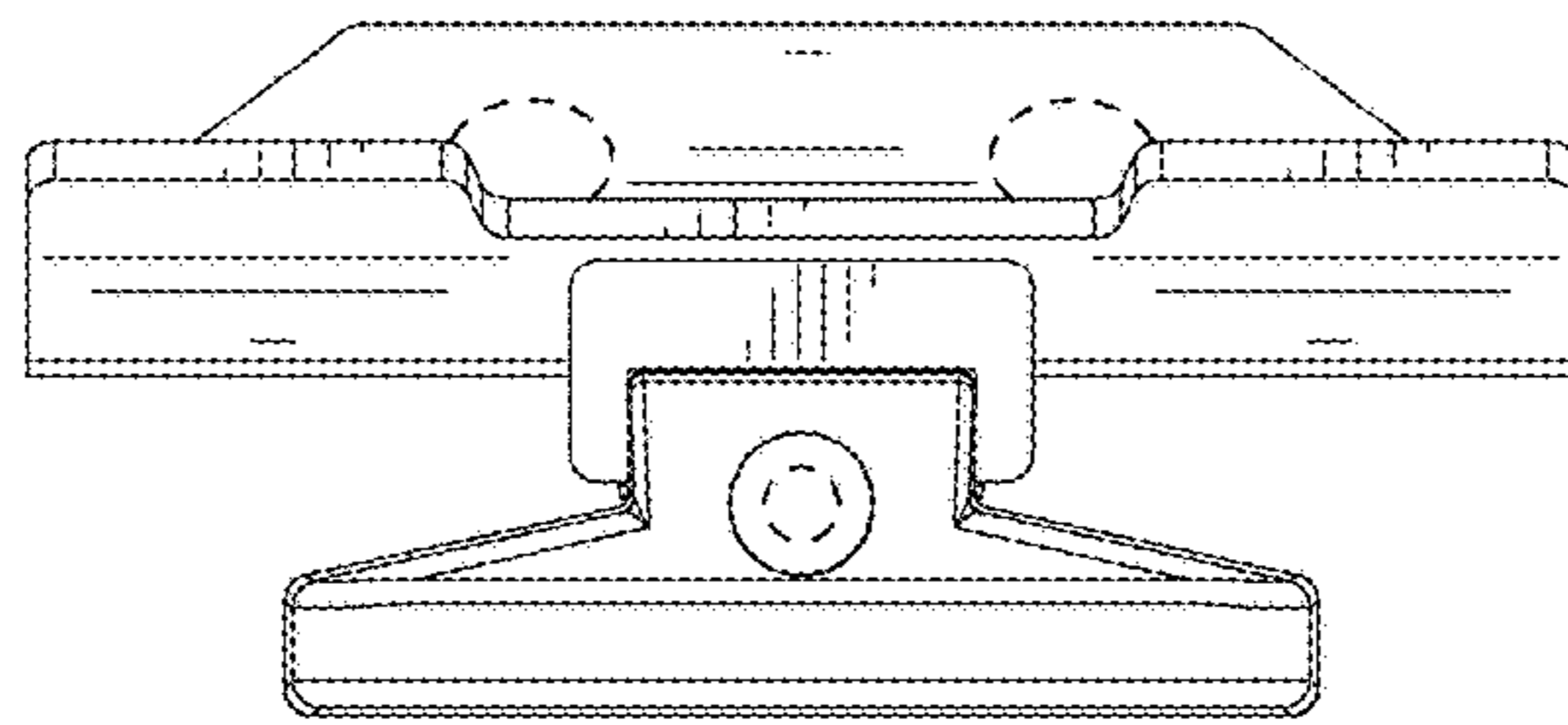


FIG. 6

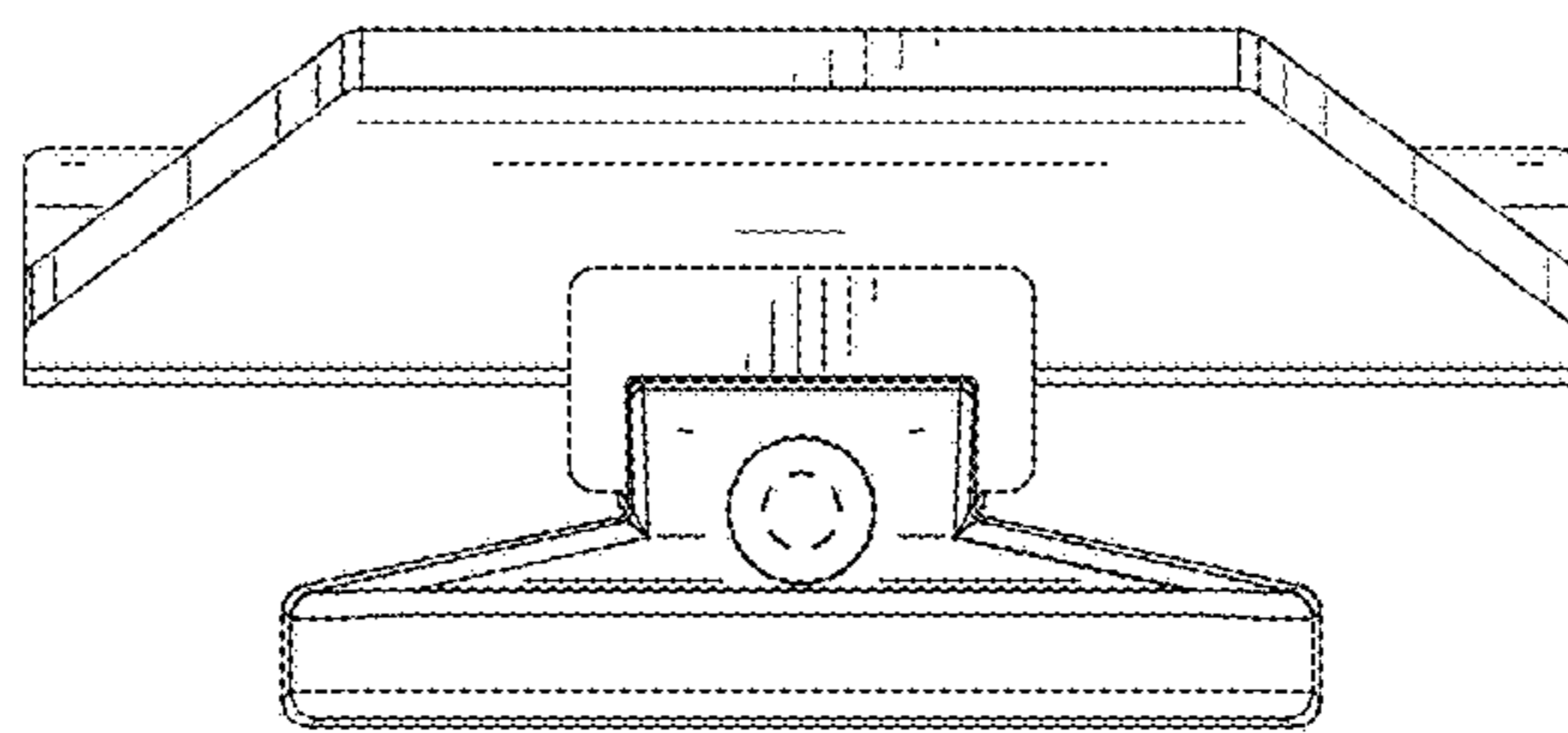


FIG. 7