

(56)

References Cited

U.S. PATENT DOCUMENTS

D379,042 S * 5/1997 Meisner D6/705
 D394,477 S * 5/1998 Blumenthal D21/522
 D403,538 S * 1/1999 Habib D6/675.3
 D433,613 S * 11/2000 Jialin D8/71
 D496,844 S * 10/2004 Winig D8/71
 D507,431 S * 7/2005 Goth D6/675.3
 D555,936 S * 11/2007 King D6/675.3
 D654,377 S * 2/2012 Cassidy D6/682.4
 8,152,003 B1 * 4/2012 Kao B25H 3/04
 211/70.6
 D683,607 S * 6/2013 Harvey 206/376
 D714,062 S * 9/2014 Chen D3/313
 D720,951 S * 1/2015 Hawkins D6/682.2
 D727,708 S * 4/2015 Kokke D3/315
 D785,428 S * 5/2017 Friesen D8/71
 2003/0045204 A1 * 3/2003 Chan A63H 33/3072
 446/397

2015/0352709 A1* 12/2015 Diamond B25H 3/003
 206/350
 2017/0001300 A1* 1/2017 Abel B25H 3/003

FOREIGN PATENT DOCUMENTS

CN 302026534 S 8/2012
 CN 302325909 S 2/2013
 CN 302358993 S 3/2013
 CN 303065299 * 1/2015
 CN 303175326 * 4/2015
 CN 303242209 * 6/2015
 CN 303065298 * 1/2016
 CN 303610015 * 3/2016
 CN 303850166 * 9/2016
 CN 303867037 * 9/2016
 CN 303867038 * 9/2016
 CN 303882756 * 10/2016
 KR 300810330.0000 * 8/2015

* cited by examiner

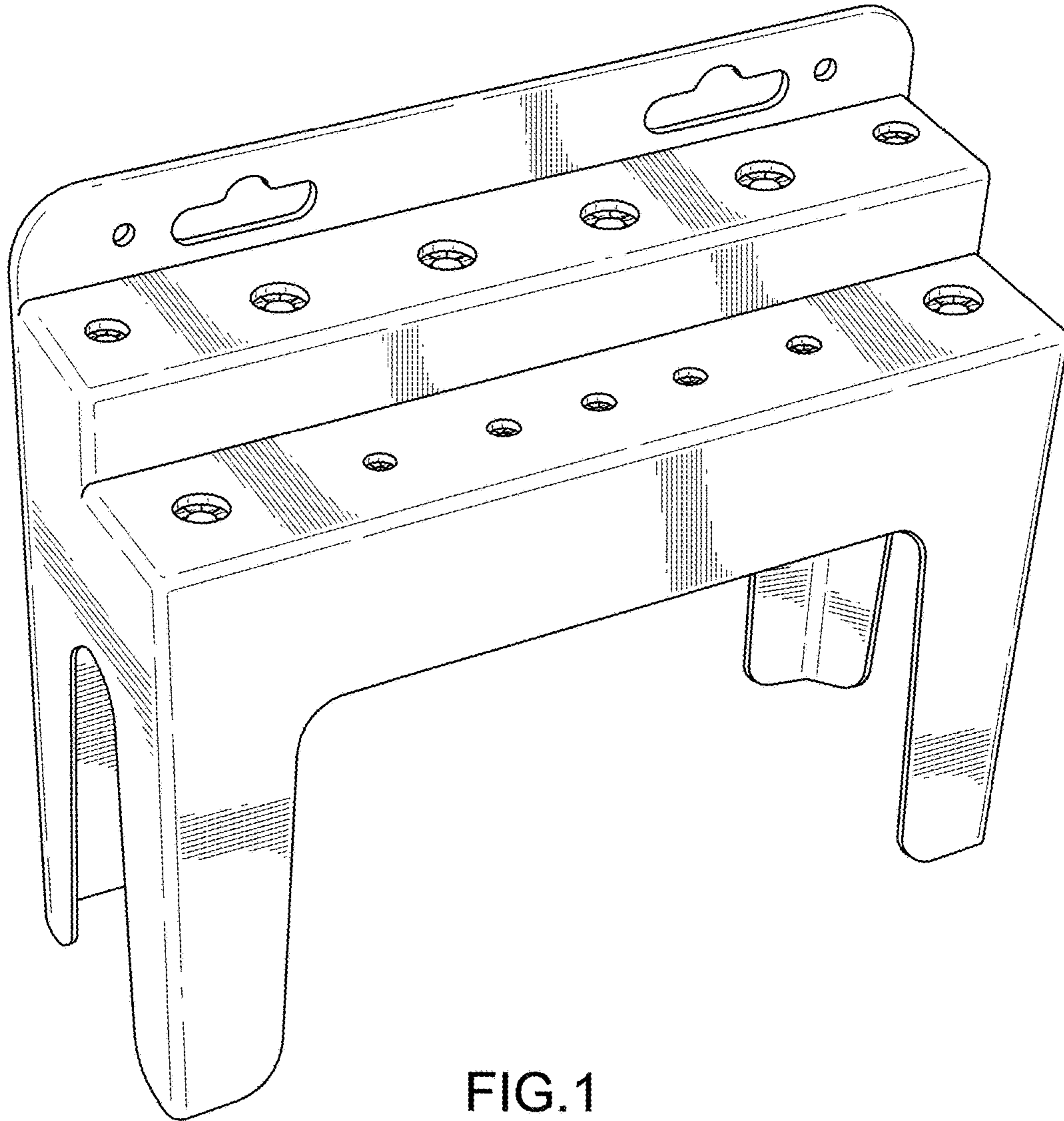


FIG.1

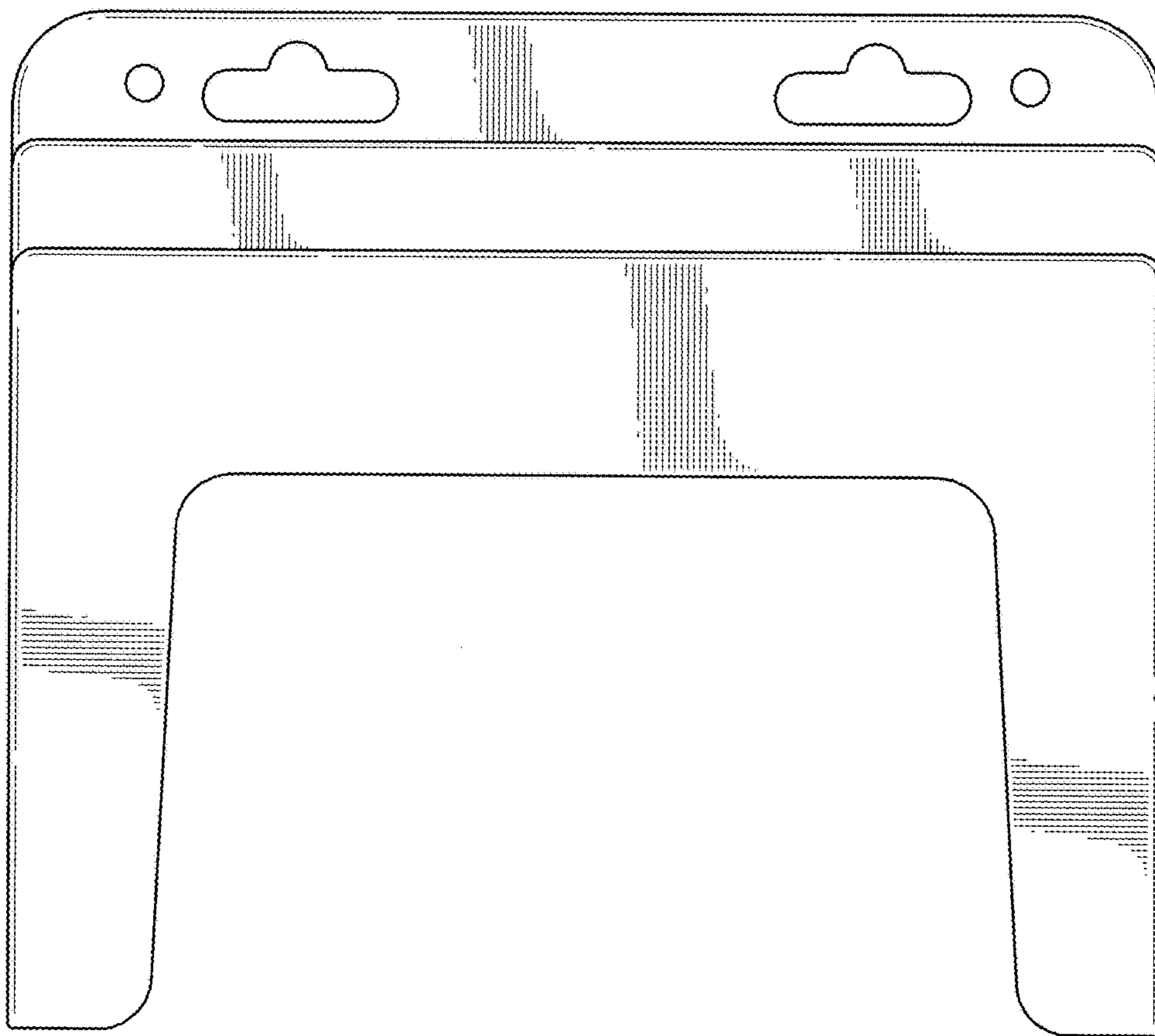


FIG.2

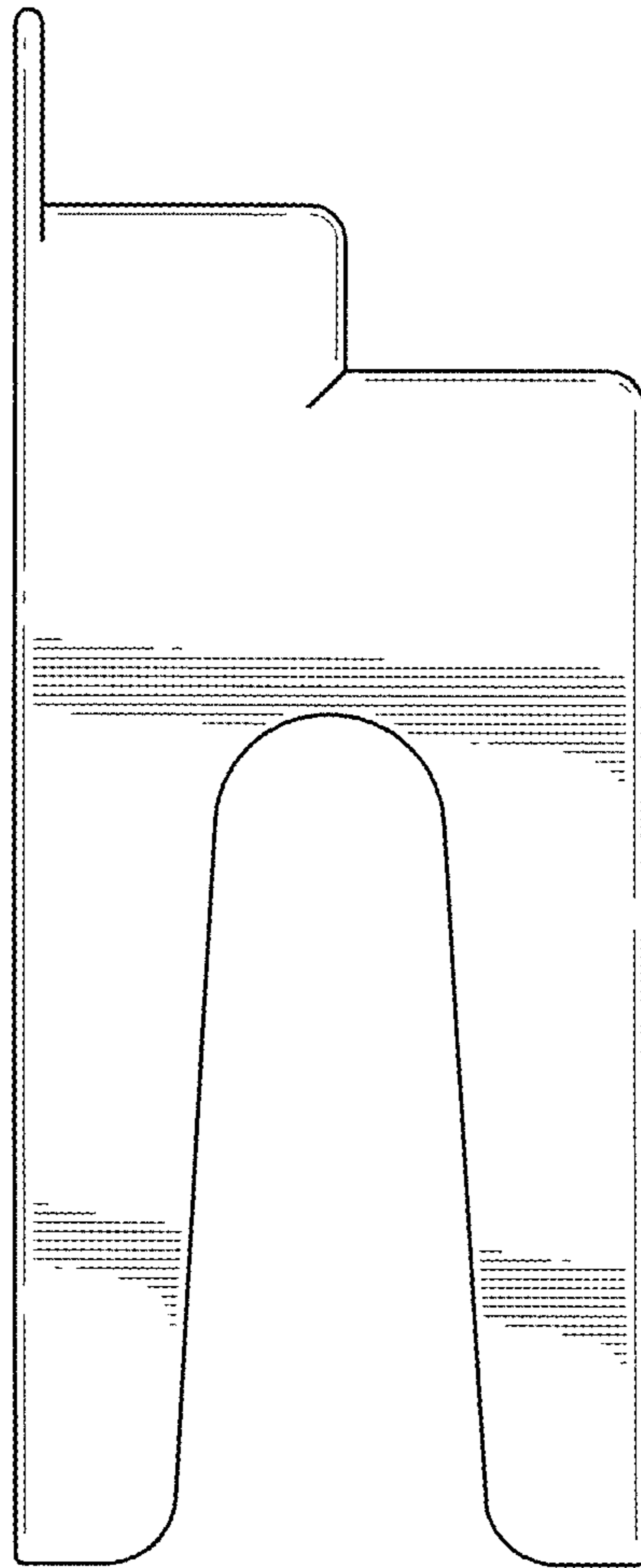


FIG. 3

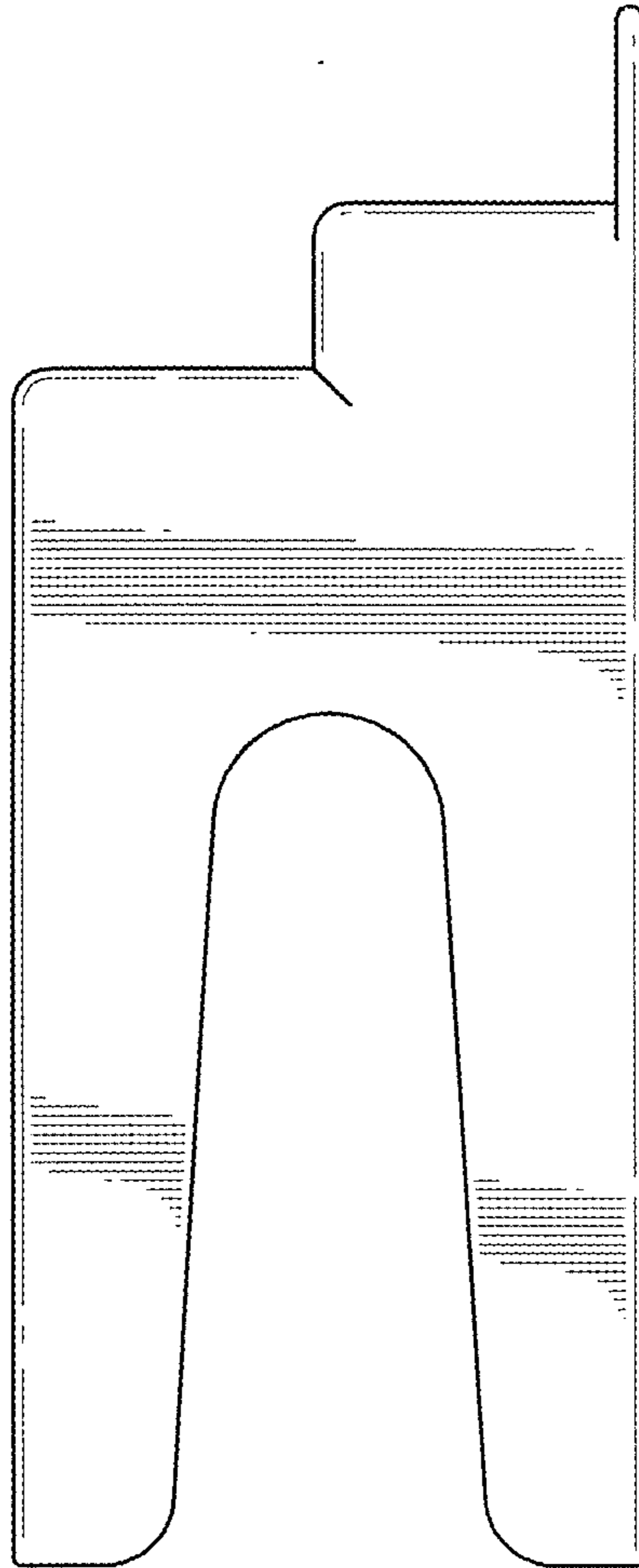


FIG.4

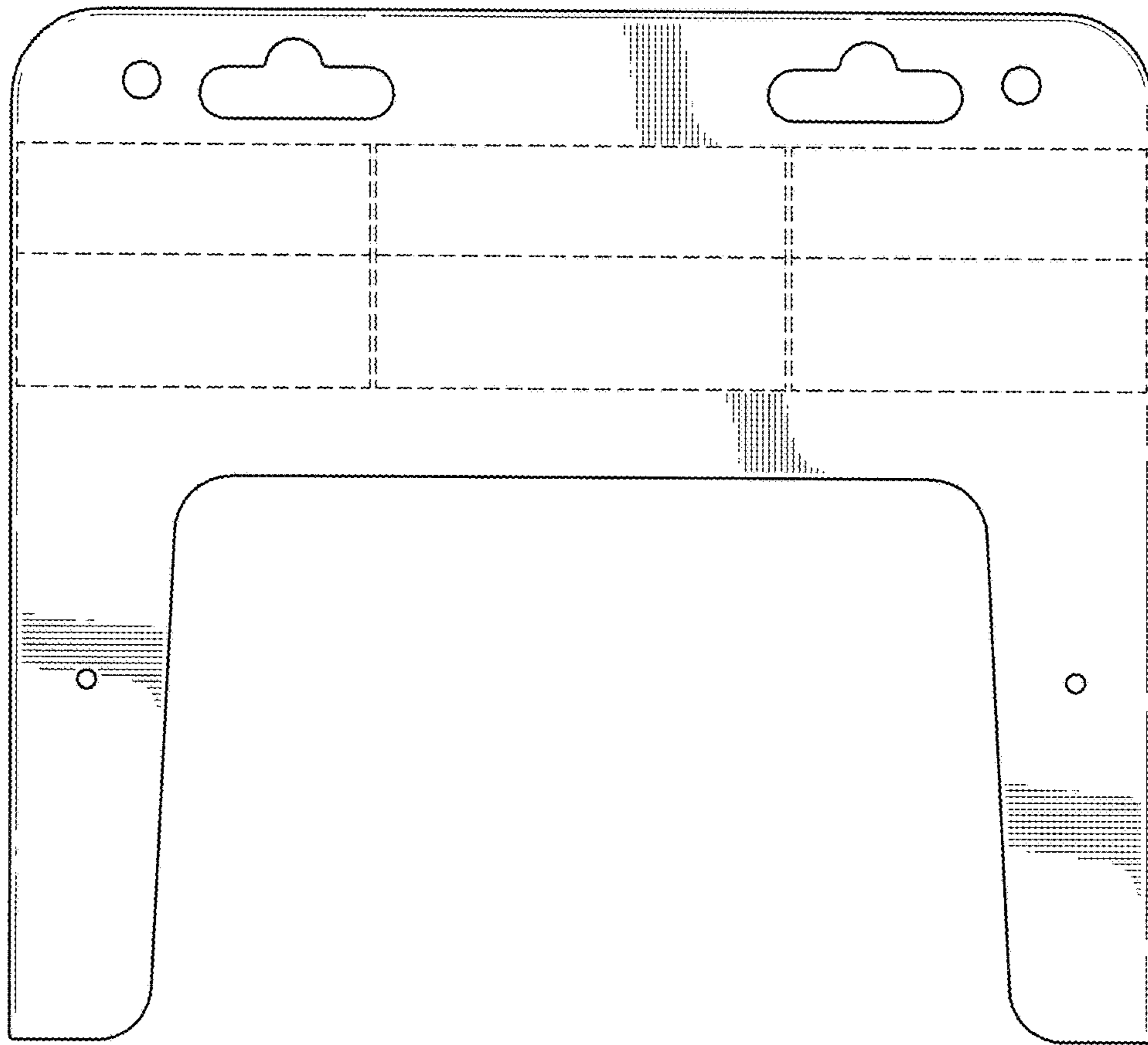


FIG.5

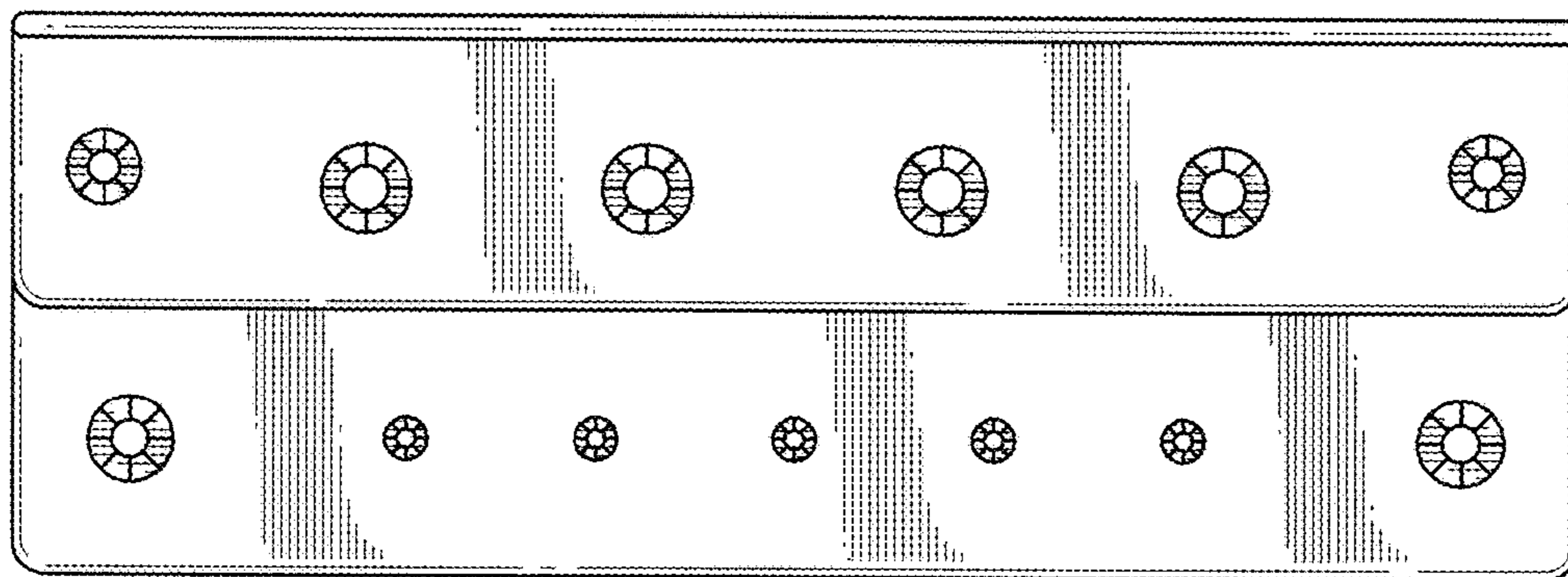


FIG. 6