



US00D837622S

(12) **United States Design Patent**
Chang

(10) **Patent No.:** **US D837,622 S**

(45) **Date of Patent:** **** Jan. 8, 2019**

(54) **PNEUMATIC TOOL**

(71) Applicant: **Airboss Air Tool Co., Ltd.**, Taichung (TW)

(72) Inventor: **Hsin He Chang**, Taichung (TW)

(73) Assignee: **Airboss Air Tool Co., Ltd.**, Taichung (TW)

(**) Term: **15 Years**

(21) Appl. No.: **29/610,447**

(22) Filed: **Jul. 12, 2017**

(30) **Foreign Application Priority Data**

Feb. 13, 2017 (TW) 106300663

(51) **LOC (11) Cl.** **08-05**

(52) **U.S. Cl.**
USPC **D8/68**

(58) **Field of Classification Search**
USPC D8/61, 67, 68
CPC . B21J 15/043; B21J 15/22; B21J 15/36; B21J
15/326
See application file for complete search history.

(56) **References Cited**

U.S. PATENT DOCUMENTS

D382,184 S *	8/1997	Sung	D8/61
D388,678 S *	1/1998	Bantly	D8/68
D396,620 S *	8/1998	Sung	D8/68
D403,564 S *	1/1999	Izumisawa	D8/68
D410,181 S *	5/1999	Sung	D8/68
D410,830 S *	6/1999	Pusateri	D8/61
D434,297 S *	11/2000	Iritani	D8/68
D434,958 S *	12/2000	Izumisawa	D8/68

D441,628 S *	5/2001	Bass	D8/68
D461,110 S *	8/2002	Izumisawa	D8/68
D469,673 S *	2/2003	Sliker	D8/68
D472,782 S *	4/2003	Pusateri	D8/68
D476,210 S *	6/2003	Chen	D8/68
D496,243 S *	9/2004	Huang	D8/68
D497,529 S *	10/2004	Price	D8/68
D497,787 S *	11/2004	Liao	D8/68
D504,299 S *	4/2005	Leasure	D8/68
D504,604 S *	5/2005	Leasure	D8/68
D507,732 S *	7/2005	Nowak	D8/68
D513,690 S *	1/2006	Etter	D8/68
D537,690 S *	3/2007	Su	D8/68
D540,641 S *	4/2007	Clay	D8/68
D605,490 S *	12/2009	Aglassinger	D8/68
7,673,702 B2 *	3/2010	Johnson	B25B 21/00 173/109
D664,413 S *	7/2012	Steinfels	D8/68
D716,125 S *	10/2014	Yaschur	D8/68

* cited by examiner

Primary Examiner — Darlington Ly

(74) *Attorney, Agent, or Firm* — C. G. Mersereau;
Nikolai & Mersereau, P.A.

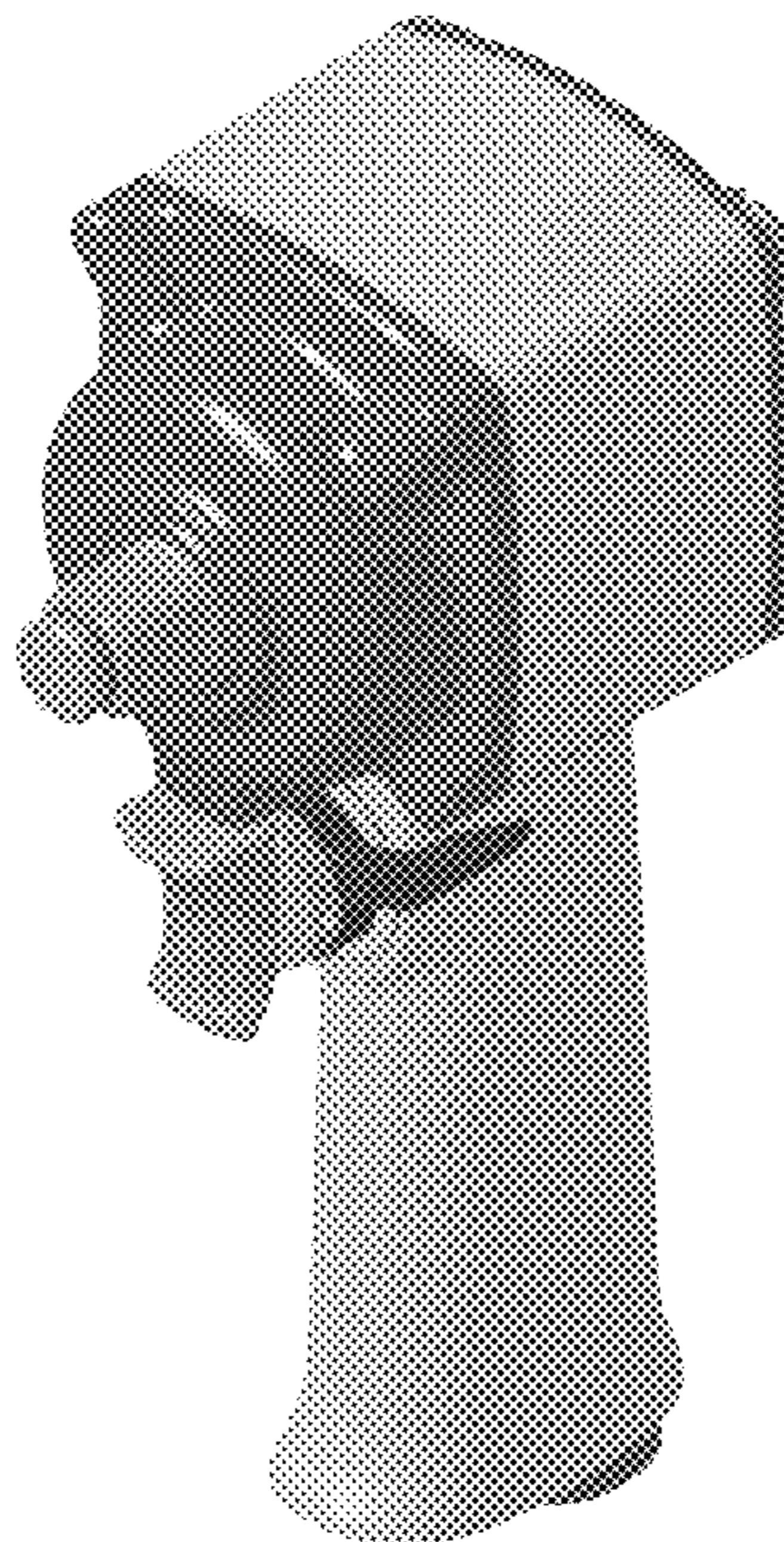
(57) **CLAIM**

The ornamental design for a pneumatic tool, as shown.

DESCRIPTION

FIG. 1 is a front perspective view of a pneumatic tool showing my new design;
FIG. 2 is a rear perspective view thereof;
FIG. 3 is a front elevation view thereof;
FIG. 4 is a rear elevation view thereof;
FIG. 5 is a left side elevation view thereof;
FIG. 6 is a right side elevation view thereof;
FIG. 7 is a top plan view thereof; and,
FIG. 8 is a bottom plan view thereof.

1 Claim, 8 Drawing Sheets



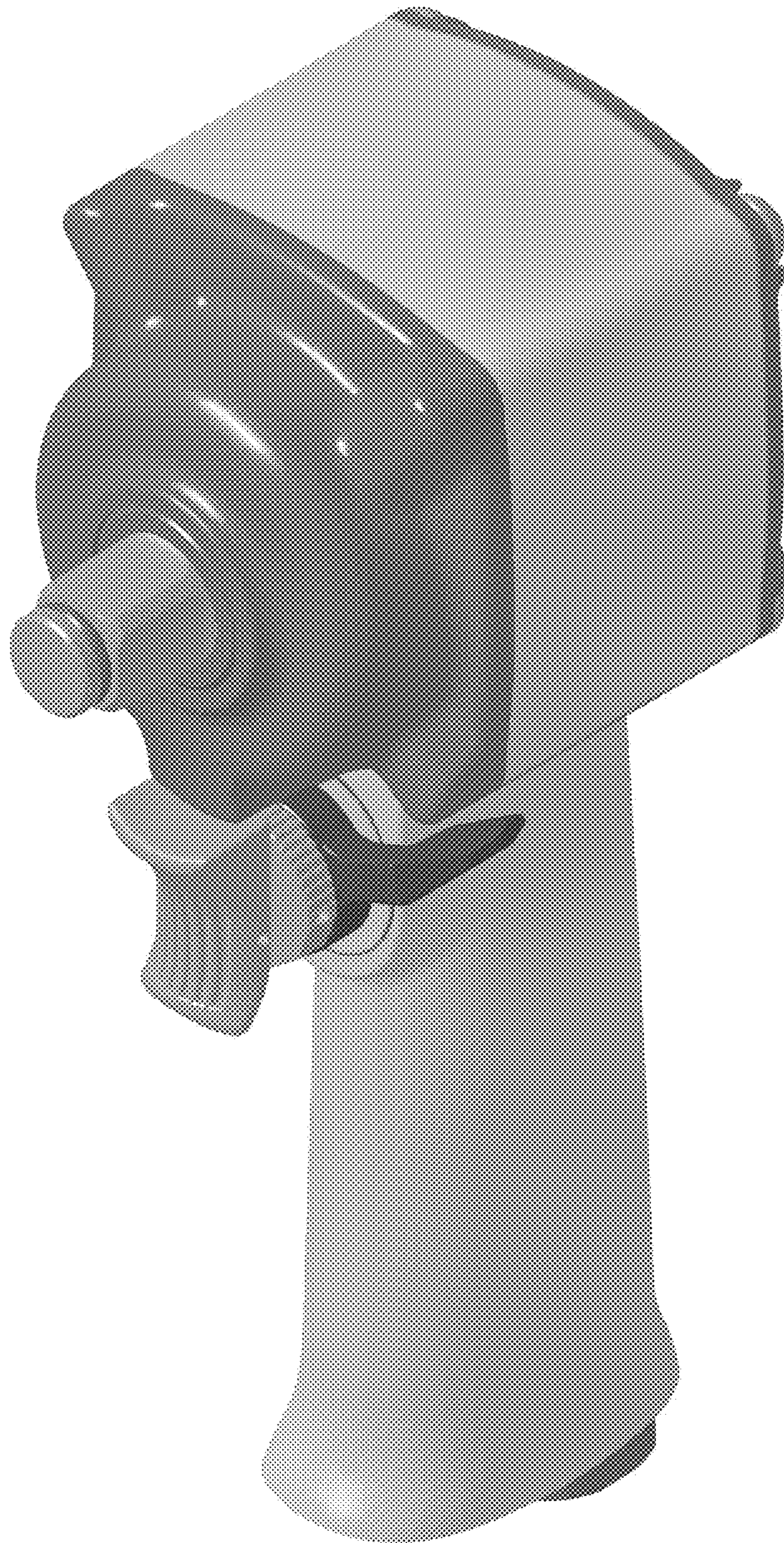


FIG.1

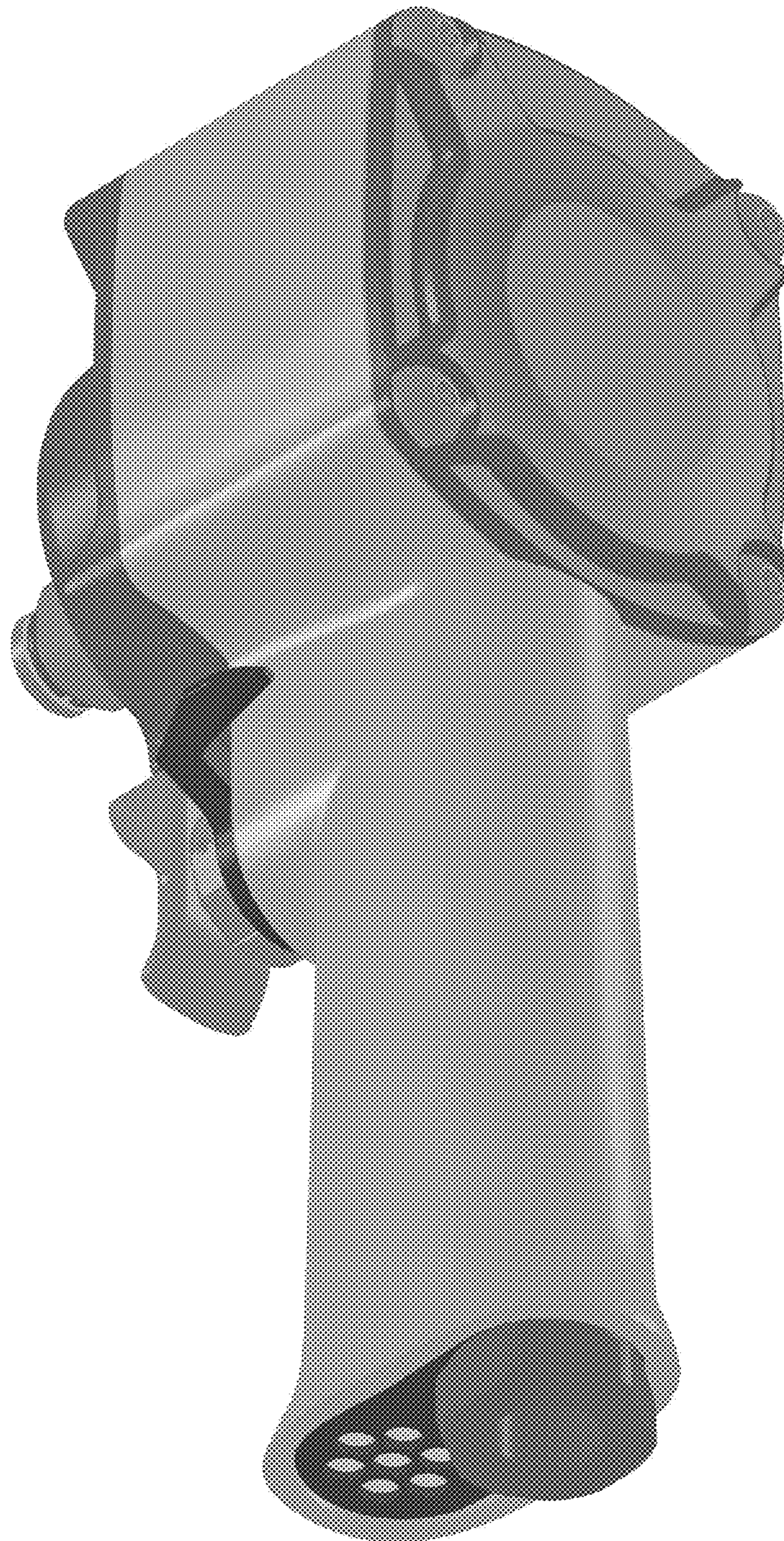


FIG.2

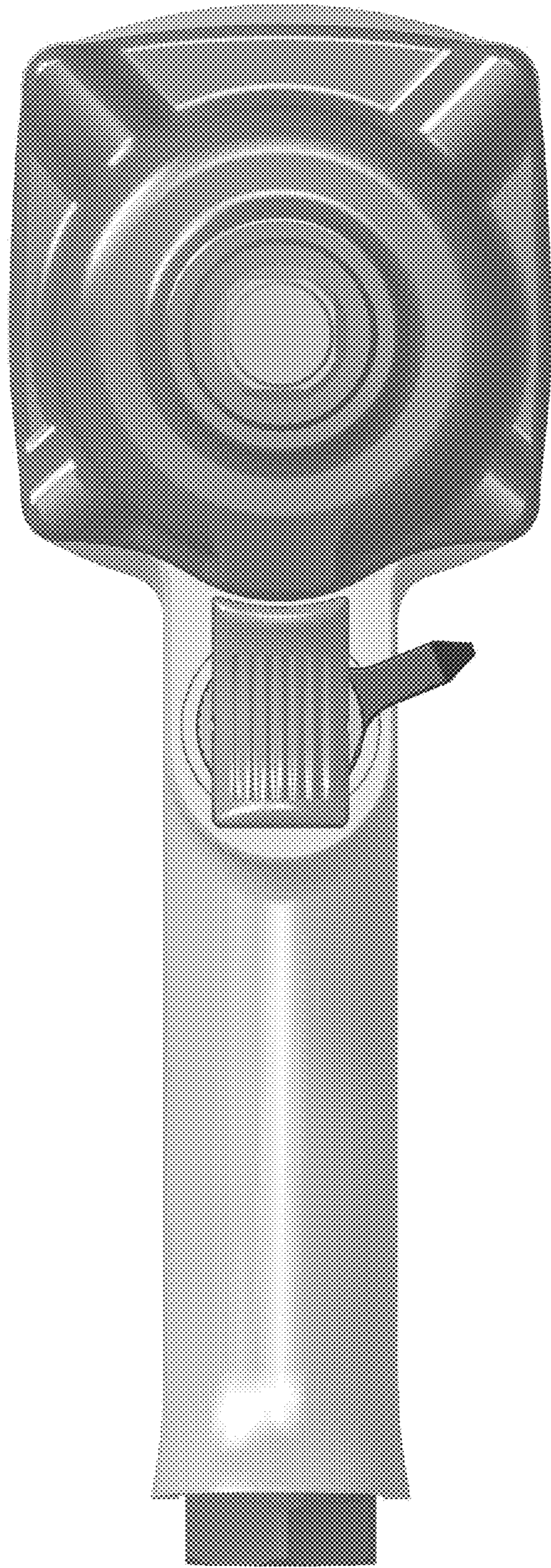


FIG.3

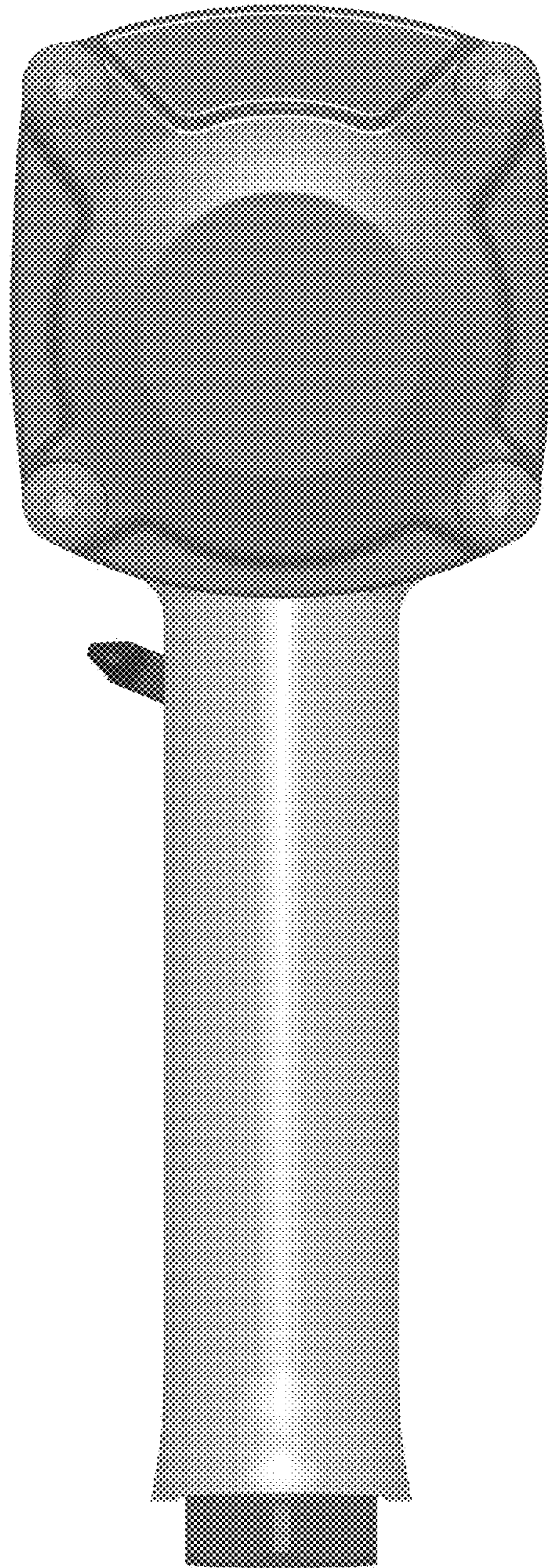


FIG.4

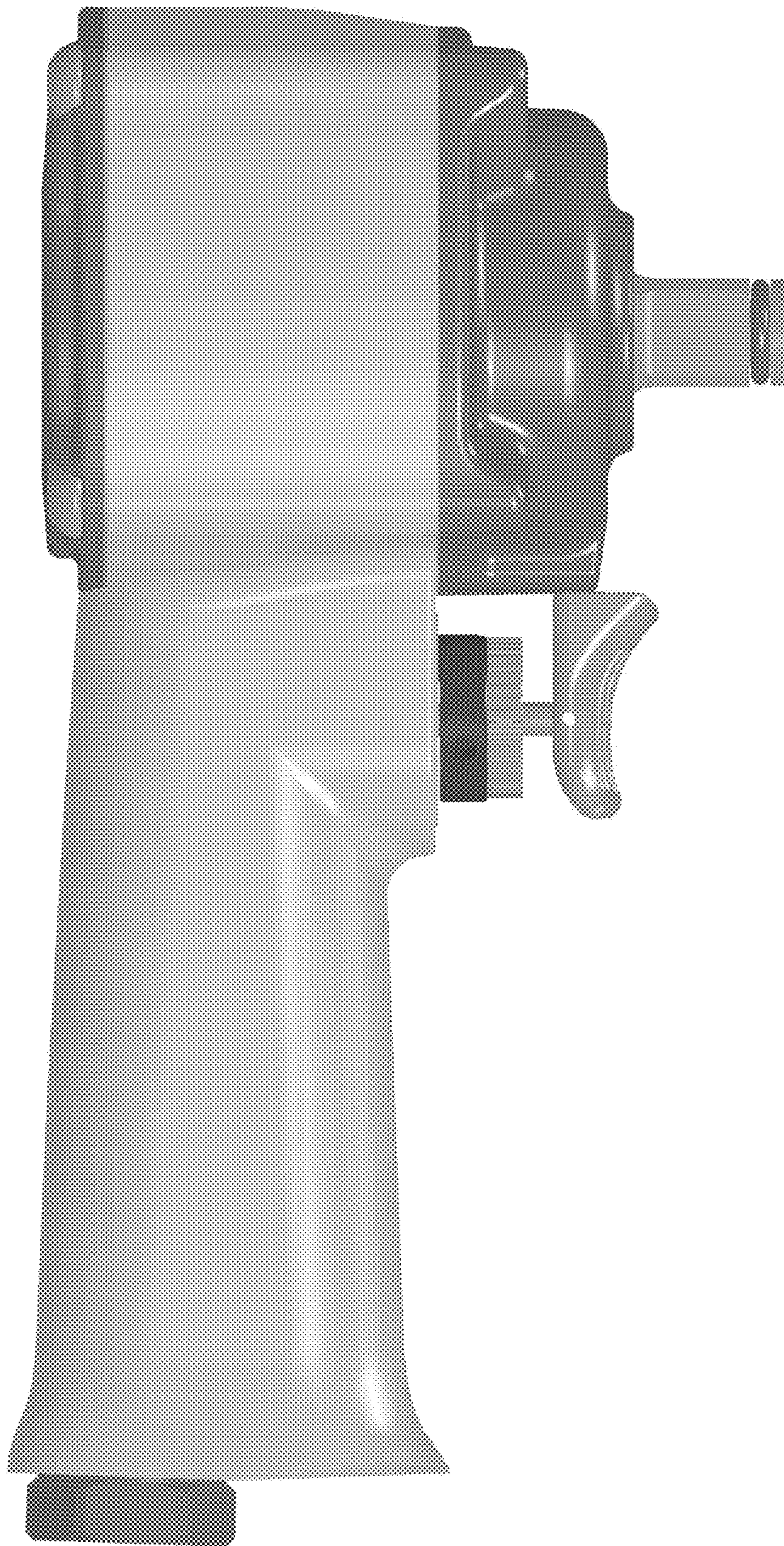


FIG.5

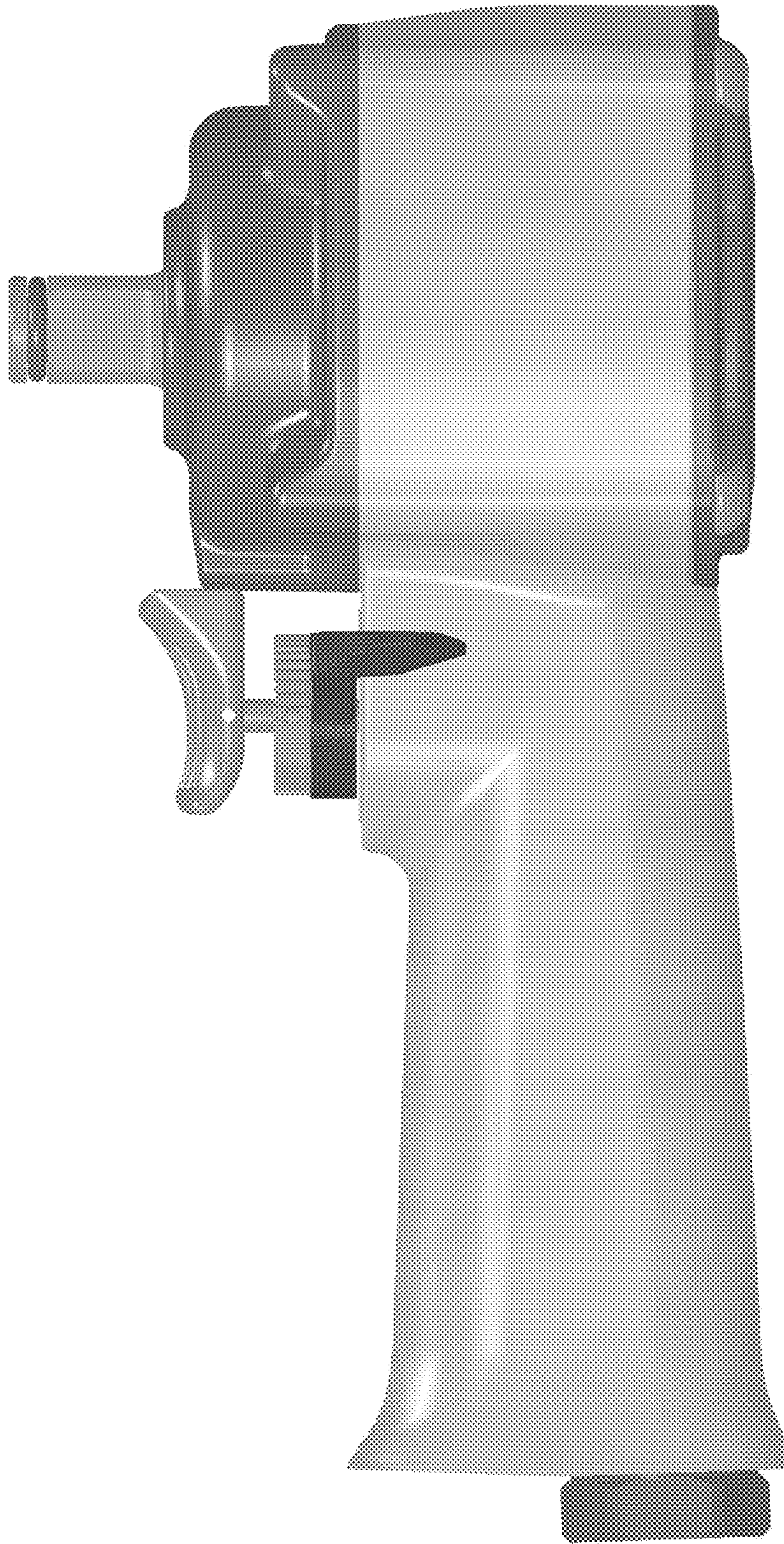


FIG.6

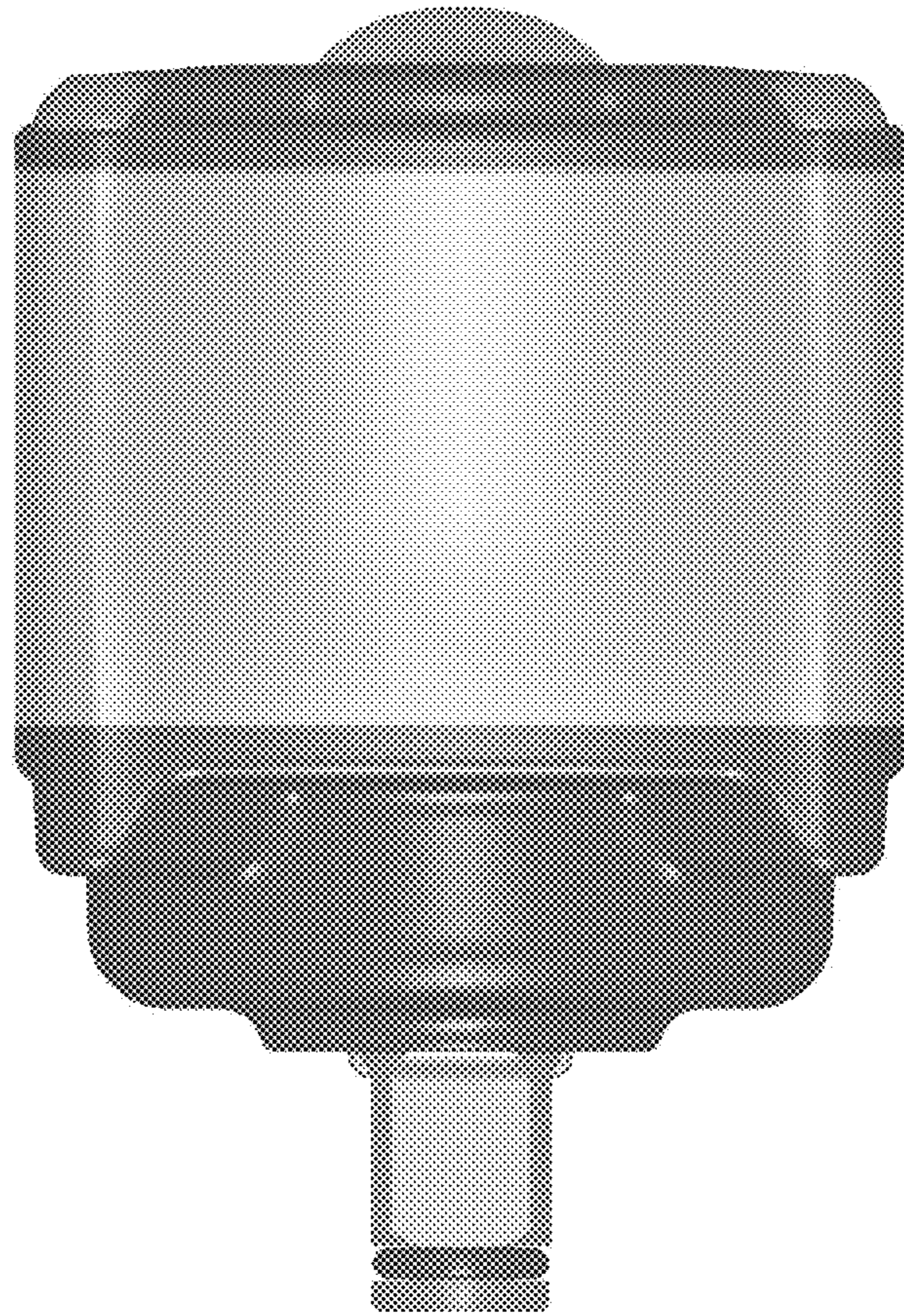


FIG.7

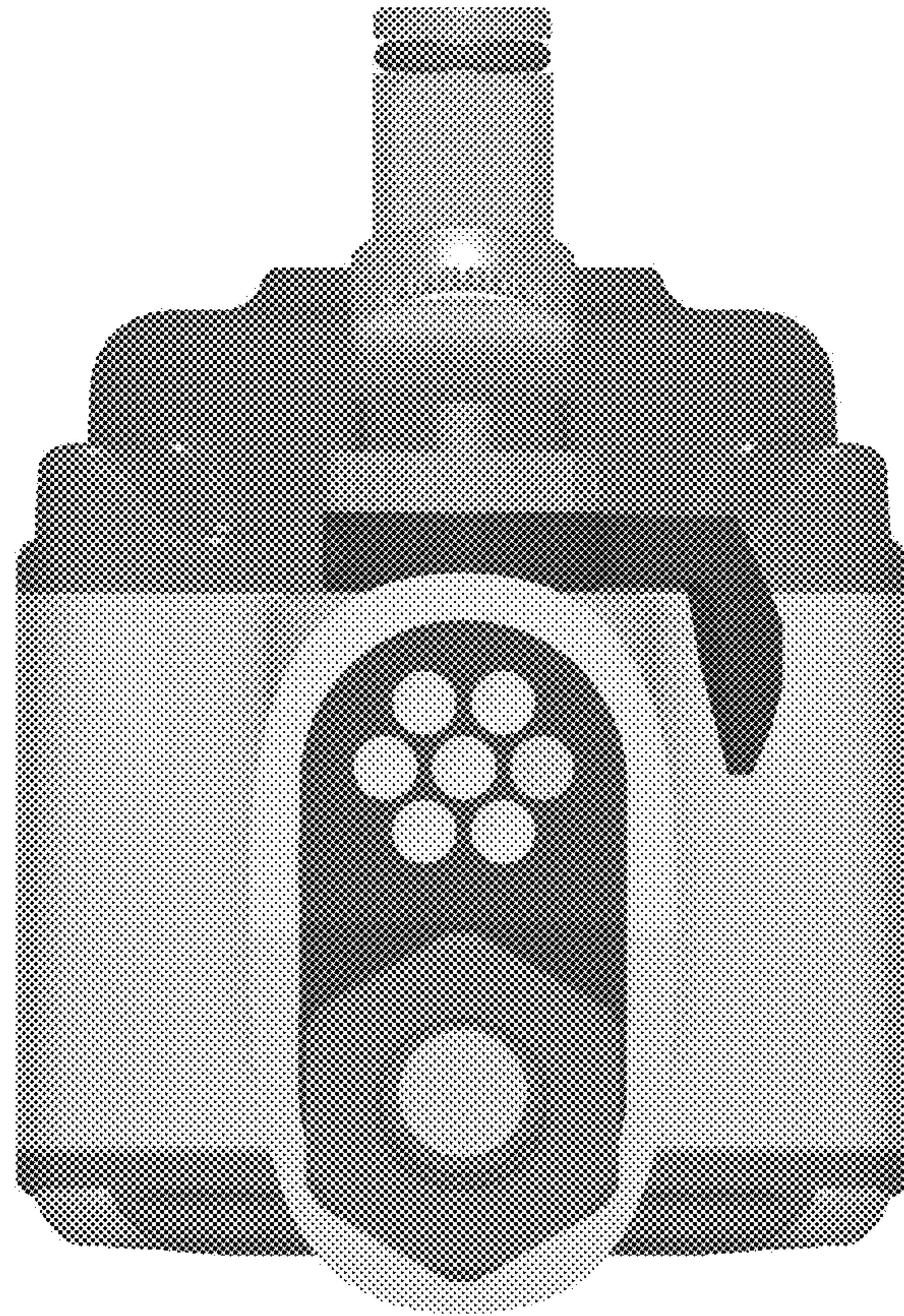


FIG.8