



US00D837620S

(12) **United States Design Patent**
Hsu

(10) **Patent No.:** **US D837,620 S**
(45) **Date of Patent:** **** Jan. 8, 2019**

(54) **TORQUE WRENCH CONNECTOR**

(71) Applicant: **Chih-Hsiang Hsu**, Taipei (TW)

(72) Inventor: **Chih-Hsiang Hsu**, Taipei (TW)

(**) Term: **15 Years**

(21) Appl. No.: **29/630,199**

(22) Filed: **Dec. 20, 2017**

(51) **LOC (11) Cl.** **08-05**

(52) **U.S. Cl.**
USPC **D8/24**

(58) **Field of Classification Search**

USPC D8/24, 61, 107; 73/862.22, 862.23,
73/862.331-962.335; 81/467, 469, 479,
81/480-483, 57, 39; 464/25, 35

CPC B25B 31/00; B25B 13/00; B25B 23/00
See application file for complete search history.

(56) **References Cited**

U.S. PATENT DOCUMENTS

D241,500 S * 9/1976 Leonard D8/24
D602,755 S * 10/2009 Junkers D8/24

D630,956 S * 1/2011 Wang D10/83
D634,169 S * 3/2011 Huang D8/24
8,215,187 B2 * 7/2012 Chen B25B 23/1425
73/862.21
D767,354 S * 9/2016 Palsson D8/24

* cited by examiner

Primary Examiner — Randall H Gholson

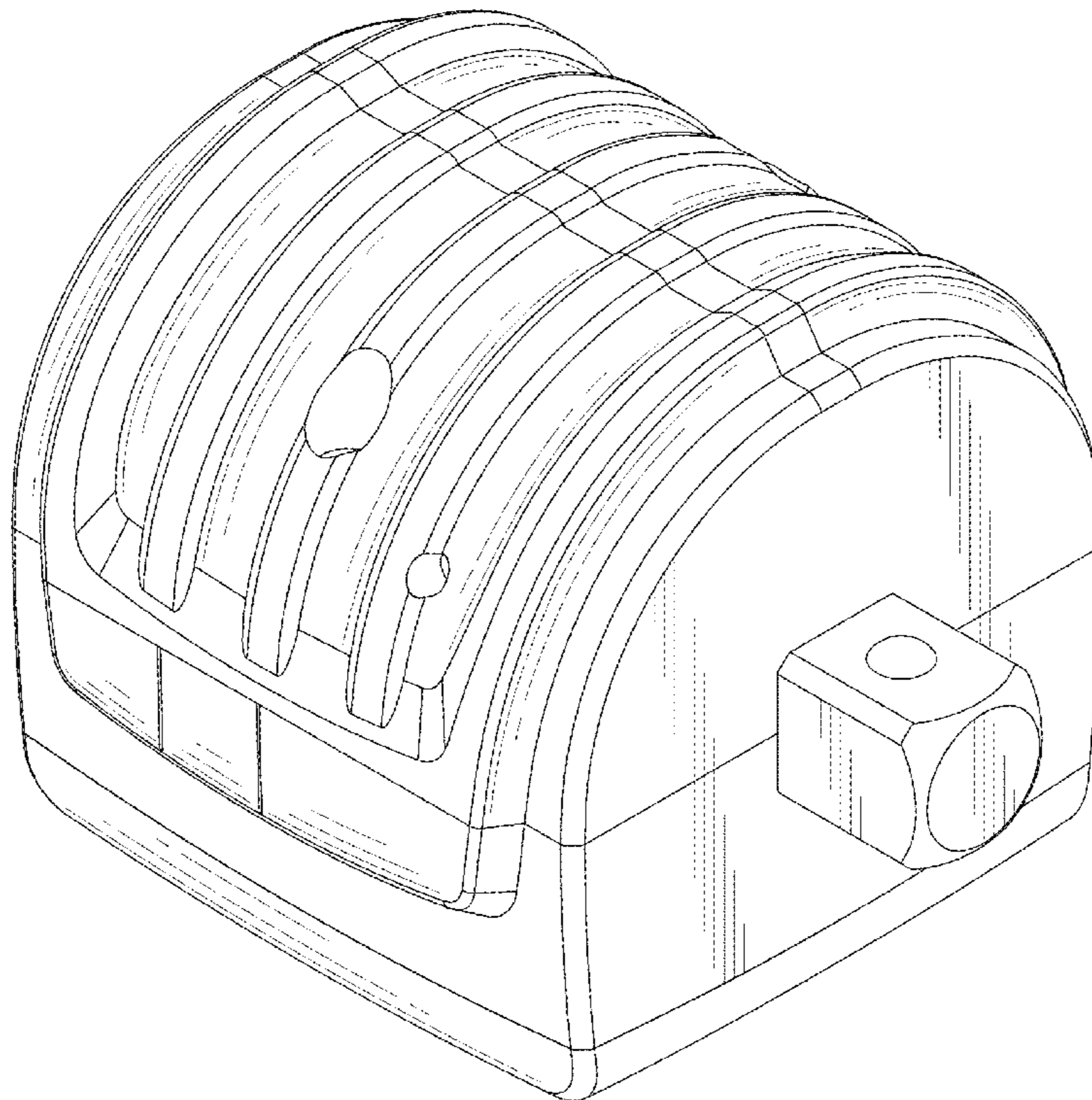
(57) **CLAIM**

The ornamental design for a torque wrench connector, as shown and described.

DESCRIPTION

FIG. 1 is a front-right-top perspective view of the torque wrench connector showing my new design; FIG. 2 is a front elevational view thereof; FIG. 3 is a rear front elevational view thereof; FIG. 4 is a left side elevational view thereof; FIG. 5 is a right side elevational view thereof; FIG. 6 is a top plan view thereof; FIG. 7 is a bottom plan view thereof; and, FIG. 8 is a front-left-bottom perspective view thereof.

1 Claim, 8 Drawing Sheets



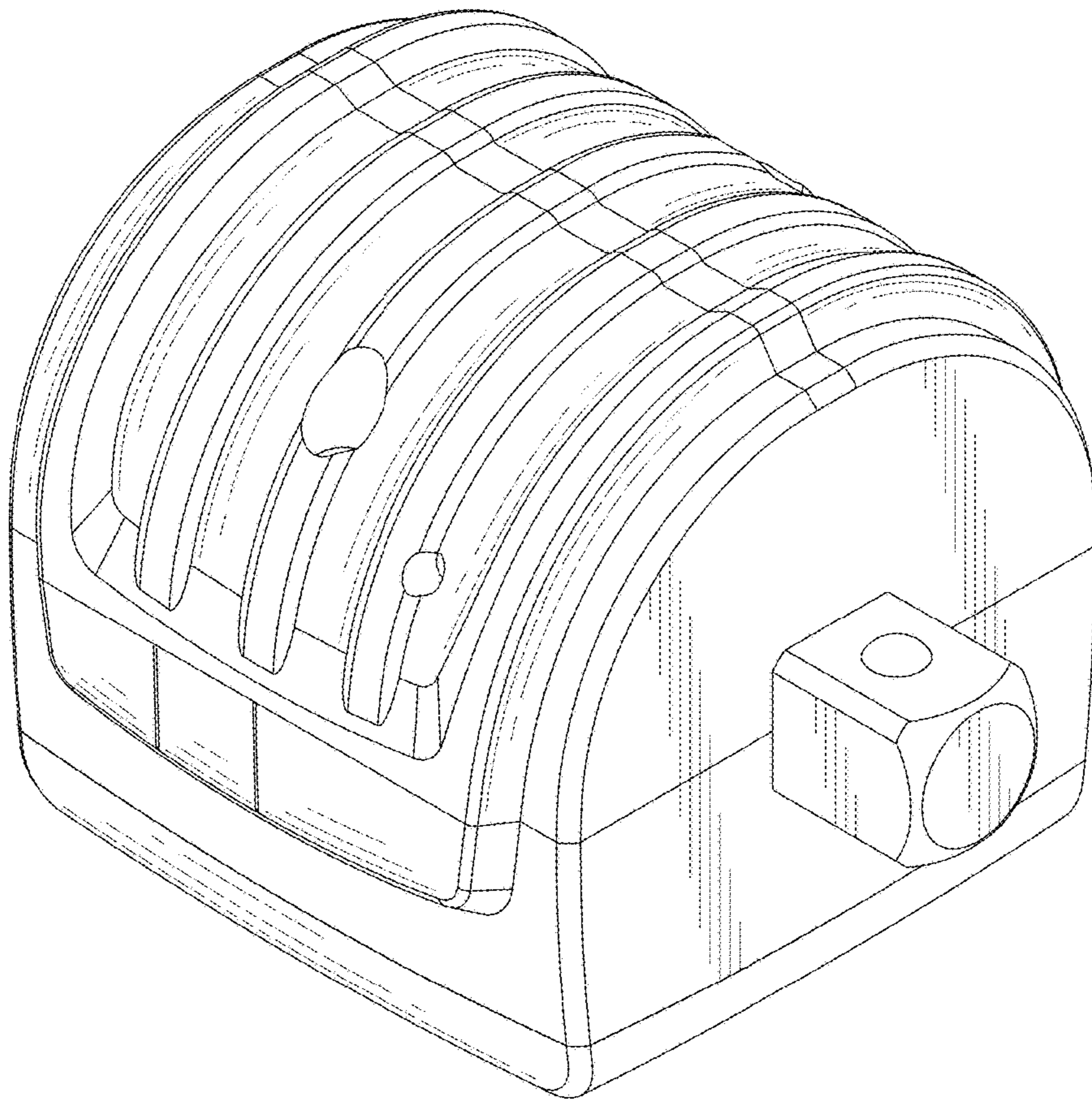


FIG.1

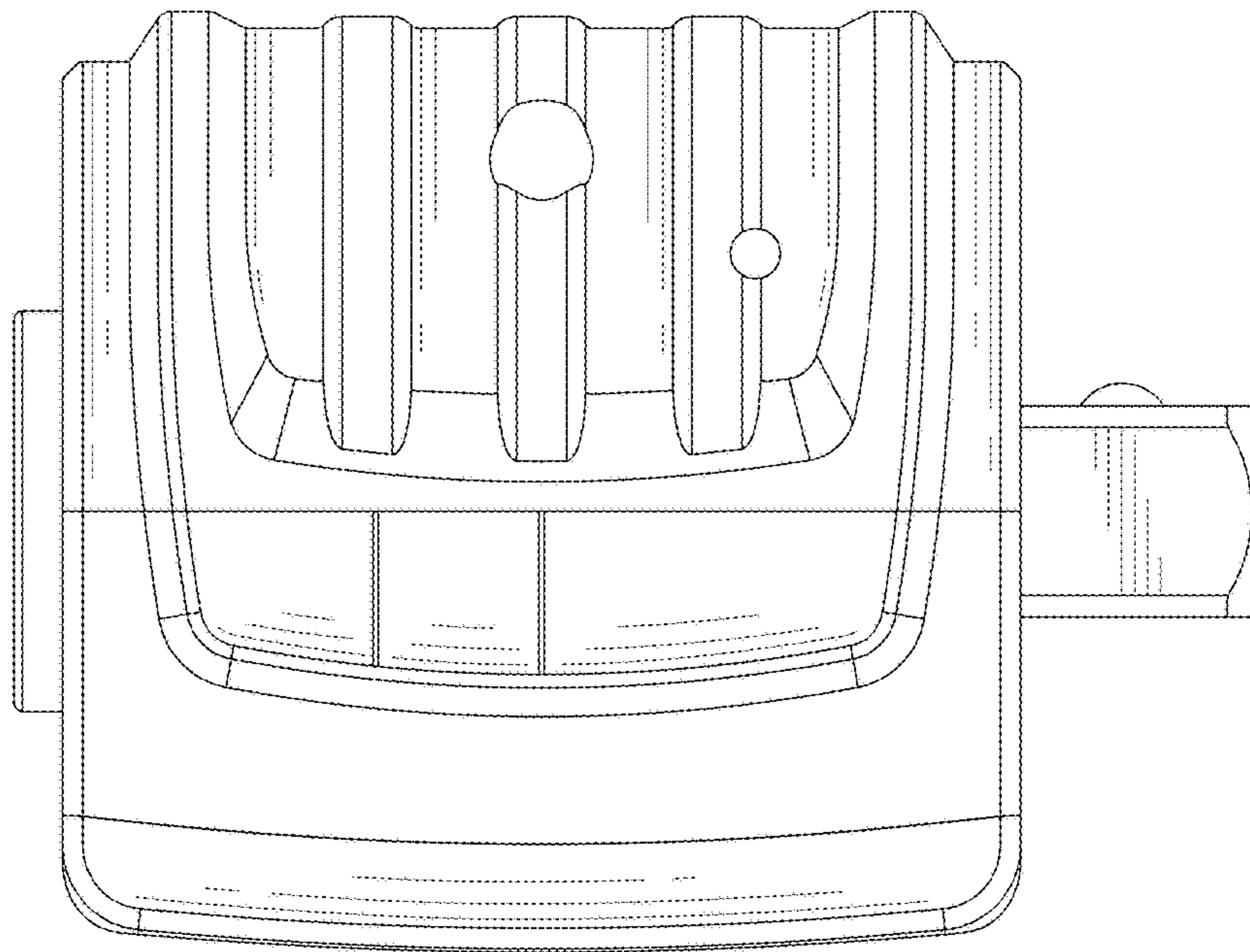


FIG.2

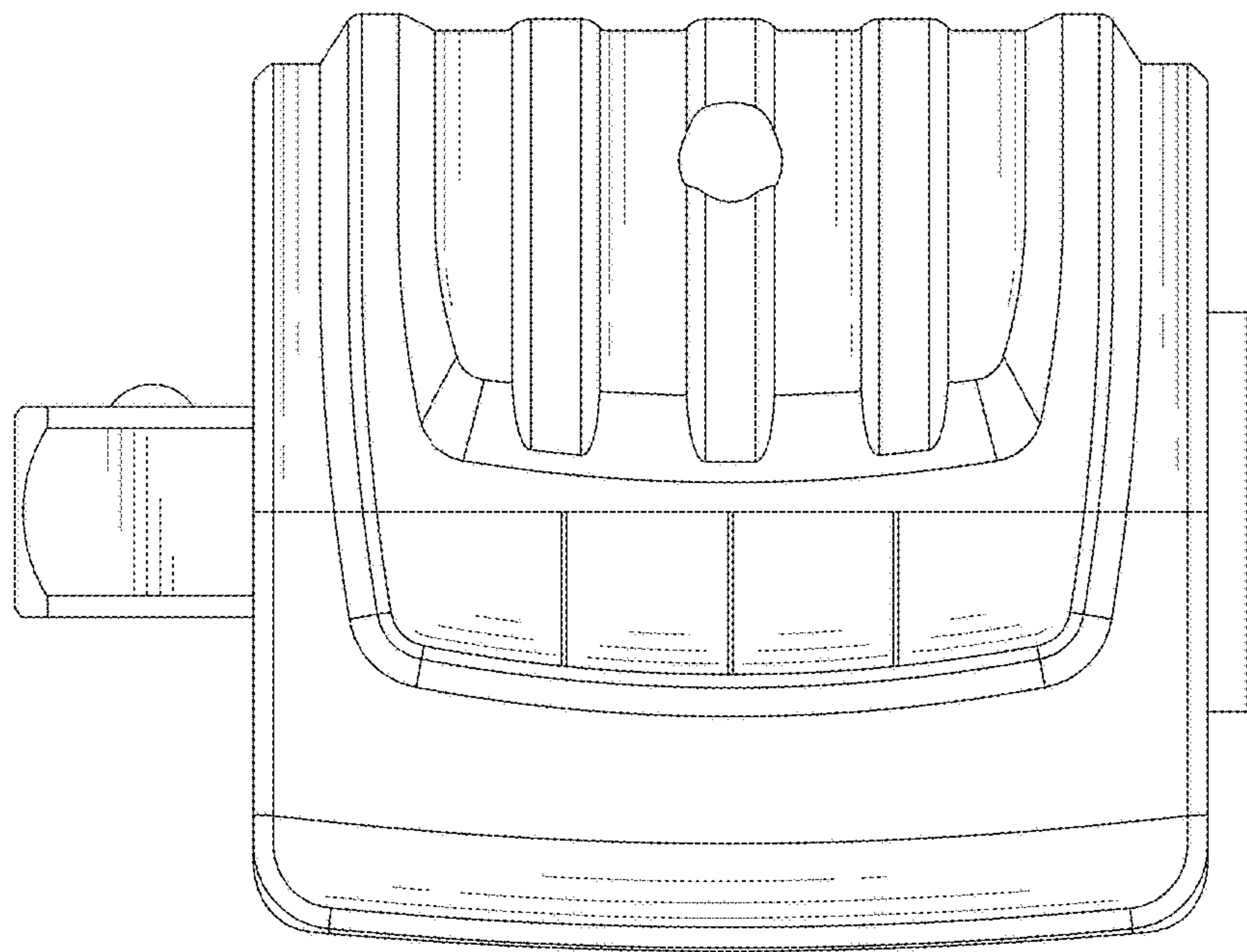


FIG.3

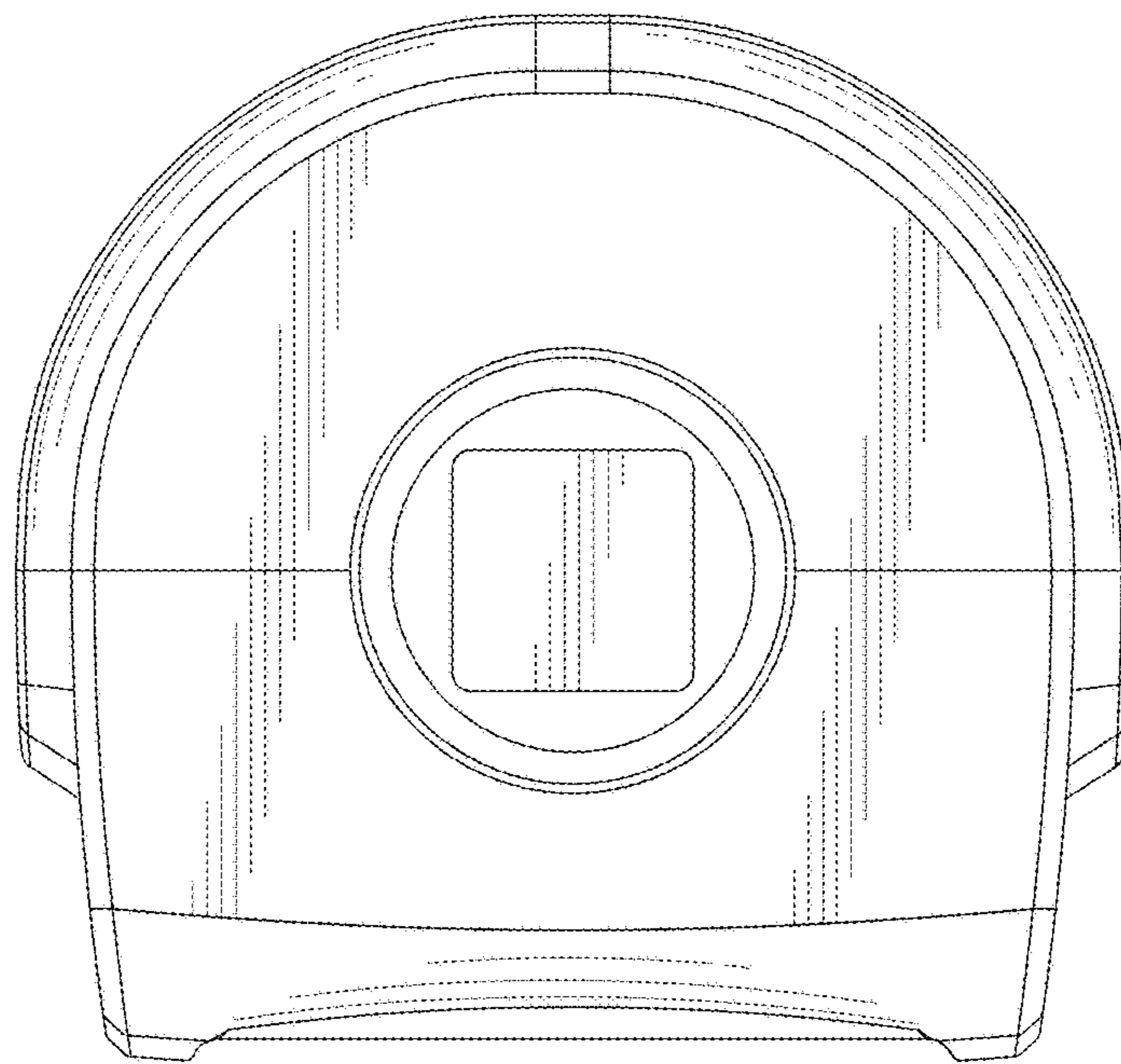


FIG.4

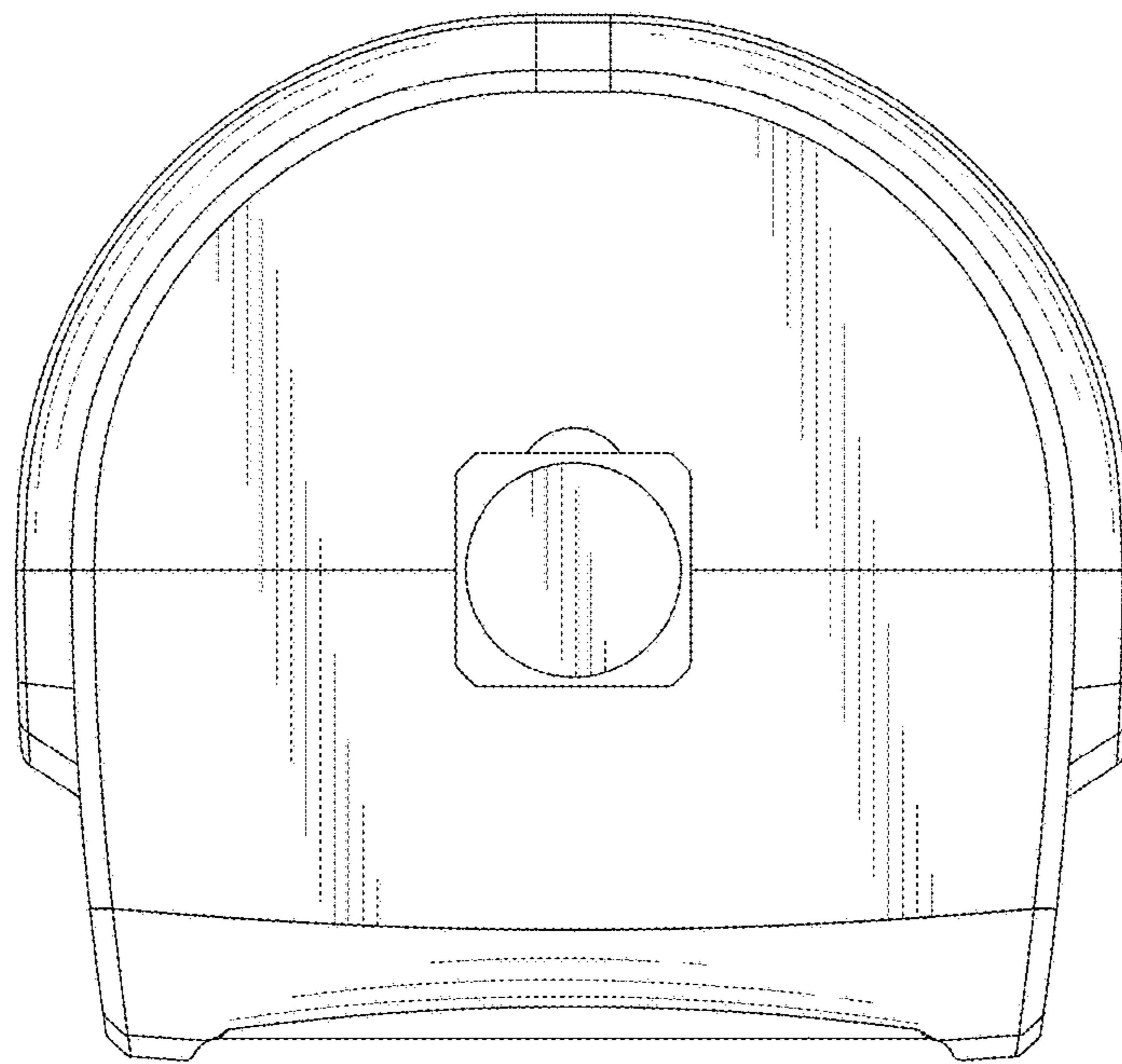


FIG.5

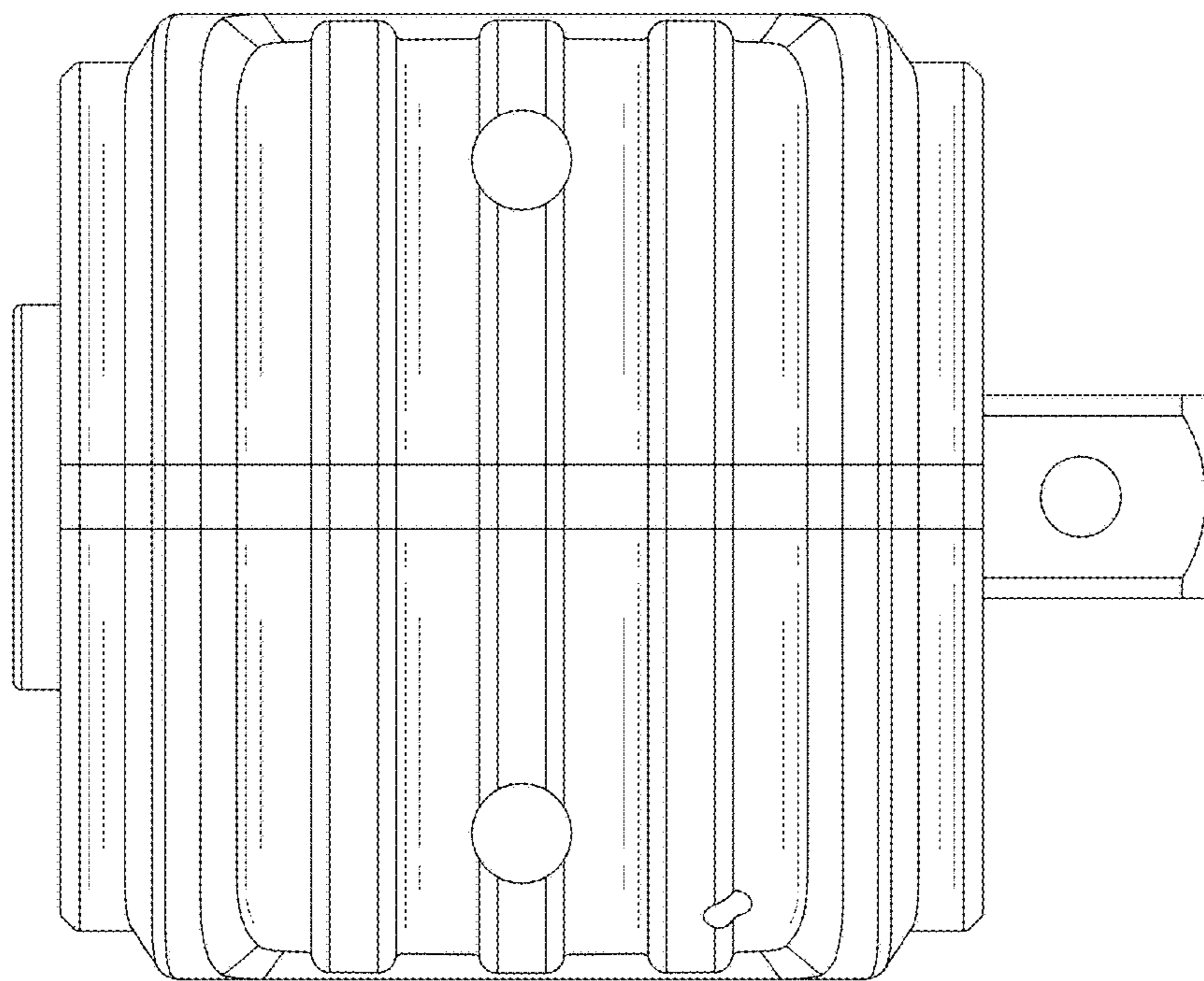


FIG.6

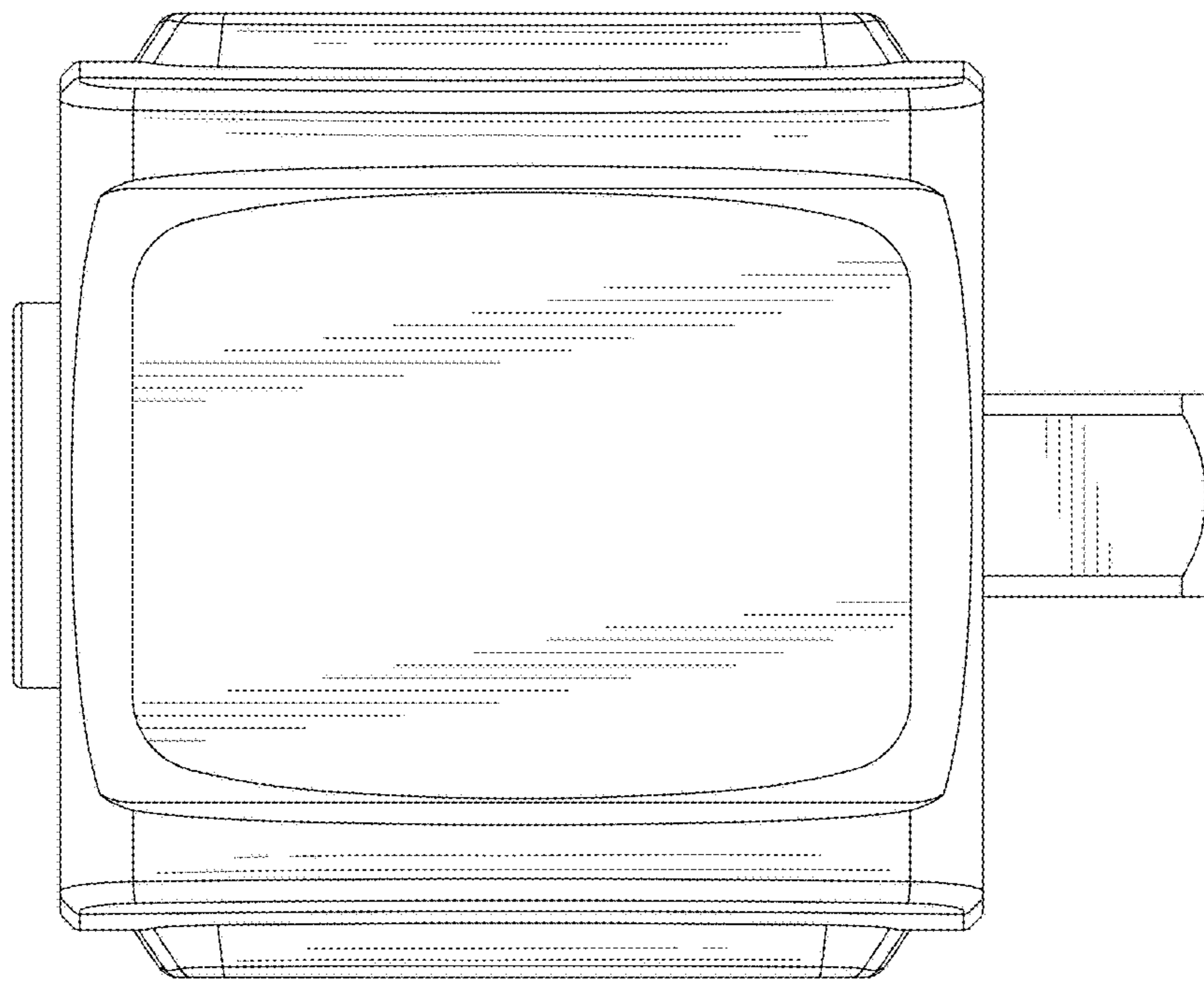


FIG.7

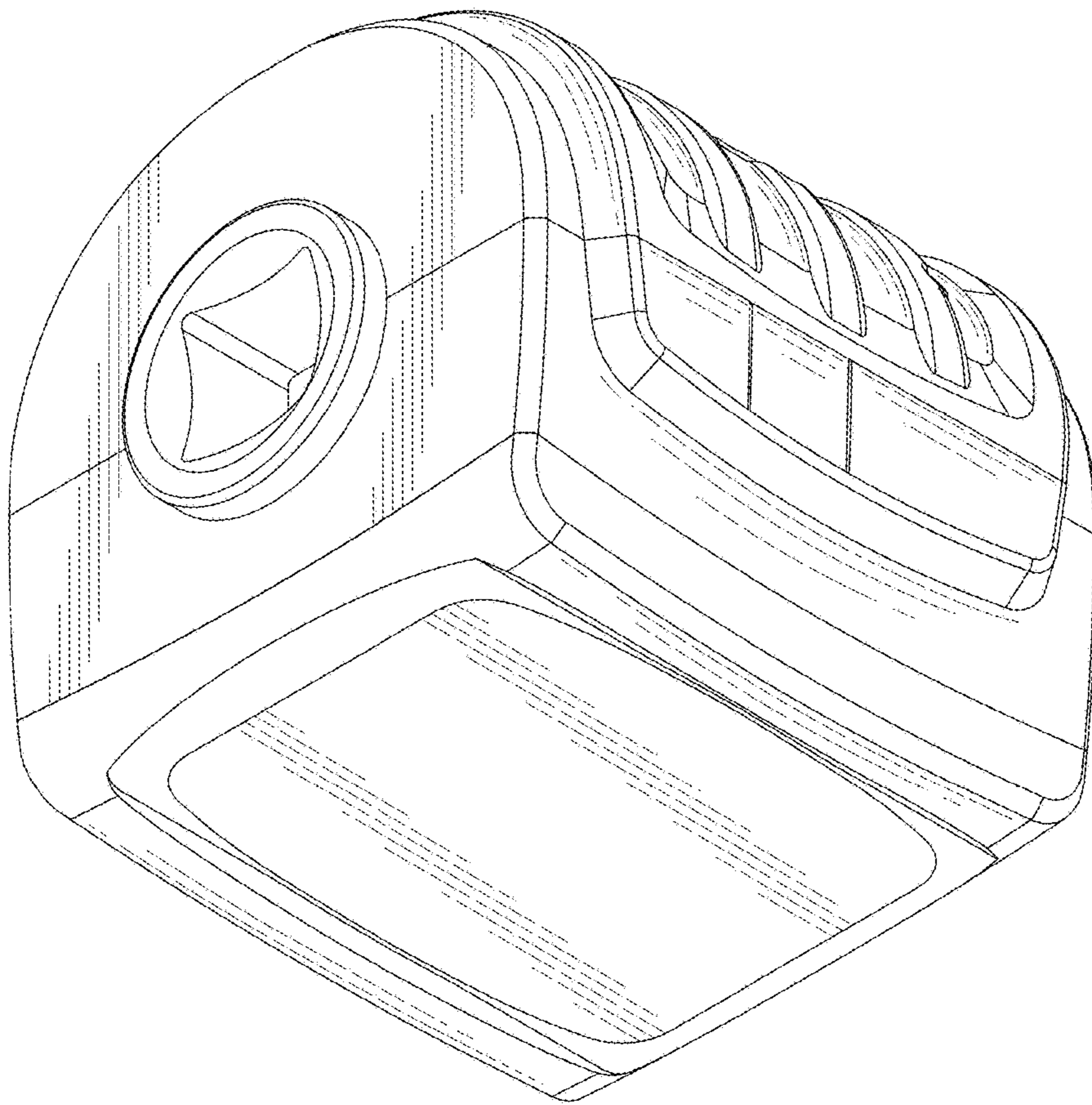


FIG.8