



US00D837619S

(12) **United States Design Patent**
George

(10) **Patent No.:** **US D837,619 S**

(45) **Date of Patent:** **** Jan. 8, 2019**

(54) **HAND TOOL**

(71) Applicant: **William George**, Waxhaw, NC (US)

(72) Inventor: **William George**, Waxhaw, NC (US)

(**) Term: **15 Years**

(21) Appl. No.: **29/610,587**

(22) Filed: **Jul. 13, 2017**

(51) **LOC (11) Cl.** **08-05**

(52) **U.S. Cl.**
USPC **D8/14; D8/17; D8/18**

(58) **Field of Classification Search**
USPC D8/14, 17, 18, 19, 21, 105, 28
CPC B25F 1/00; B25F 1/003; B25F 1/02; B25F
1/04; B25F 1/066; B67B 7/14; B67B
7/16; B67B 7/44

See application file for complete search history.

(56) **References Cited**

U.S. PATENT DOCUMENTS

D434,621 S	*	12/2000	Tonkin	D8/17
D461,107 S	*	8/2002	Pitt	D8/17
D519,342 S	*	4/2006	Hartman	D8/28
D561,544 S	*	2/2008	Hume	D8/14

D584,585 S	*	1/2009	Juelch	D8/28
D689,351 S	*	9/2013	Webb, Jr.	D8/17
D726,517 S	*	4/2015	Fischer	D8/17
D780,550 S	*	3/2017	Manor	D8/105
D781,125 S	*	3/2017	Manor	D8/105
D795,665 S	*	8/2017	Henderson, IV	D8/18
D805,868 S	*	12/2017	Seiders	D8/40

* cited by examiner

Primary Examiner — Philip S Hyder

(74) *Attorney, Agent, or Firm* — Schwartz Law Firm, P.C.

(57) **CLAIM**

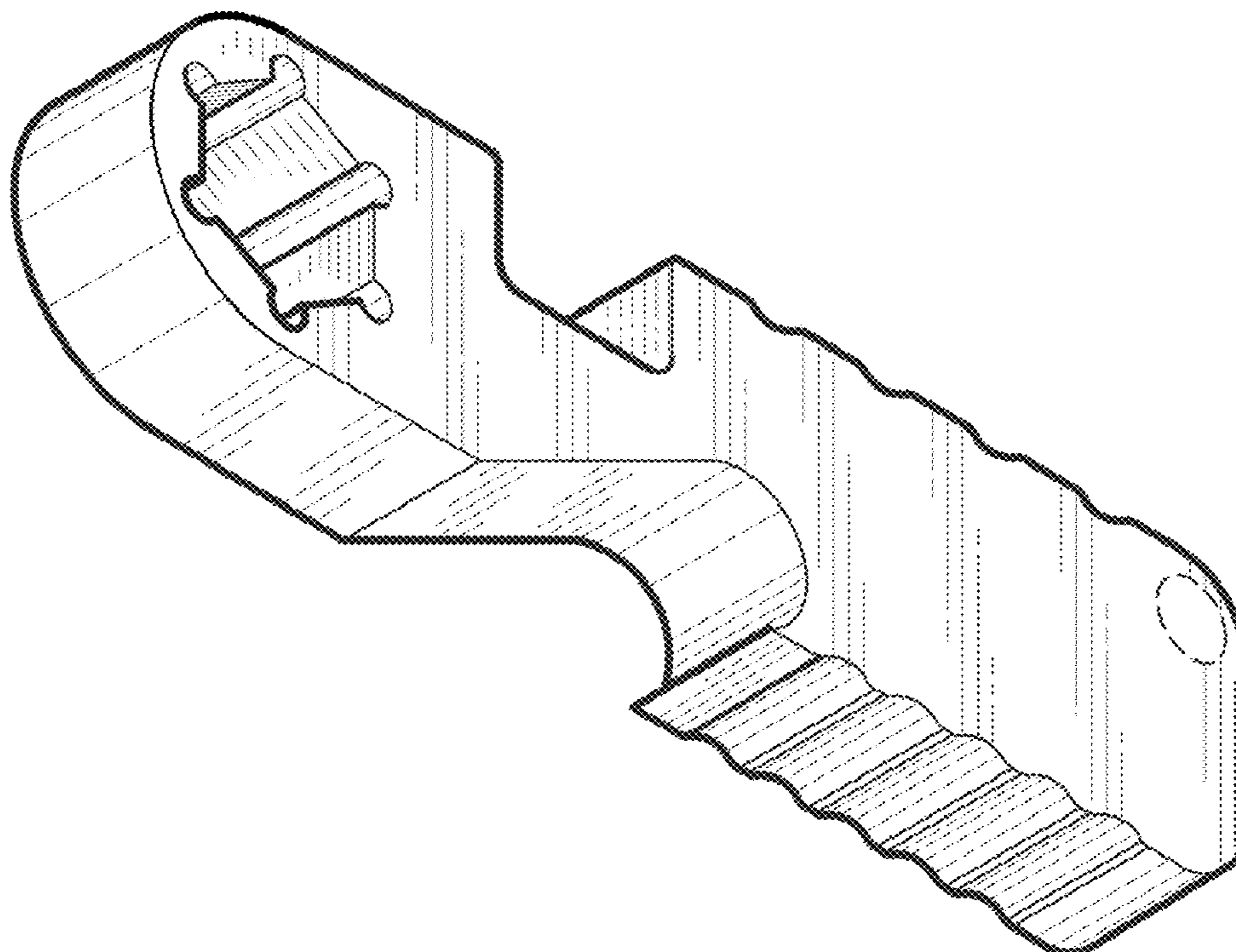
I claim the ornamental design for a hand tool, as shown and described.

DESCRIPTION

FIG. 1 is a first perspective view of the hand tool;
FIG. 2 is a second perspective view of the hand tool;
FIG. 3 is a view showing a first major surface of the hand tool;
FIG. 4 is a first side view of the hand tool;
FIG. 5 is a view showing a second major surface of the hand tool;
FIG. 6 is a second side view of the hand tool;
FIG. 7 is a first end view of the hand tool; and,
FIG. 8 is a second end view of the hand tool.

The broken-line portion shown in the drawings forms no part of the claimed design.

1 Claim, 4 Drawing Sheets



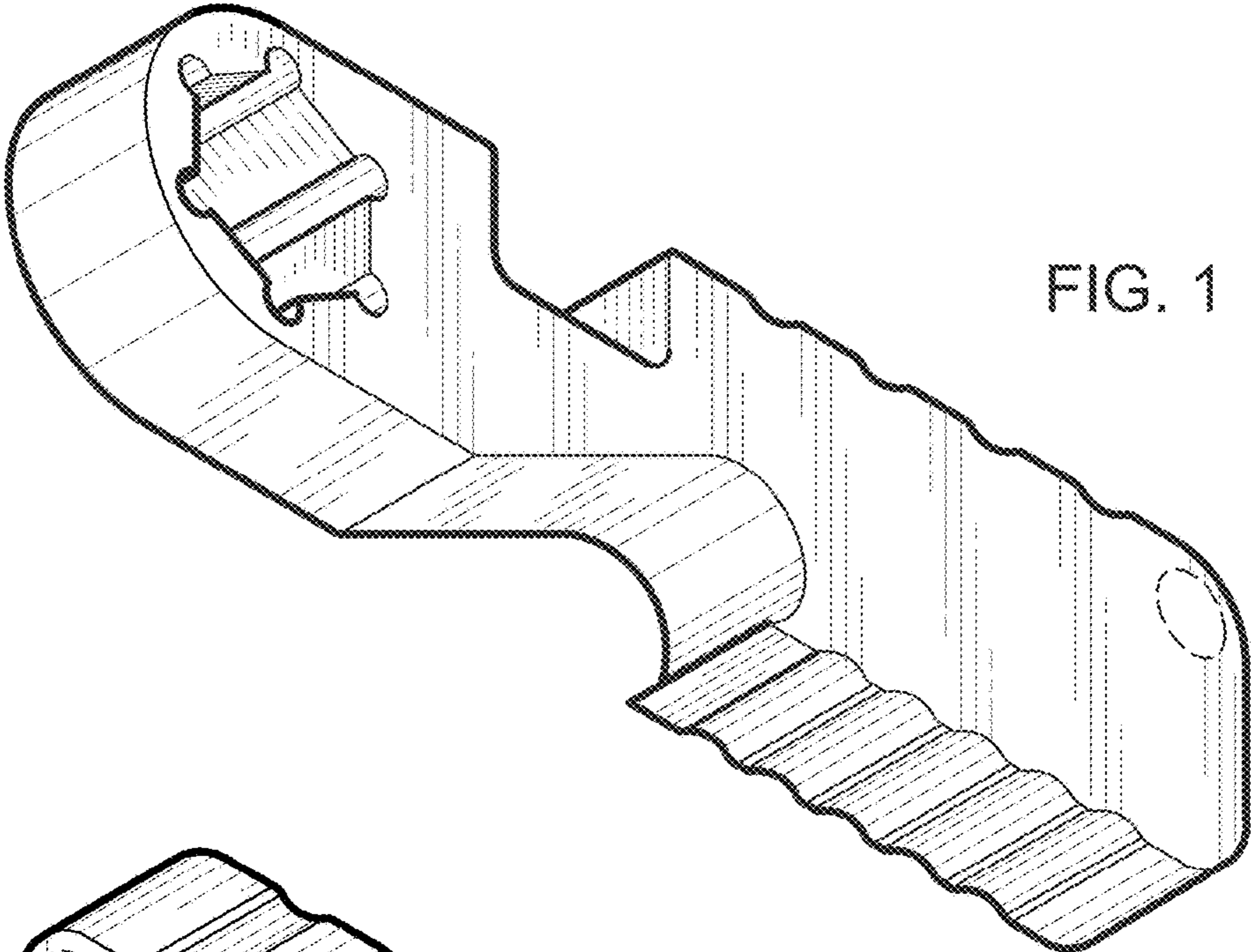


FIG. 1

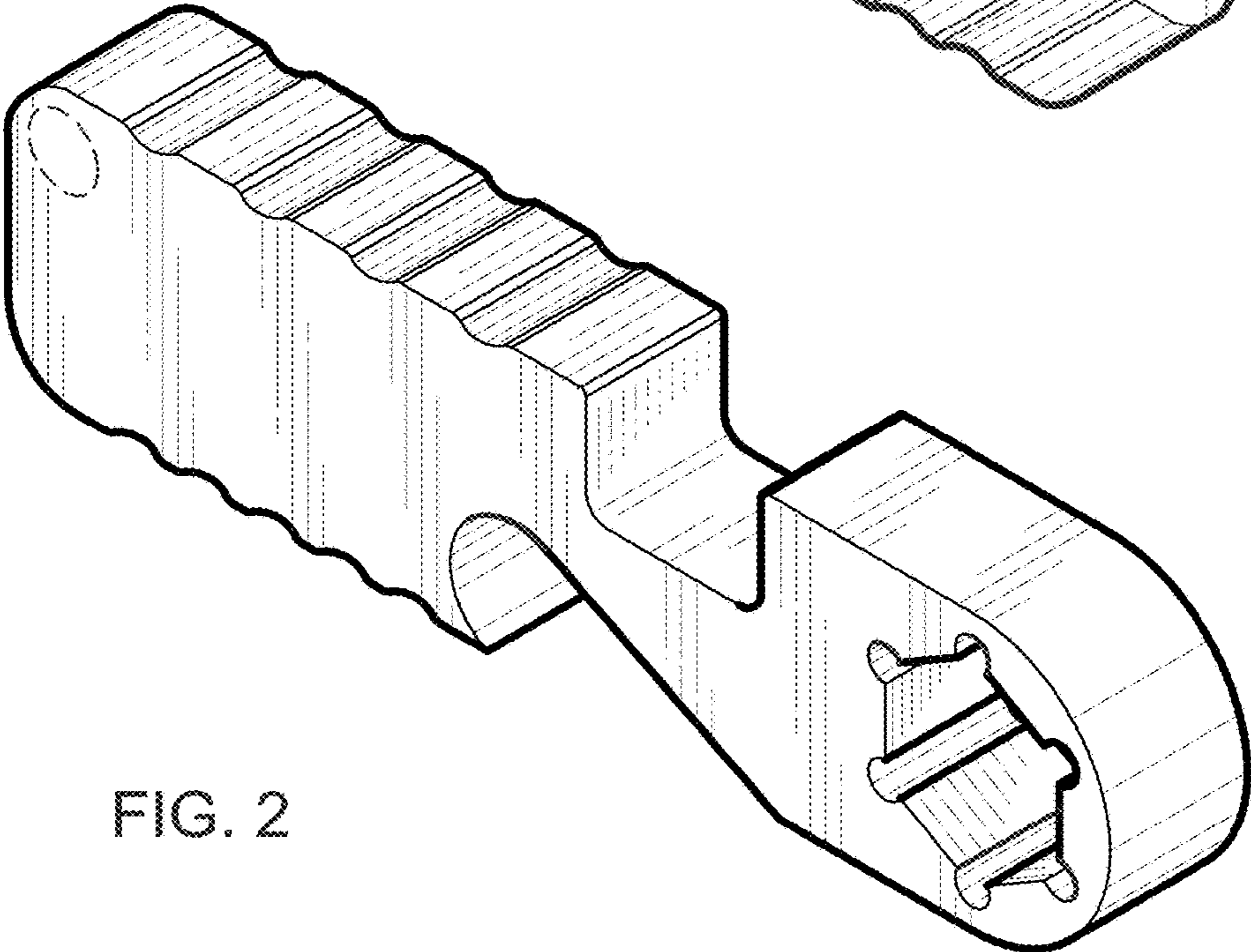


FIG. 2

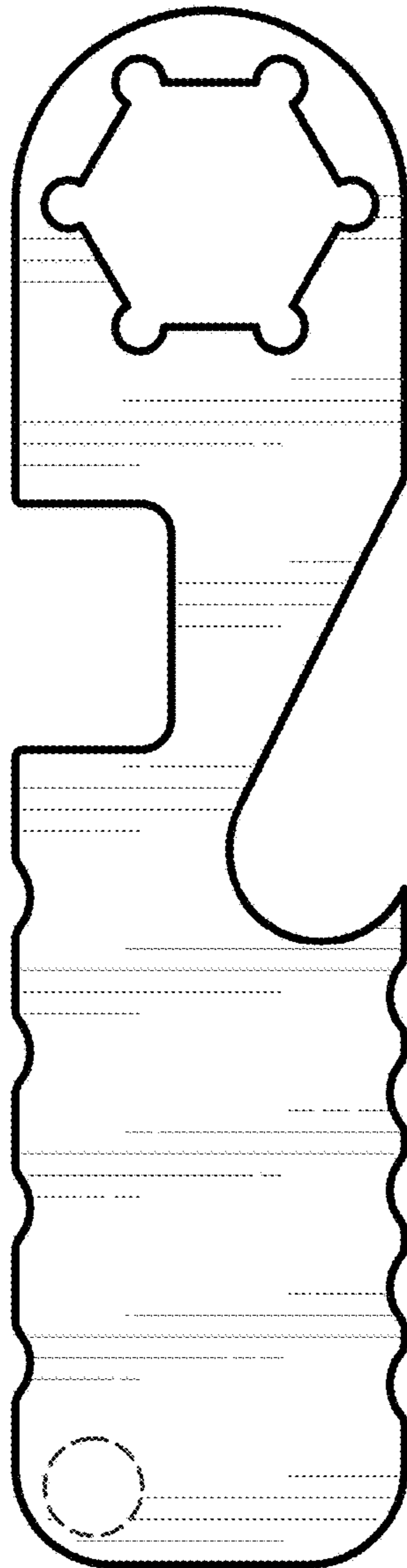


FIG. 3

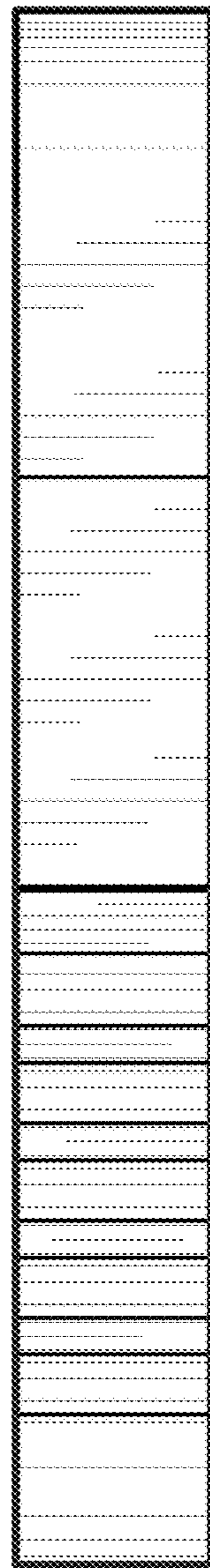


FIG. 4

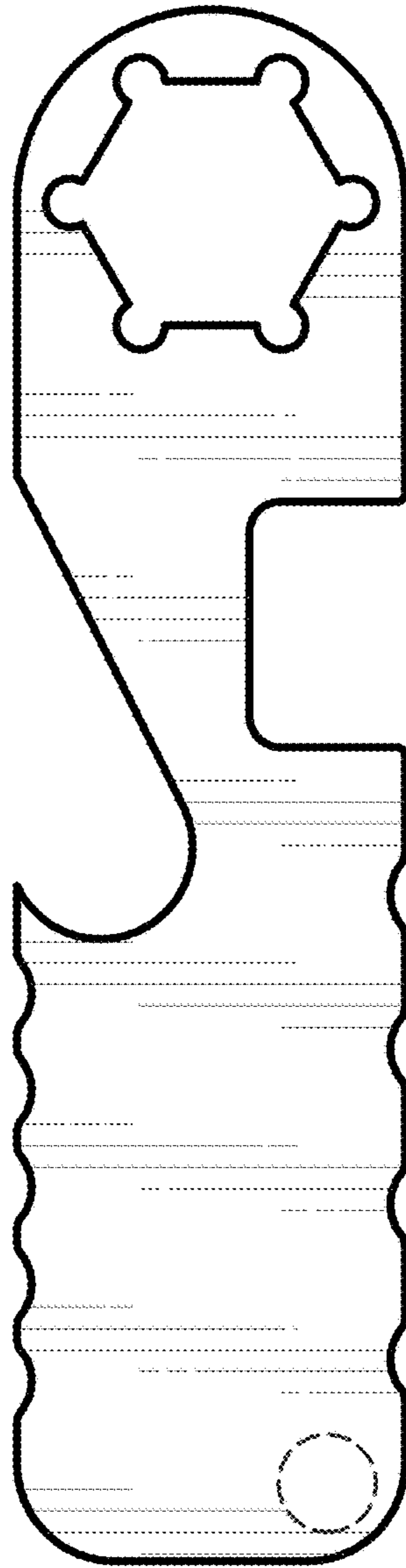


FIG. 5

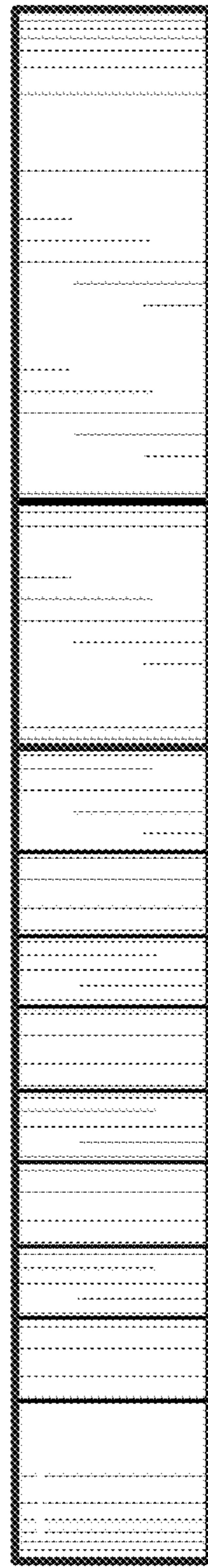


FIG. 6

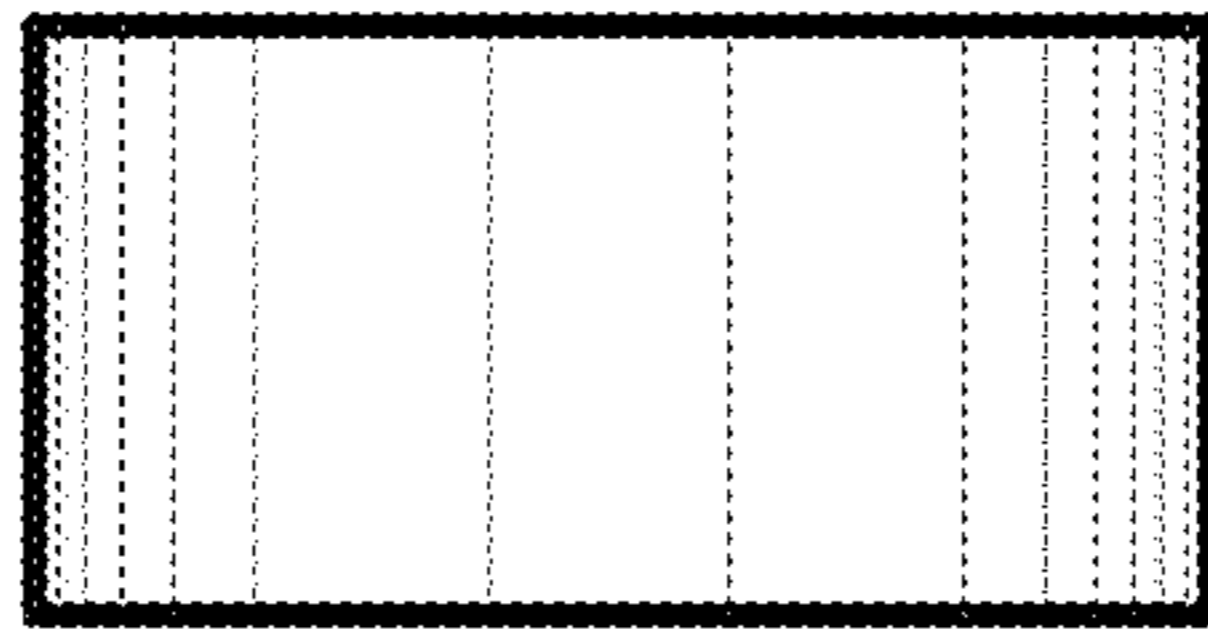


FIG. 7

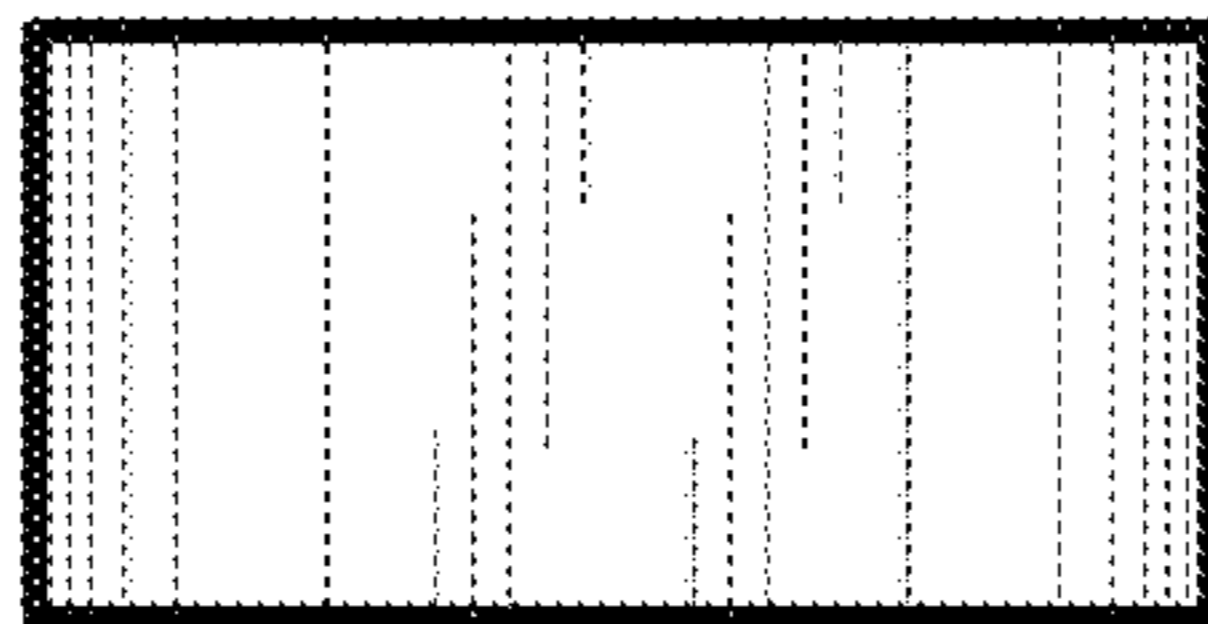


FIG. 8