



US00D837616S

(12) **United States Design Patent**
McMahon

(10) **Patent No.:** **US D837,616 S**
(45) **Date of Patent:** **** Jan. 8, 2019**

- (54) **KNIFE BLADE WITH HANDLE**
- (71) Applicant: **Easy Slice, LLC**, Melbourne, FL (US)
- (72) Inventor: **Phillip J. McMahon**, Melbourne, FL (US)
- (73) Assignee: **Easy Slice, LLC**, Melbourne, FL (US)
- (**) Term: **15 Years**
- (21) Appl. No.: **29/640,718**
- (22) Filed: **Mar. 16, 2018**

Related U.S. Application Data

- (62) Division of application No. 29/581,622, filed on Oct. 20, 2016, now Pat. No. Des. 814,886.
- (51) **LOC (11) Cl.** **07-03**
- (52) **U.S. Cl.**
USPC **D7/650; D7/649**
- (58) **Field of Classification Search**
USPC D7/393-395, 401.2, 642-652, 693, D7/695-696; D8/93, 97-100, 107, 300, D8/321; D22/117-118, 149
CPC A01B 1/20; A01B 1/22; A22C 25/006; A47G 21/06; A47G 21/065; A61B 17/3211; A61B 17/3213; B21D 53/64; B25G 1/102; B25G 3/36; B26B 1/00; B26B 1/08; B26B 1/10; B26B 3/00; B26B 3/02; B26B 3/03; B26B 3/04; B26B 3/06; B26B 5/00; B26B 5/001; B26B 5/007; B26B 7/00; B26B 7/005; B26B 9/00; B26B 9/02; B26B 11/00; B26B 11/006; B26B 17/00; B26B 17/006; B26B 29/02
See application file for complete search history.

References Cited

- (56) **U.S. PATENT DOCUMENTS**
495,110 A 4/1893 Hayes et al.
D136,023 S * 7/1943 Phillips D7/696

- D177,743 S * 5/1956 Marx D7/650
 - 2,803,876 A 8/1957 Nelson
 - D248,167 S 6/1978 Kanai
 - D403,204 S * 12/1998 Kwok D7/401.2
- (Continued)

OTHER PUBLICATIONS

Rhineland Cutlery, Old World Craftsmanship, Brochure of knife sets, accessories and individual knives, RhinelandCutlery.com, 345 Stan Drive, Melbourne, FL, 32904, 2014, 4 pages.

Primary Examiner — Ricky Pham

(74) *Attorney, Agent, or Firm* — Brian S. Steinberger; Law Offices of Brian S. Steinberger, P.A.

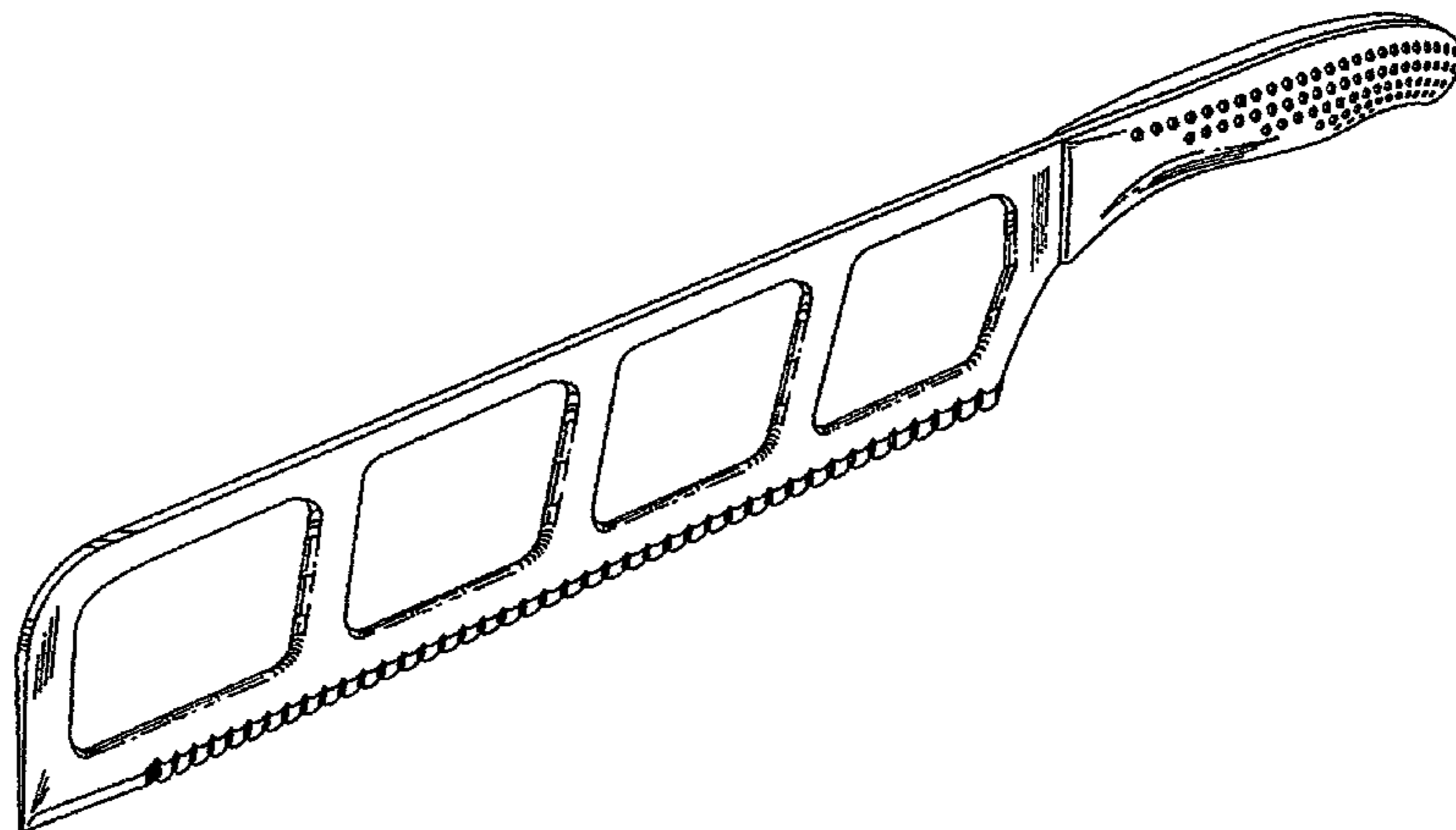
(57) **CLAIM**

The ornamental design for a knife blade with handle, as shown and described.

DESCRIPTION

FIG. 1 is an upper left front perspective view of a knife blade with handle;
 FIG. 2 is an upper left rear perspective view of the knife blade with handle of FIG. 1.
 FIG. 3 is a lower left front perspective view of the knife blade with handle of FIG. 1.
 FIG. 4 is a lower right rear perspective view of the knife blade with handle of FIG. 1.
 FIG. 5 is a left side view of the knife blade with handle of FIG. 1.
 FIG. 6 is a right side view of the knife blade with handle of FIG. 1.
 FIG. 7 is a top view of the knife blade with handle of FIG. 1.
 FIG. 8 is a bottom view of the knife blade with handle of FIG. 1.
 FIG. 9 is an enlarged rear end view of the knife blade with handle of FIG. 1; and,
 FIG. 10 is an enlarged front end view of the knife blade with handle of FIG. 1.

1 Claim, 5 Drawing Sheets



(56)

References Cited

U.S. PATENT DOCUMENTS

D403,559	S	*	1/1999	Terenzio	D7/650
D439,806	S		4/2001	Juhlin et al.	
D500,233	S	*	12/2004	Overthun	D7/650
D525,088	S		7/2006	Fort et al.	
D545,637	S	*	7/2007	Curtin	D7/650
D552,430	S	*	10/2007	Chen	D7/649
D554,949	S		11/2007	Hood	
D573,850	S		7/2008	Curtin	
D581,732	S		12/2008	Epstein	
D581,733	S		12/2008	Epstein	
D600,506	S		9/2009	Miltner et al.	
D602,748	S	*	10/2009	Schmidt	D7/649
D639,616	S	*	6/2011	Krapfl	D7/401.2
D643,256	S		8/2011	Hirai	
D643,261	S	*	8/2011	Spiegel	D7/649
D692,731	S		11/2013	Solari	
D704,010	S		5/2014	Shahani	
D732,901	S		6/2015	Shahani	
D770,216	S		11/2016	Yang	
D770,217	S		11/2016	Yang	
D770,218	S		11/2016	Yang	
D770,219	S		11/2016	Yang	
D770,834	S		11/2016	Yang	
D770,835	S		11/2016	Yang	
D770,836	S		11/2016	Yang	
D770,837	S		11/2016	Yang	
D770,838	S		11/2016	Yang	
D798,675	S		10/2017	Aldous et al.	
D814,886	S	*	4/2018	McMahon	D7/650

* cited by examiner

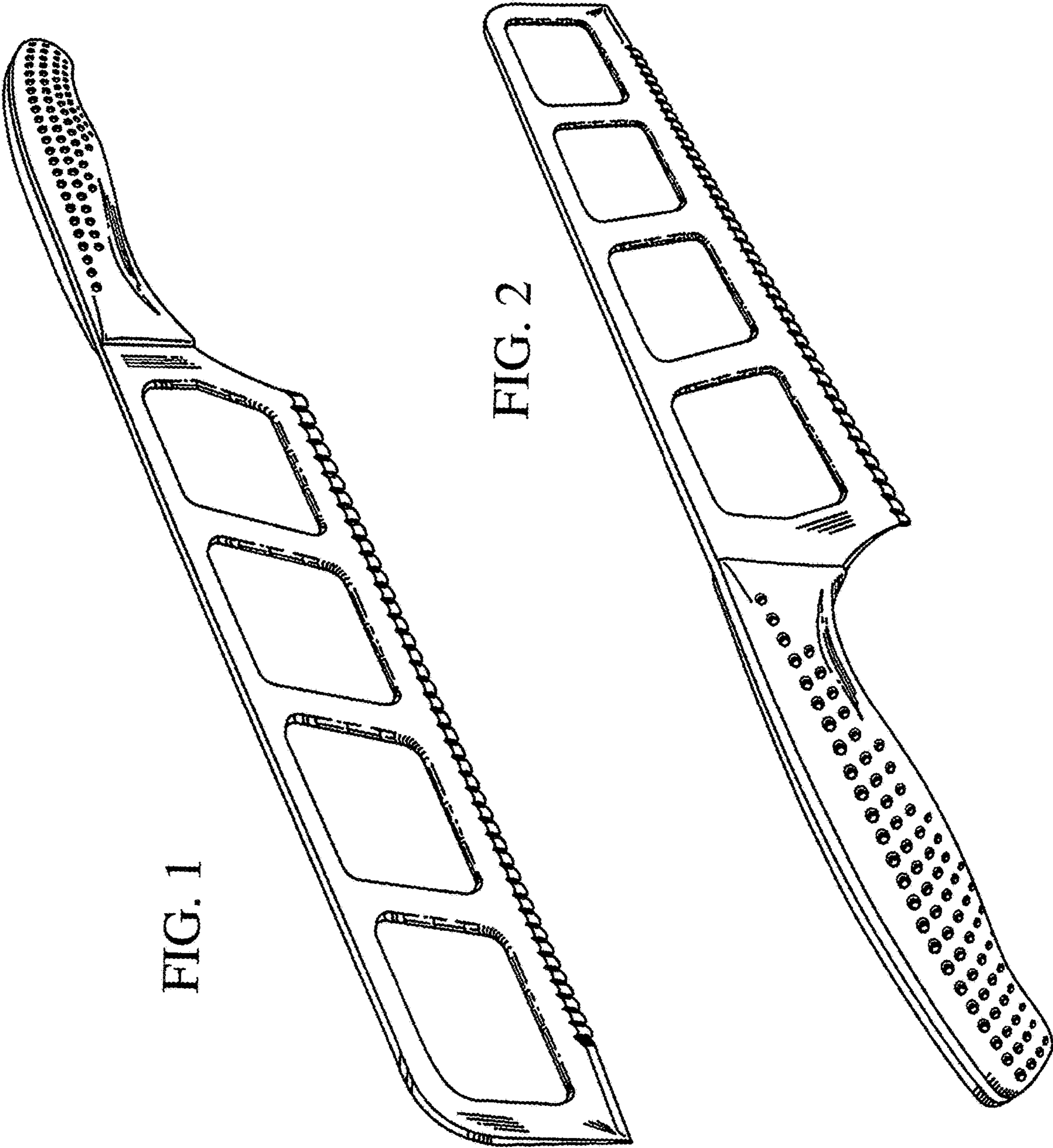


FIG. 1

FIG. 2

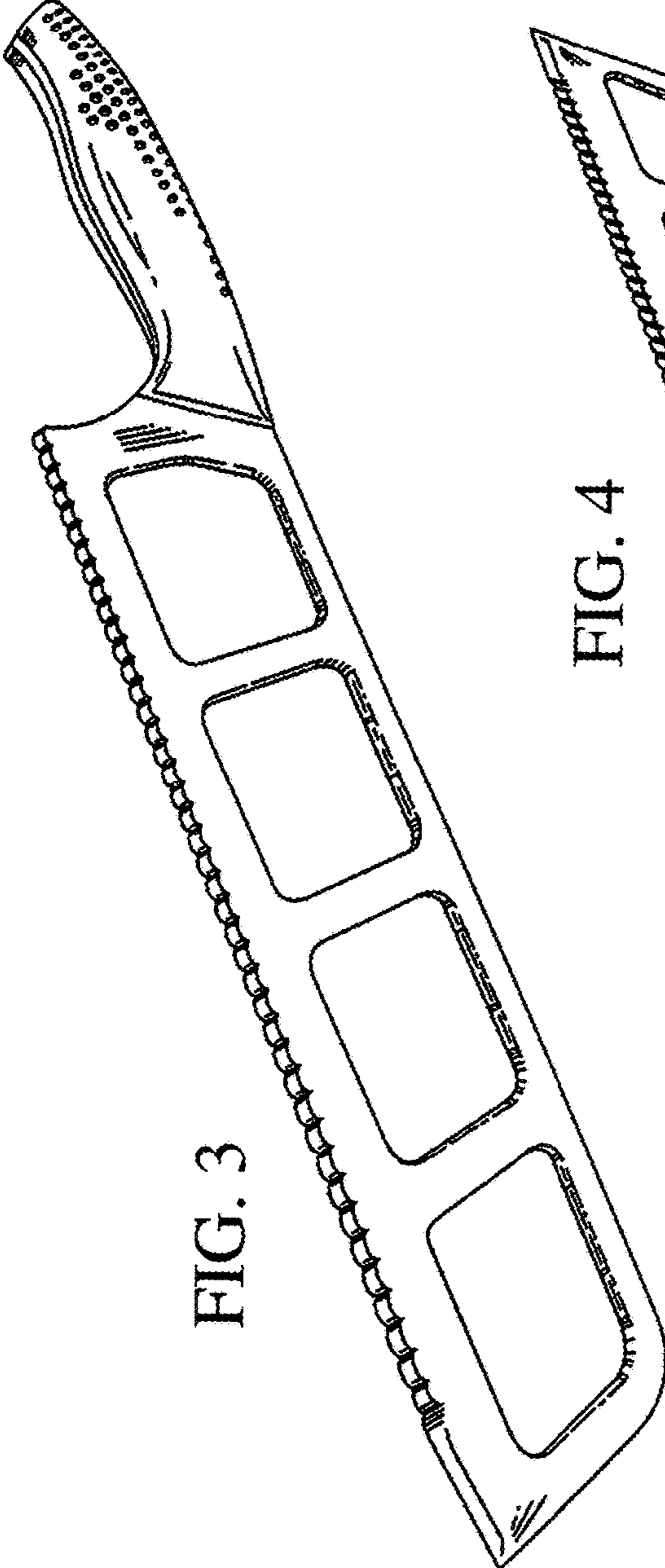


FIG. 3

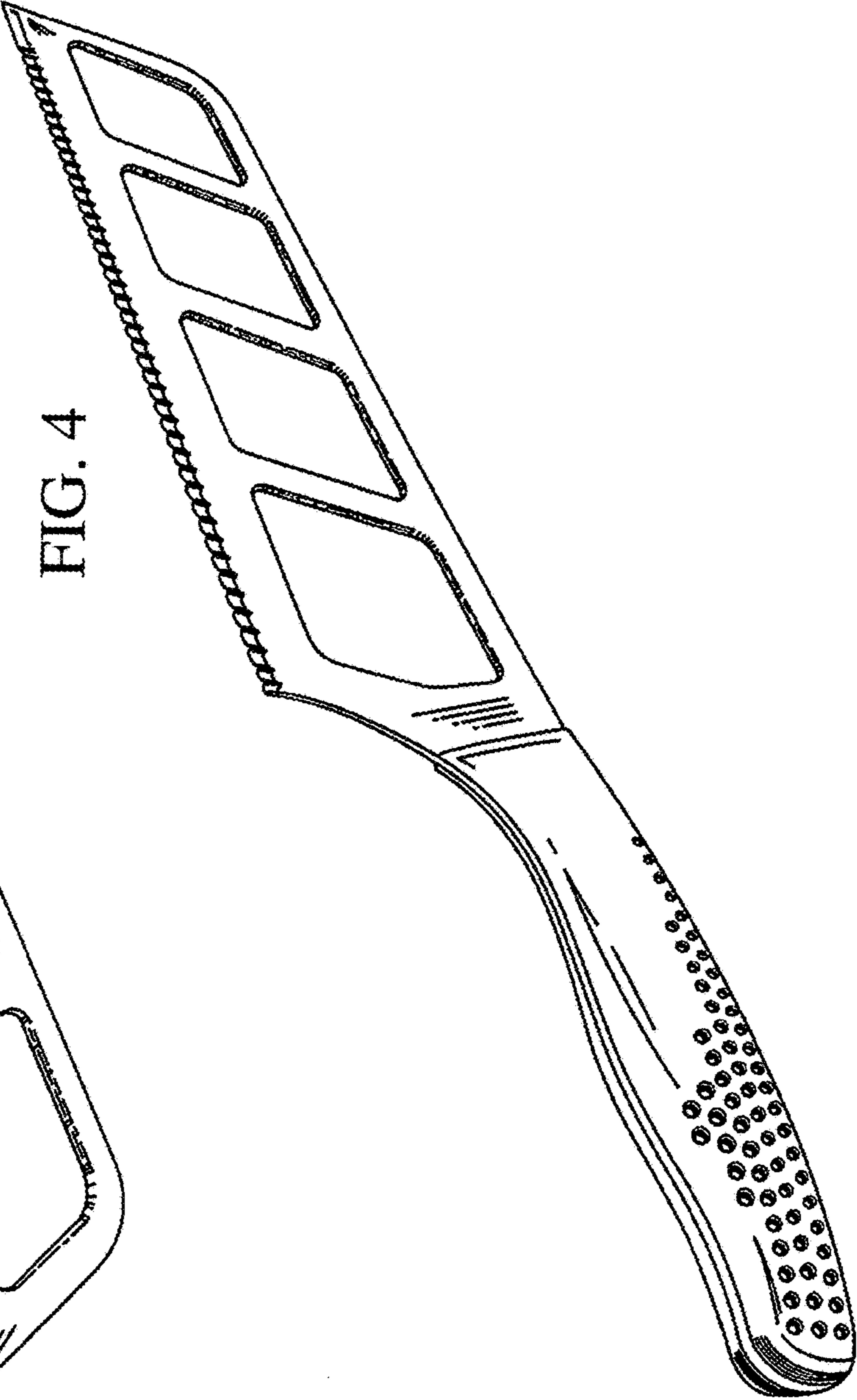


FIG. 4

FIG. 5

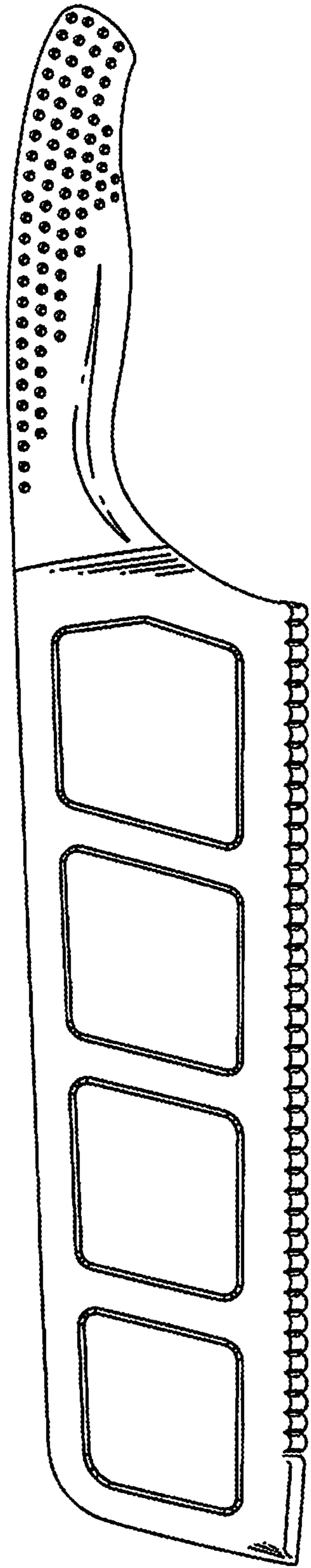


FIG. 6

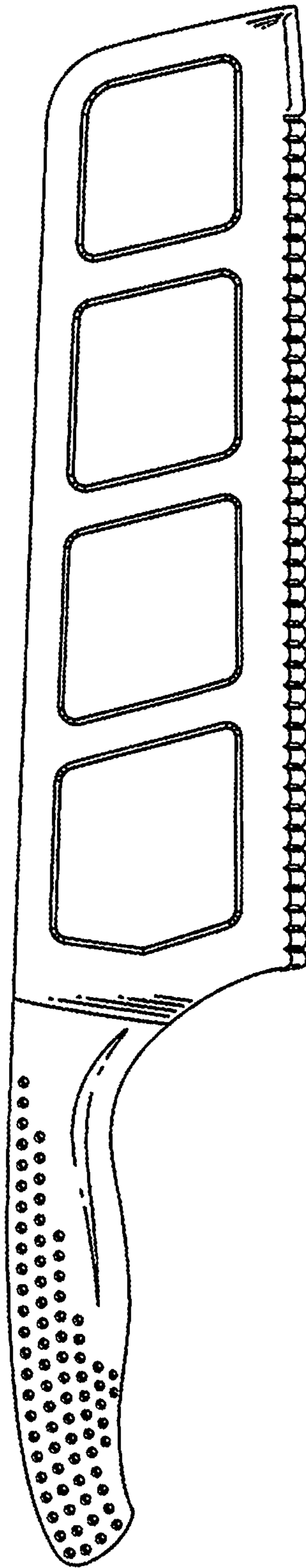


FIG. 7

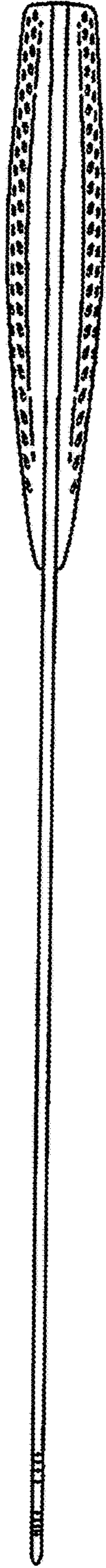


FIG. 8

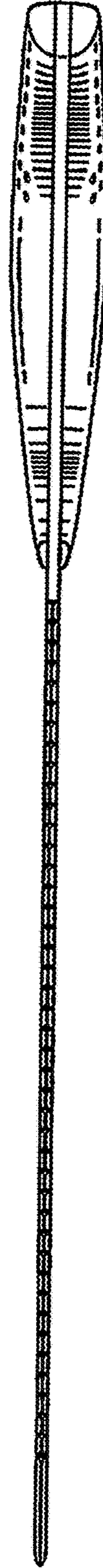


FIG. 10

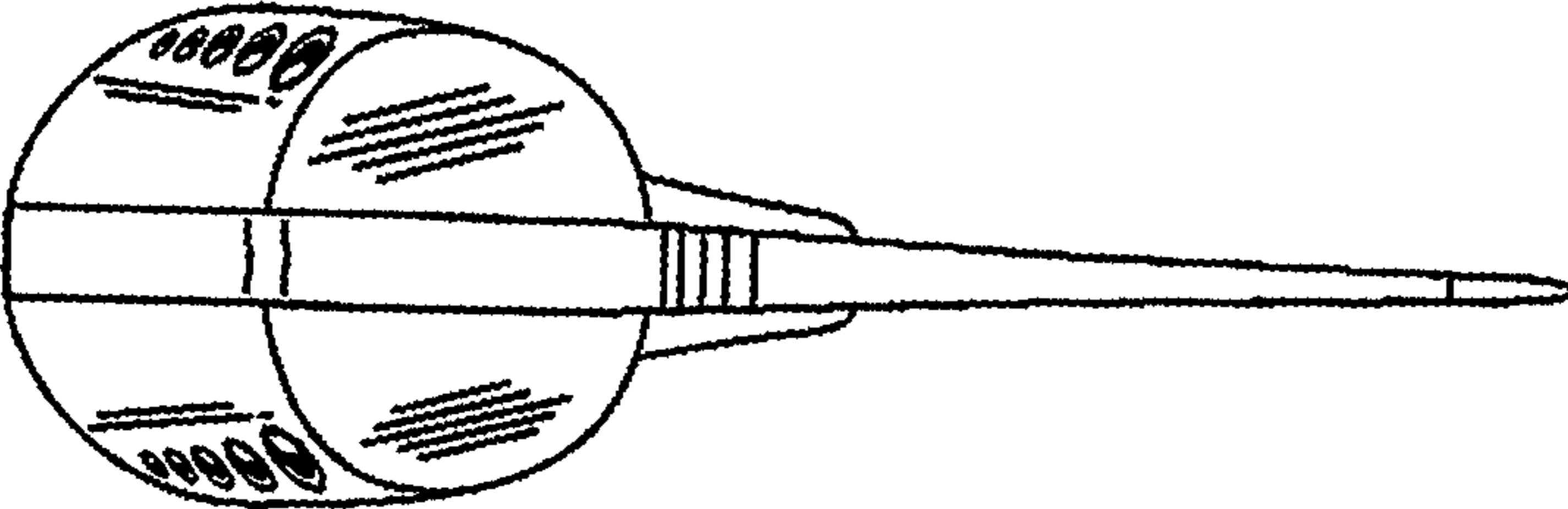


FIG. 9

