



US00D837614S

(12) **United States Design Patent**  
**Nichols**

(10) **Patent No.:** **US D837,614 S**  
(45) **Date of Patent:** **\*\* Jan. 8, 2019**

(54) **CUP HOLDER**

(71) Applicant: **YETI Coolers, LLC**, Austin, TX (US)

(72) Inventor: **Steve Charles Nichols**, Austin, TX (US)

(73) Assignee: **YETI Coolers, LLC**, Austin, TX (US)

(\*\*) Term: **15 Years**

(21) Appl. No.: **29/625,275**

(22) Filed: **Nov. 8, 2017**

(51) **LOC (11) Cl.** ..... **07-06**

(52) **U.S. Cl.**  
USPC ..... **D7/620**

(58) **Field of Classification Search**  
USPC ..... D7/619.1-625, 701-709; D12/411, 419  
CPC . A47C 7/68; A47G 23/02; B60N 3/10; B60N 3/102; B60N 3/103; B60N 3/106; Y10S 224/926

See application file for complete search history.

(56) **References Cited**

**U.S. PATENT DOCUMENTS**

2,995,333 A	8/1961	Pazzano	
3,021,106 A	2/1962	Kramer	
3,317,171 A	5/1967	Kramer	
3,698,675 A	10/1972	Lerew et al.	
3,881,677 A	5/1975	Ihlenfeld	
4,063,701 A	12/1977	Wray	
4,270,724 A	6/1981	McMullen	
4,535,923 A *	8/1985	Manke	B60N 3/103 224/272
4,560,128 A	12/1985	Willeby et al.	
4,697,780 A	10/1987	Wenkman et al.	
4,728,147 A	3/1988	Dutton	
4,767,092 A	8/1988	Weatherly	
4,878,642 A *	11/1989	Kirby, Jr.	A47K 1/08 248/311.2
4,887,784 A *	12/1989	Kayali	B60N 3/102 248/311.2

4,997,156 A	3/1991	Allen
5,356,107 A	10/1994	Sinoheiz
D353,840 S	12/1994	Dietterich et al.
D373,935 S	9/1996	Cole et al.

(Continued)

**FOREIGN PATENT DOCUMENTS**

DE	202006007366 U1	9/2006
WO	12053989 A2	4/2012

**OTHER PUBLICATIONS**

Website: Scootaround, Inc., "Nitro Rollator Cup Holder Attachment," visited Jan. 5, 2017, <[https://www.scootaroundsales.com/Nitro-Rollator-Cup-Holder-Attachment\\_p\\_396.html](https://www.scootaroundsales.com/Nitro-Rollator-Cup-Holder-Attachment_p_396.html)>.

(Continued)

*Primary Examiner* — Terry A Wallace

(74) *Attorney, Agent, or Firm* — Banner & Witcoff, Ltd.

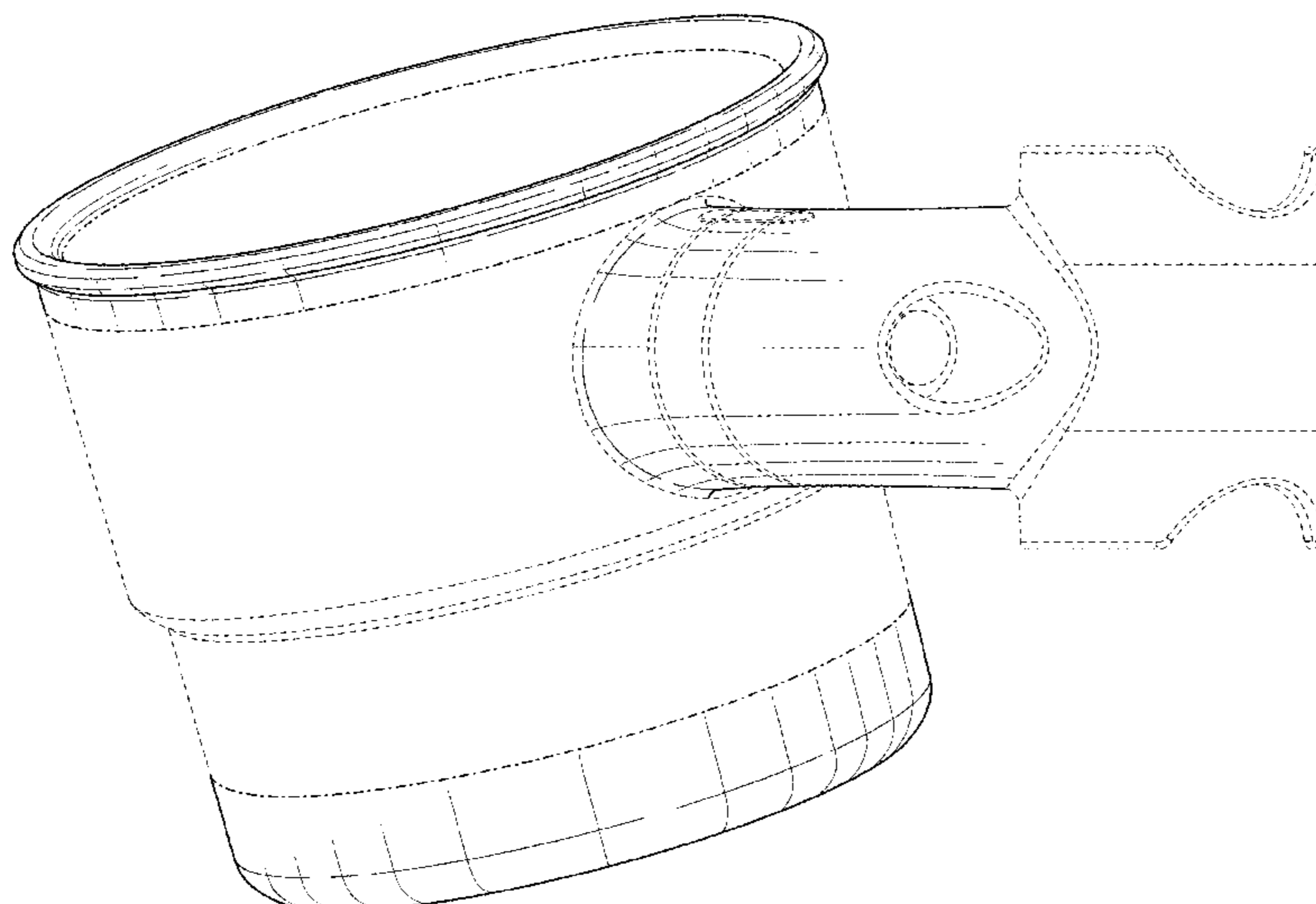
(57) **CLAIM**

The ornamental design for a cup holder, as shown and described.

**DESCRIPTION**

FIG. 1 is a top, front, right perspective view of a cup holder showing my new design;  
FIG. 2 is a rear view thereof;  
FIG. 3 is a front view thereof;  
FIG. 4 is a right side view thereof;  
FIG. 5 is a left side view thereof;  
FIG. 6 is a top view thereof;  
FIG. 7 is a bottom view thereof; and,  
FIG. 8 is bottom, rear, left perspective view thereof.  
The uneven-length broken lines represent unclaimed boundaries of the claimed design. The even-length broken lines showing the remainder of the cup holder represent unclaimed subject matter and form no part of the claimed design.

**1 Claim, 5 Drawing Sheets**



(56)

References Cited

U.S. PATENT DOCUMENTS

5,628,485 A 5/1997 Ray  
 5,688,023 A 11/1997 Blocker, Jr.  
 5,695,162 A 12/1997 DiCastro  
 5,813,646 A 9/1998 Bartholomae  
 5,842,671 A 12/1998 Gibbs  
 D404,975 S 2/1999 Fegan  
 5,865,124 A 2/1999 Ivroe  
 5,865,412 A 2/1999 Mason  
 5,996,957 A 12/1999 Kurtz  
 6,029,938 A 2/2000 Fava  
 D429,969 S \* 8/2000 Frankel ..... D7/620  
 6,227,511 B1 5/2001 De Costa  
 6,338,419 B1 1/2002 Penney  
 6,375,257 B1 4/2002 Wooding et al.  
 D463,219 S 9/2002 Tsai  
 D470,727 S \* 2/2003 Bartley ..... D7/620  
 D476,860 S \* 7/2003 Groendyke ..... D7/620  
 6,601,813 B1 8/2003 Kager et al.  
 6,648,290 B1 11/2003 Aleman  
 6,663,068 B2 12/2003 Huang  
 D511,439 S 11/2005 Roybal  
 7,090,183 B2 8/2006 Heybl et al.  
 7,284,737 B2 10/2007 Kane  
 D600,077 S 9/2009 Barnes, Jr.  
 7,959,121 B1 6/2011 Barnes, Jr.  
 8,066,148 B2 11/2011 Garahan  
 D654,322 S \* 2/2012 Duncan ..... D7/620  
 D673,816 S \* 1/2013 Phillips ..... D7/620  
 D679,146 S 4/2013 Rincon  
 8,430,366 B2 4/2013 Tincher  
 8,500,076 B2 8/2013 Lai  
 8,636,319 B1 1/2014 Parker, Jr.  
 8,905,471 B2 12/2014 Tang  
 8,979,190 B2 3/2015 Madrigal et al.  
 D727,110 S 4/2015 Henry et al.  
 D727,111 S 4/2015 Henry et al.  
 9,004,433 B2 4/2015 Krieger  
 9,259,092 B2 2/2016 Choi

9,345,353 B2 5/2016 Forbes et al.  
 9,428,207 B2 8/2016 Hartenstine et al.  
 9,468,297 B2 10/2016 Grace  
 9,532,654 B1 1/2017 Adams, IV et al.  
 9,642,485 B2 5/2017 Kuznicki, Jr.  
 2001/0032915 A1 10/2001 Clifford  
 2004/0129852 A1 7/2004 Giampavolo  
 2005/0051690 A1 3/2005 Phillips et al.  
 2009/0014611 A1 1/2009 Hampton  
 2010/0096521 A1 4/2010 White et al.  
 2011/0121619 A1 5/2011 Chappell  
 2014/0175139 A1 6/2014 Pereira  
 2014/0246550 A1 9/2014 Thier et al.  
 2014/0361583 A1 12/2014 Martus et al.  
 2016/0045048 A1 2/2016 Katz

OTHER PUBLICATIONS

Website: Nordstrom, Inc., "Liquid Holster Self Leveling Cup Holder for City Select® Stroller," visited Jan. 5, 2017, <<http://shop.nordstrom.com/s/baby-jogger-liquid-holster-self-leveling-cup-holder-for-city-select-stroller/4465499?origin=category-personalizedsort&fashioncolor=black>>.  
 Website: Toys"R"Us, "Quinny Stroller Cupholder," visited Jan. 5, 2017, <<https://t.toysrus.com/product?productId=17078546>>.  
 Website: Cheeky Rascals, Image/jpg of "Mima Accessory Cup Holder," visited Jan. 5, 2017, <[http://images.cheekyrascals.co.uk/images/product\\_shots/mima/mima\\_accessory\\_cup\\_holder.jpg](http://images.cheekyrascals.co.uk/images/product_shots/mima/mima_accessory_cup_holder.jpg)>.  
 Website: 93y.ru., "Surf Silver Cross," visited Jan. 5, 2017, <<http://93y.ru/223101-podstakannik-surf-silver-cross.html>>.  
 Website: Linio, "Portavasos de Bicicleta, Motocicleta y Carreolas," visited Jan. 5, 2017, <<https://www.linio.com.mx/p/portavasos-de-bicicleta-motocicleta-y-carreolas-tmqk8f>>.  
 Website: Adverts, "Bugaboo Cup Holder," visited Jan. 5, 2017, <<http://www.adverts.ie/buggies/bugaboo-cup-holder/9897502>>.  
 Website: Babyhome, "Cup Holder," visited Jan. 5, 2017, <<http://babyhome.es/qa/en/products/cup-holder>>.

\* cited by examiner

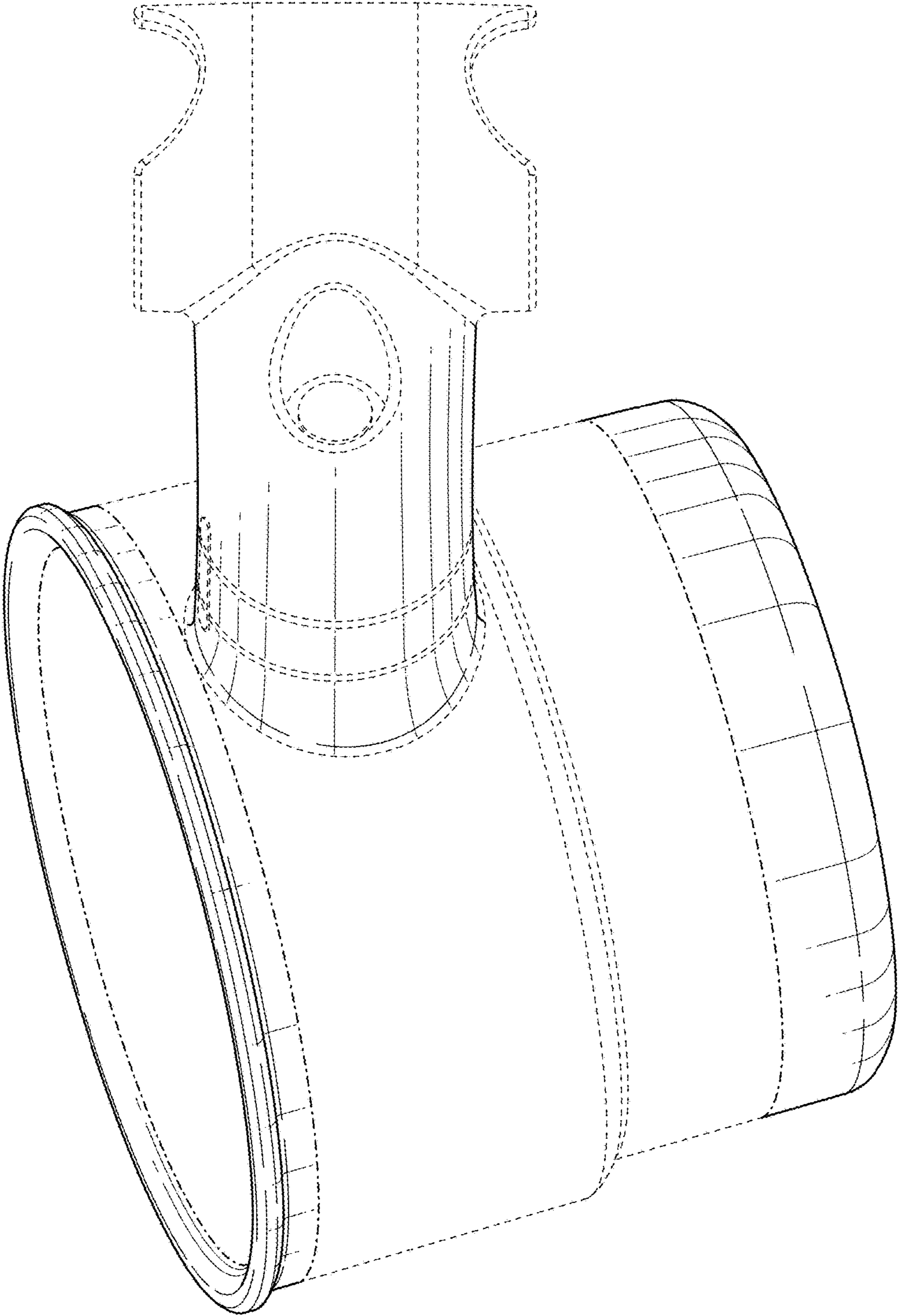


FIG. 1

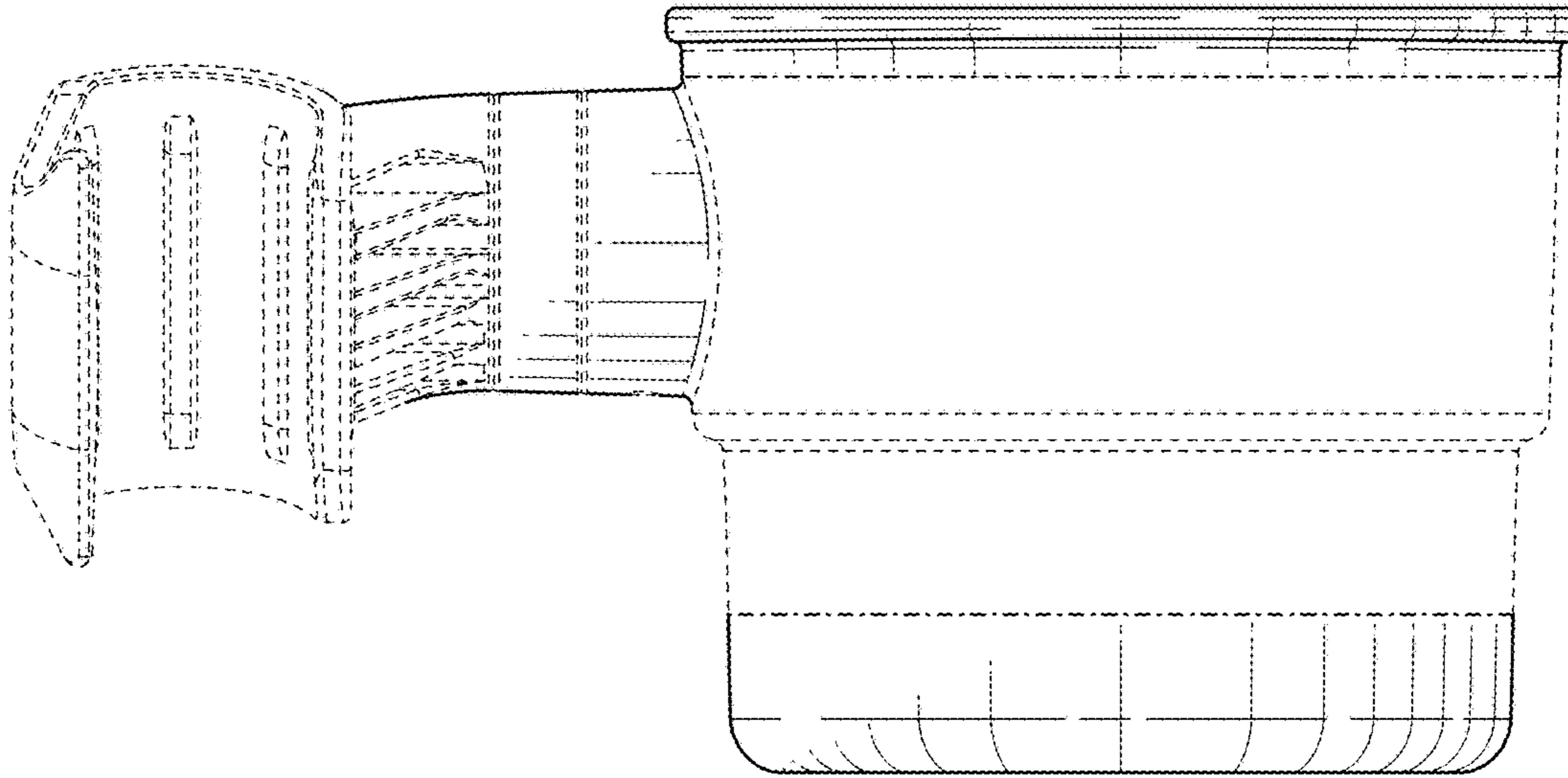


FIG. 2

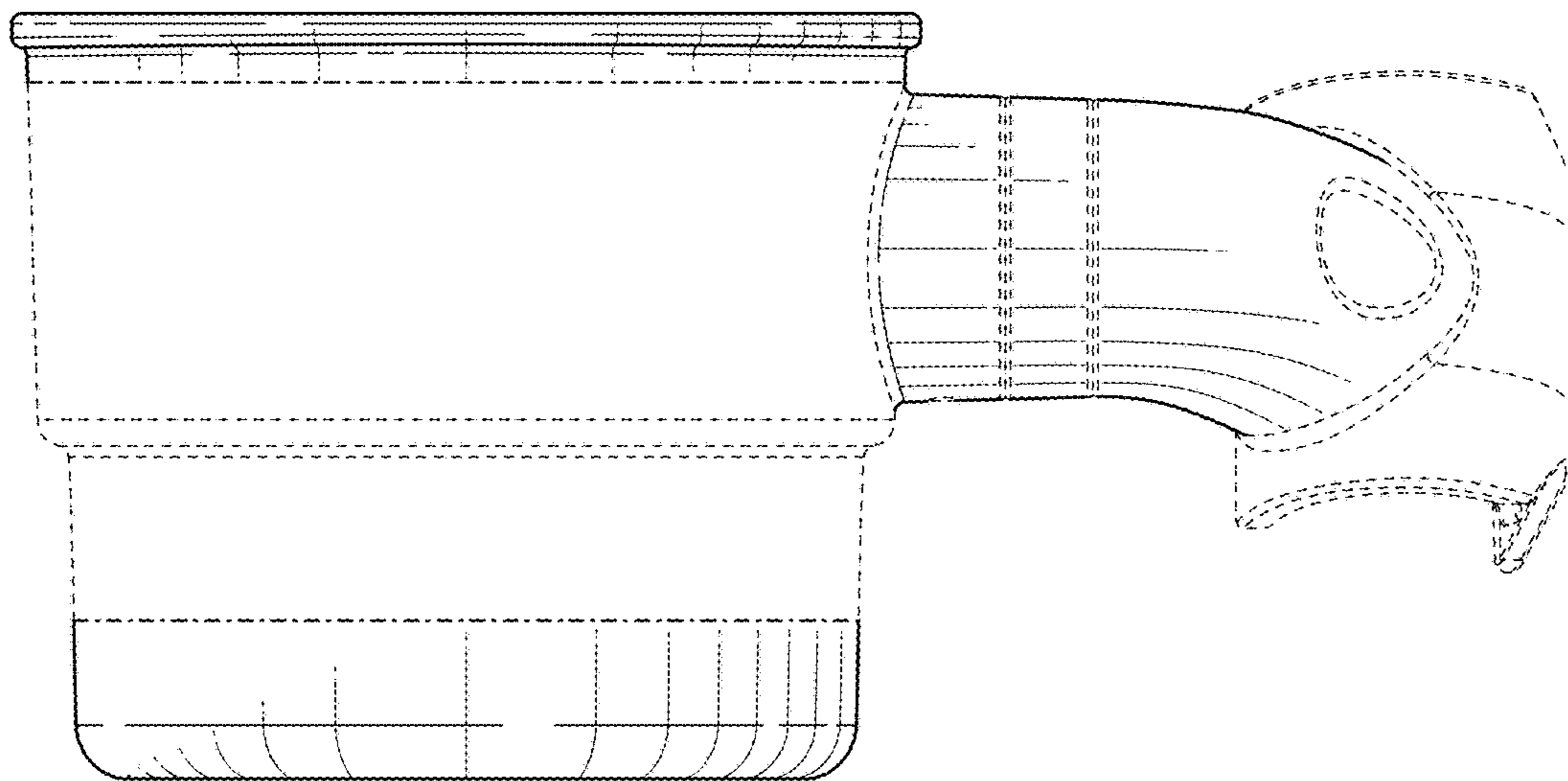


FIG. 3

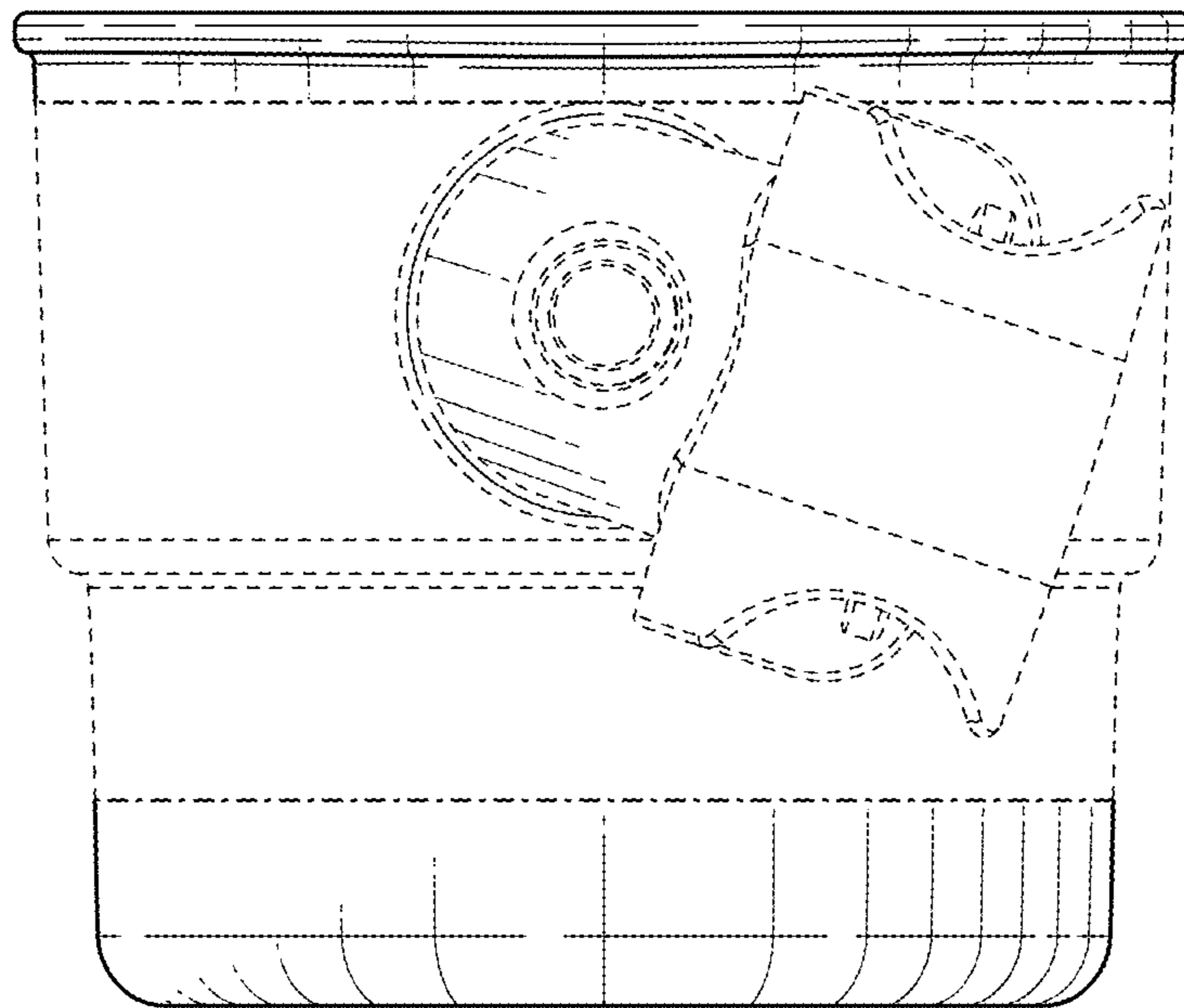


FIG. 4

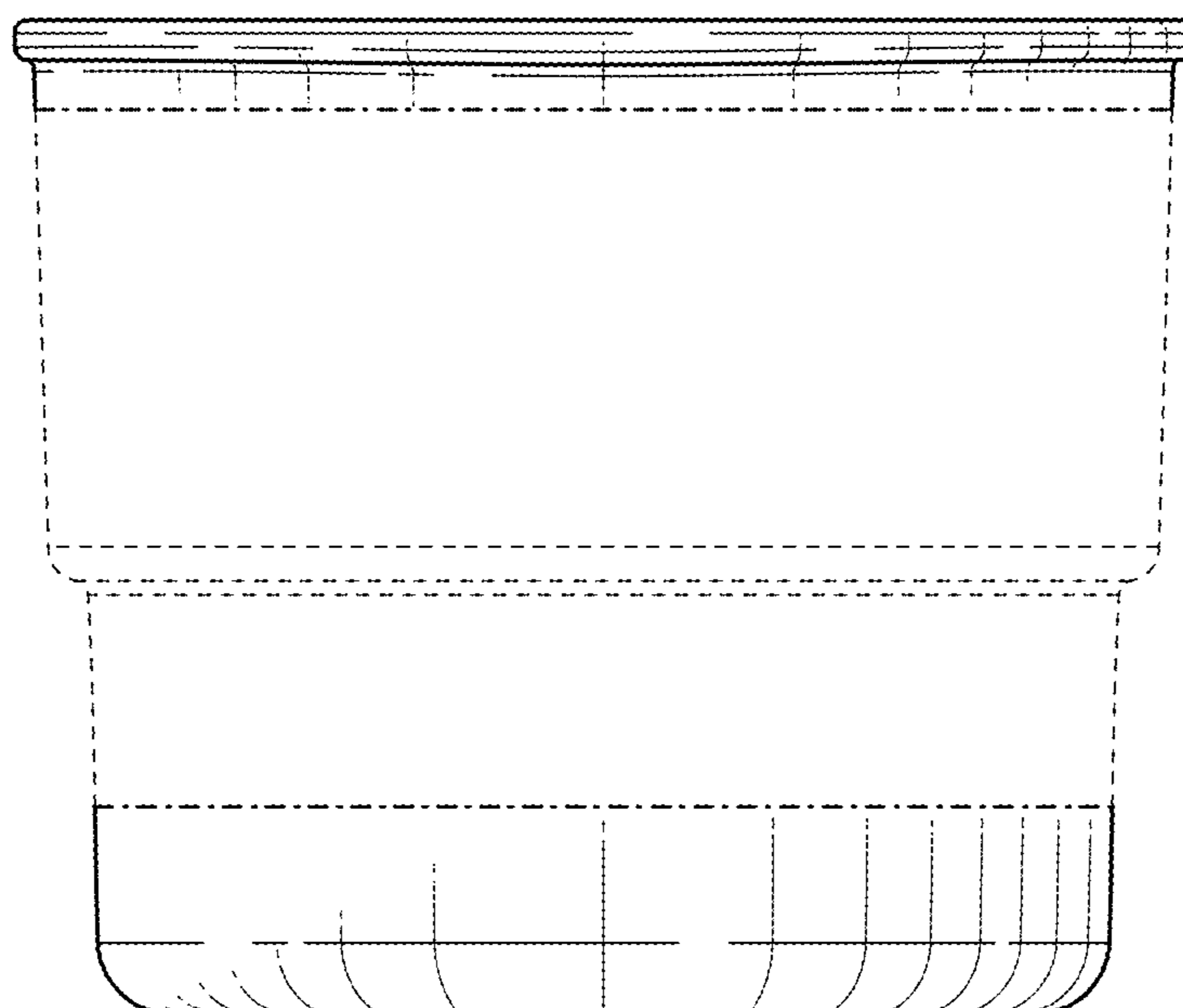


FIG. 5

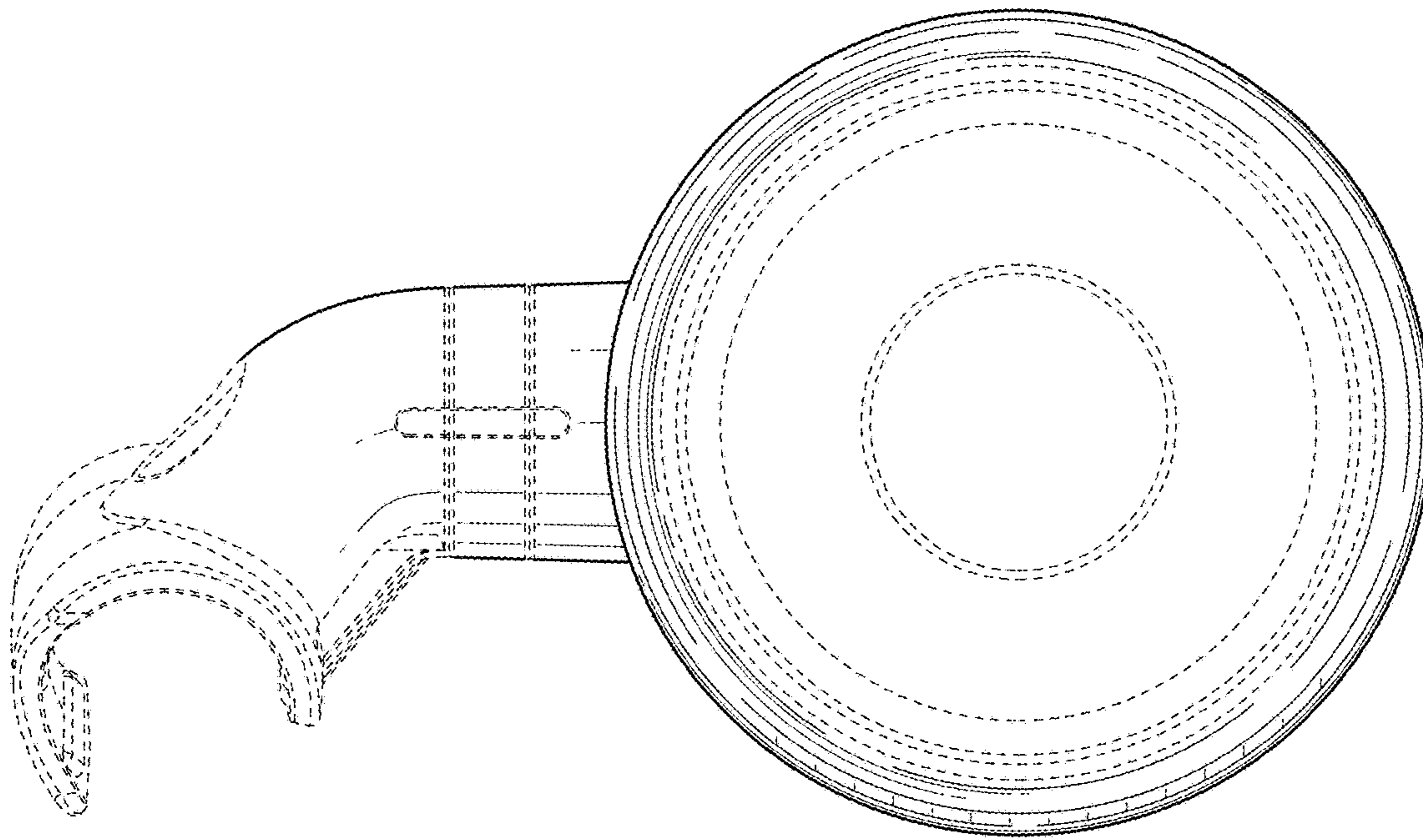


FIG. 6

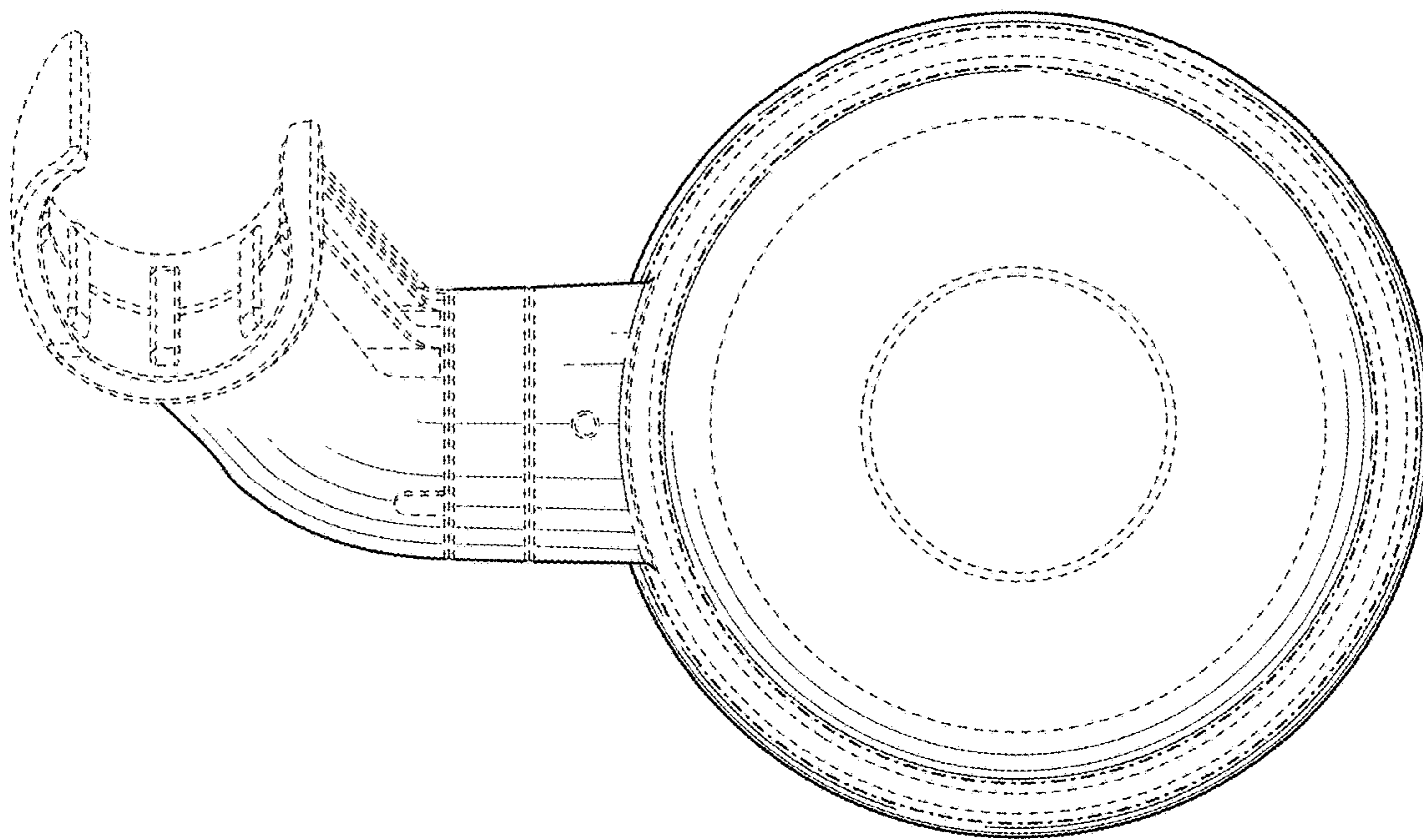


FIG. 7

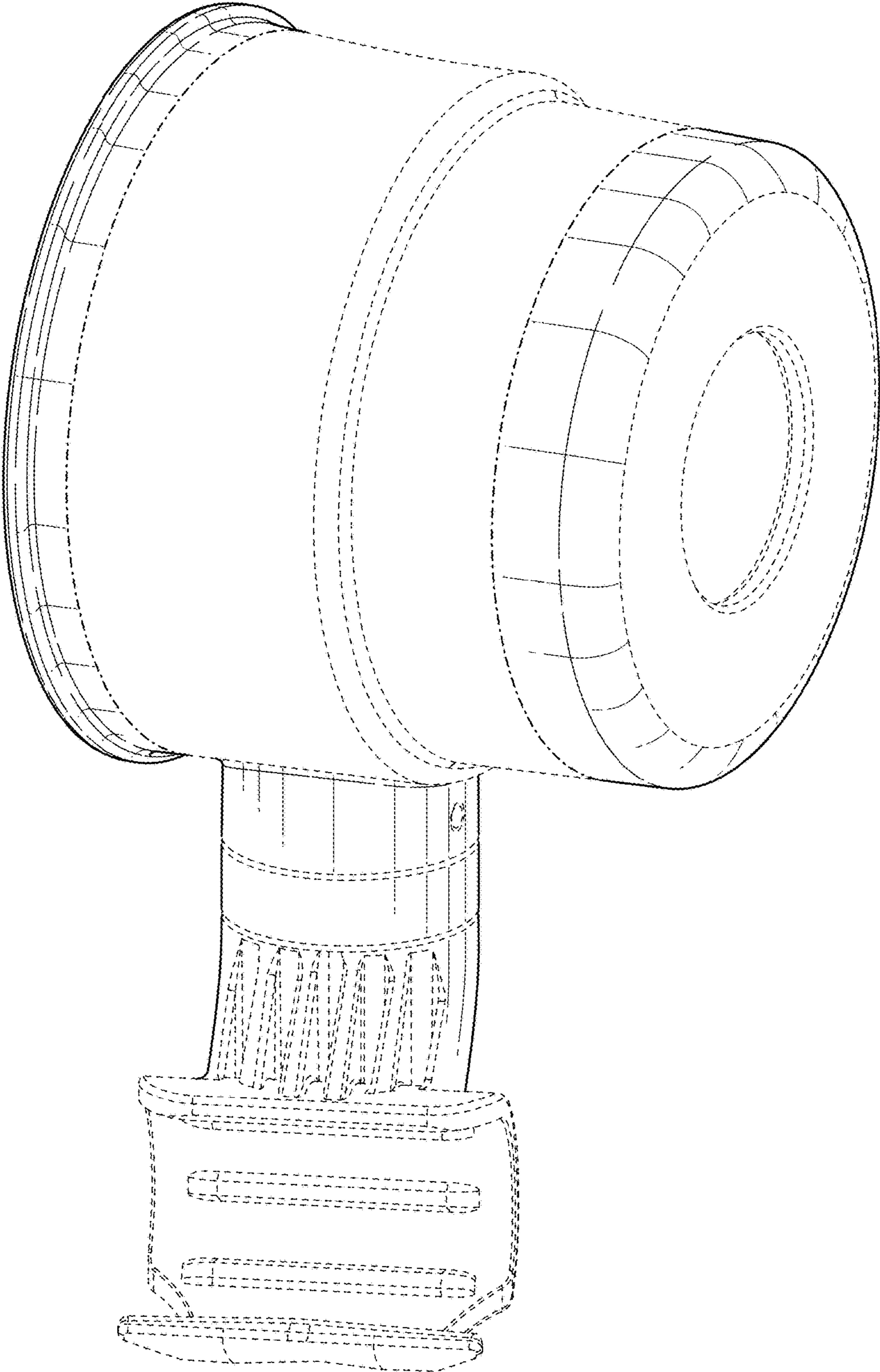


FIG. 8