



US00D837613S

(12) **United States Design Patent**
Nichols

(10) **Patent No.:** **US D837,613 S**

(45) **Date of Patent:** **** Jan. 8, 2019**

(54) **CUP HOLDER**

(71) Applicant: **YETI Coolers, LLC**, Austin, TX (US)

(72) Inventor: **Steve Charles Nichols**, Austin, TX (US)

(73) Assignee: **YETI Coolers, LLC**, Austin, TX (US)

(**) Term: **15 Years**

(21) Appl. No.: **29/625,272**

(22) Filed: **Nov. 8, 2017**

(51) **LOC (11) Cl.** **07-06**

(52) **U.S. Cl.**
USPC **D7/620**

(58) **Field of Classification Search**
USPC D7/619.1-625, 701-709; D12/411, 419
CPC . A47C 7/68; A47G 23/02; B60N 3/10; B60N 3/102; B60N 3/103; B60N 3/106; Y10S 224/926

See application file for complete search history.

(56) **References Cited**

U.S. PATENT DOCUMENTS

2,995,333 A	8/1961	Pazzano	
3,021,106 A	2/1962	Kramer	
3,317,171 A	5/1967	Kramer	
3,698,675 A	10/1972	Lerew et al.	
3,881,677 A	5/1975	Ihlenfeld	
4,063,701 A	12/1977	Wray	
4,270,724 A	6/1981	McMullen	
4,535,923 A *	8/1985	Manke	B60N 3/103 224/272
4,560,128 A	12/1985	Willeby et al.	
4,697,780 A	10/1987	Wenkman et al.	
4,728,147 A	3/1988	Dutton	
4,767,092 A	8/1988	Weatherly	
4,878,642 A *	11/1989	Kirby, Jr.	A47K 1/08 248/311.2
4,887,784 A *	12/1989	Kayali	B60N 3/102 248/311.2

4,997,156 A	3/1991	Allen
5,356,107 A	10/1994	Sinoheiz
D353,840 S	12/1994	Dietterich et al.
D373,935 S	9/1996	Cole et al.

(Continued)

FOREIGN PATENT DOCUMENTS

DE	202006007366 U1	9/2006
WO	12053989 A2	4/2012

OTHER PUBLICATIONS

Website: Scootaround, Inc., "Nitro Rollator Cup Holder Attachment," visited Jan. 5, 2017, <https://www.scootaroundsales.com/Nitro-Rollator-Cup-Holder-Attachment_p_396.html>.

(Continued)

Primary Examiner — Terry A Wallace

(74) *Attorney, Agent, or Firm* — Banner & Witcoff, Ltd.

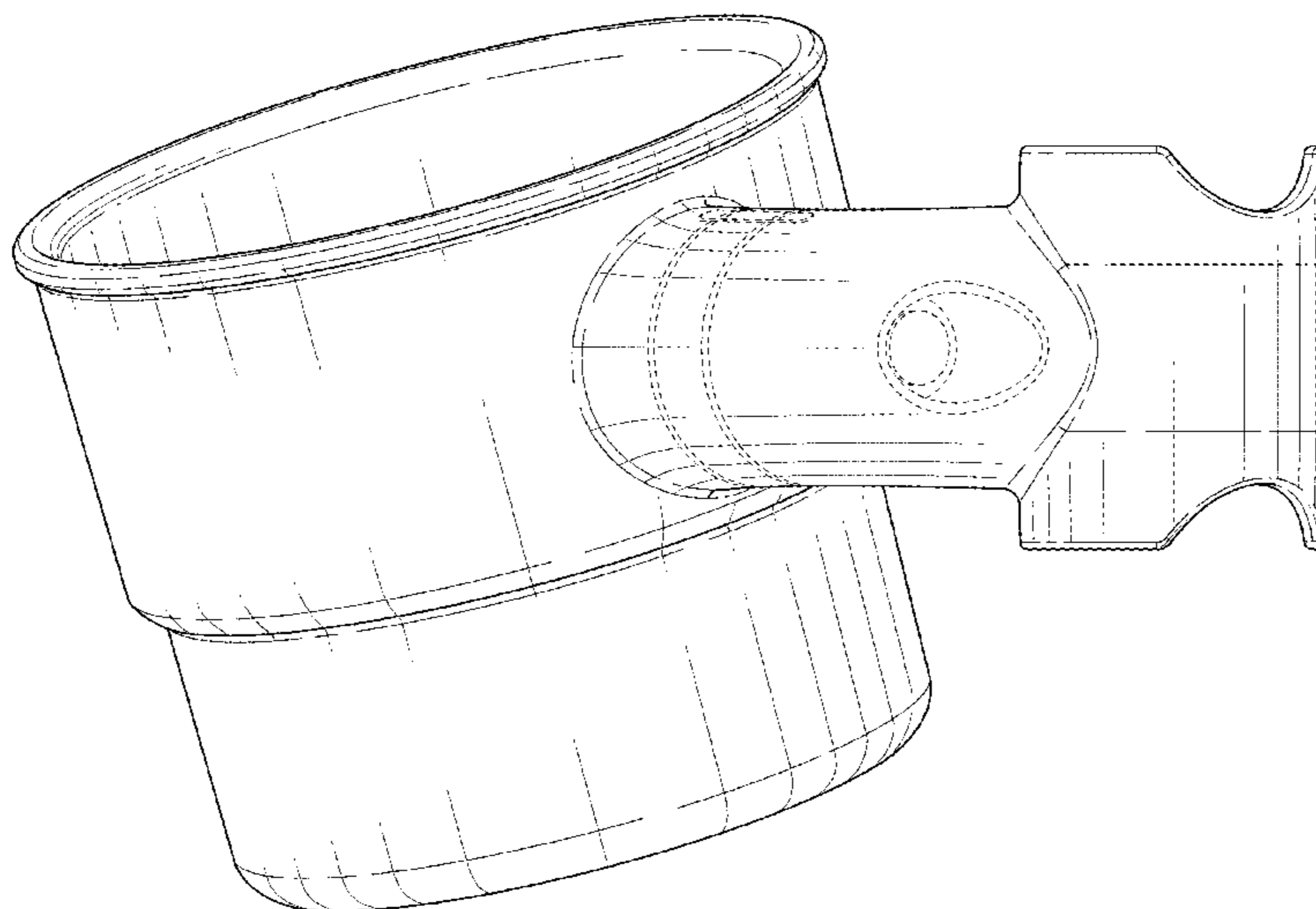
(57) **CLAIM**

The ornamental design for a cup holder, as shown and described.

DESCRIPTION

FIG. 1 is a top, front, right perspective view of a cup holder showing my new design;
FIG. 2 is a rear view thereof;
FIG. 3 is a front view thereof;
FIG. 4 is a right side view thereof;
FIG. 5 is a left side view thereof;
FIG. 6 is a top view thereof;
FIG. 7 is a bottom view thereof; and,
FIG. 8 is a bottom, rear, left perspective view thereof.
The broken lines immediately adjacent to the shaded area represent unclaimed boundaries of the design. The broken lines showing the remainder of the cup holder represent unclaimed subject matter and form no part of the claimed design.

1 Claim, 5 Drawing Sheets



(56)

References Cited

U.S. PATENT DOCUMENTS

5,628,485 A 5/1997 Ray
 5,688,023 A 11/1997 Blocker, Jr.
 5,695,162 A 12/1997 DiCastro
 5,813,646 A 9/1998 Bartholomae
 5,842,671 A 12/1998 Gibbs
 D404,975 S 2/1999 Fegan
 5,865,124 A 2/1999 Wroe
 5,865,412 A 2/1999 Mason
 5,996,957 A 12/1999 Kurtz
 6,029,938 A 2/2000 Fava
 D429,969 S * 8/2000 Frankel D7/620
 6,227,511 B1 5/2001 De Costa
 6,338,419 B1 1/2002 Penney
 6,375,257 B1 4/2002 Wooding et al.
 D463,219 S 9/2002 Tsai
 D470,727 S * 2/2003 Bartley D7/620
 D476,860 S * 7/2003 Groendyke D7/620
 6,601,813 B1 8/2003 Kager et al.
 6,648,290 B1 11/2003 Aleman
 6,663,068 B2 12/2003 Huang
 D511,439 S 11/2005 Roybal
 7,090,183 B2 8/2006 Heybl et al.
 7,284,737 B2 10/2007 Kane
 D600,077 S 9/2009 Barnes, Jr.
 7,959,121 B1 6/2011 Barnes, Jr.
 8,066,148 B2 11/2011 Garahan
 D654,322 S * 2/2012 Duncan D7/620
 D673,816 S * 1/2013 Phillips D7/620
 D679,146 S 4/2013 Rincon
 8,430,366 B2 4/2013 Tincher
 8,500,076 B2 8/2013 Lai
 8,636,319 B1 1/2014 Parker, Jr.
 8,905,471 B2 12/2014 Tang
 8,979,190 B2 3/2015 Madrigal et al.
 D727,110 S 4/2015 Henry et al.
 D727,111 S 4/2015 Henry et al.
 9,004,433 B2 4/2015 Krieger
 9,259,092 B2 2/2016 Choi

9,345,353 B2 5/2016 Forbes et al.
 9,428,207 B2 8/2016 Hartenstine et al.
 9,468,297 B2 10/2016 Grace
 9,532,654 B1 1/2017 Adams, IV et al.
 9,642,485 B2 5/2017 Kuznicki, Jr.
 2001/0032915 A1 10/2001 Clifford
 2004/0129852 A1 7/2004 Giampavolo
 2005/0051690 A1 3/2005 Phillips et al.
 2009/0014611 A1 1/2009 Hampton
 2010/0096521 A1 4/2010 White et al.
 2011/0121619 A1 5/2011 Chappell
 2014/0175139 A1 6/2014 Pereira
 2014/0246550 A1 9/2014 Thier et al.
 2014/0361583 A1 12/2014 Martus et al.
 2016/0045048 A1 2/2016 Katz

OTHER PUBLICATIONS

Website: Nordstrom, Inc., "Liquid Holster Self Leveling Cup Holder for City Select® Stroller," visited Jan. 5, 2017, <<http://shop.nordstrom.com/s/baby-jogger-liquid-holster-self-leveling-cup-holder-for-city-select-stroller/4465499?origin=category-personalizedsort&fashioncolor=black>>.
 Website: Toys"R"Us, "Quinny Stroller Cupholder," visited Jan. 5, 2017, <<https://t.toysrus.com/product?productId=17078546>>.
 Website: Cheeky Rascals, Image/jpg of "Mima Accessory Cup Holder," visited Jan. 5, 2017, <http://images.cheekyrascals.co.uk/images/product_shots/mima/mima_accessory_cup_holder.jpg>.
 Website: 93y.ru., "Surf Silver Cross," visited Jan. 5, 2017, <<http://93y.ru/223101-podstakannik-surf-silver-cross.html>>.
 Website: Linio, "Portavastos de Bicicleta, Motocicleta y Carreolas," visited Jan. 5, 2017, <<https://www.linio.com.mx/p/portavastos-de-bicicleta-motocicleta-y-carreolas-tmqk8f>>.
 Website: Adverts, "Bugaboo Cup Holder," visited Jan. 5, 2017, <<http://www.adverts.ie/buggies/bugaboo-cup-holder/9897502>>.
 Website: Babyhome, "Cup Holder," visited Jan. 5, 2017, <<http://babyhome.es/qa/en/products/cup-holder>>.

* cited by examiner

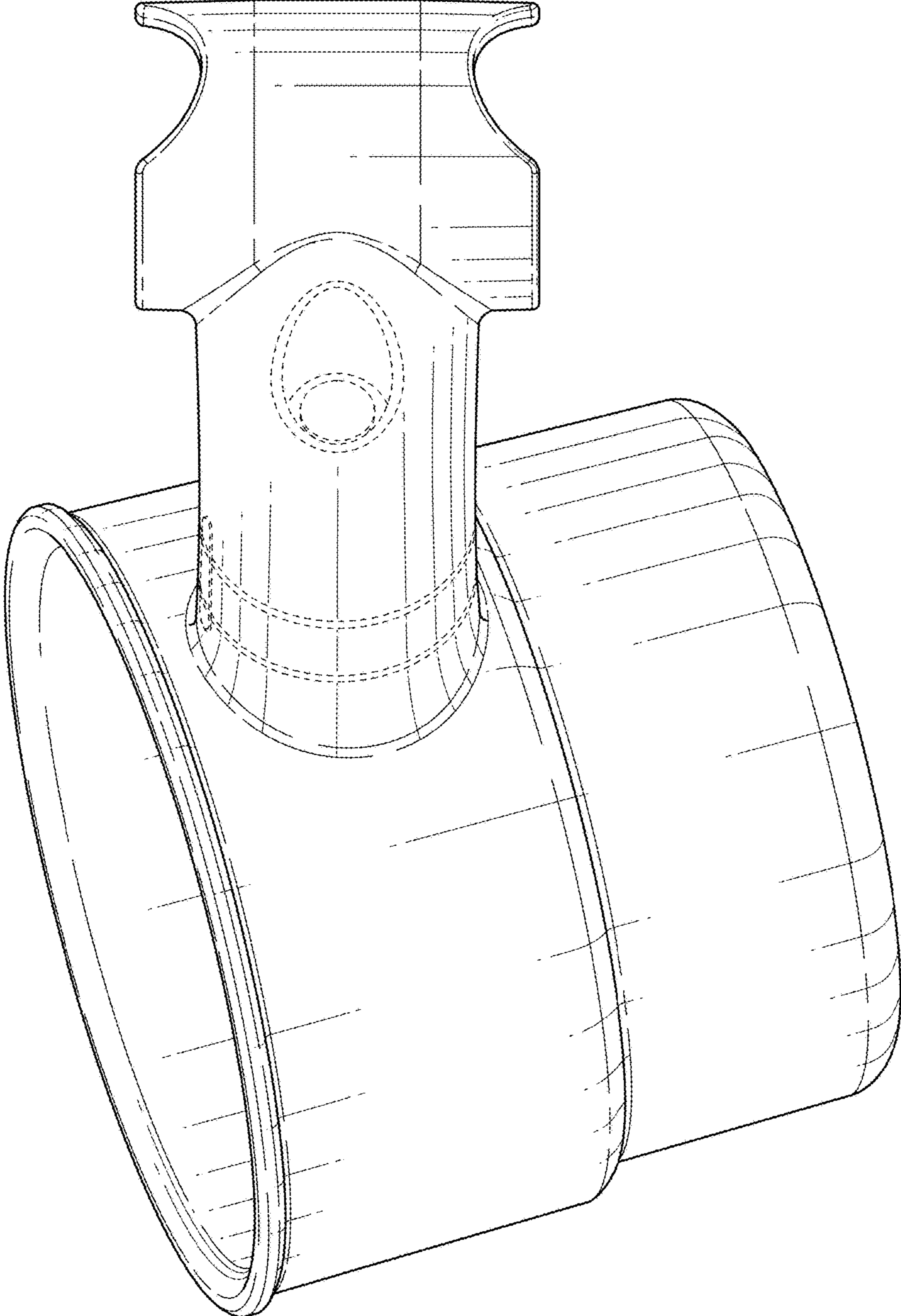


FIG. 1

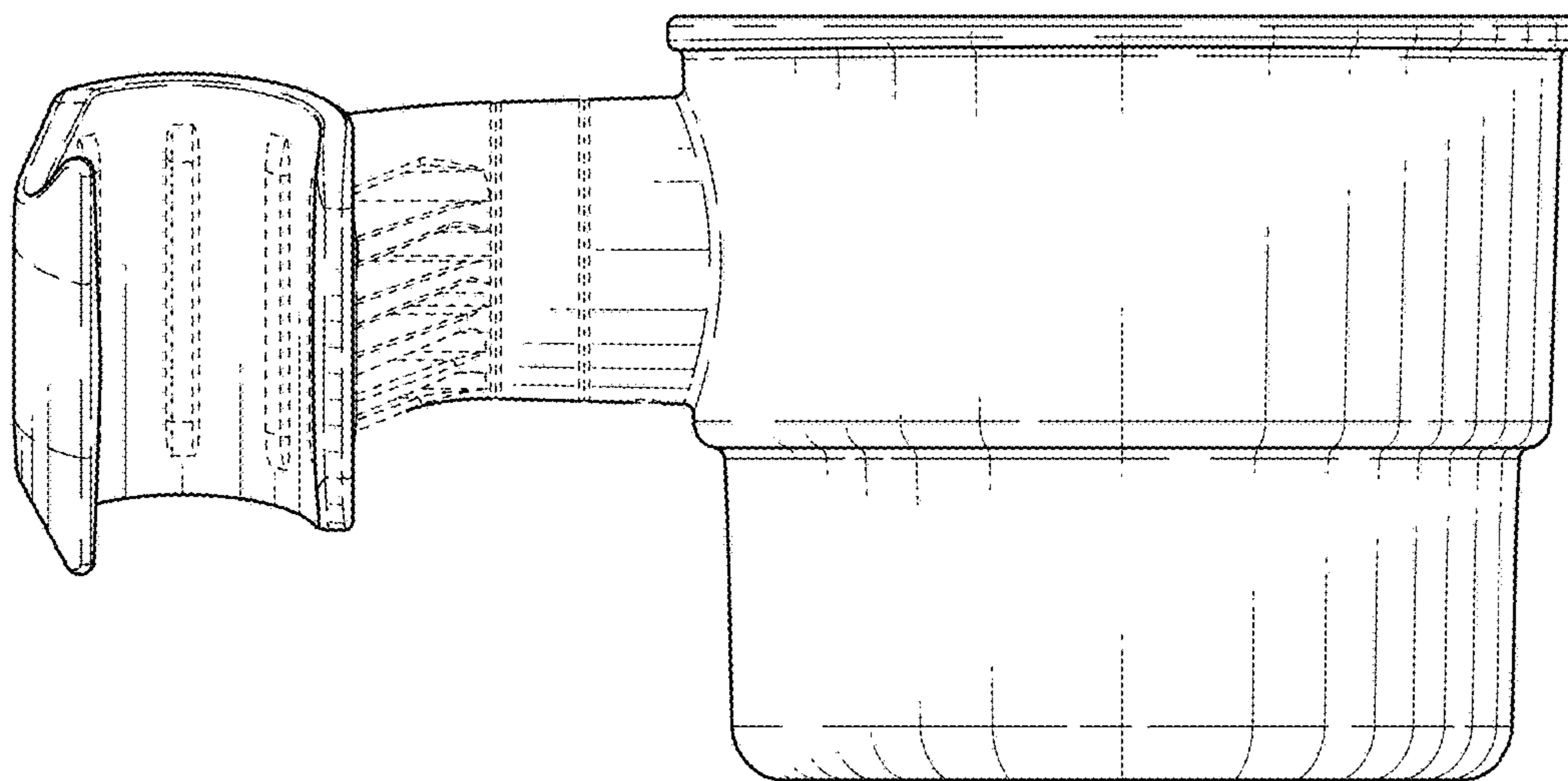


FIG. 2

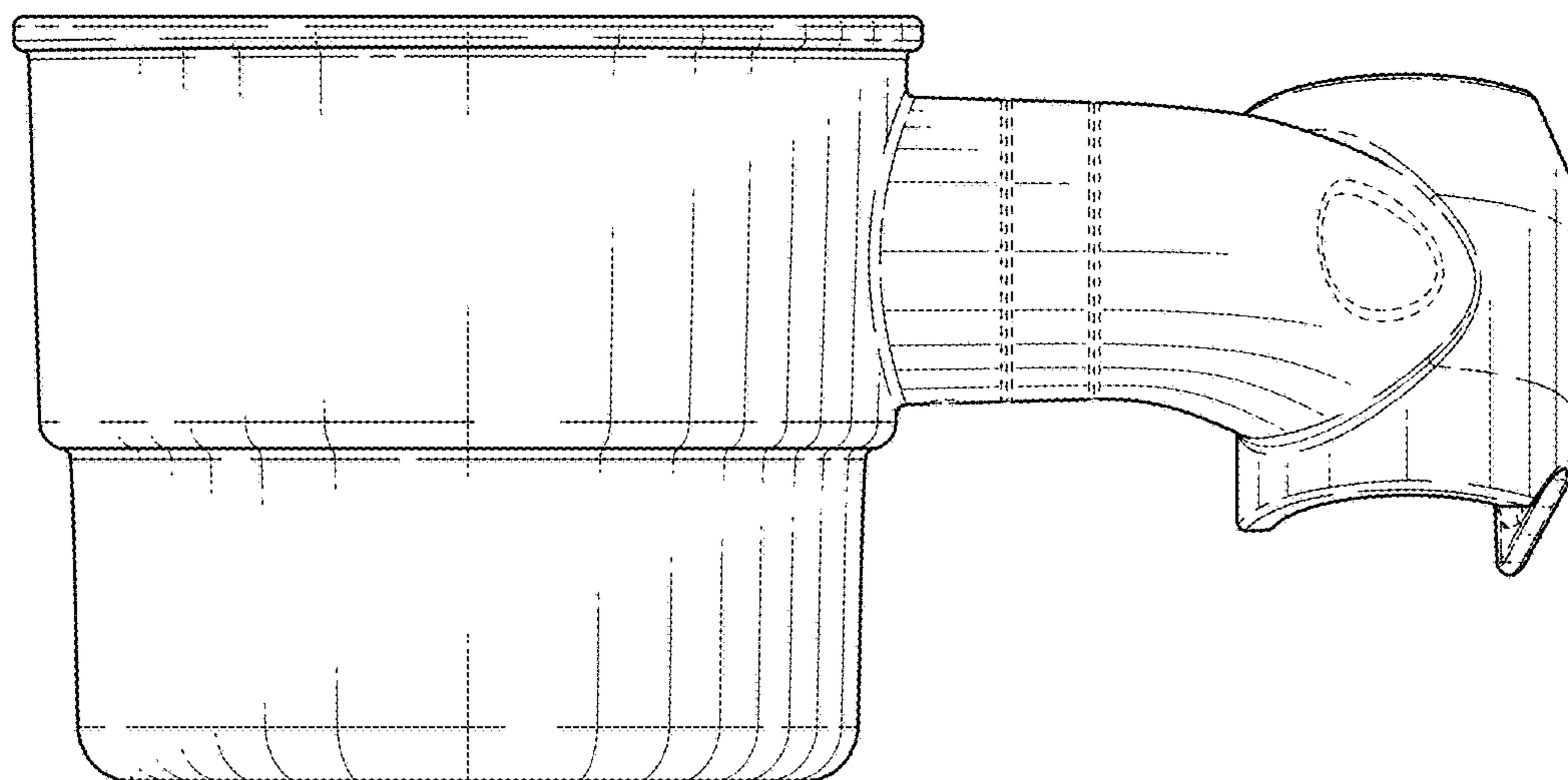


FIG. 3

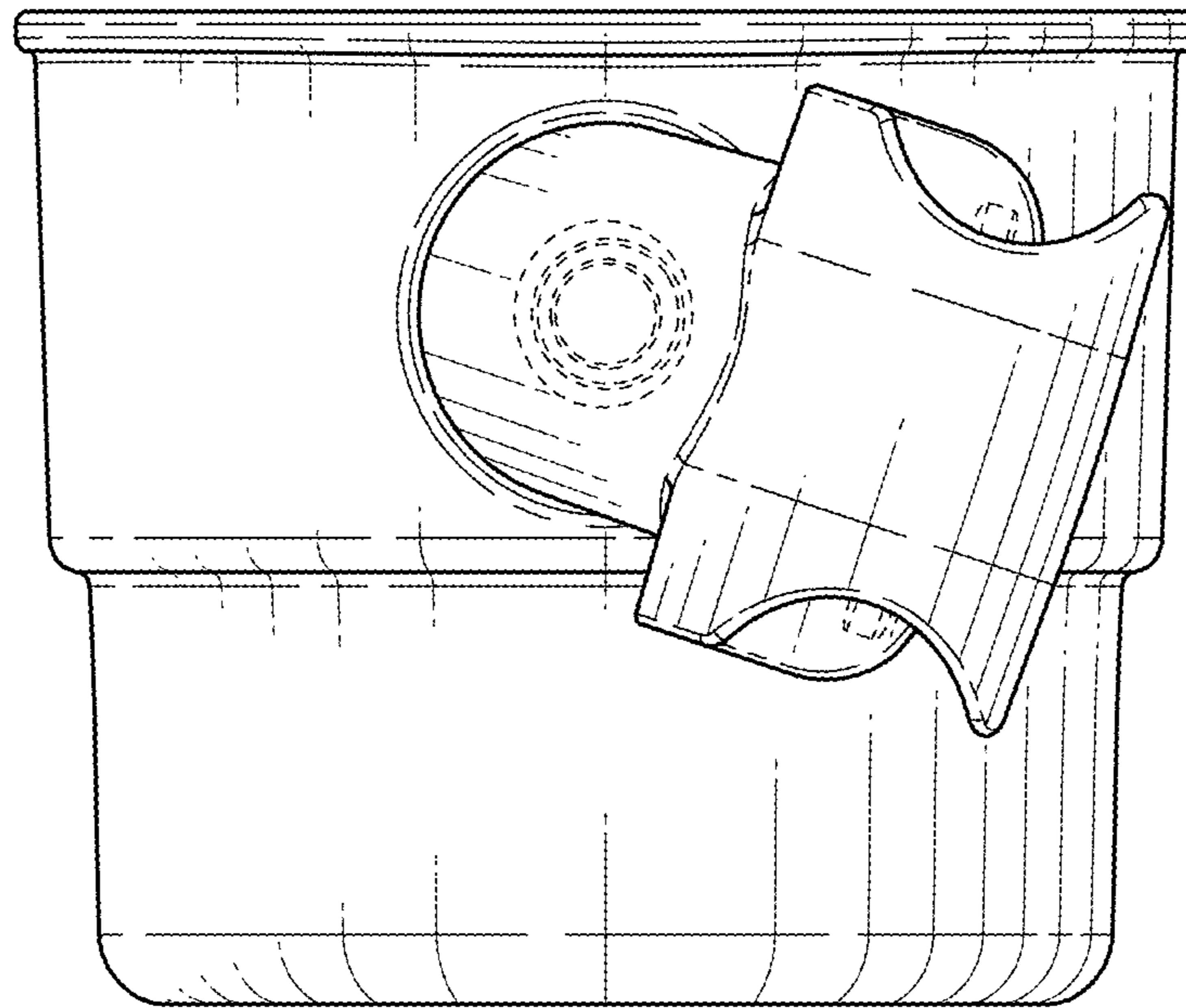


FIG. 4

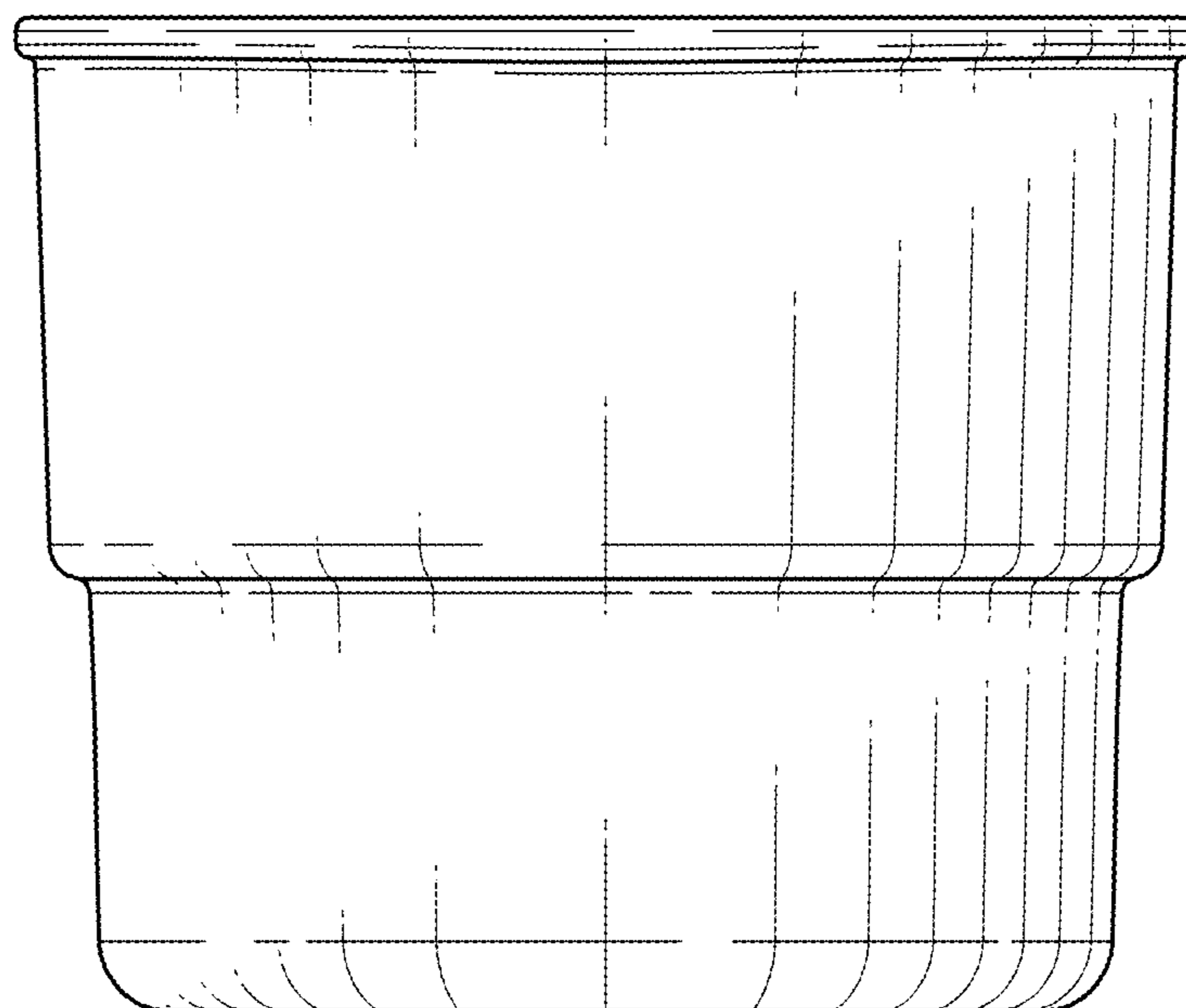


FIG. 5

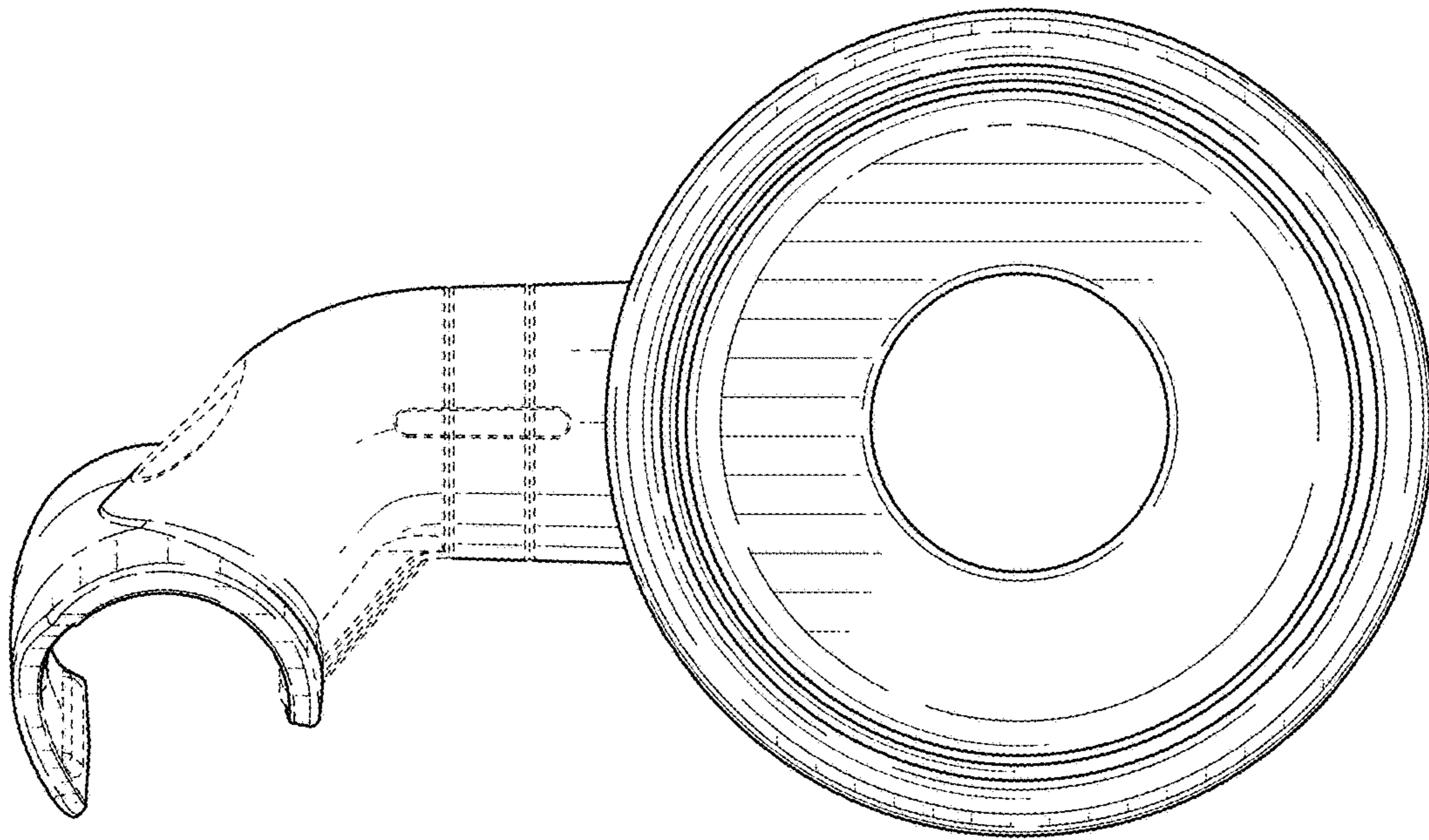


FIG. 6

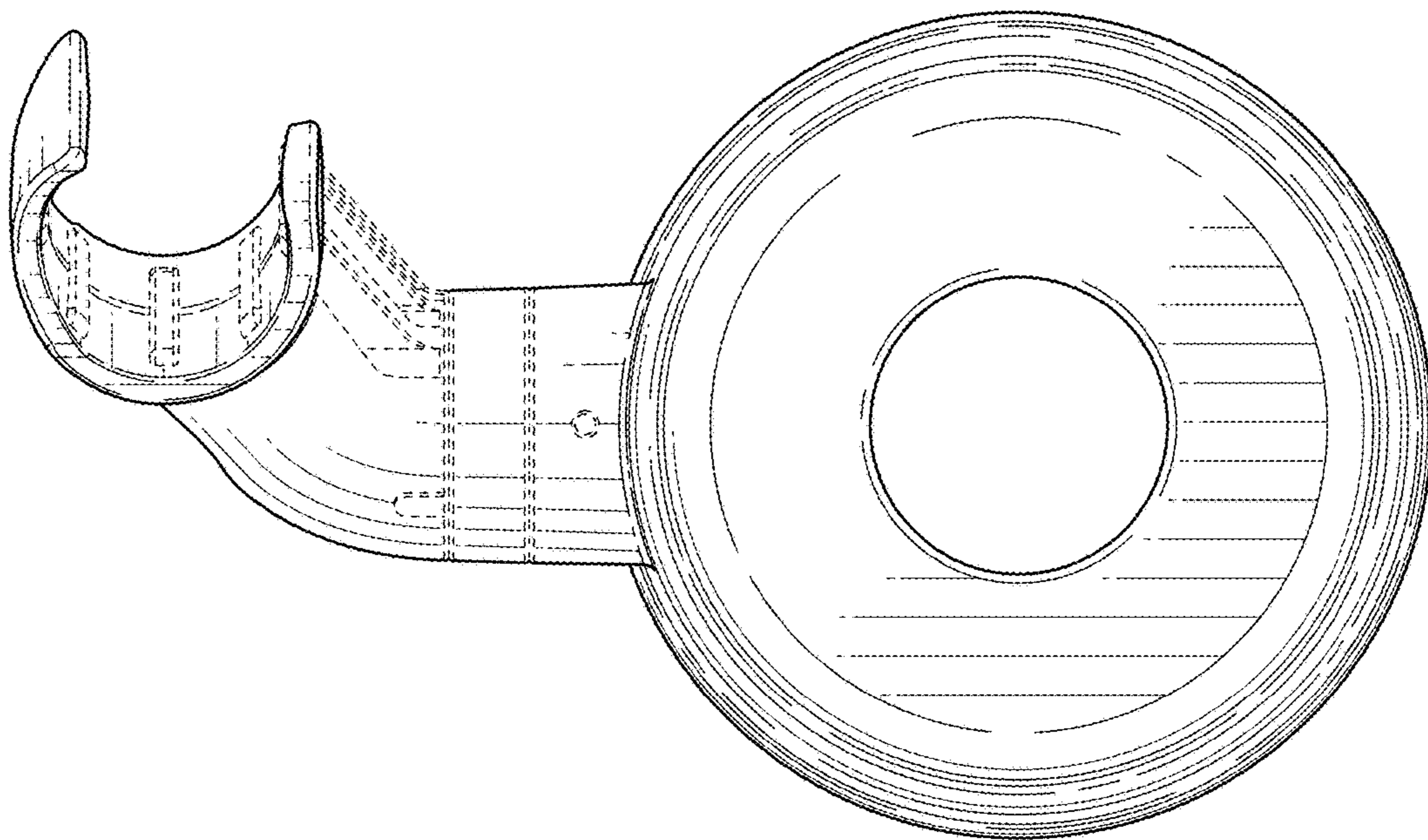


FIG. 7

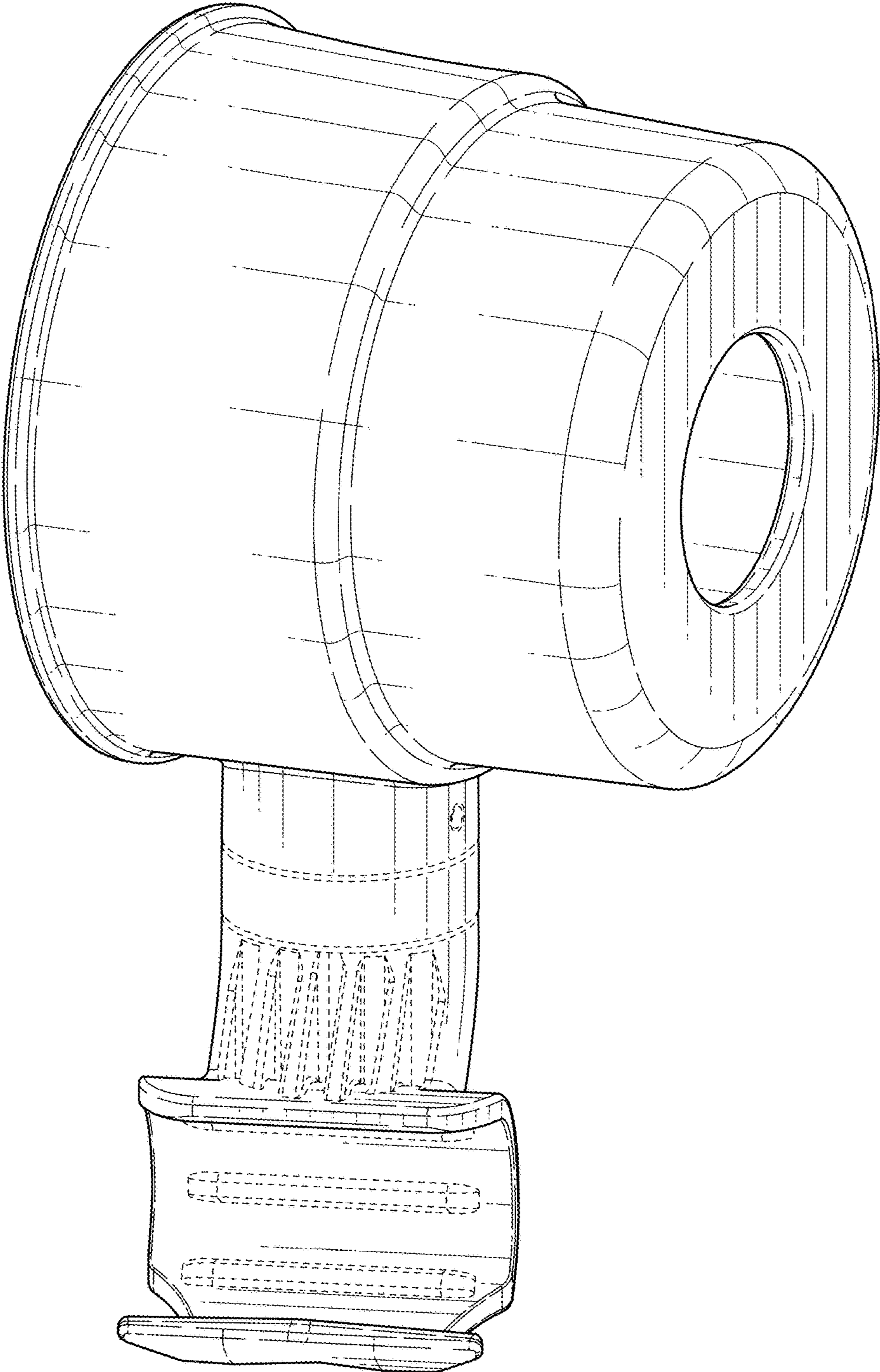


FIG. 8