

US00D837612S

(12) **United States Design Patent** (10) **Patent No.:** **US D837,612 S**  
**Shuntich** (45) **Date of Patent:** **\*\* Jan. 8, 2019**

(54) **SUPERCOOLED BEVERAGE  
CRYSTALLIZATION SLUSH DEVICE WITH  
ILLUMINATION**

(71) Applicant: **Supercooler Technologies, Inc.,**  
Maitland, FL (US)

(72) Inventor: **Douglas Shuntich,** Maitland, FL (US)

(73) Assignee: **Supercooler Technologies, Inc.,**  
Maitland, FL (US)

(\*\*) Term: **15 Years**

(21) Appl. No.: **29/593,780**

(22) Filed: **Feb. 13, 2017**

**Related U.S. Application Data**

(62) Division of application No. 29/528,365, filed on May 28, 2015, now Pat. No. Des. 778,687.

(51) **LOC (11) Cl.** ..... **07-02**

(52) **U.S. Cl.**  
USPC ..... **D7/619.1; D7/300; D7/396.2**

(58) **Field of Classification Search**  
USPC ..... D7/300, 309-311, 306-308, 305, 397,  
D7/387, 388, 399, 355, 362, 365, 367,  
D7/619.1, 624.1, 396.2; 222/146.6,  
222/185.1, 135, 129.3, 129.1; 99/295,  
99/273, 304, 288, 279, 307, 283, 318,  
99/300, 275; D21/371, 370; 362/101;  
62/457.4  
CPC ..... A47J 31/46; A47J 31/407; A47J 31/50;  
A47J 31/18; A47J 31/00; A47J 27/04;  
A47J 31/0573; A47J 31/52; B67D  
1/0085; B67D 2001/0089; G07F 13/065;  
F25D 3/08; F25D 2400/28

See application file for complete search history.

(56) **References Cited**

U.S. PATENT DOCUMENTS

136,632 A 3/1873 Whipple  
714,415 A 11/1902 Trafford  
1,827,856 A 10/1931 Pope  
(Continued)

FOREIGN PATENT DOCUMENTS

KR 1020080088944 10/2008  
KR 1020100018887 2/2010

OTHER PUBLICATIONS

Shuntich, Supercooler Technologies, Inc., PCT Patent Application No. PCT/US2015/034418 filed Jun. 5, 2015, Notification of Transmittal of the International Search Report and the Written Opinion of the International Searching Authority, or the Declaration mailed Sep. 14, 2015, 15 pages.

(Continued)

*Primary Examiner* — Marianne N Pandozzi

(74) *Attorney, Agent, or Firm* — Brian S. Steinberger;  
Law Offices of Brian S. Steinberger, P.A.

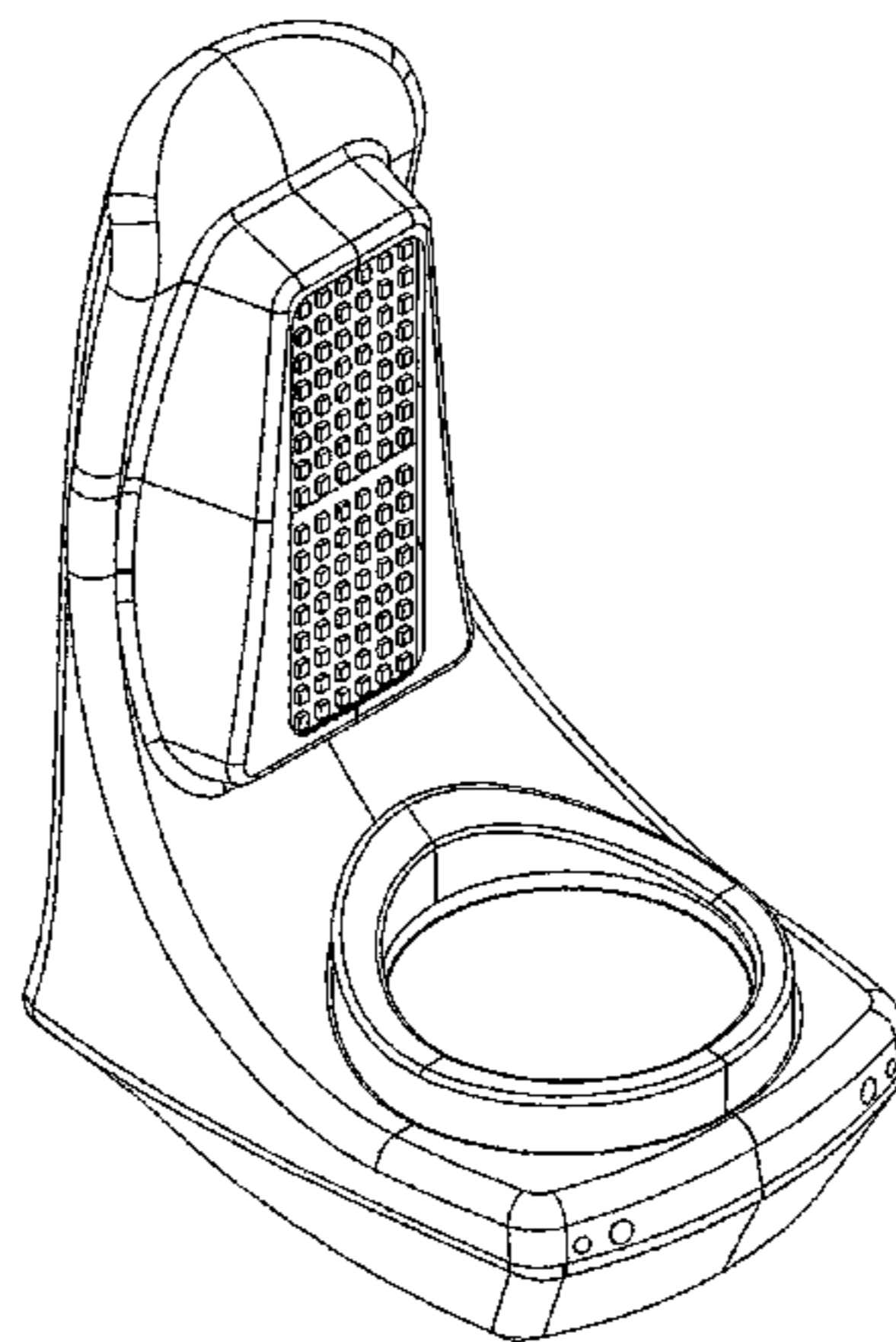
(57) **CLAIM**

The ornamental design for a supercooled beverage crystallization slush device with illumination, as shown and described.

**DESCRIPTION**

FIG. 1 is an upper front right perspective view of a supercooled beverage crystallization slush device with illumination showing my new design;  
FIG. 2 is an upper front left perspective view thereof;  
FIG. 3 is an upper rear right perspective view thereof;  
FIG. 4 is an upper rear left perspective view thereof;  
FIG. 5 is a front view thereof;  
FIG. 6 is a rear view thereof;  
FIG. 7 is a left side view thereof;  
FIG. 8 is a right side view thereof;  
FIG. 9 is a top plan view thereof; and,  
FIG. 10 is a bottom plan view thereof.

**1 Claim, 10 Drawing Sheets**



(56)

References Cited

U.S. PATENT DOCUMENTS

1,854,731 A 4/1932 Beran  
 1,984,047 A 12/1934 Thieme  
 2,061,427 A 11/1936 King  
 2,073,176 A 3/1937 Quinn  
 2,094,774 A 10/1937 Dawson  
 2,289,645 A 7/1942 Geistert  
 2,314,586 A 3/1943 Levison  
 2,405,091 A 7/1946 Culbreth  
 2,446,614 A 8/1948 Sherick  
 2,629,229 A 2/1953 Hull  
 2,764,489 A 9/1956 Veazey  
 2,990,624 A 7/1961 Granath  
 3,065,553 A 11/1962 Olin  
 D198,488 S \* 6/1964 Reis ..... D19/75  
 3,284,991 A 11/1966 Ploeger  
 3,401,858 A \* 9/1968 White ..... A47G 19/06  
 206/561  
 3,434,410 A 3/1969 Galle  
 3,453,083 A 7/1969 Beerli  
 3,718,485 A 2/1973 Lankford  
 3,813,928 A 6/1974 Anderson  
 3,860,166 A 1/1975 Anderson  
 3,915,285 A 10/1975 Lindquist  
 3,987,211 A 10/1976 Dunn  
 4,164,851 A 8/1979 Bryant  
 4,172,365 A 10/1979 McClintock  
 4,336,574 A \* 6/1982 Goodman ..... A47G 23/0309  
 248/346.11  
 4,549,409 A 10/1985 Smith  
 4,580,405 A 4/1986 Cretzmeyer  
 D293,758 S \* 1/1988 Balisteri ..... D7/300  
 4,736,600 A 4/1988 Brown  
 4,785,959 A \* 11/1988 Kleiner ..... A47G 23/0225  
 206/217  
 4,825,665 A 5/1989 Micallef  
 4,979,994 A 12/1990 Dussault  
 5,269,156 A 12/1993 Van De Velde  
 5,282,368 A 2/1994 Ordoukhanian  
 5,477,623 A 12/1995 Tomizawa  
 5,505,054 A 4/1996 Loibl  
 5,653,123 A 8/1997 Handlin  
 5,695,795 A 12/1997 Murray  
 D392,514 S \* 3/1998 Steinfels ..... D7/624.1  
 5,939,120 A 8/1999 Bogue  
 5,966,964 A 10/1999 Pattee  
 D449,763 S \* 10/2001 Harris, Jr. .... D7/307  
 6,314,751 B1 11/2001 Gjersvik  
 D455,607 S \* 4/2002 Johnson ..... D7/387  
 6,413,444 B1 7/2002 Kasza  
 6,543,154 B2 4/2003 Horigane  
 6,662,574 B2 12/2003 Loibl  
 6,691,530 B2 2/2004 Lee

6,730,341 B2 5/2004 Ludwig  
 D508,719 S \* 8/2005 de Haas ..... D21/325  
 6,945,069 B2 9/2005 Lee  
 D540,126 S \* 4/2007 Leahy ..... D6/368  
 D552,417 S \* 10/2007 Ben-Shlomo ..... D7/387  
 D569,692 S \* 5/2008 Zell ..... D7/387  
 D574,128 S \* 8/2008 Meiry ..... D2/898  
 D614,442 S \* 4/2010 Smith ..... D7/300  
 7,707,848 B2 5/2010 Loibl  
 7,712,321 B2 5/2010 Kadyk  
 7,874,167 B2 1/2011 Kammer  
 D655,122 S \* 3/2012 Bingul ..... D7/306  
 8,132,960 B2 3/2012 Zhuang  
 8,549,993 B2 10/2013 Foster  
 D705,607 S \* 5/2014 Zorovich ..... D7/523  
 D707,497 S \* 6/2014 Tello ..... D7/620  
 9,024,168 B2 5/2015 Peterson  
 D749,913 S \* 2/2016 Feng ..... D7/619.1  
 D778,687 S \* 2/2017 Shuntich ..... D7/300  
 2002/0124576 A1 9/2002 Loibl  
 2003/0192435 A1 10/2003 McNair  
 2004/0103552 A1 6/2004 Rhon  
 2004/0112413 A1 6/2004 Brunner  
 2005/0142268 A1 6/2005 Scullion  
 2005/0166768 A1 8/2005 Porat  
 2006/0191086 A1 8/2006 Mourad  
 2008/0134695 A1 6/2008 Loibl  
 2008/0141701 A1 \* 6/2008 Lewis ..... F25D 3/08  
 62/381  
 2010/0058776 A1 \* 3/2010 Loibl ..... F25D 31/007  
 62/3.3  
 2011/0308264 A1 12/2011 Youn  
 2012/0106130 A1 5/2012 Beaudette  
 2013/0160987 A1 6/2013 Grigorian  
 2013/0180280 A1 7/2013 Grigorian  
 2014/0125577 A1 5/2014 Hoang  
 2015/0112451 A1 4/2015 Dechev  
 2015/0264968 A1 \* 9/2015 Shuntich ..... A23G 9/045  
 99/275  
 2016/0131421 A1 \* 5/2016 Bogaard ..... F25D 3/08  
 62/457.4

OTHER PUBLICATIONS

Shields, New Refrigeration Tech Cools Drink in 45 Seconds, Food & Drink International, Jan. 2014, www.fdiforum.net, 3 pages.  
 Shuntich, Supercooler Technologies, Inc., PCT Patent Application No. PCT/US2014/047214 filed Jul. 18, 2014, Notification of Transmittal of the International Search Report and the Written Opinion of the International Searching Authority, or the Declaration dated Nov. 20, 2014, 18 pages.  
 Ultrasonic Degassing and Defoaming of Liquids, Hielscher—Ultrasound Technology, Apr. 2015, 4 pages.

\* cited by examiner



FIG. 1

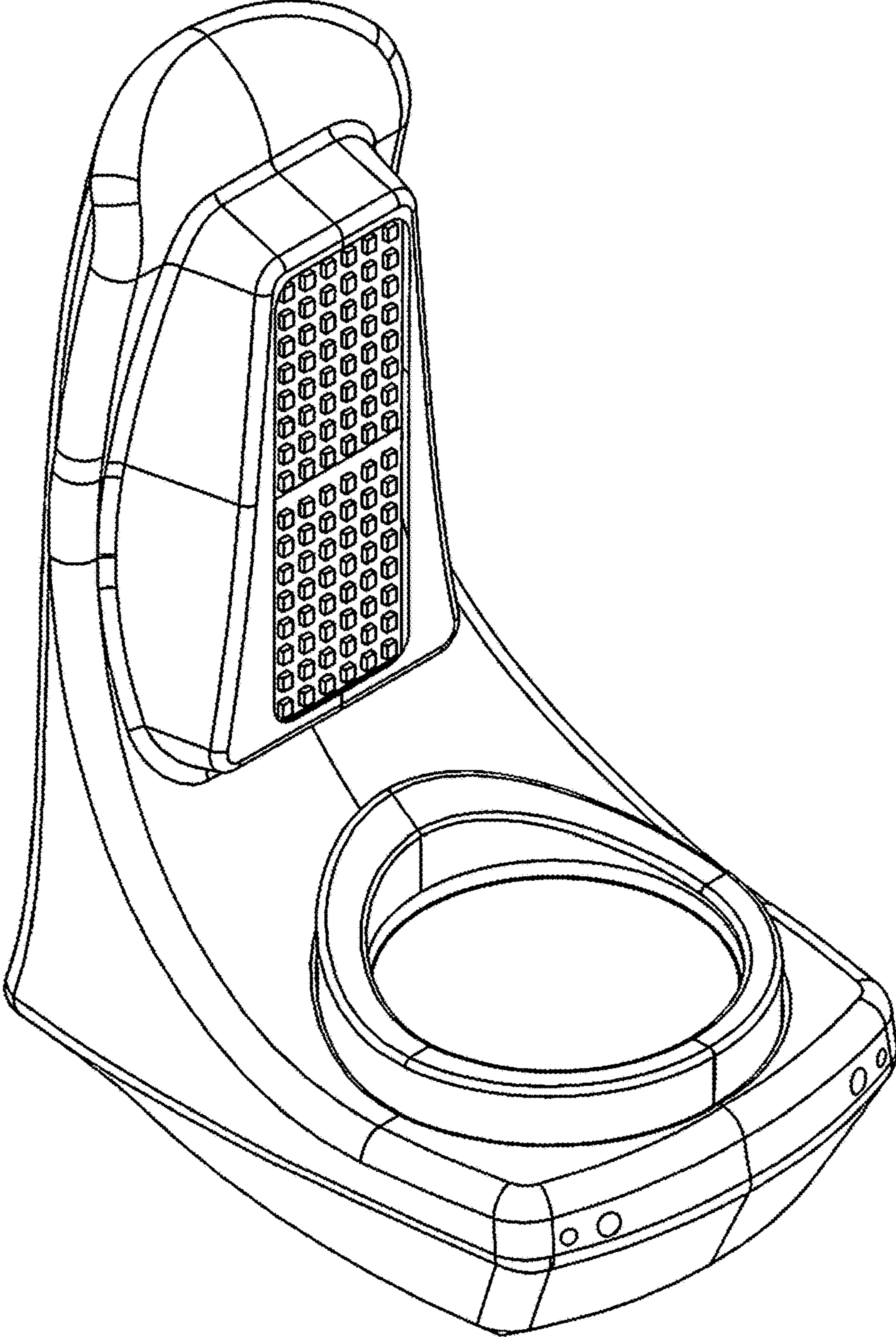


FIG. 2

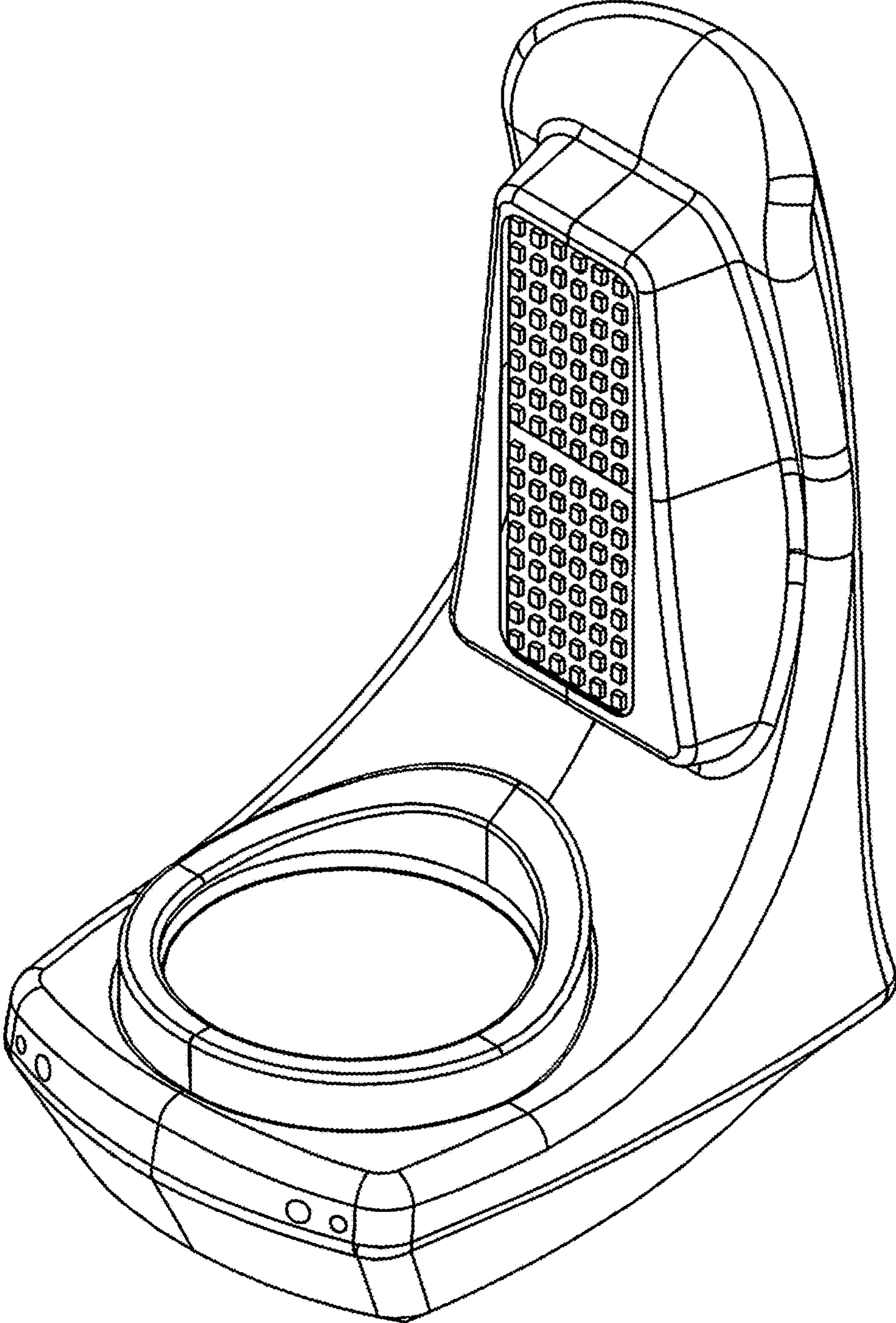


FIG. 3

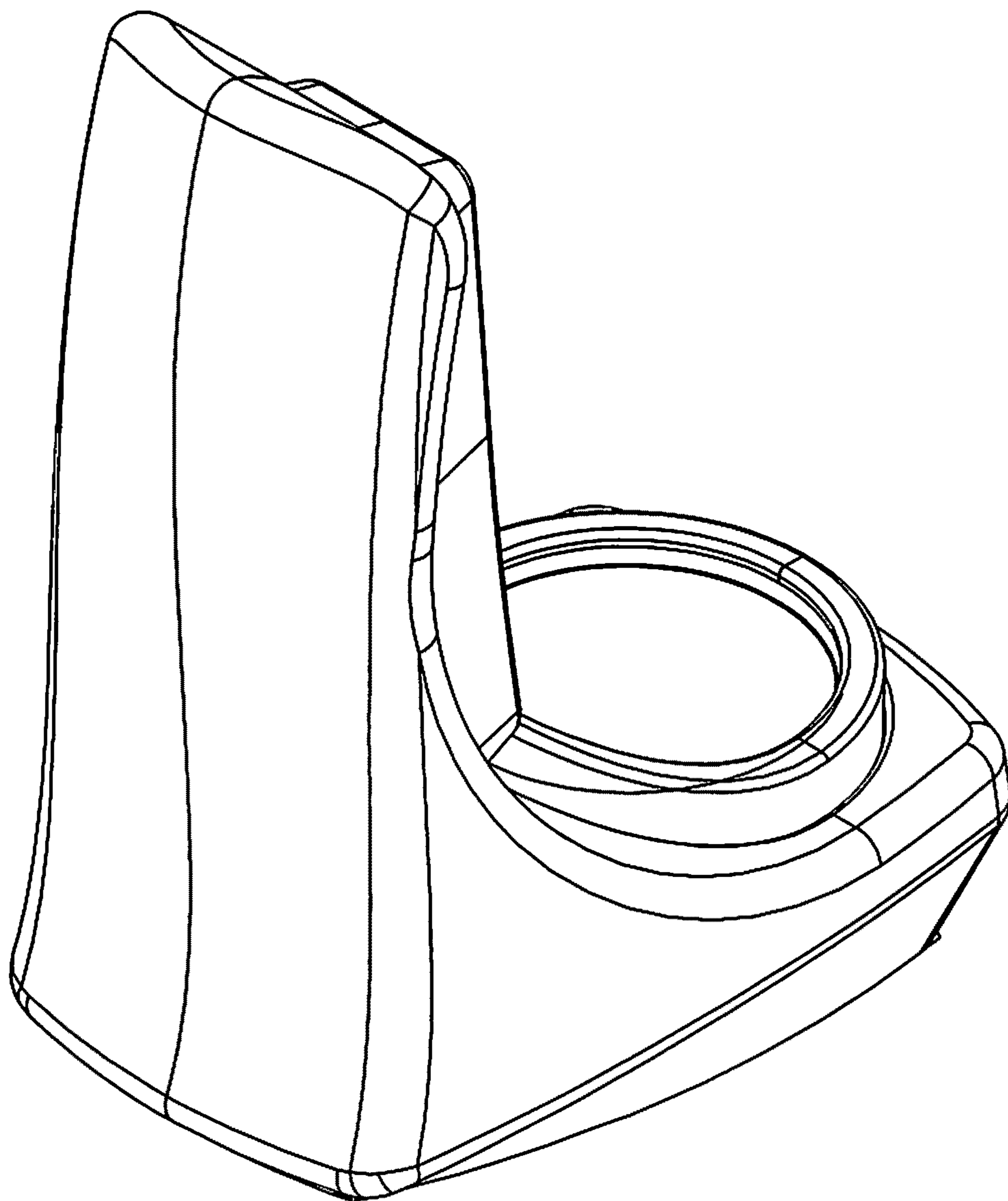


FIG. 4

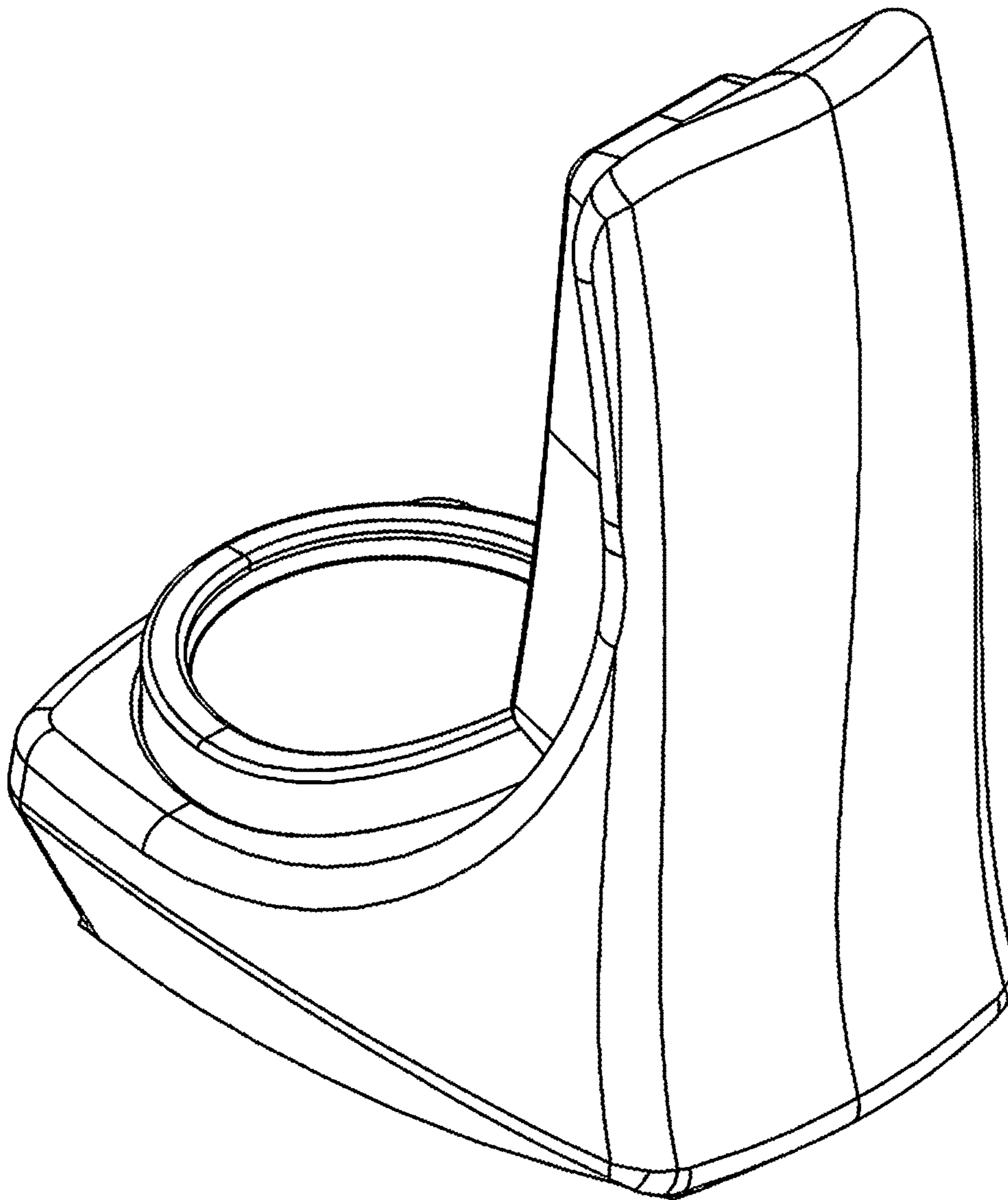




FIG. 5

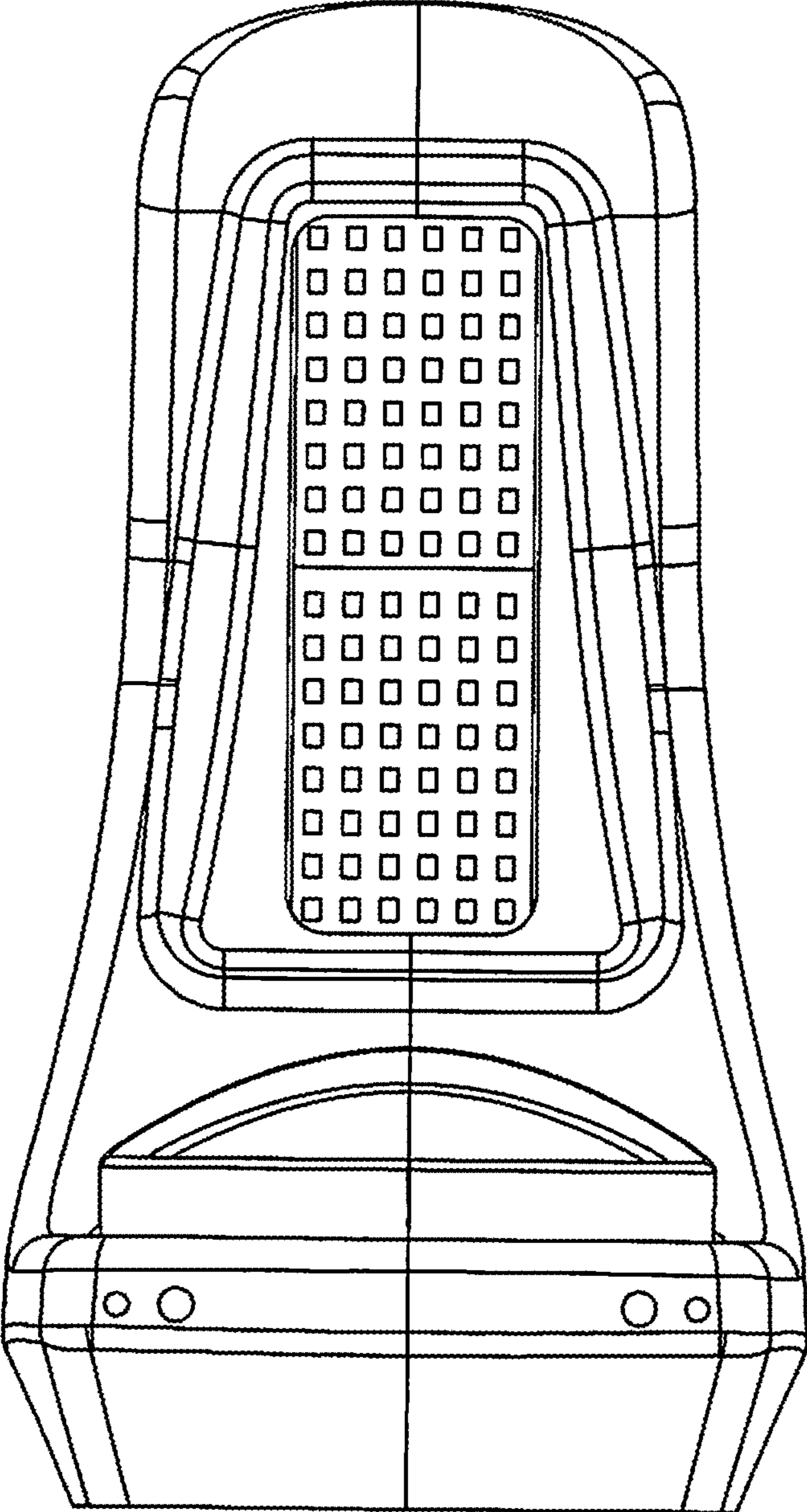


FIG. 6

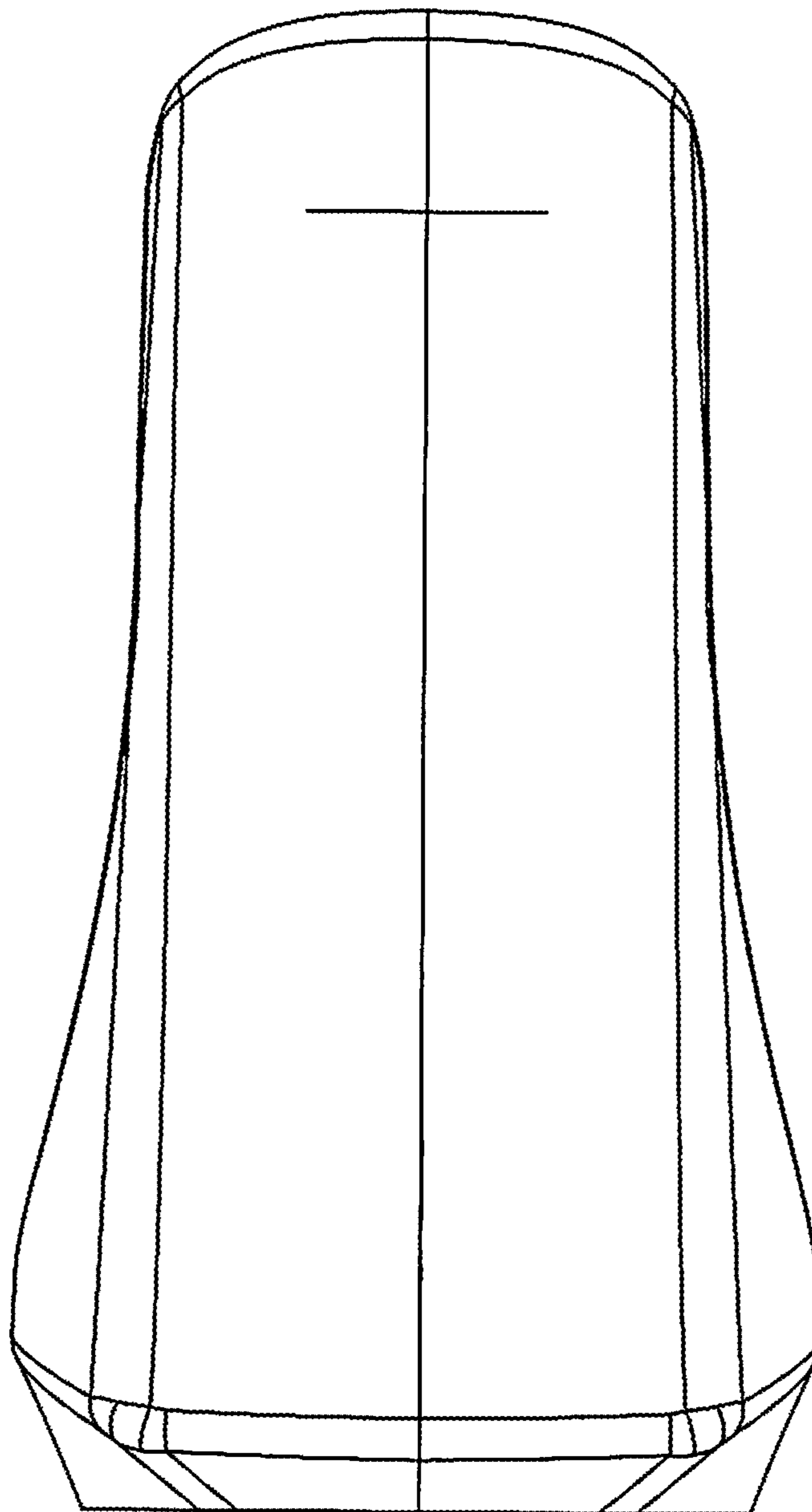




FIG. 7

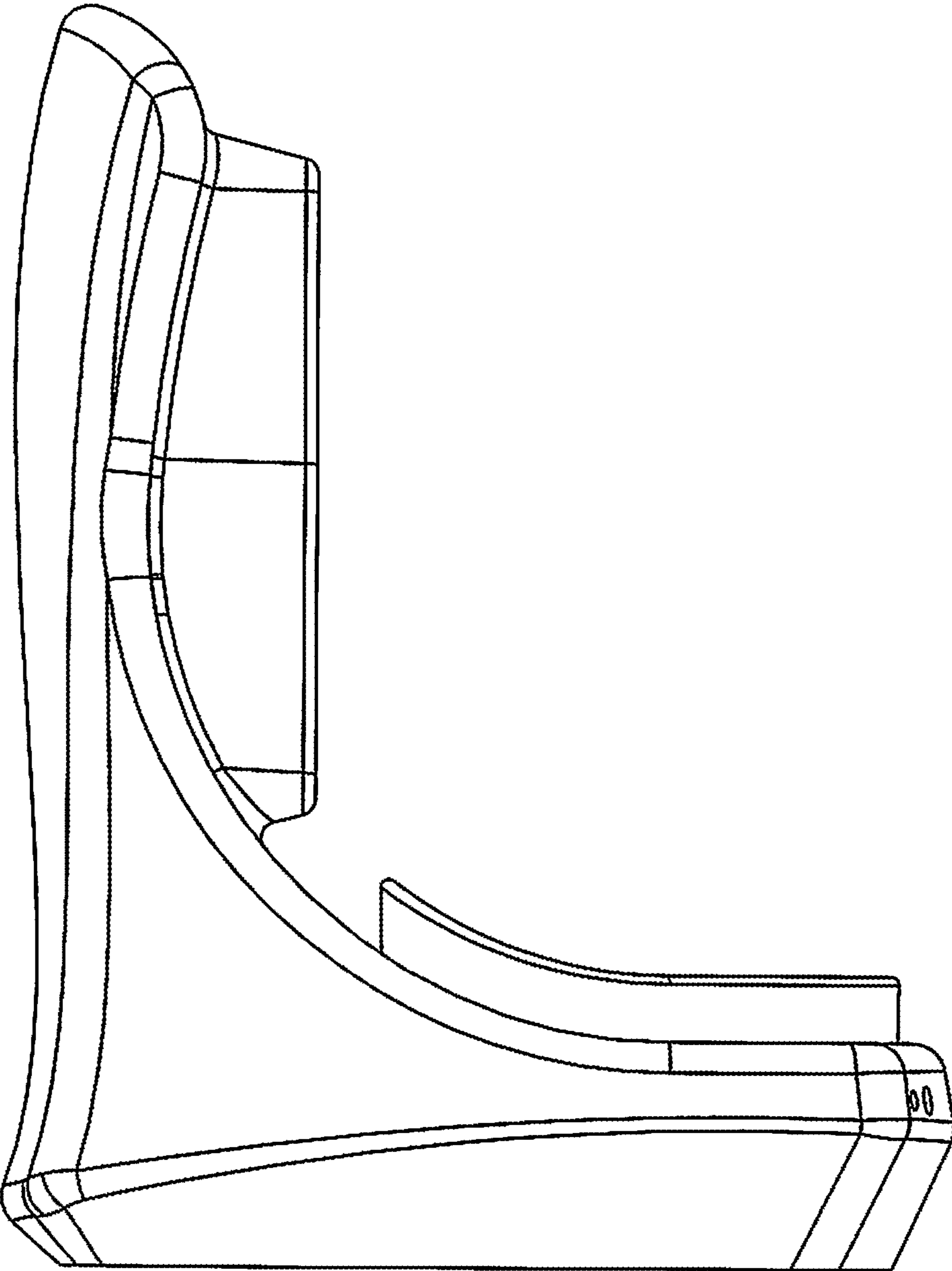


FIG. 8

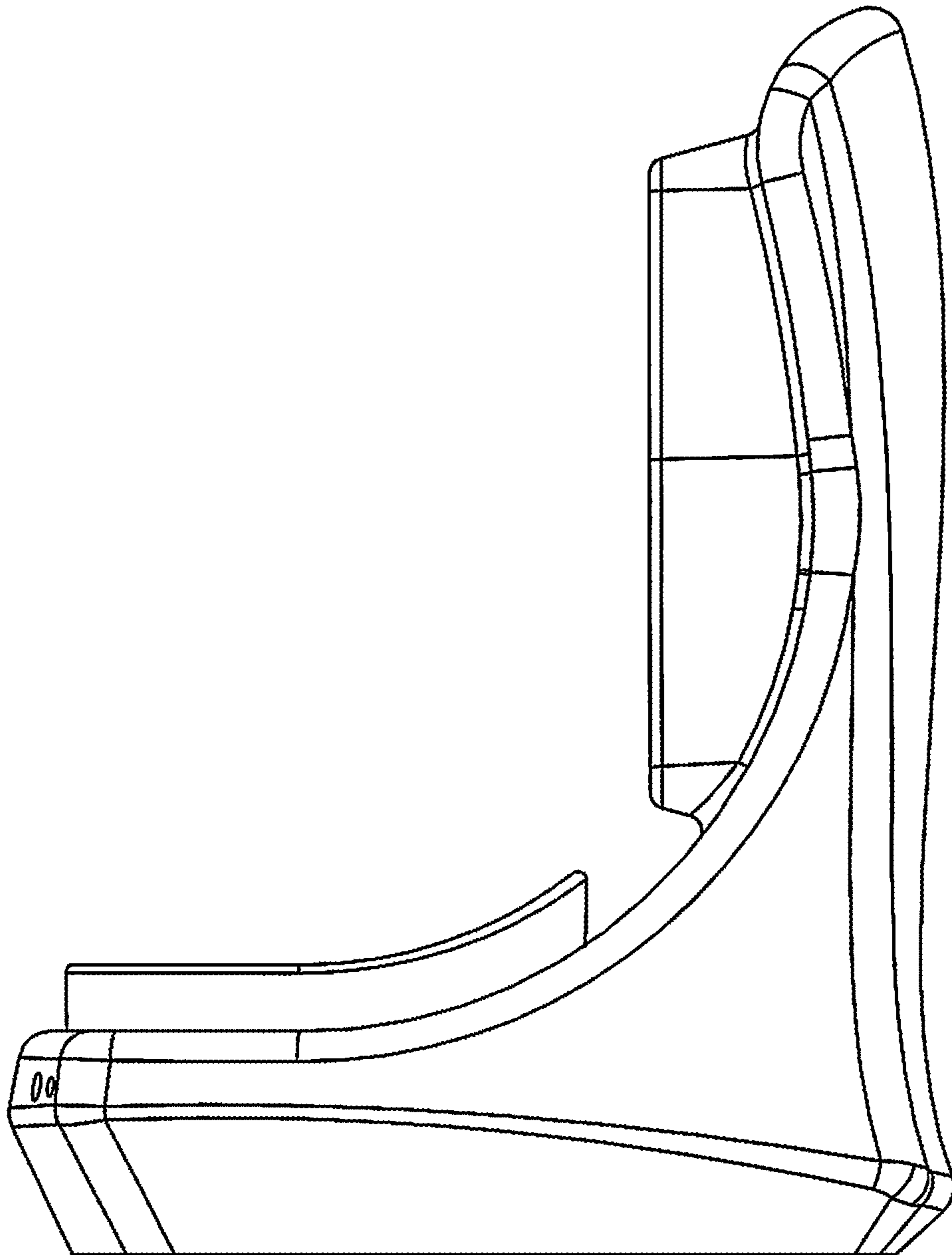


FIG. 9

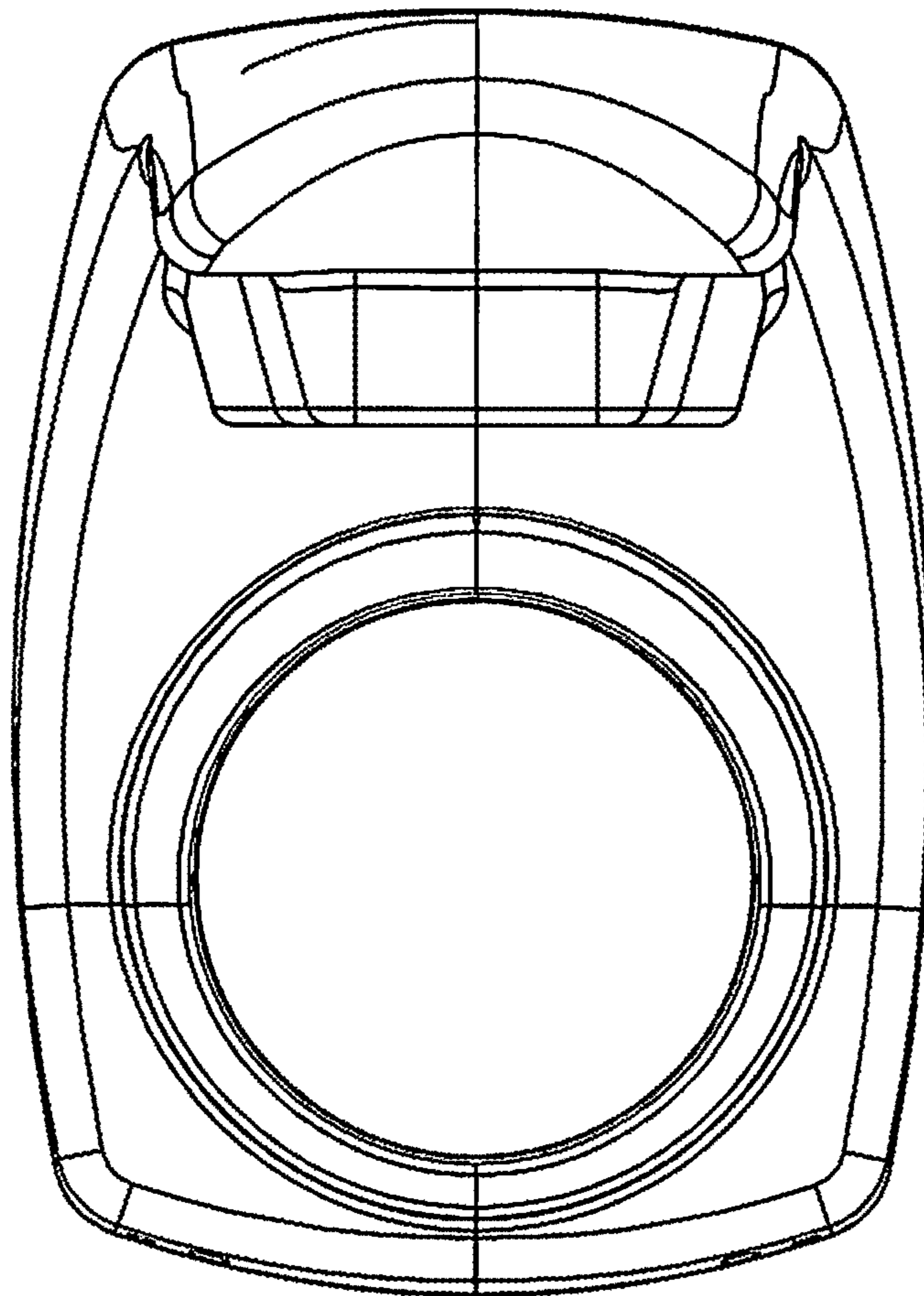


FIG. 10

