

US00D837605S

(12) **United States Design Patent** (10) **Patent No.:** **US D837,605 S**
Dwork (45) **Date of Patent:** **** Jan. 8, 2019**

(54) **PALM LEAF DINNERWARE PLATE**
(71) Applicant: **Michael D. Dwork**, New York, NY (US)
(72) Inventor: **Michael D. Dwork**, New York, NY (US)
(**) Term: **15 Years**
(21) Appl. No.: **29/632,792**
(22) Filed: **Jan. 10, 2018**
(51) **LOC (11) Cl.** **07-01**
(52) **U.S. Cl.**
USPC **D7/584**; D7/553.2
(58) **Field of Classification Search**
USPC D7/501, 500, 553.6, 554.1, 590, 600.2, D7/553.4, 584, 553.3, 553.2, 553.1; D6/691, 349, 685, 406.6; 211/74, 133.4
CPC A47J 47/16
See application file for complete search history.

(56) **References Cited**

U.S. PATENT DOCUMENTS

D185,911 S * 8/1959 Chadbourne A47G 19/02 D7/555
3,305,126 A * 2/1967 Cease B65D 1/36 206/508
D210,896 S * 4/1968 Heck D7/501
D224,207 S * 7/1972 Cyr et al. D9/761
D268,645 S * 4/1983 Phillips D7/553.3
D318,207 S * 7/1991 Anderson D7/549
D352,203 S * 11/1994 Campbell D7/546
5,441,164 A * 8/1995 Beck A47G 19/06 220/574
D399,095 S * 10/1998 Schmidt D7/553.2
5,960,982 A * 10/1999 Perlis A47G 19/065 206/558
D426,110 S * 6/2000 Schmidt D7/549
D486,991 S * 2/2004 Lee D7/357

D572,540 S * 7/2008 Shew D7/629
D573,409 S * 7/2008 Lovett D7/553.3
D575,986 S * 9/2008 Cetera D7/501
D587,529 S * 3/2009 Pratt D7/553.8
D609,058 S * 2/2010 Roth D7/602
D610,876 S * 3/2010 Busby D7/554.2
D612,211 S * 3/2010 Busby D7/554.3
D613,596 S * 4/2010 Mangapora D7/501
D637,450 S * 5/2011 Cheng D7/354
7,934,449 B2 * 5/2011 Anderson B65D 1/36 206/508
D700,478 S * 3/2014 Simmons D7/501
D708,257 S * 7/2014 Camarata D19/77
D709,130 S * 7/2014 Dolan D19/86
D712,939 S * 9/2014 Jeon D15/89
D718,981 S * 12/2014 Katterheinrich D7/550.1
D728,383 S * 5/2015 Sifuentes D9/425
D729,588 S * 5/2015 Breton D7/553.2
D734,098 S * 7/2015 Breton D7/553.6
D745,807 S * 12/2015 Harris D7/553.2
D751,865 S * 3/2016 Harris D7/553.2

(Continued)

Primary Examiner — Cynthia R Underwood
(74) *Attorney, Agent, or Firm* — Merchant & Gould P.C.

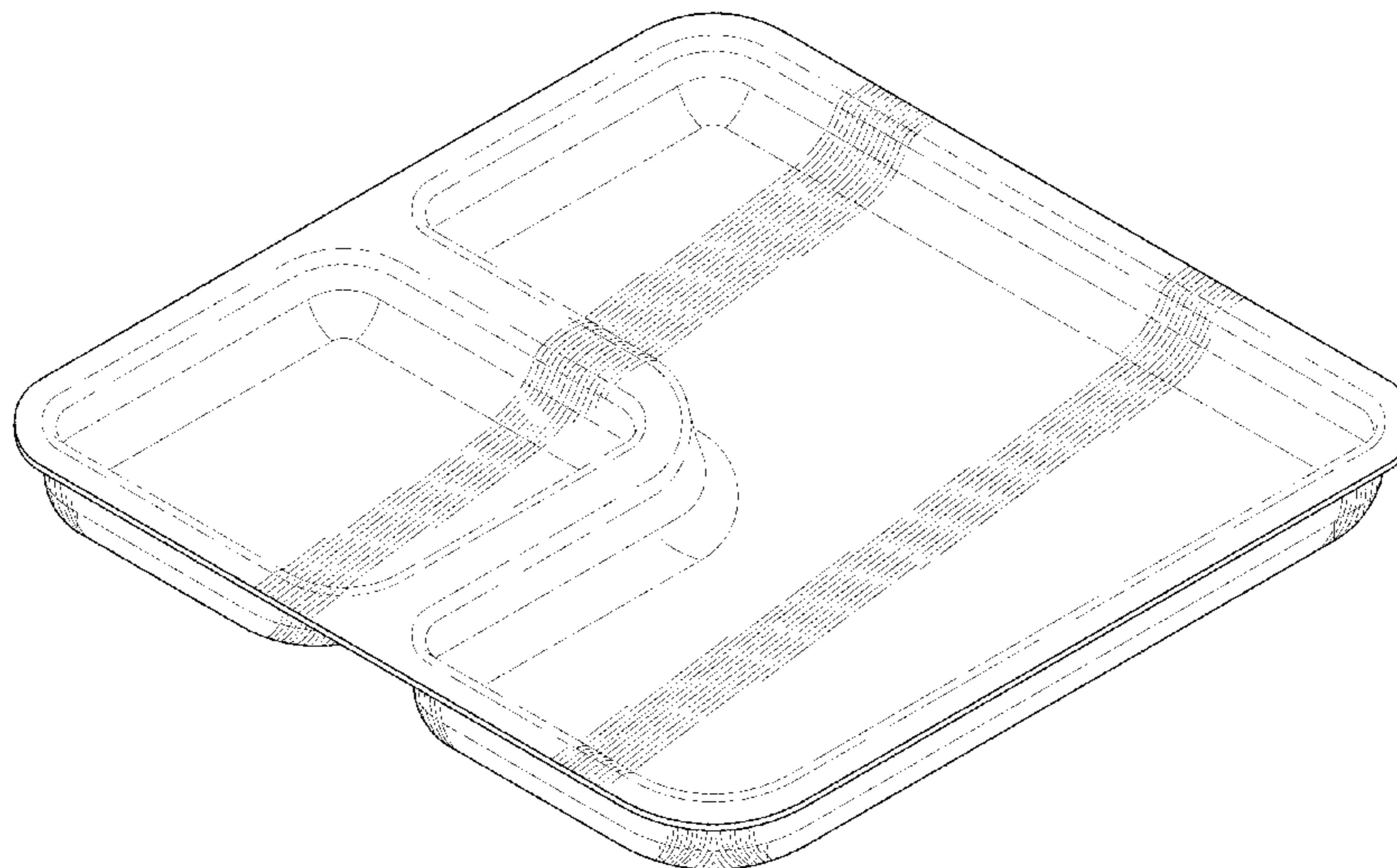
(57) **CLAIM**

The ornamental design for a palm leaf dinnerware plate, as shown and described.

DESCRIPTION

FIG. 1 is an isometric view of a palm leaf dinnerware plate according to the present disclosure;
FIG. 2 is a front view thereof;
FIG. 3 is a rear view thereof;
FIG. 4 is a right side view thereof;
FIG. 5 is a left side view thereof;
FIG. 6 is a top view thereof; and,
FIG. 7 is a bottom view thereof.
The palm leaf dinnerware plate has the texture and pattern of a compressed palm leaf.

1 Claim, 7 Drawing Sheets



(56)

References Cited

U.S. PATENT DOCUMENTS

D779,879	S *	2/2017	Walker	D19/77
D787,889	S *	5/2017	Patel	D7/553.2
D801,106	S *	10/2017	Mirchandani	D7/357
D802,368	S *	11/2017	Peng	D7/553.2
D817,076	S *	5/2018	Dugan	A47G 19/065
					D7/357
10,004,345	B1 *	6/2018	Vukkisila	A47G 19/02

* cited by examiner

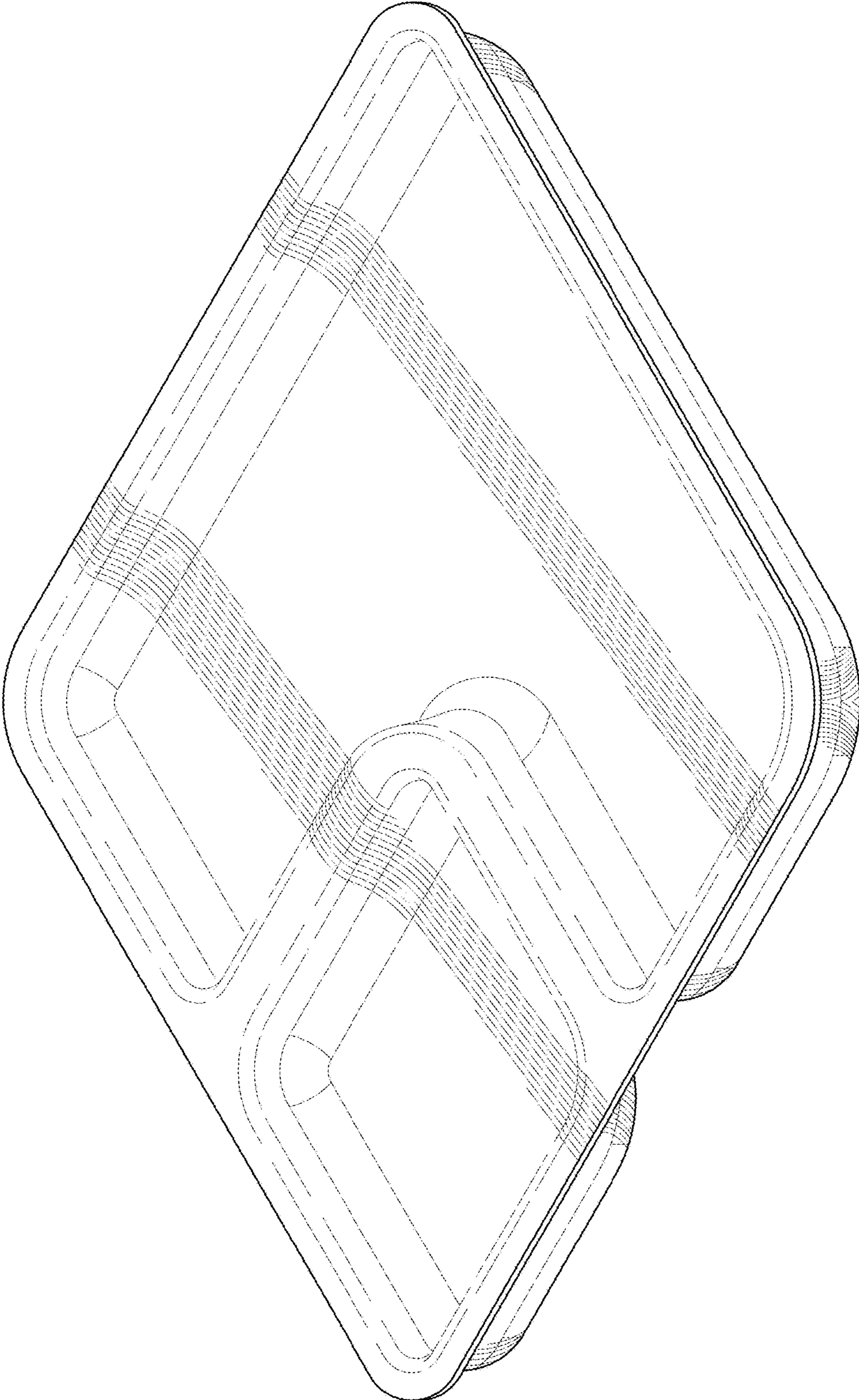


FIG. 1

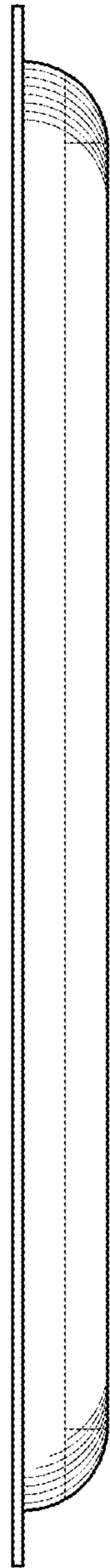


FIG. 2

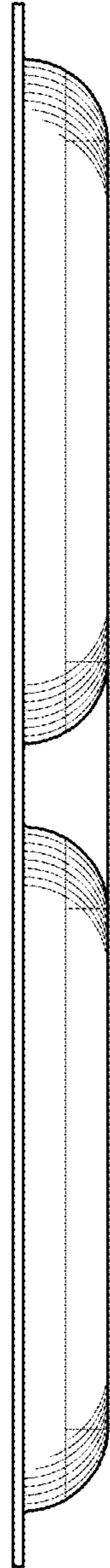


FIG. 3

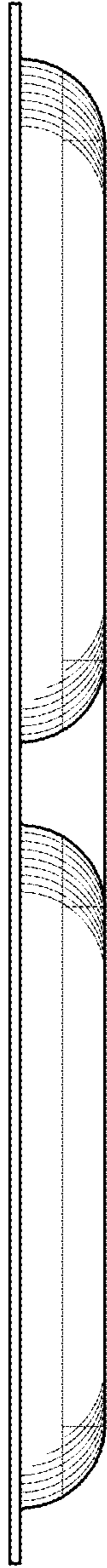


FIG. 4

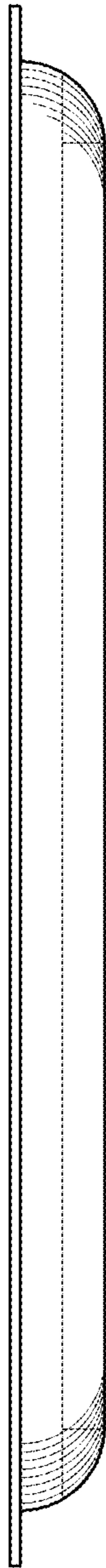


FIG. 5

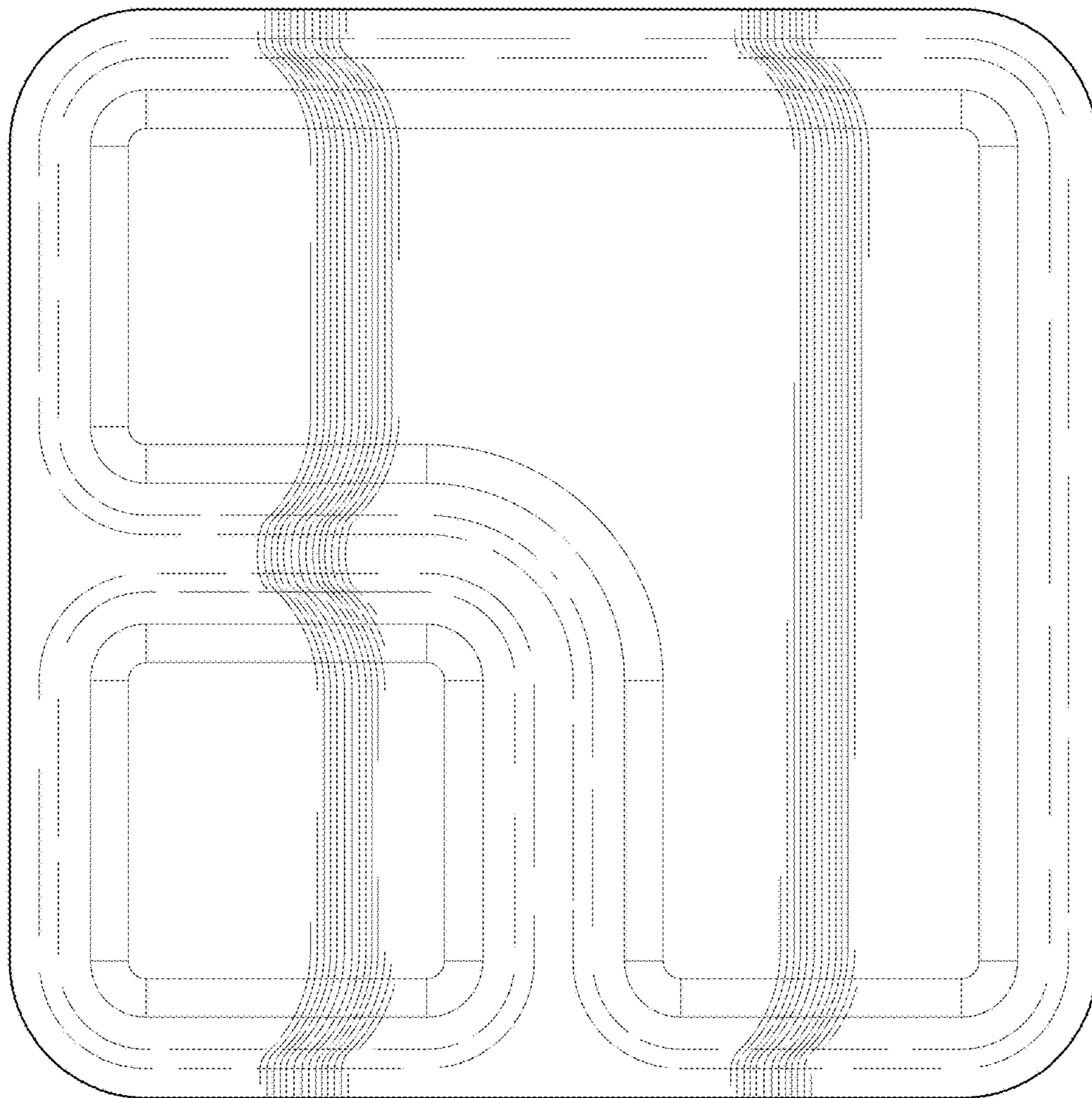


FIG. 6

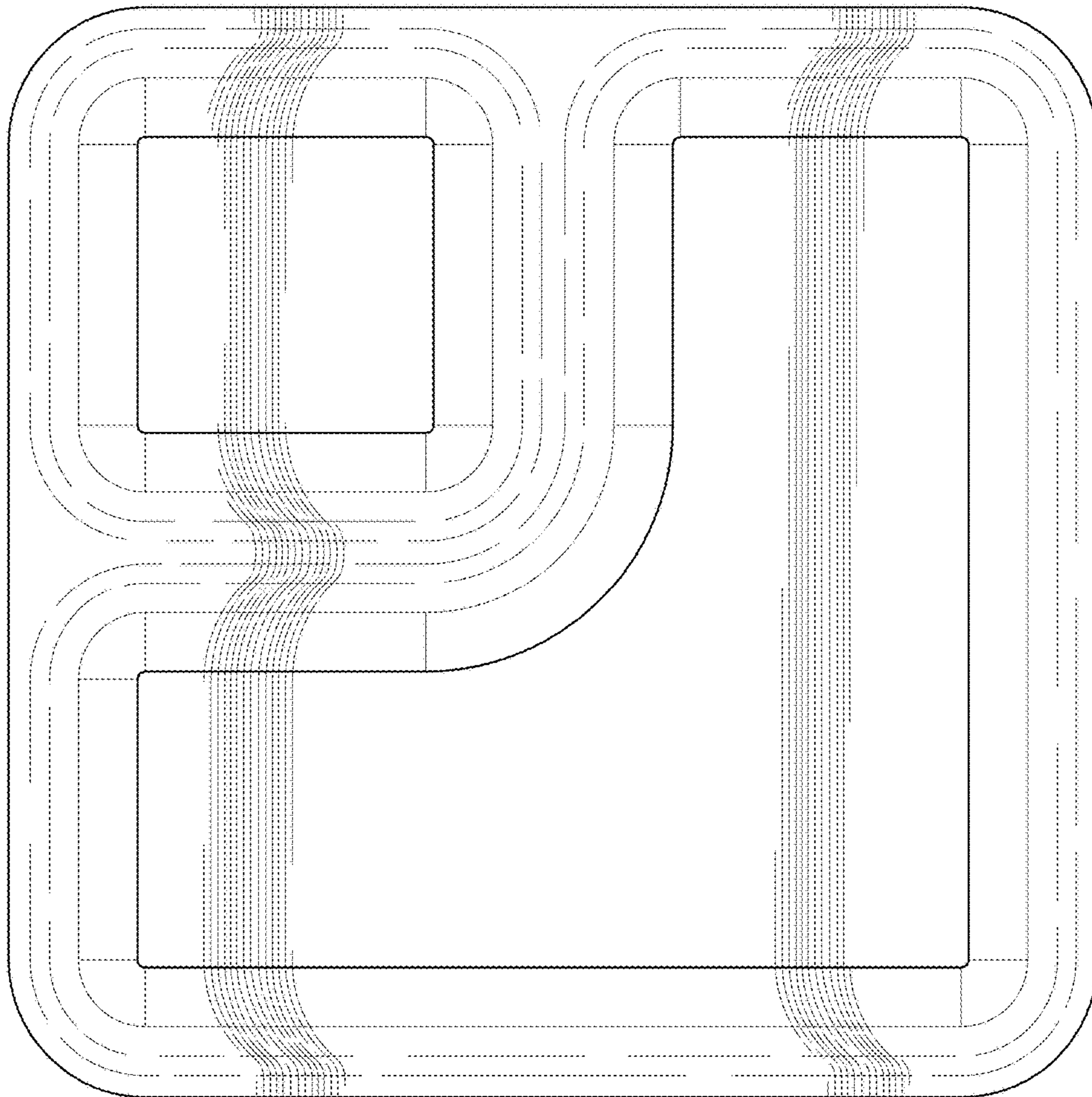


FIG. 7