



US00D837602S

(12) **United States Design Patent**
Malcolm et al.

(10) **Patent No.:** **US D837,602 S**
(45) **Date of Patent:** **** Jan. 8, 2019**

- (54) **CONTAINER**
- (71) Applicant: **Direct Pack, Inc.**, Azusa, CA (US)
- (72) Inventors: **Christian Damian Malcolm**, Thousand Oaks, CA (US); **Cesar E. Ramirez**, Montclair, CA (US); **Leonardo Magana**, San Bernardino, CA (US)
- (73) Assignee: **Direct Pack, Inc.**, Azusa, CA (US)
- (**) Term: **15 Years**
- (21) Appl. No.: **29/604,202**
- (22) Filed: **May 16, 2017**
- (51) **LOC (11) Cl.** **07-01**
- (52) **U.S. Cl.**
USPC **D7/542**; D9/425
- (58) **Field of Classification Search**
USPC D7/542, 629, 538, 500, 505; D9/425
CPC B65D 25/04; B65D 43/0218
See application file for complete search history.

D805,857 S *	12/2017	Mei	D7/629
D809,380 S *	2/2018	Pickard	D9/425
D811,212 S *	2/2018	Pickard	D9/425
D814,293 S *	4/2018	Tyberghein	D9/425
D824,269 S *	7/2018	Vorobej	D9/756
D826,040 S *	8/2018	Owens	D9/425
2005/0247709 A1 *	11/2005	Atkins	B65D 1/36 220/4.23
2006/0081641 A1 *	4/2006	Habeger	B65D 21/0219 220/839
2012/0006842 A1 *	1/2012	Overgaag	B65D 21/022 220/810
2012/0048874 A1 *	3/2012	Oakes	A47J 47/14 220/839
2012/0168449 A1 *	7/2012	Barbier	B65D 1/22 220/669

* cited by examiner

Primary Examiner — Cynthia R Underwood
(74) *Attorney, Agent, or Firm* — Frost Brown Todd, LLC

(57) **CLAIM**

The ornamental design for a container, as shown and described.

DESCRIPTION

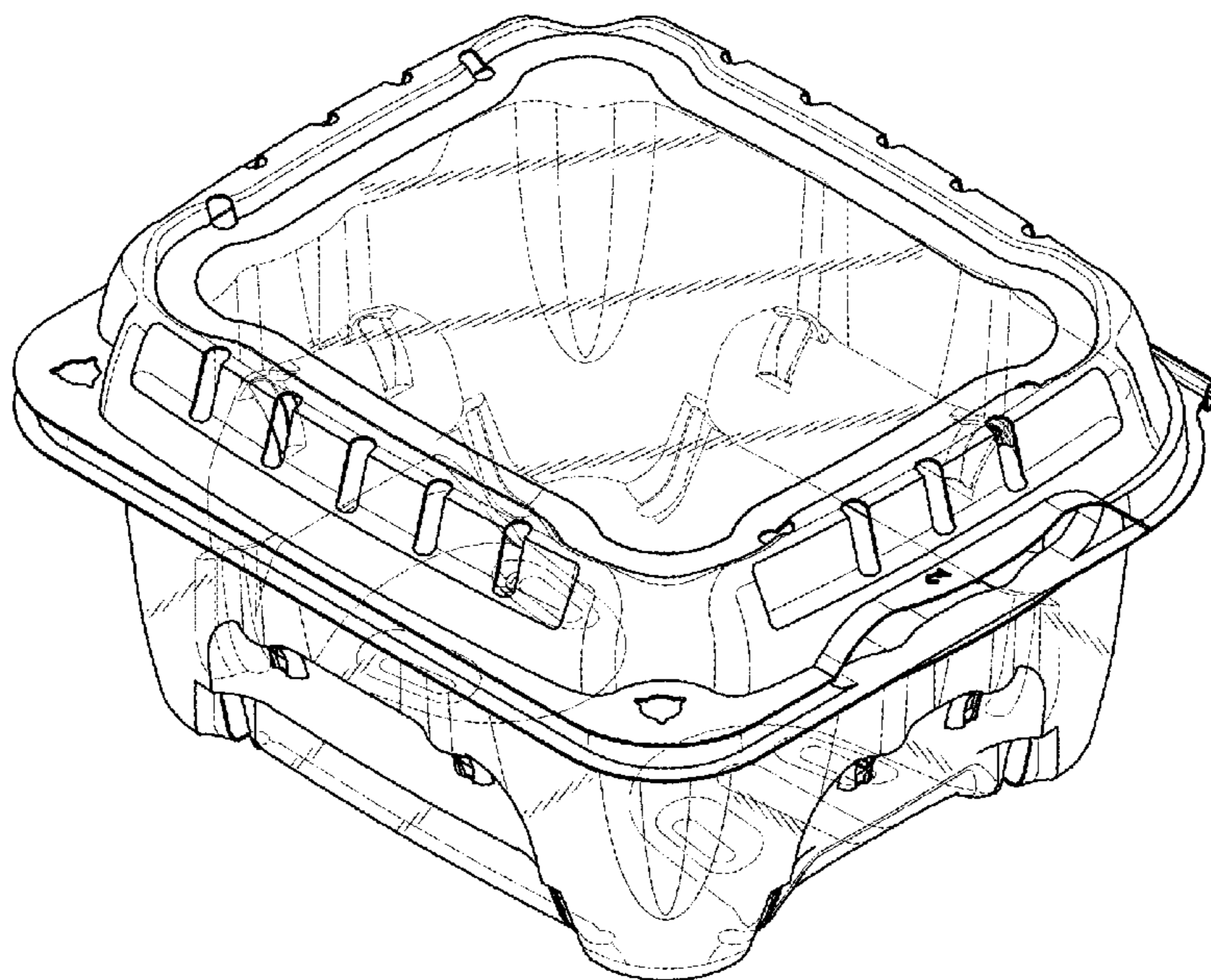
FIG. 1 is a top perspective view of a container showing our new design in an open position;
FIG. 2 is a top perspective view of thereof in a closed position;
FIG. 3 is a bottom perspective view of thereof;
FIG. 4 is a front elevational view thereof;
FIG. 5 is a back elevational view thereof;
FIG. 6 is a left elevational view thereof;
FIG. 7 is a right elevational view thereof;
FIG. 8 is a top plan view thereof; and,
FIG. 9 is a bottom plan view thereof.

1 Claim, 9 Drawing Sheets

(56) **References Cited**

U.S. PATENT DOCUMENTS

D569,243 S *	5/2008	Kidd	D9/425
D668,536 S *	10/2012	Sanfilippo	D9/423
D685,628 S *	7/2013	Durdon	D9/420
D708,942 S *	7/2014	Snedden	D9/435
D719,019 S *	12/2014	Avis	D9/424
D737,102 S *	8/2015	Hand	D7/542
D739,231 S *	9/2015	Snedden	D9/425
D750,480 S *	3/2016	Snedden	D9/426
D789,195 S *	6/2017	Pickard	D9/425
D793,225 S *	8/2017	Hu	D9/423
D795,015 S *	8/2017	Segal	D7/542
D796,948 S *	9/2017	Lam	D9/420
D801,806 S *	11/2017	Pickard	D9/425



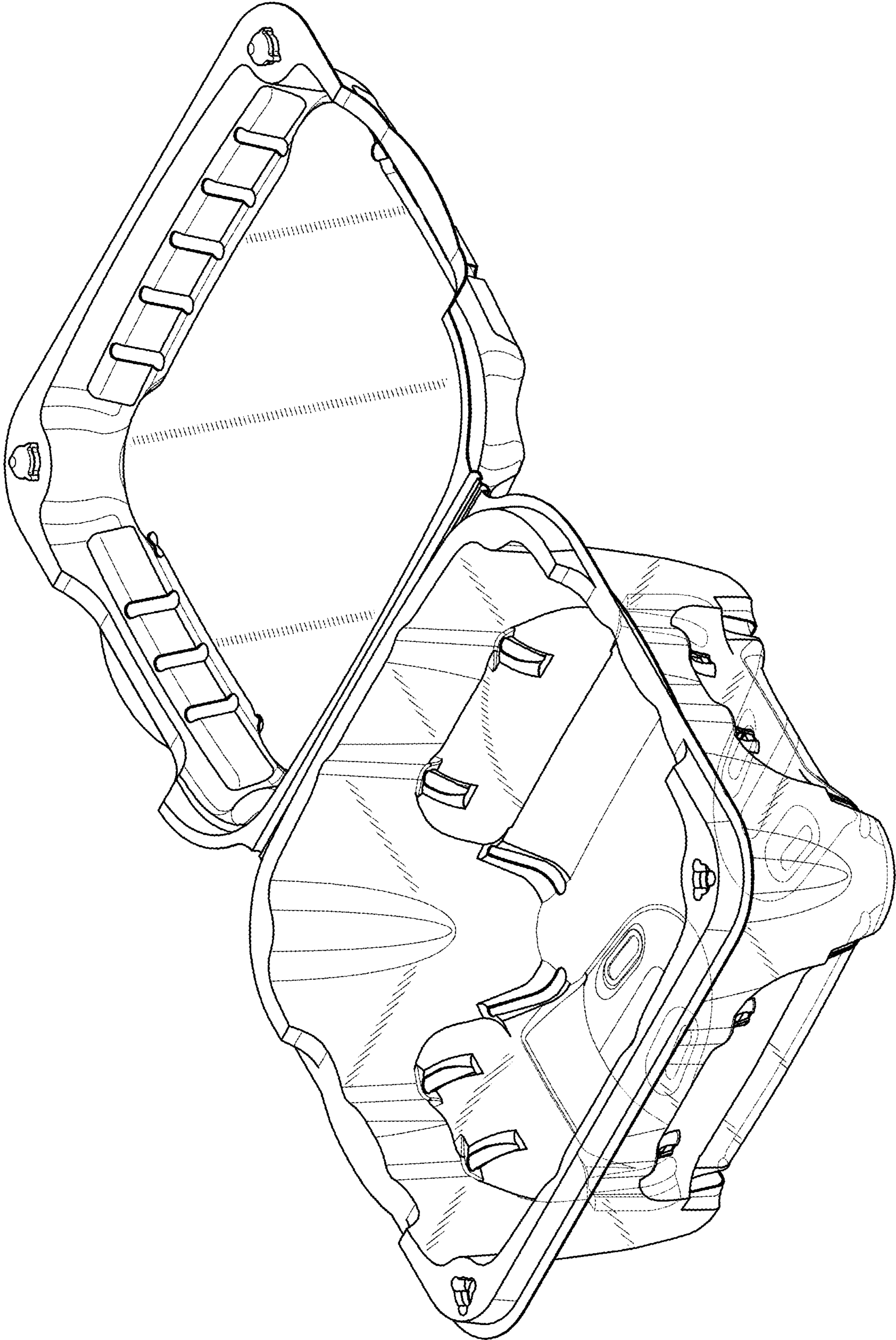


FIG. 1

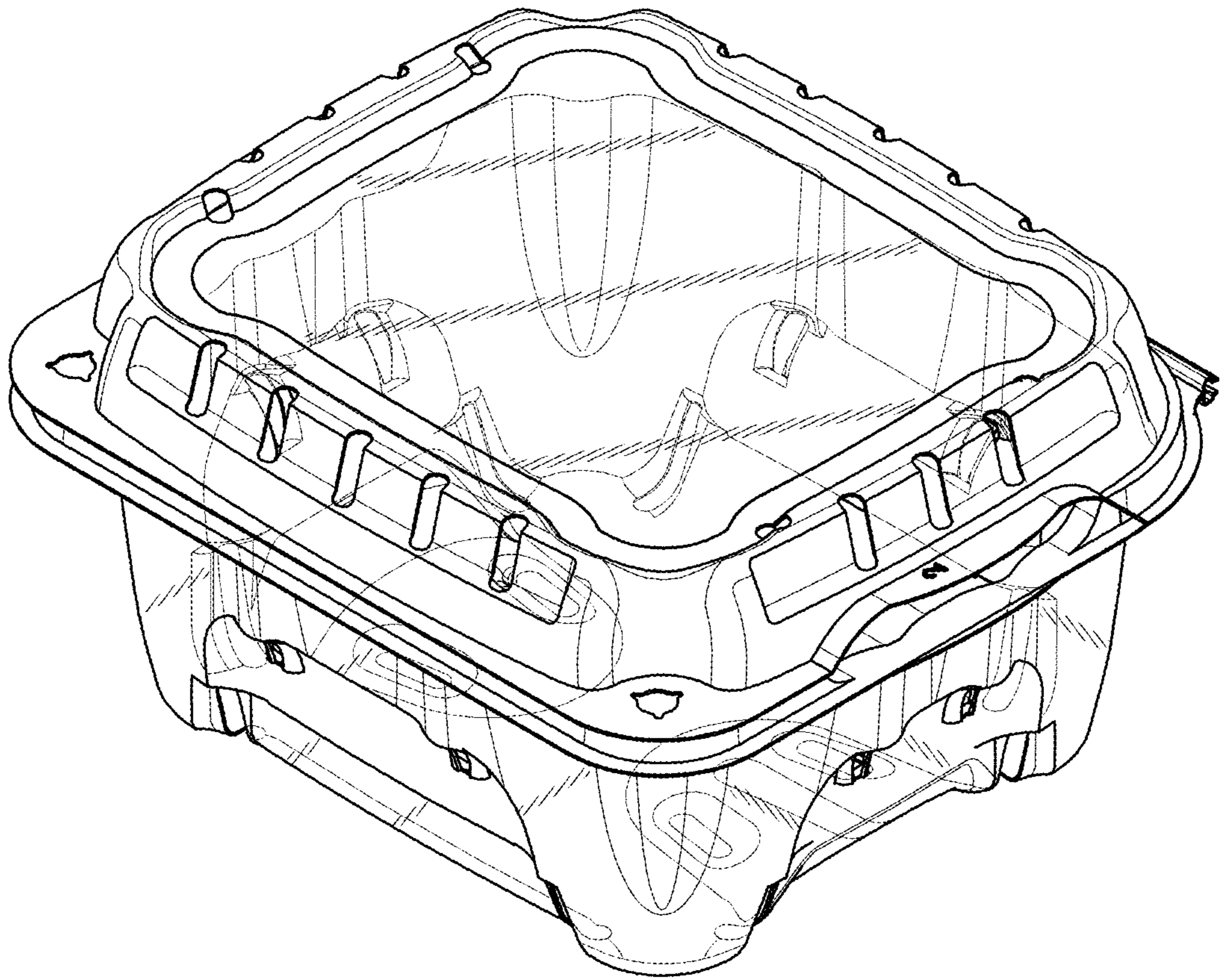


FIG. 2

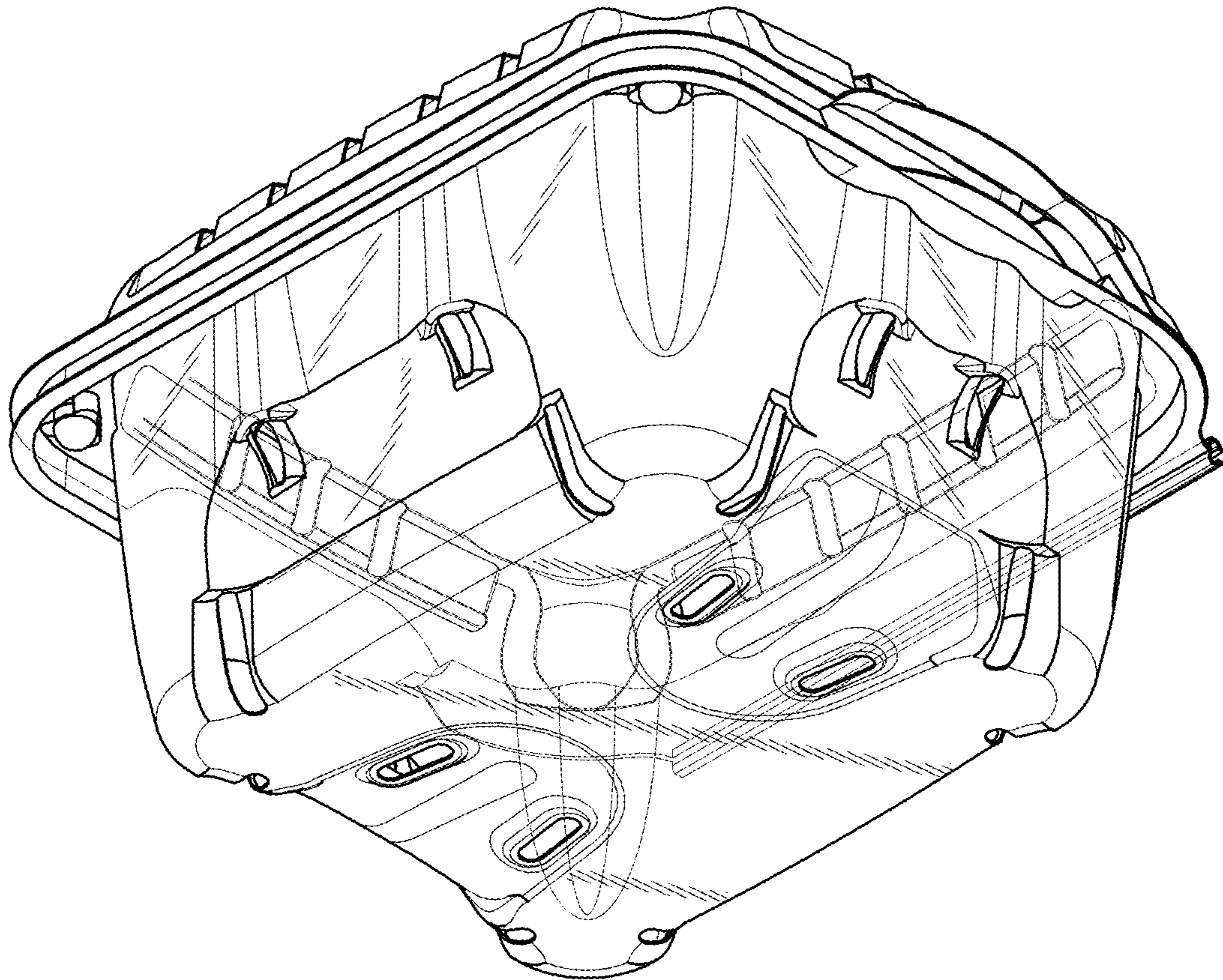


FIG. 3

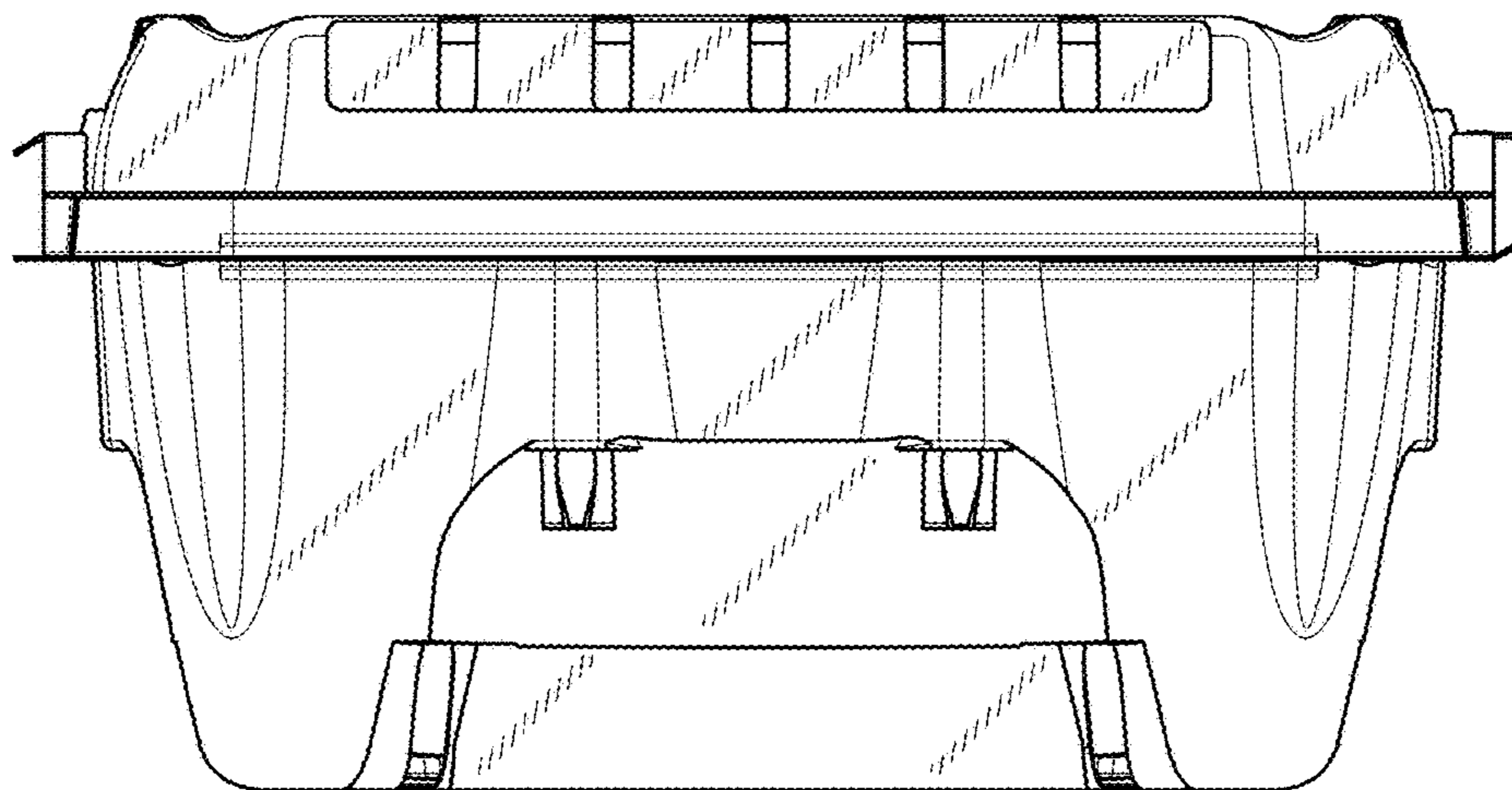


FIG. 4

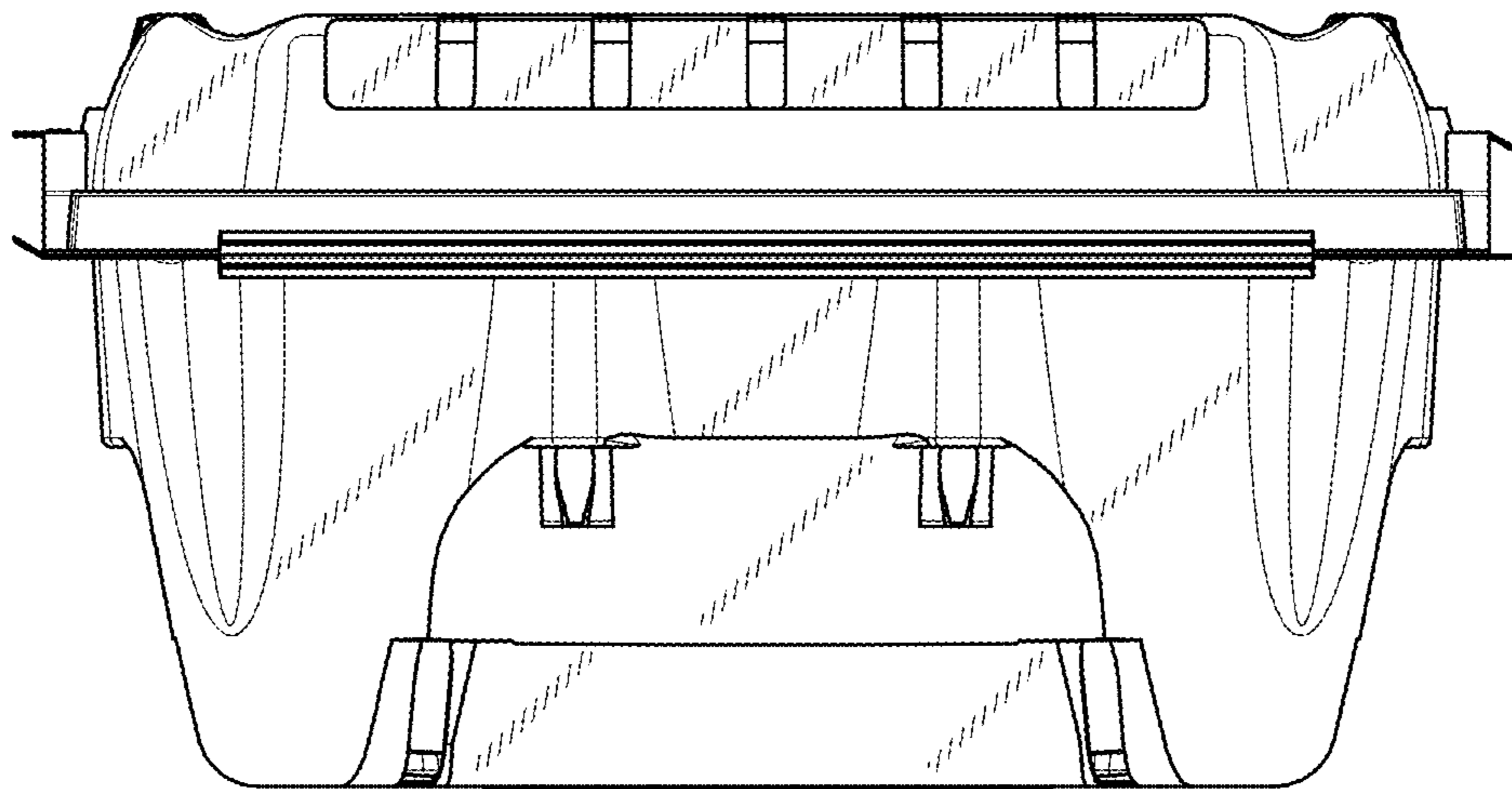


FIG. 5

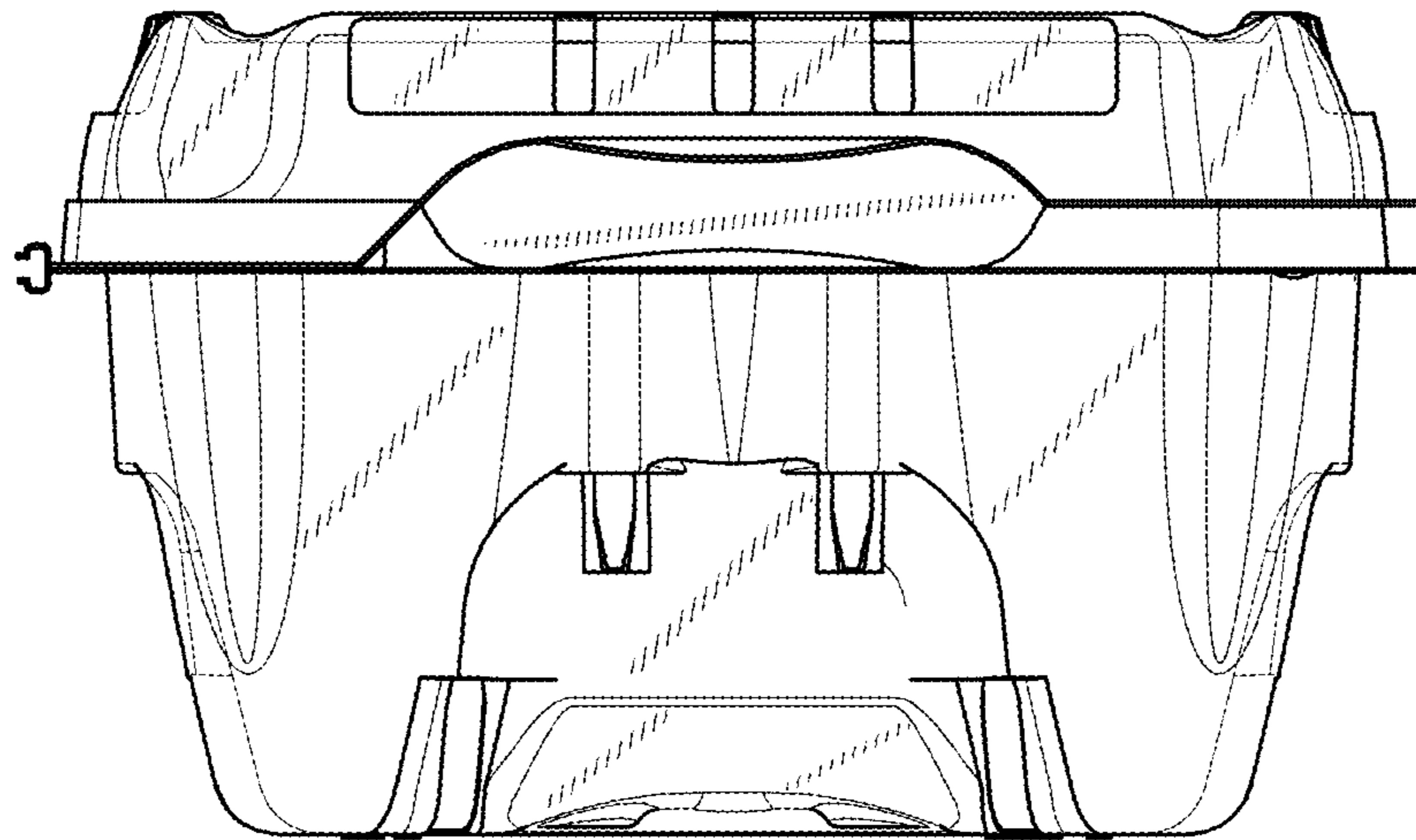


FIG. 6

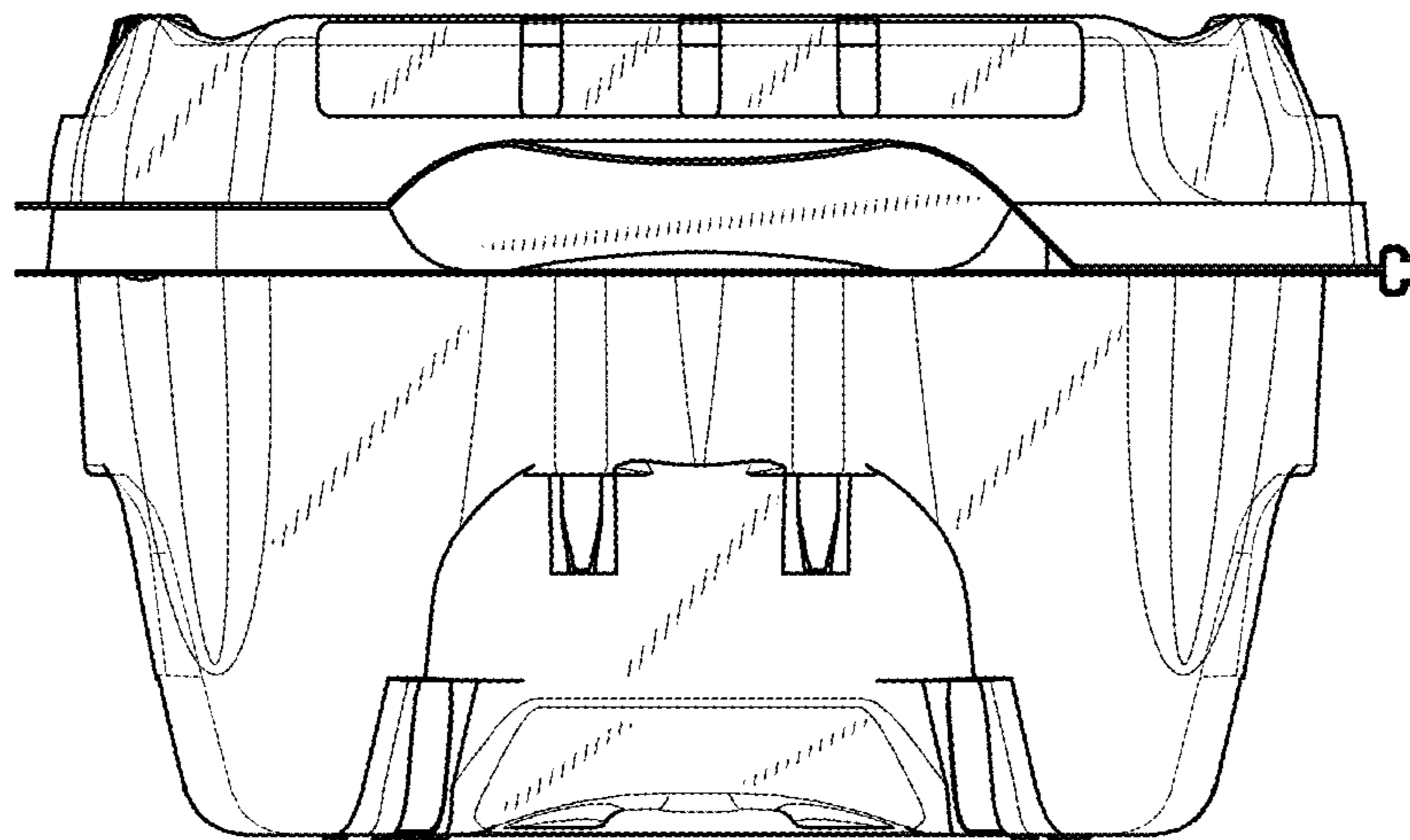


FIG. 7

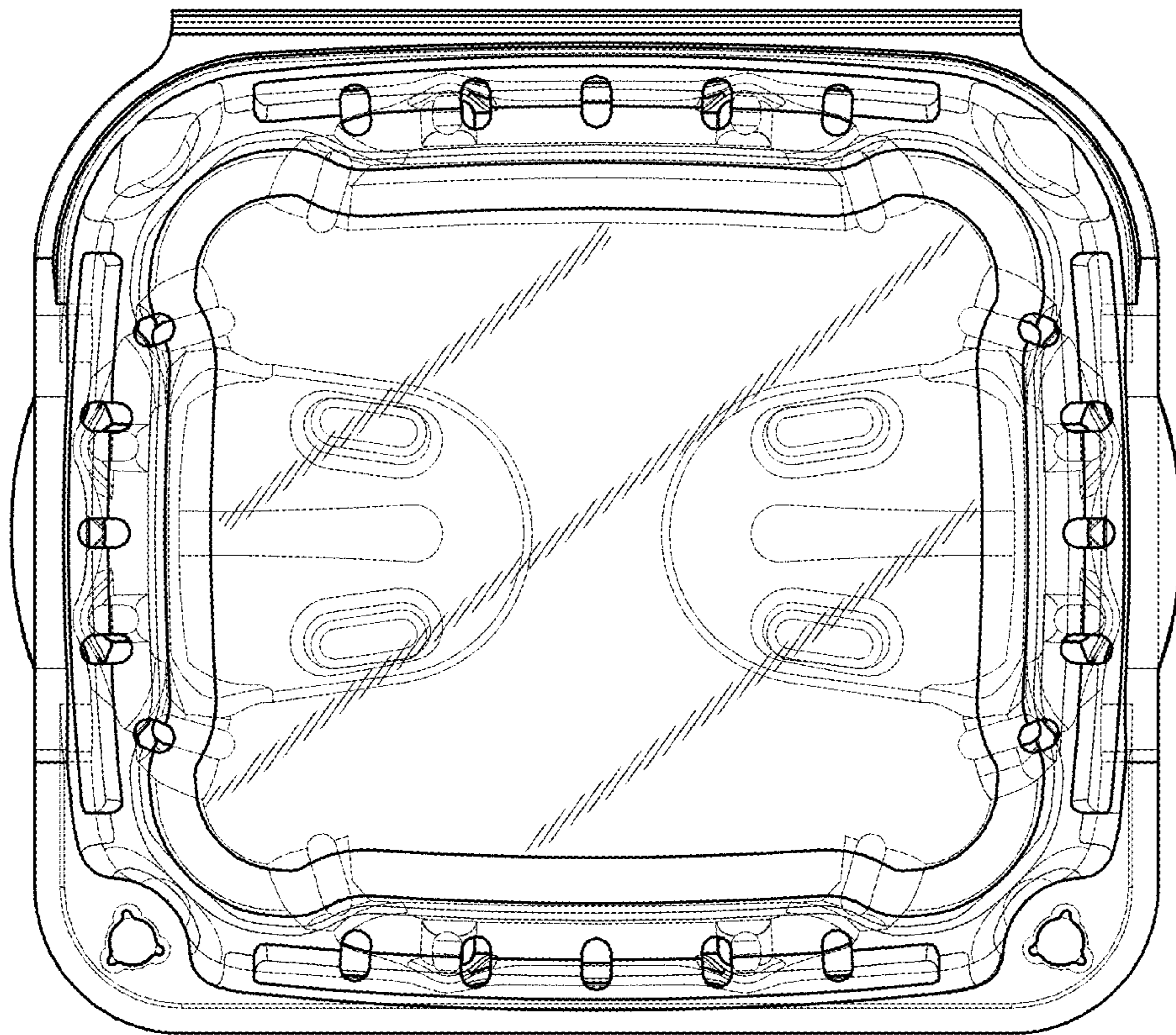


FIG. 8

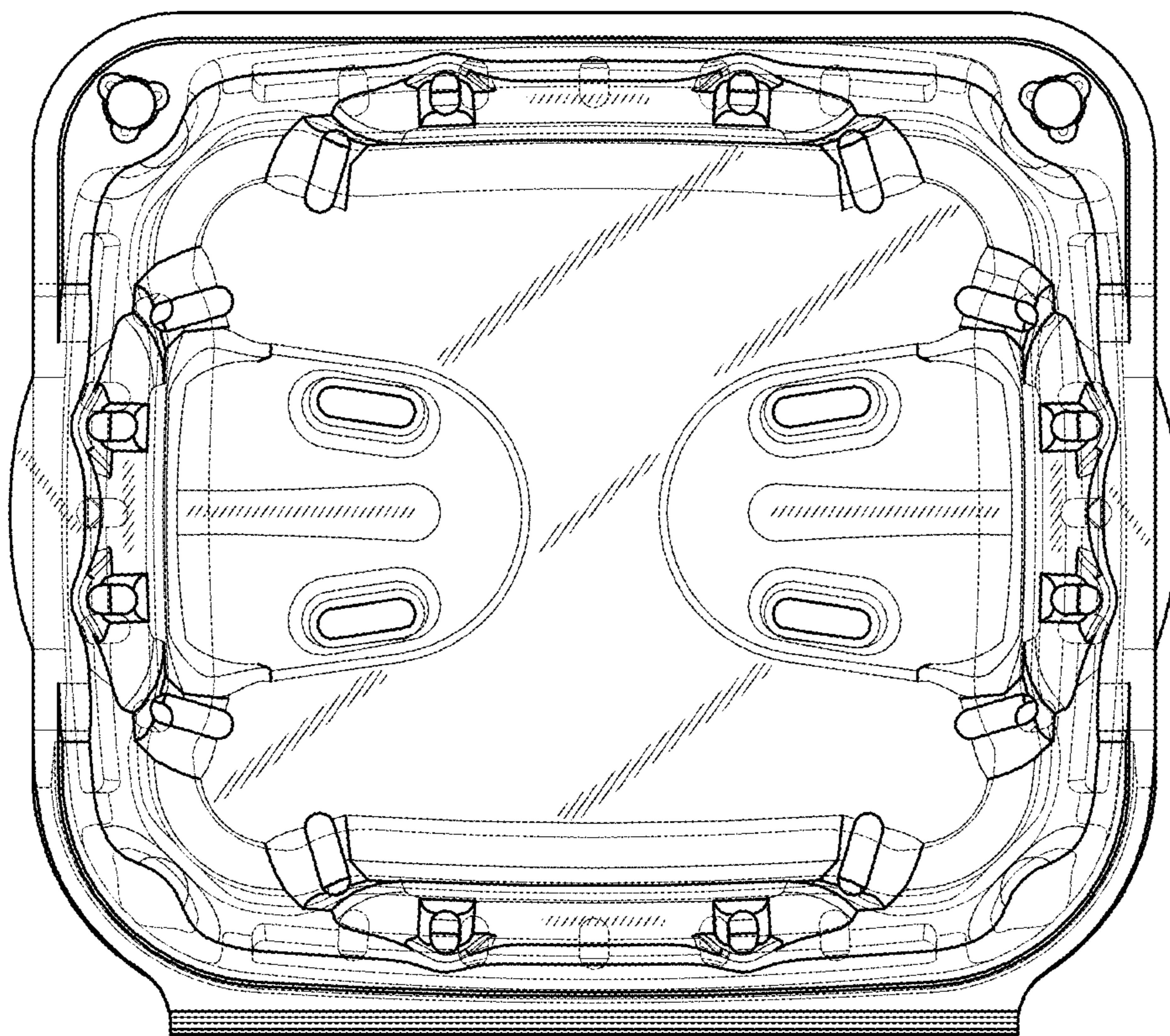


FIG. 9