



US00D837601S

(12) **United States Design Patent** (10) **Patent No.:** **US D837,601 S**
Silsby (45) **Date of Patent:** **** Jan. 8, 2019**

(54) **BEVERAGE CONTAINER**

(71) Applicant: **Pacific Market International, LLC**,
Seattle, WA (US)

(72) Inventor: **Jacob D. Silsby**, Seattle, WA (US)

(73) Assignee: **Pacific Market International, LLC**,
Seattle, WA (US)

(**) Term: **15 Years**

(21) Appl. No.: **29/611,373**

(22) Filed: **Jul. 20, 2017**

(51) **LOC (11) Cl.** **07-01**

(52) **U.S. Cl.**
USPC **D7/536; D7/532**

(58) **Field of Classification Search**
USPC D7/507, 509, 510, 511, 523, 532, 533,
D7/536, 524, 537, 513; 220/592.16,
220/592.17; D11/143, 144; D9/454, 440
CPC A47G 19/2205; A47G 19/2227; A47G
19/22; A47G 19/2266
See application file for complete search history.

(56) **References Cited**

U.S. PATENT DOCUMENTS

- 2,509,851 A * 5/1950 White A47G 19/2227
116/155
- 3,715,895 A * 2/1973 Devlin A23G 9/045
62/438
- D226,962 S * 5/1973 Krock D7/536
- D232,010 S * 7/1974 Steinmann D7/533
- D243,911 S * 4/1977 Thorud D7/536
- 4,357,809 A * 11/1982 Held A47G 19/2288
215/12.2
- 4,618,066 A * 10/1986 Vail A47J 41/00
206/217
- D290,568 S * 6/1987 Feltman D7/536
- 4,984,707 A * 1/1991 Fierthaler A47G 19/2205
200/217
- D314,308 S * 2/1991 Cogswell D10/2

(Continued)

OTHER PUBLICATIONS

Stanley ADV Stein, 1 page, Stanley product publicly disclosed prior to Jul. 20, 2017.

(Continued)

Primary Examiner — Marianne N Pandozzi

Assistant Examiner — Jae Liang

(74) *Attorney, Agent, or Firm* — George C. Rondeau, Jr.;
Davis Wright Tremaine LLP

(57) **CLAIM**

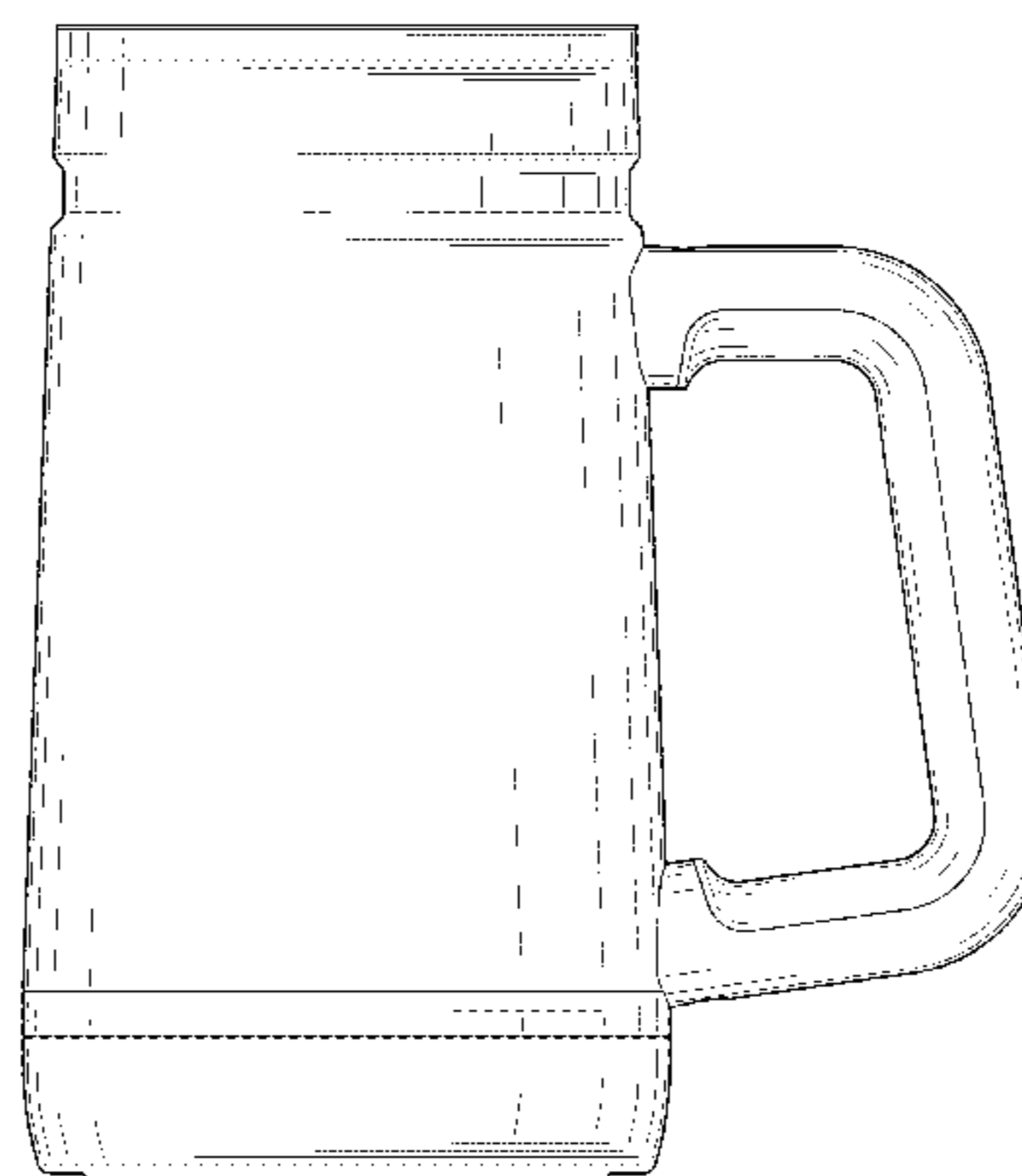
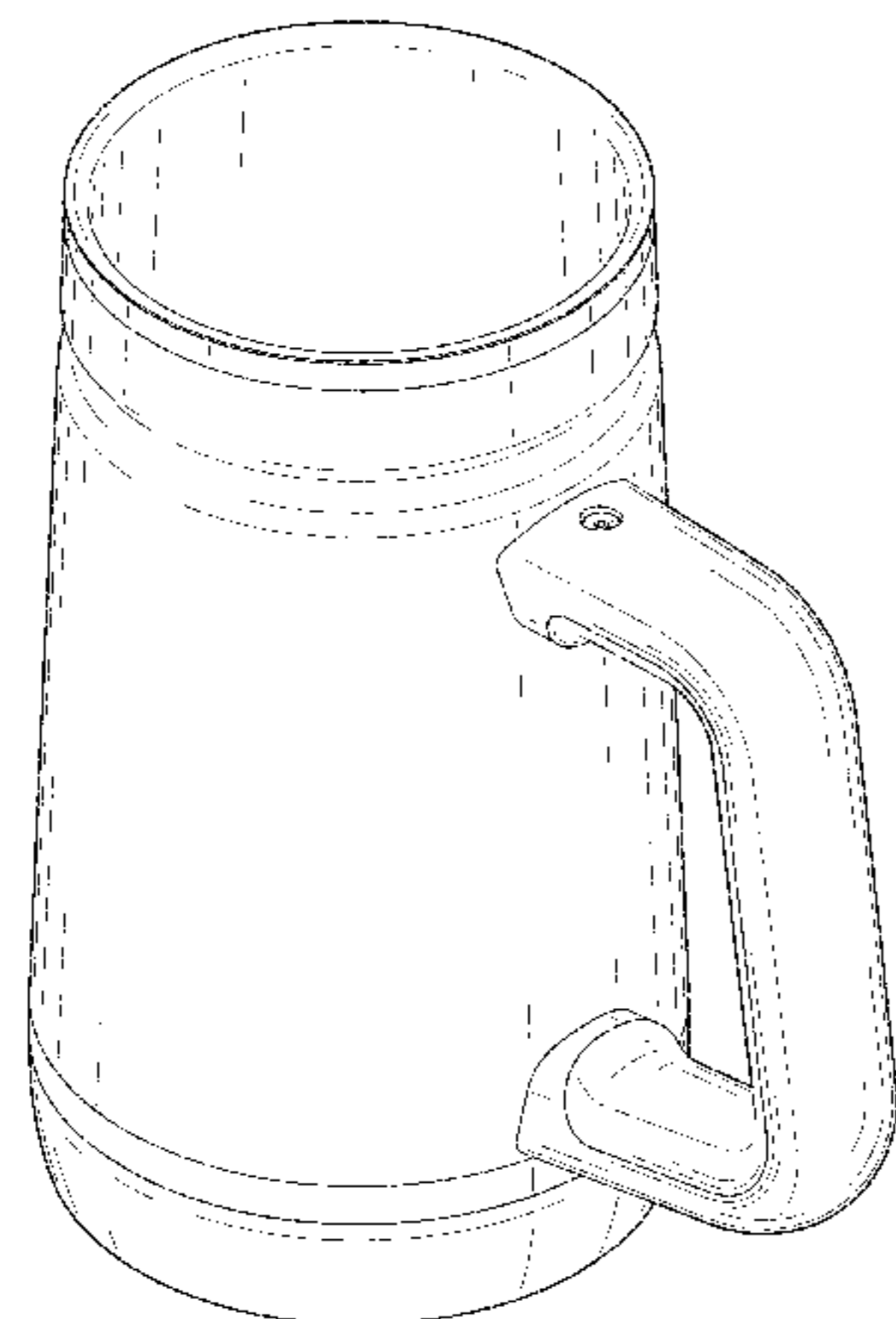
The ornamental design for a beverage container, as shown and described.

DESCRIPTION

FIG. 1 is a top perspective view of a first embodiment of a beverage container showing my new design;
 FIG. 2 is a bottom perspective view thereof;
 FIG. 3 is a front elevational view thereof;
 FIG. 4 is a right side elevational view thereof;
 FIG. 5 is a rear side elevational view thereof;
 FIG. 6 is a left elevational view thereof;
 FIG. 7 is a top plan view thereof;
 FIG. 8 is a bottom plan view thereof;
 FIG. 9 is a top perspective view of a second embodiment thereof;
 FIG. 10 is a bottom perspective view thereof;
 FIG. 11 is a front elevational view thereof;
 FIG. 12 is a right side elevational view thereof;
 FIG. 13 is a rear side elevational view thereof;
 FIG. 14 is a left elevational view thereof;
 FIG. 15 is a top plan view thereof; and,
 FIG. 16 is a bottom plan view thereof.

The broken lines in the drawings depict portions of the beverage container that form no part of the claimed design.

1 Claim, 14 Drawing Sheets



(56)

References Cited

U.S. PATENT DOCUMENTS

5,573,141 A * 11/1996 Chen A47G 19/2288
 220/592.17
 D434,275 S * 11/2000 Ginuntoli D7/510
 D438,429 S * 3/2001 Otake D7/510
 D457,036 S * 5/2002 Manuel D7/533
 6,747,918 B2 * 6/2004 Hight A47G 19/2227
 206/217
 D524,107 S * 7/2006 El-Saden D7/523
 D569,191 S * 5/2008 Germany D7/509
 D586,606 S * 2/2009 Ma D7/317
 D601,852 S * 10/2009 Newman D7/523
 D620,314 S * 7/2010 Dorsey D7/507
 8,439,221 B2 * 5/2013 Davis A45C 11/20
 220/592.01
 D684,819 S * 6/2013 Smith D7/514
 D697,412 S * 1/2014 Jenkins D9/445
 D733,499 S * 7/2015 Perman D7/536
 D734,096 S * 7/2015 George D7/509
 D761,060 S * 7/2016 Thonis D7/536
 D797,511 S * 9/2017 Specht D7/523
 D813,606 S * 3/2018 O’Nan D7/532
 D817,093 S * 5/2018 Silsby D7/510
 D817,094 S * 5/2018 Silsby D7/510
 2011/0114648 A1 * 5/2011 Proskey B65D 81/3874
 220/592.17

OTHER PUBLICATIONS

Stanly Classic Stein, 1 page, Stanley product publicly disclosed prior to Jul. 20, 2017.

* cited by examiner

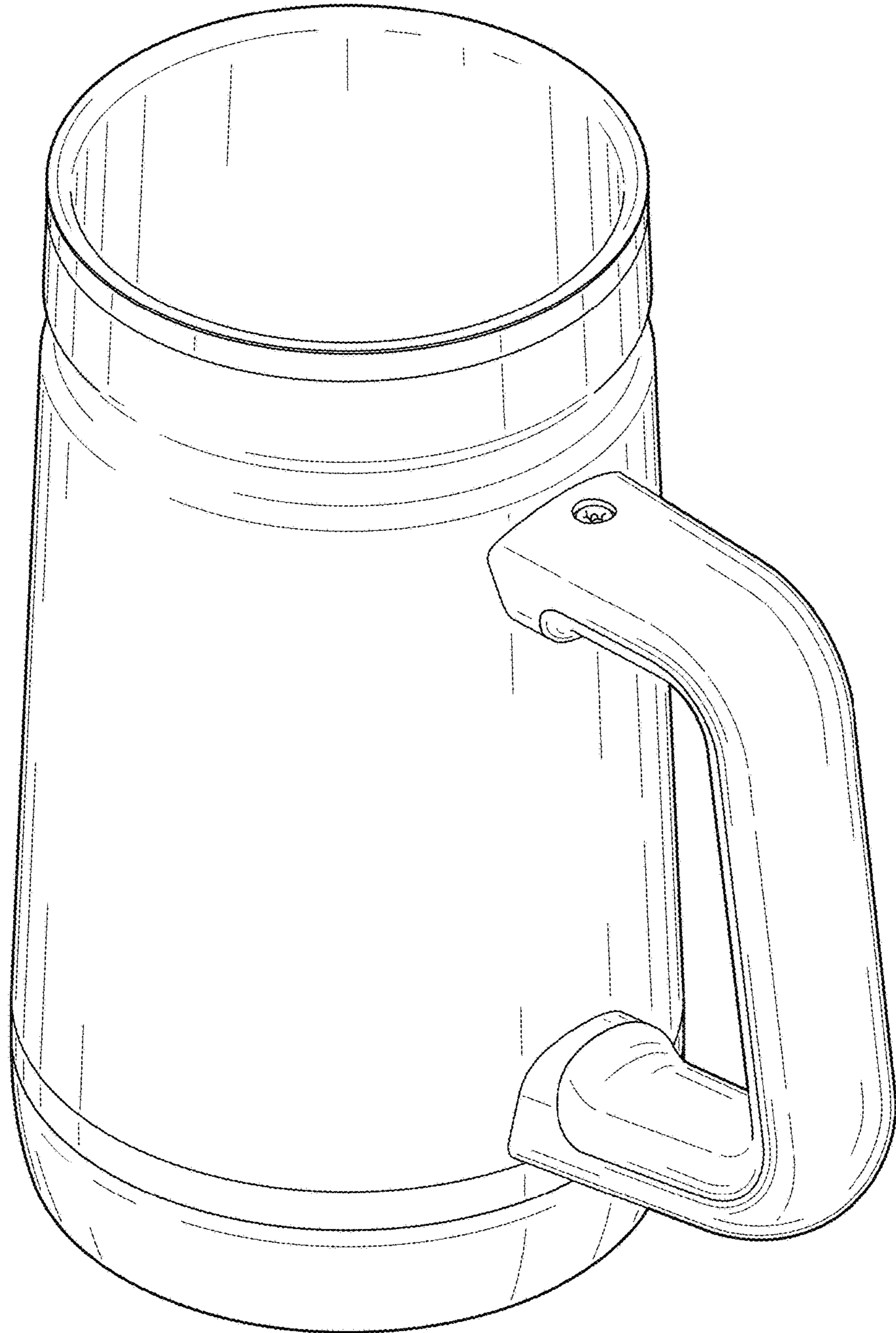


FIG. 1

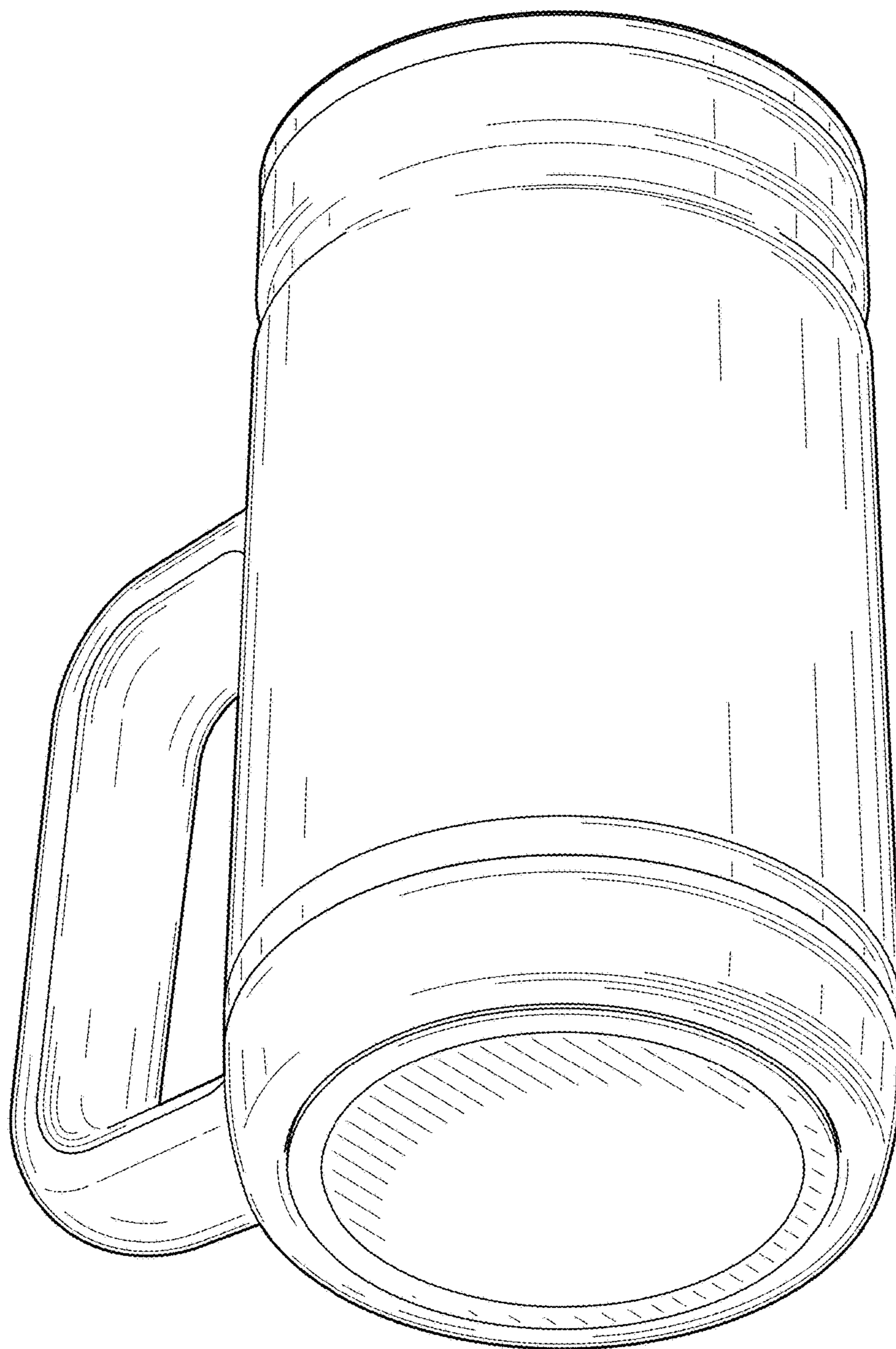


FIG. 2

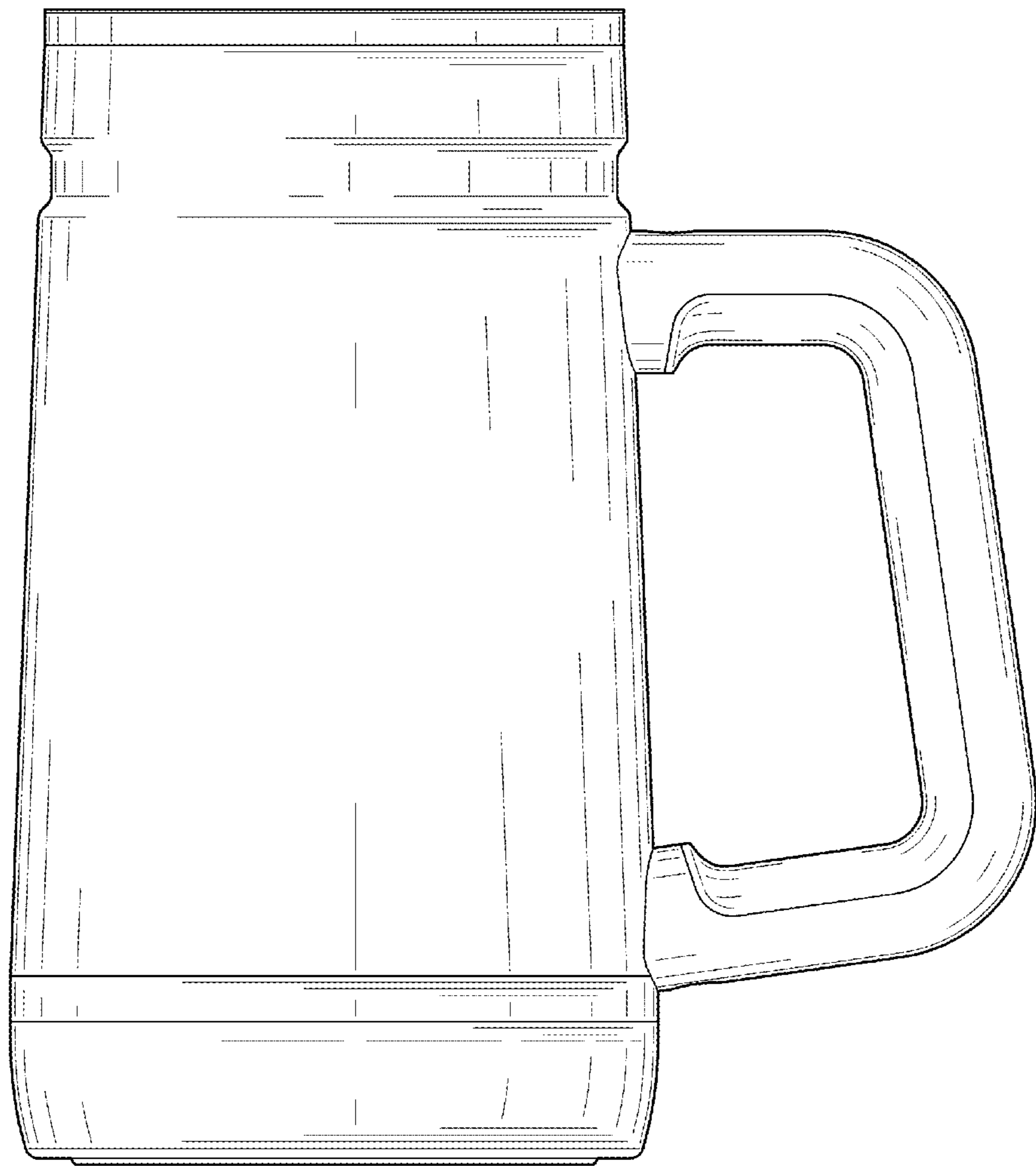


FIG. 3

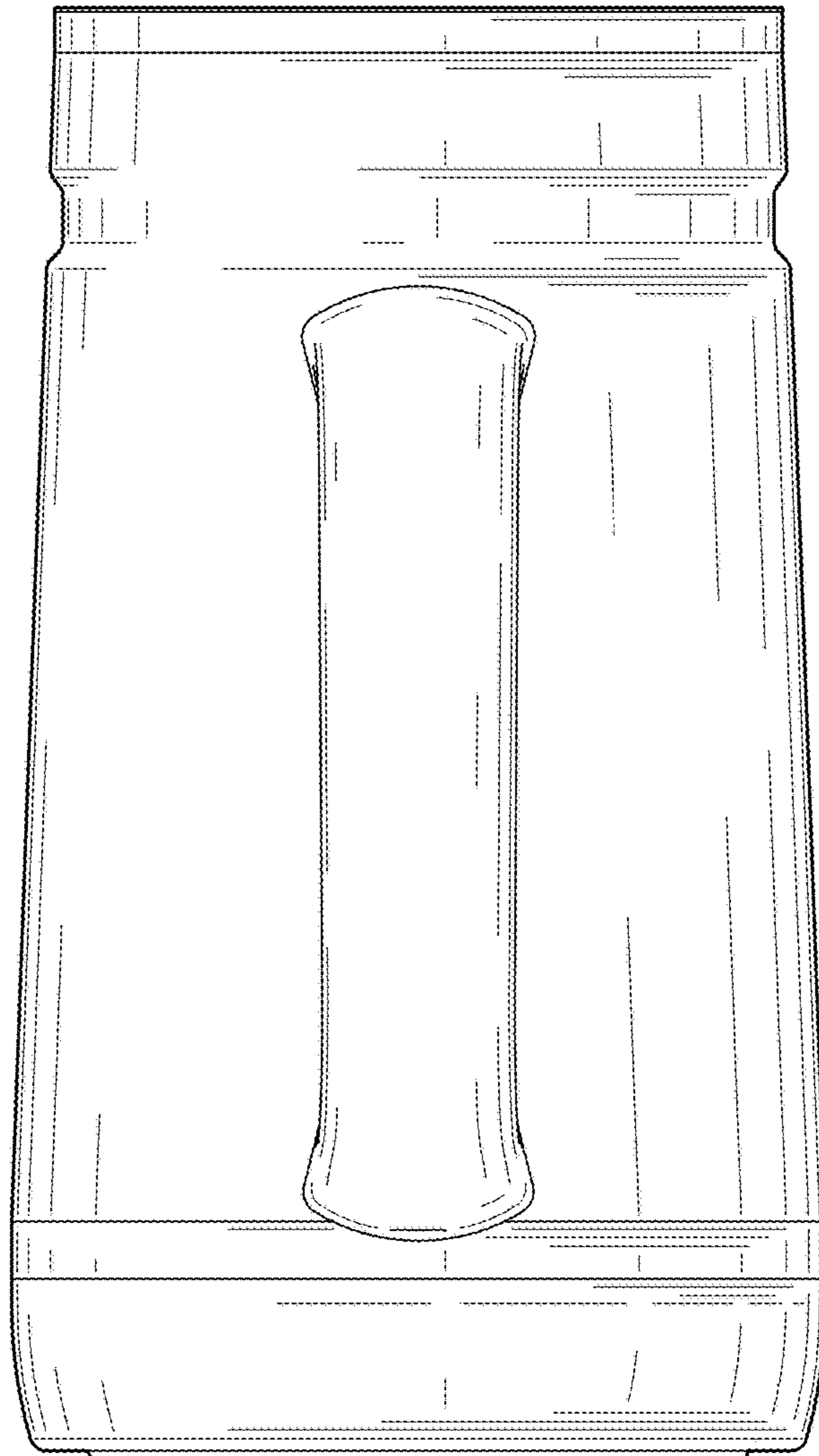


FIG. 4

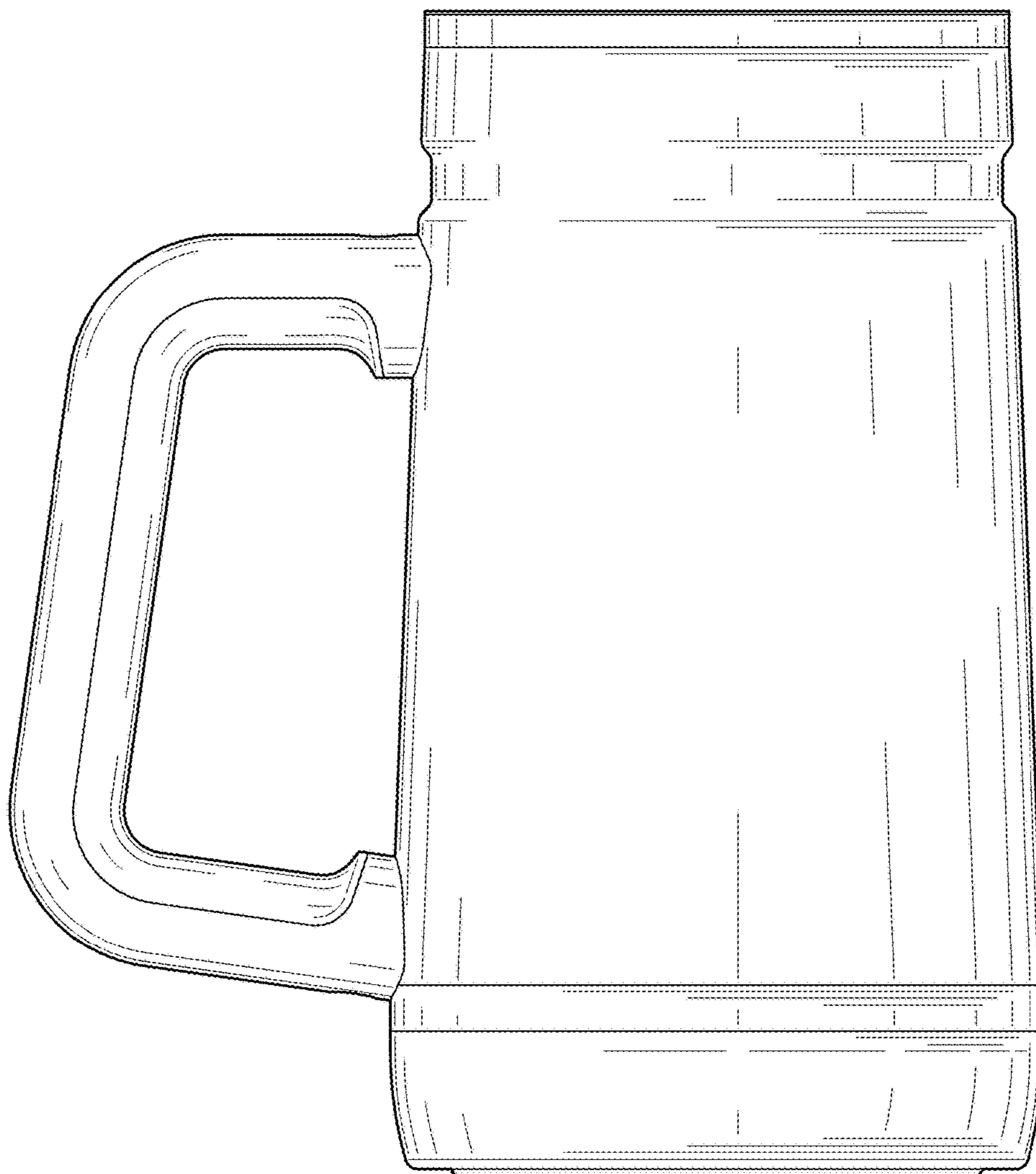


FIG. 5

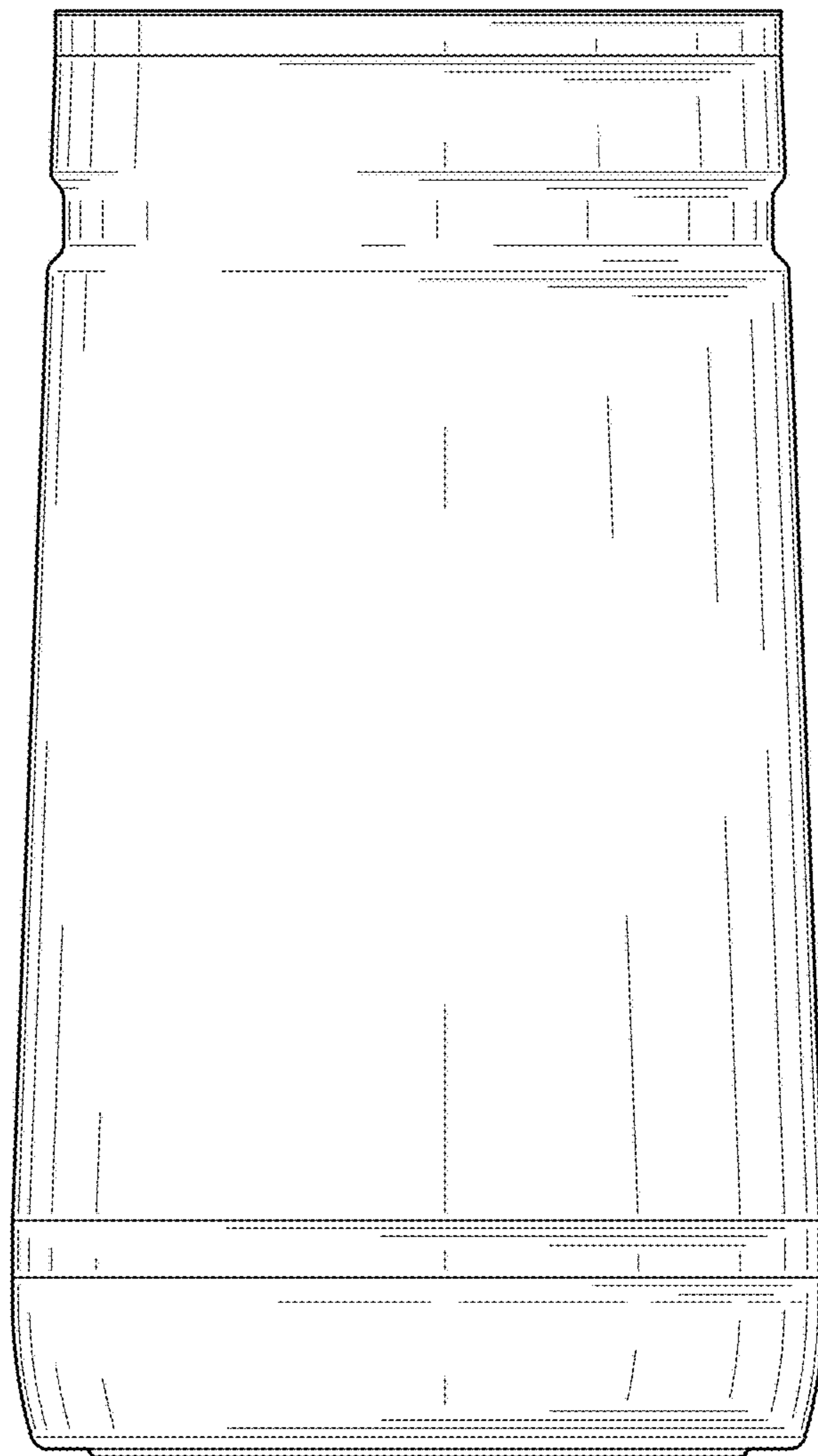


FIG. 6

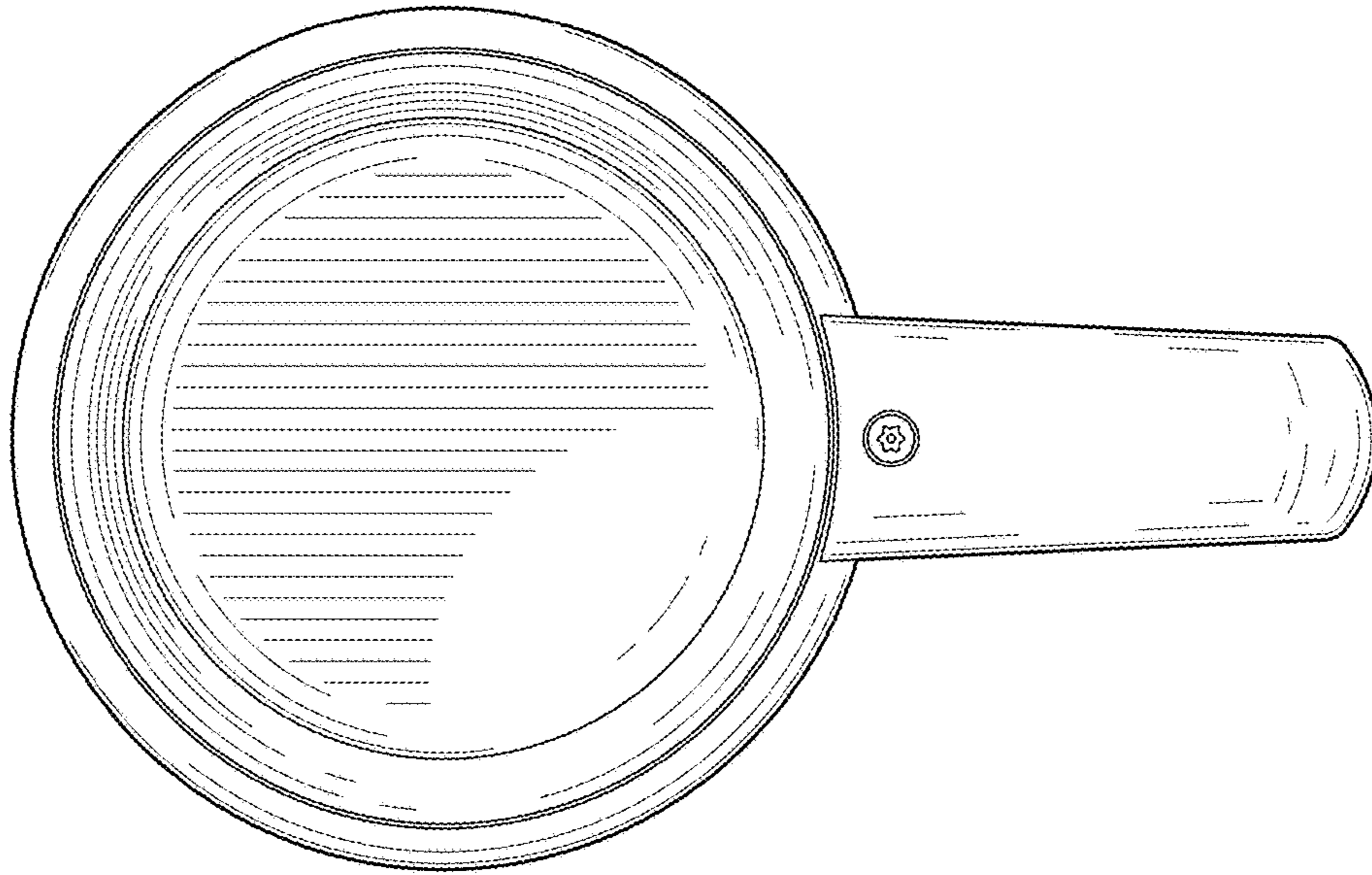


FIG. 7

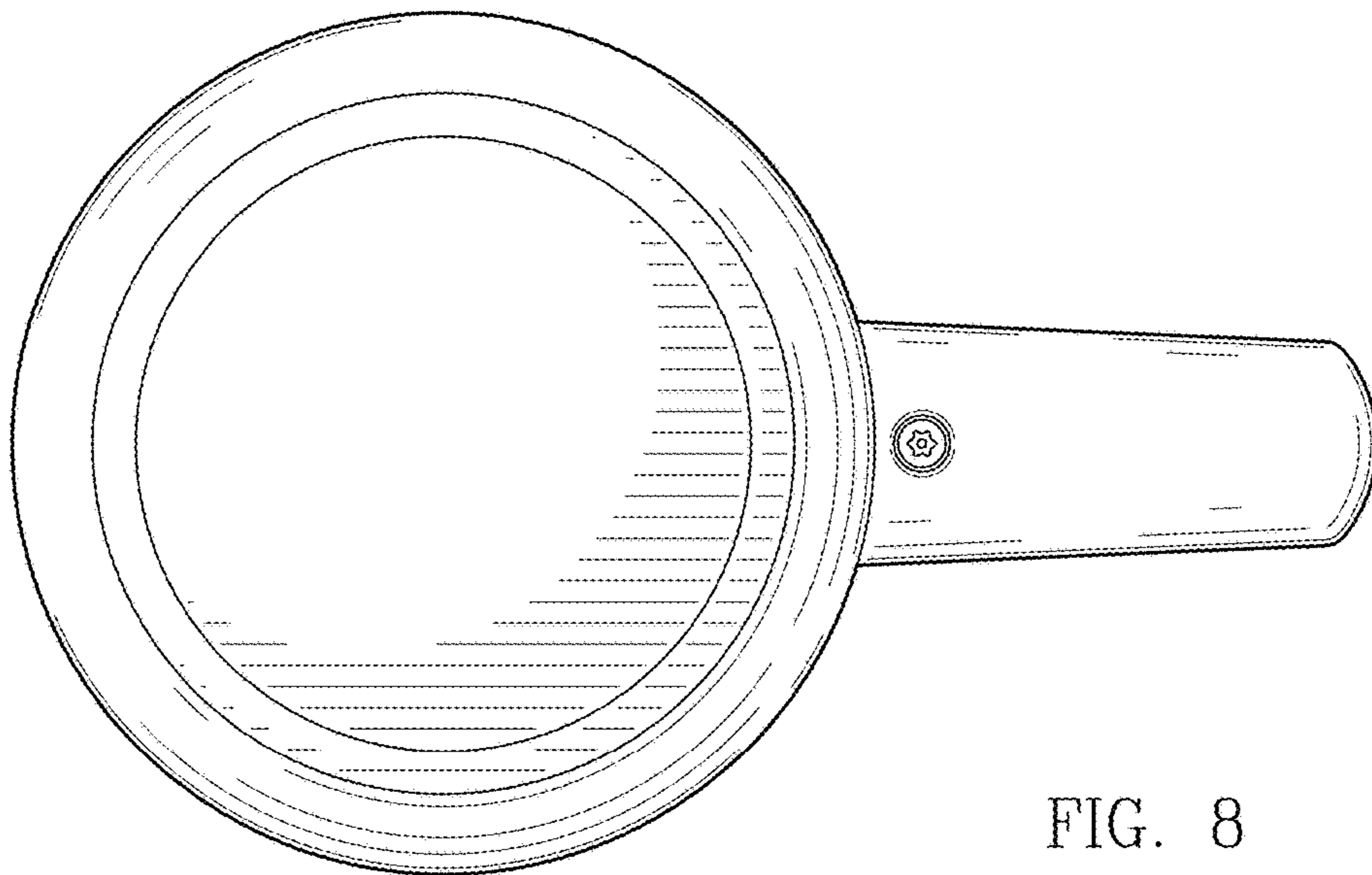


FIG. 8

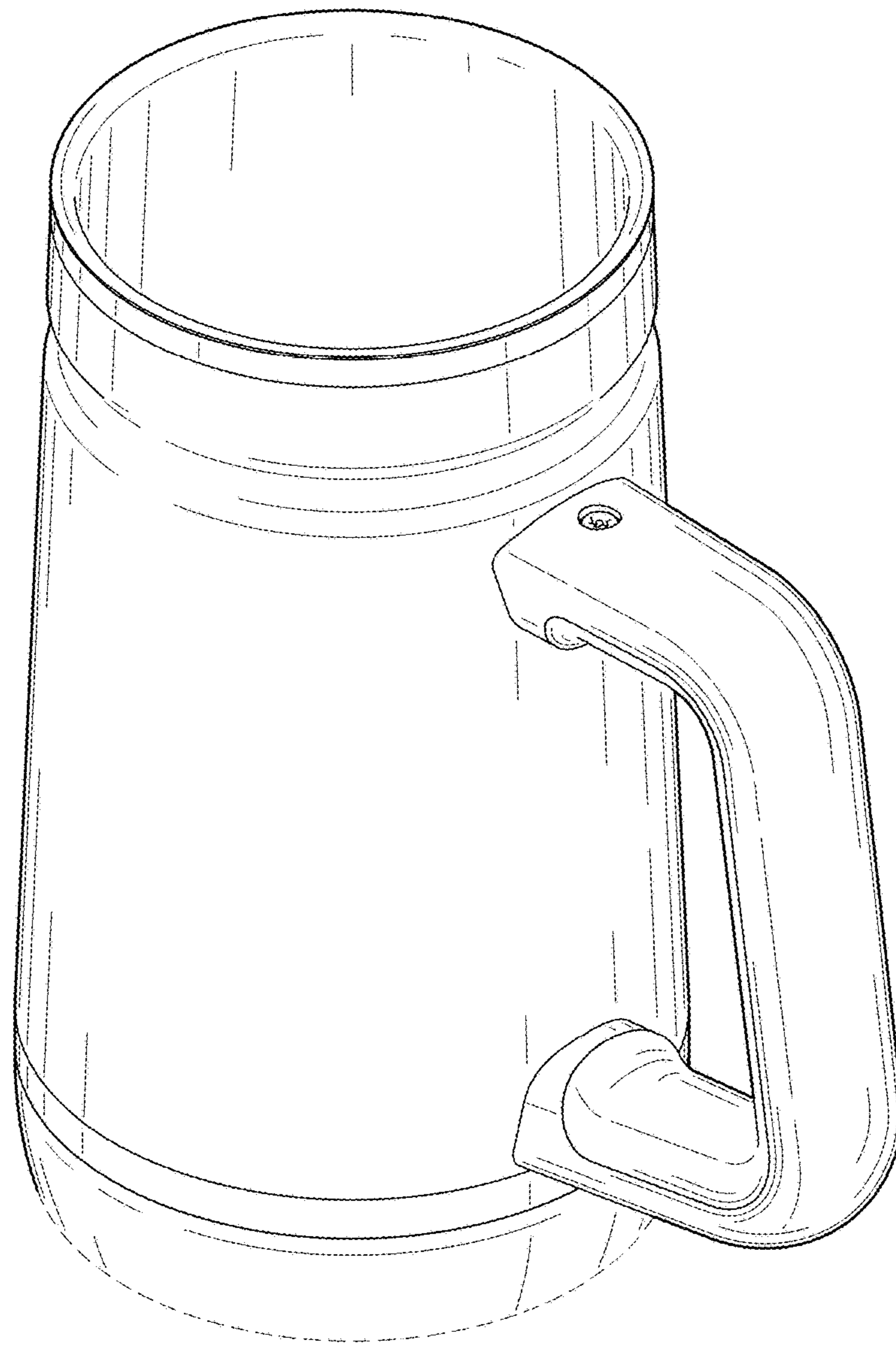


FIG. 9

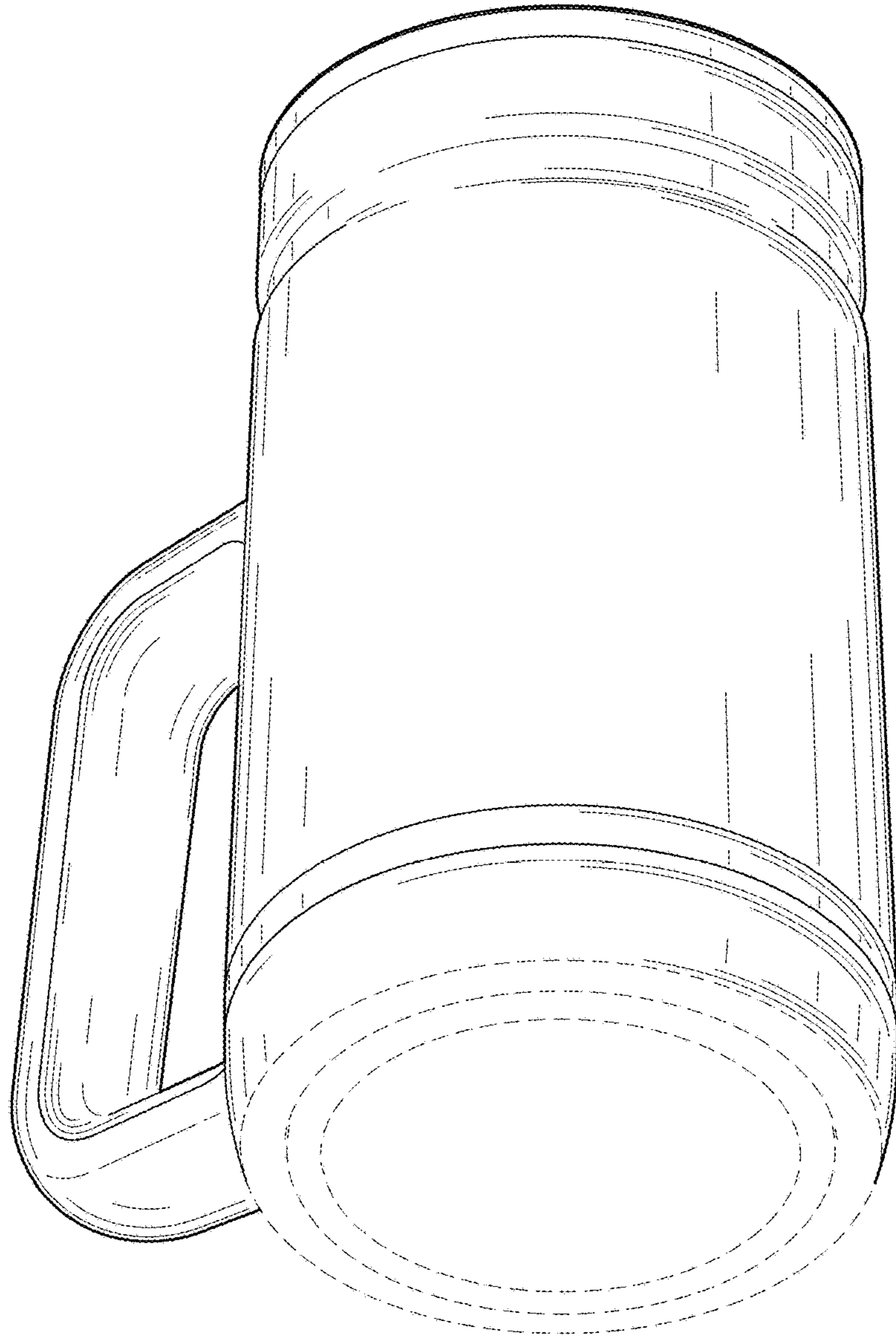


FIG. 10

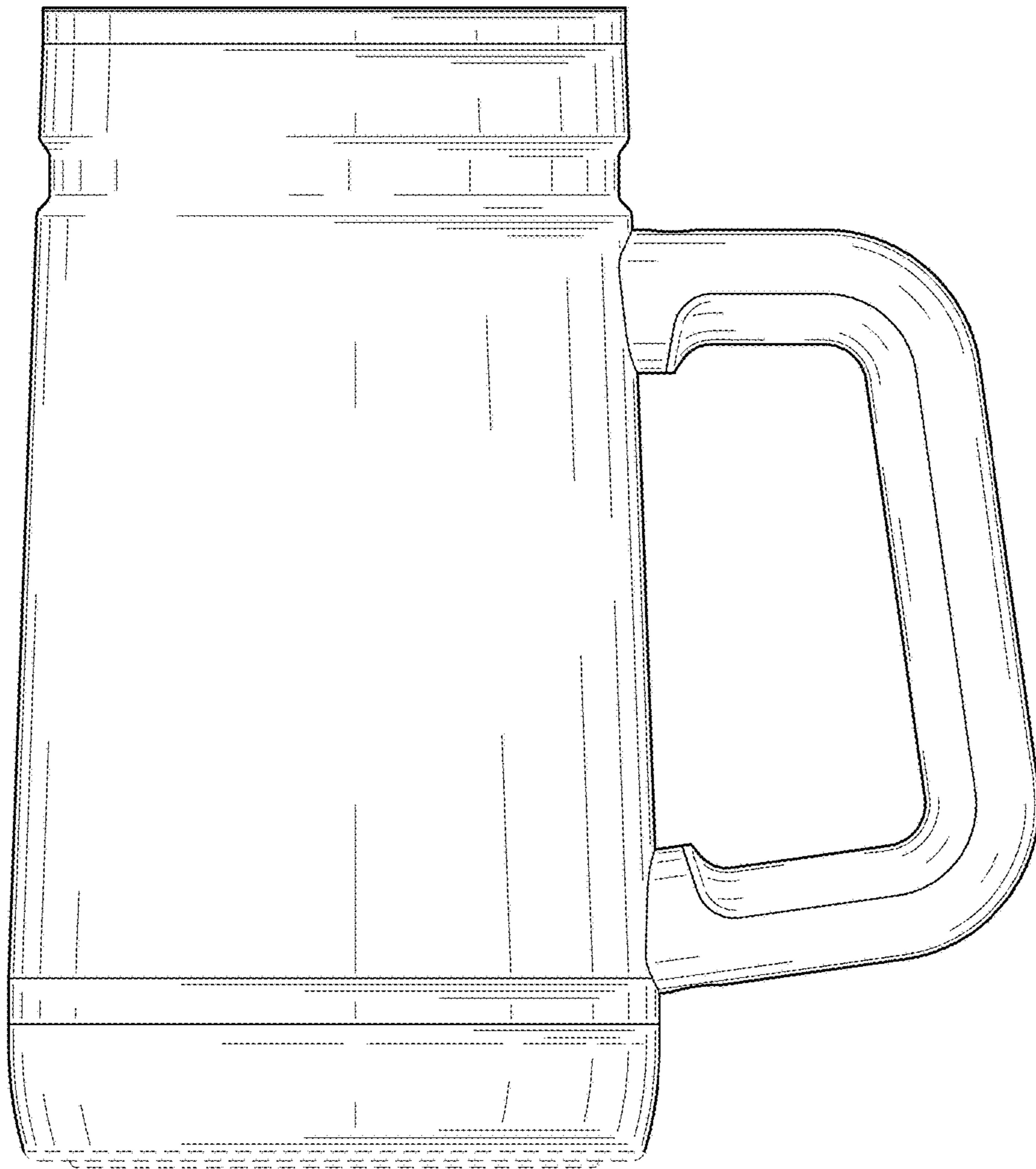


FIG. 11

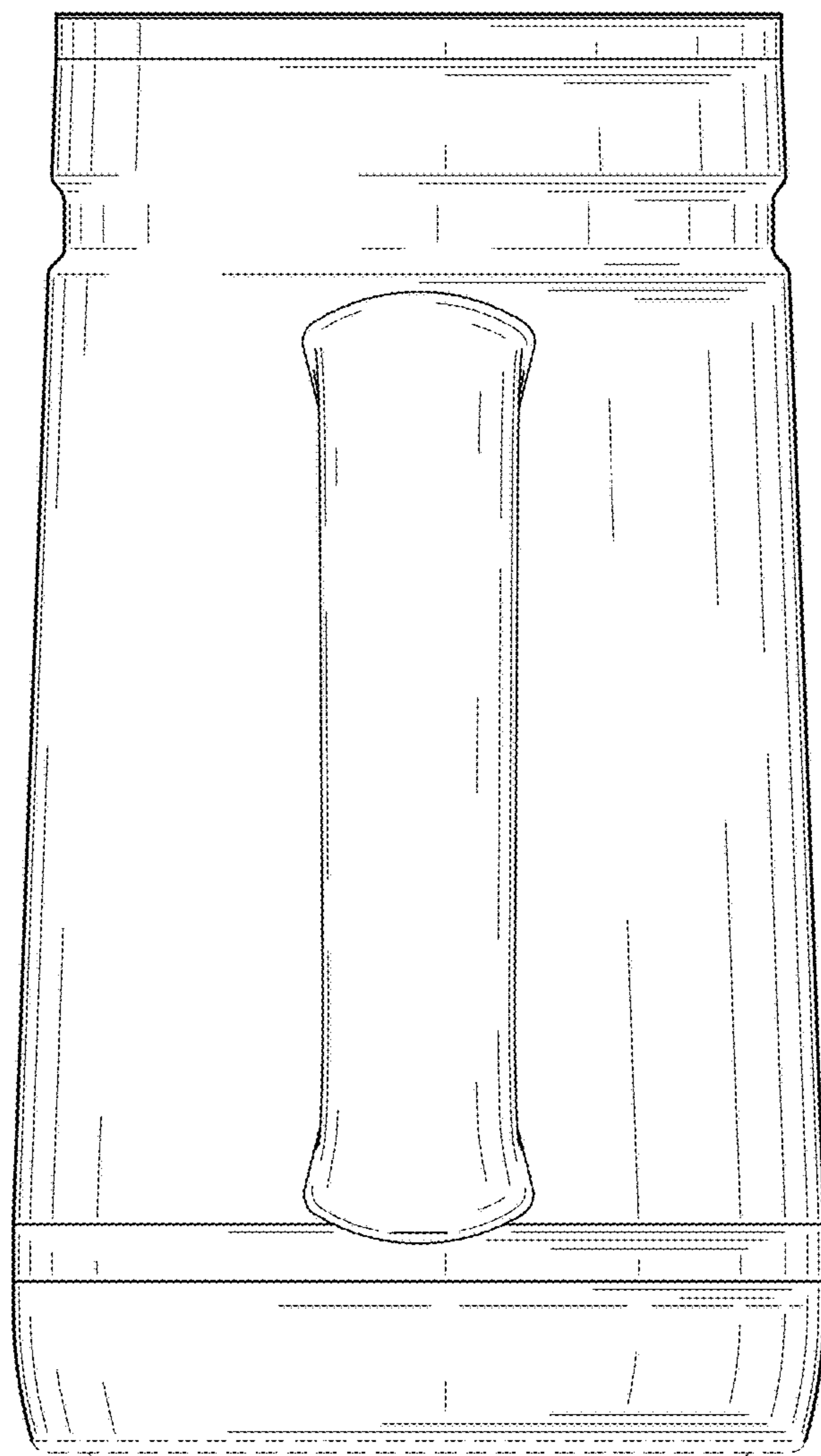


FIG. 12

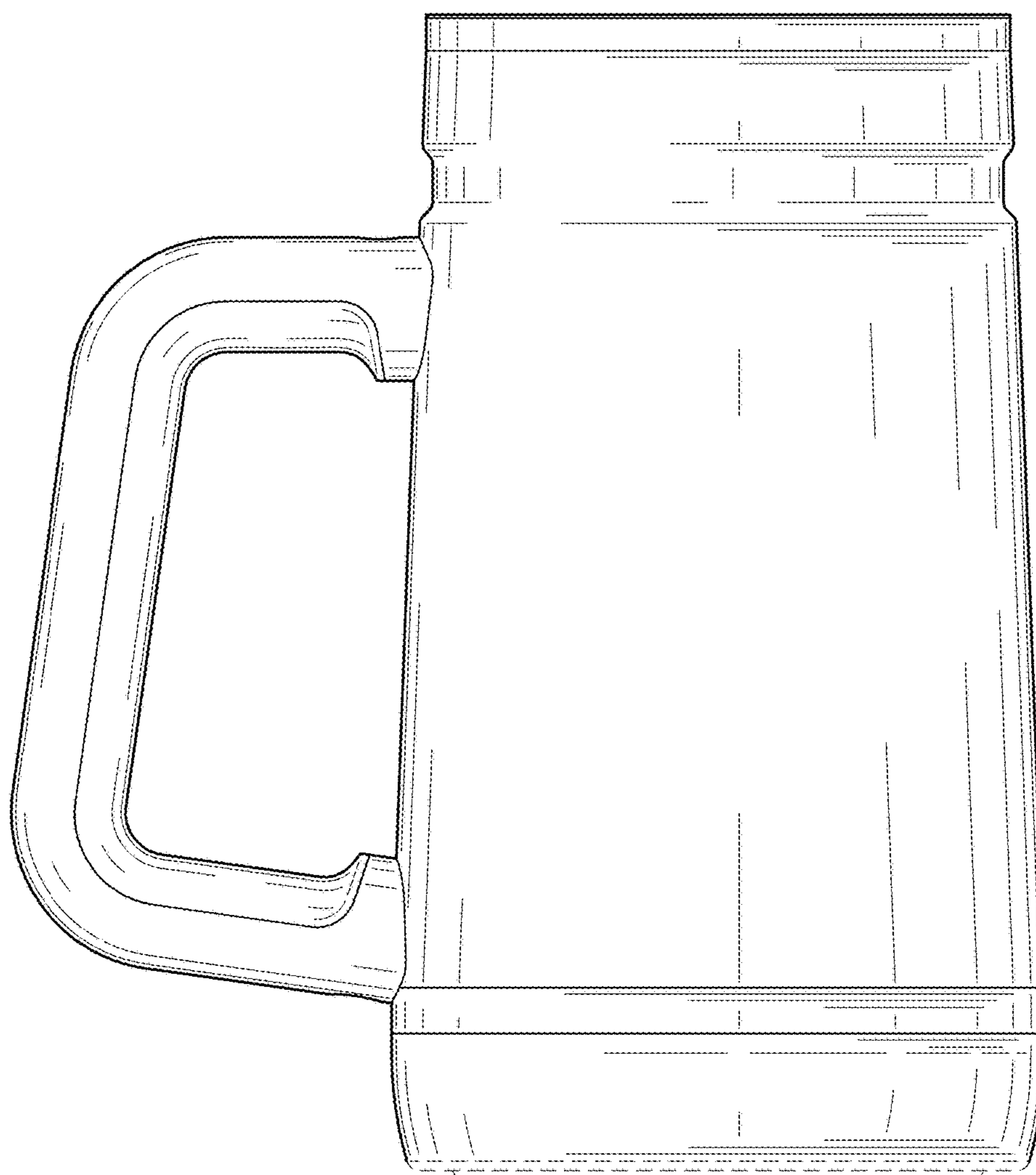


FIG. 13

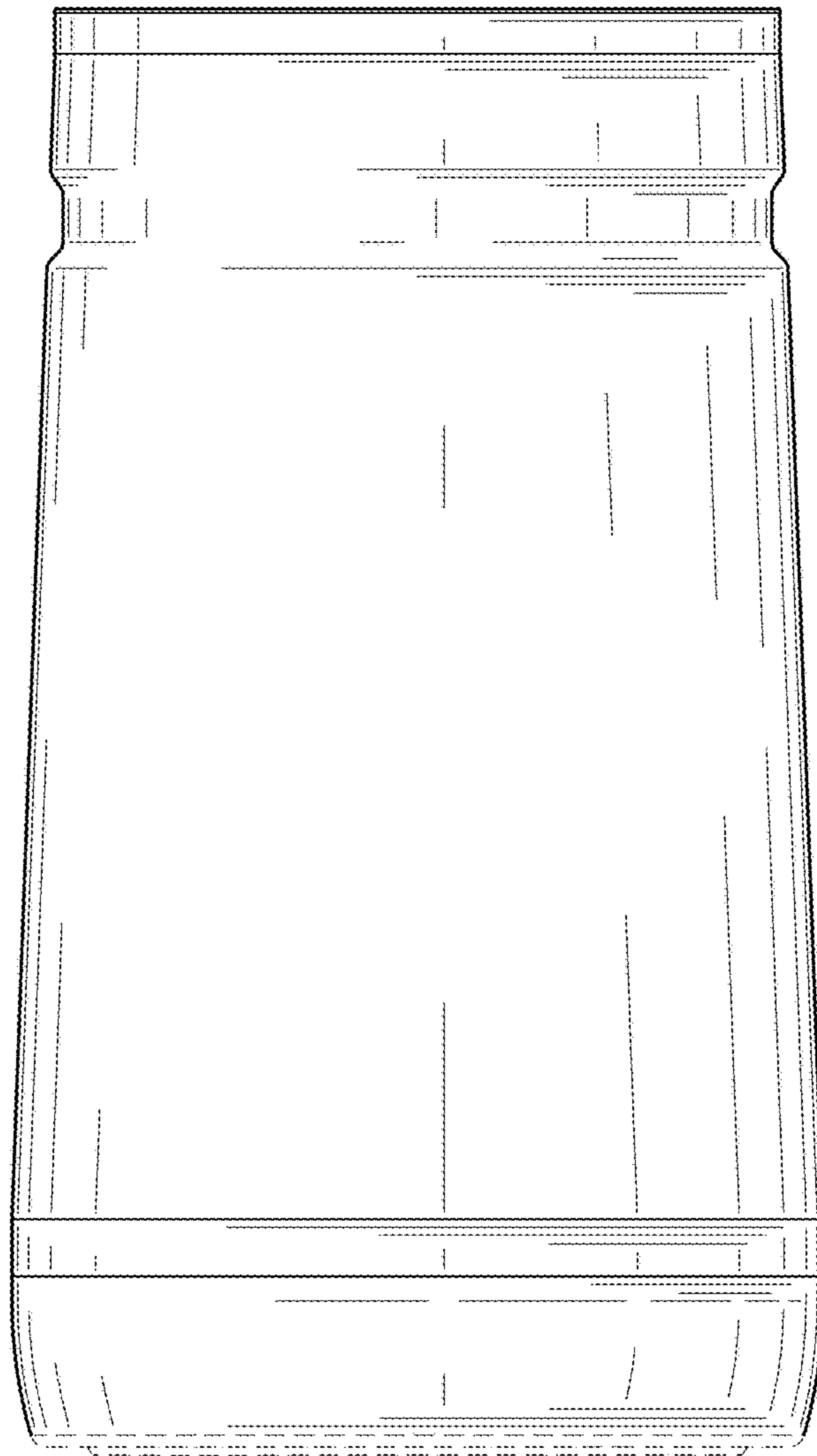


FIG. 14

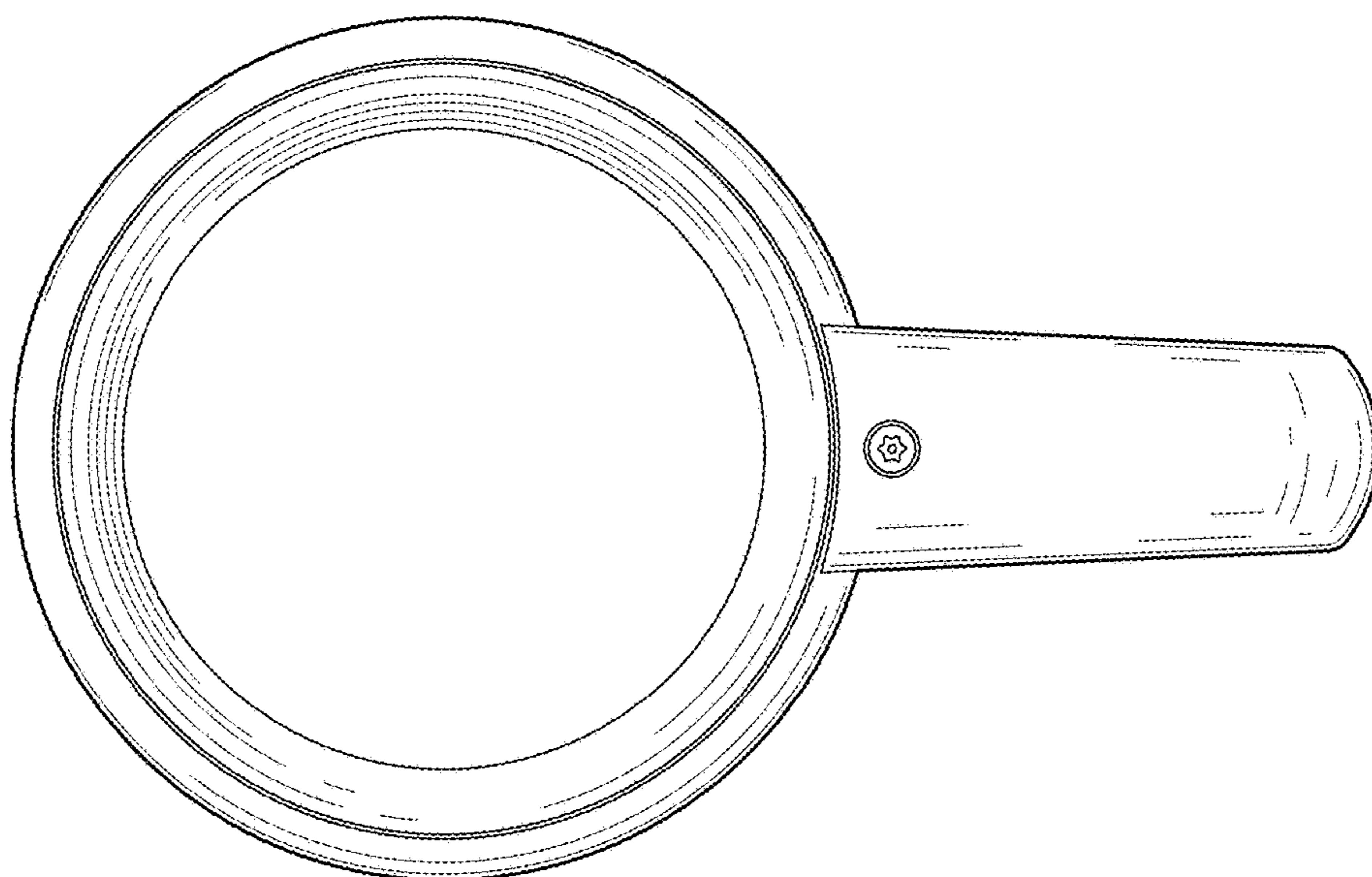


FIG. 15

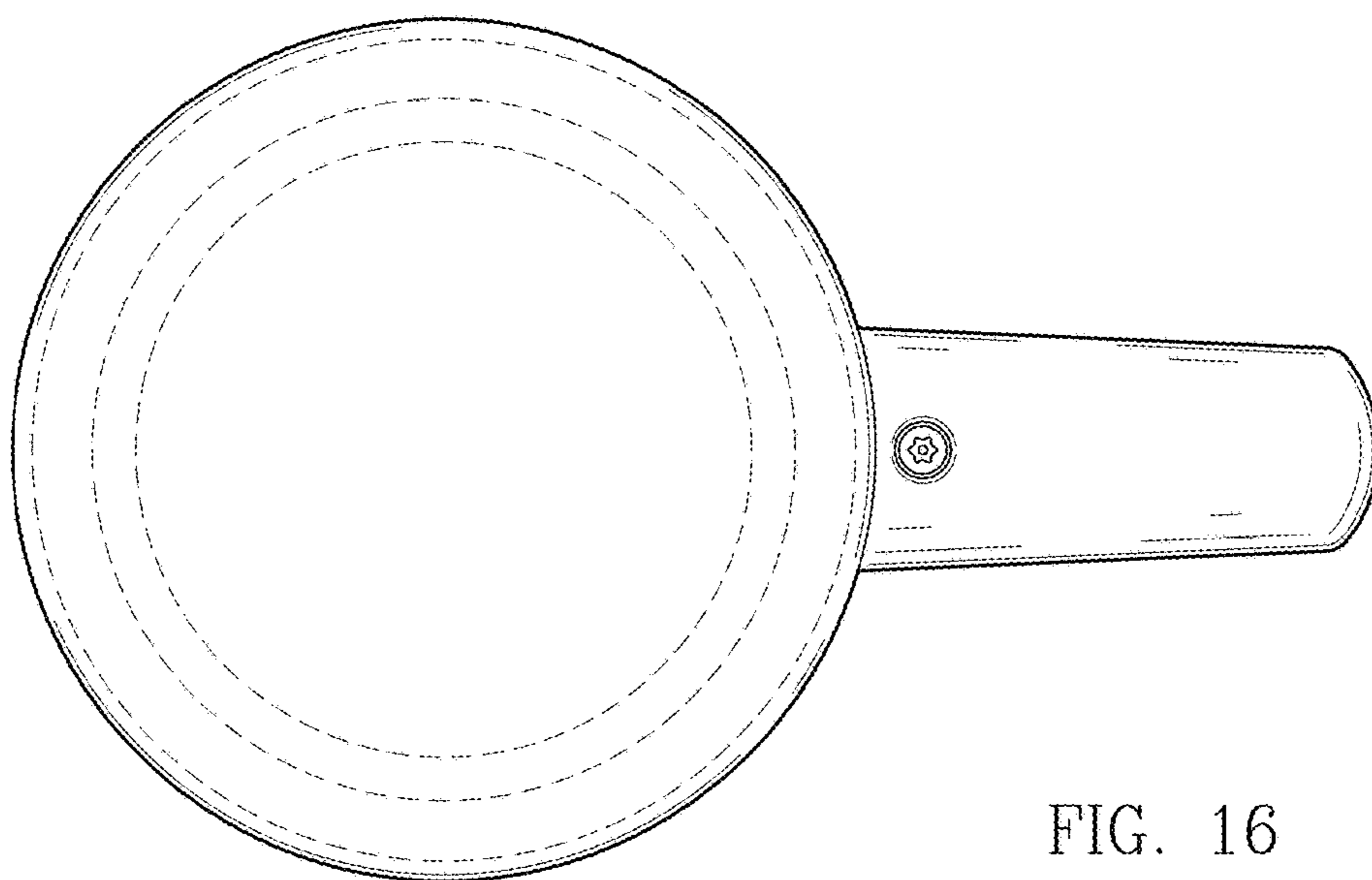


FIG. 16