



US00D837597S

(12) **United States Design Patent** (10) **Patent No.:** **US D837,597 S**  
**Silsby** (45) **Date of Patent:** **\*\* Jan. 8, 2019**

(54) **BEVERAGE CONTAINER**  
(71) Applicant: **Pacific Market International, LLC**,  
Seattle, WA (US)  
(72) Inventor: **Jacob D. Silsby**, Seattle, WA (US)  
(73) Assignee: **Pacific Market International, LLC**,  
Seattle, WA (US)  
(\*\*) Term: **15 Years**  
(21) Appl. No.: **29/611,368**  
(22) Filed: **Jul. 20, 2017**  
(51) **LOC (11) Cl.** ..... **07-01**  
(52) **U.S. Cl.**  
USPC ..... **D7/511; D7/532; D7/536**  
(58) **Field of Classification Search**  
USPC ..... D7/507, 509, 510, 511, 523, 533, 534,  
D7/535, 536, 608, 392.1, 396.2, 515, 516;  
D8/107, 300; D24/197; D9/517, 532;  
220/710.5, 592.16, 592.17  
CPC .... D47G 19/22; B65D 1/265; A47G 19/2266;  
A47J 41/02; A45F 3/16  
See application file for complete search history.

D806,467 S \* 1/2018 Yao ..... D7/392.1  
D808,221 S \* 1/2018 George ..... D7/536  
D808,735 S \* 1/2018 Beckman ..... D7/608  
D809,347 S \* 2/2018 Silsby ..... D7/608  
D817,093 S \* 5/2018 Silsby ..... D7/510  
D817,094 S \* 5/2018 Silsby ..... D7/510  
D820,086 S \* 6/2018 Lynd ..... D9/454

**OTHER PUBLICATIONS**

Stanley Classic Growler, 1 page, Stanley product publicly disclosed prior to Jul. 20, 2017.  
MIIR Growler, 1 page, MiiR product publicly disclosed prior to Jul. 20, 2017.

\* cited by examiner

*Primary Examiner* — Marianne N Pandozzi  
*Assistant Examiner* — Jae Liang  
(74) *Attorney, Agent, or Firm* — George C. Rondeau, Jr.;  
Davis Wright Tremaine LLP

(57) **CLAIM**

The ornamental design for a beverage container, as shown and described.

(56) **References Cited**

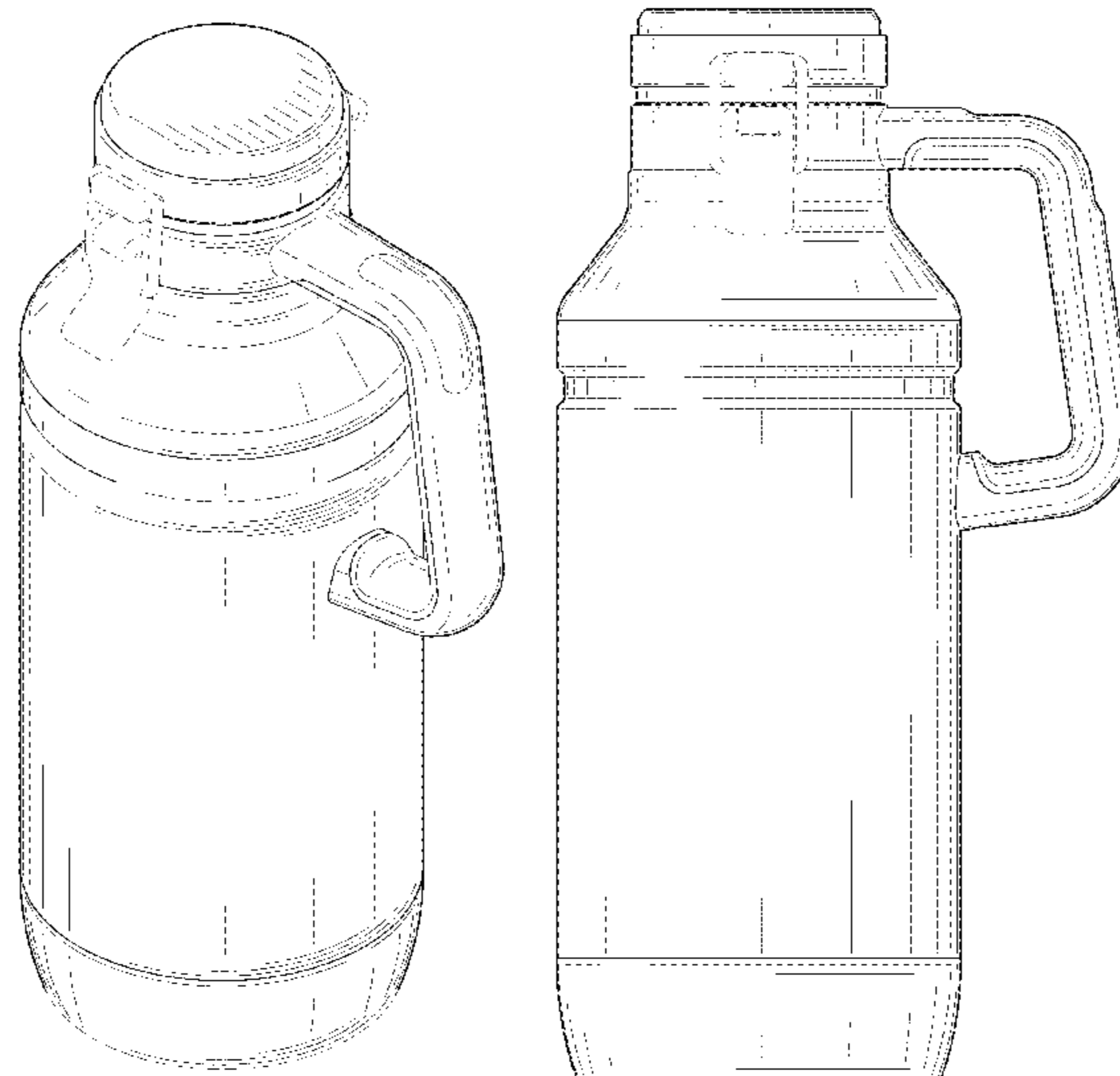
**U.S. PATENT DOCUMENTS**

D398,478 S \* 9/1998 Spencer ..... D7/510  
D531,036 S \* 10/2006 Bried ..... D9/504  
D536,614 S \* 2/2007 Peterson ..... D9/454  
D599,621 S \* 9/2009 Poindexter ..... D7/532  
D616,248 S \* 5/2010 George ..... D7/510  
D659,474 S \* 5/2012 Wahl ..... D7/510  
D660,081 S \* 5/2012 Gilbert ..... D7/396.2  
D660,082 S \* 5/2012 Wahl ..... D7/510  
D742,699 S \* 11/2015 Boroski ..... D7/608  
D756,222 S \* 5/2016 Lopez ..... D23/260  
D762,117 S \* 7/2016 Joseph ..... D7/387  
D769,046 S \* 10/2016 Beckman ..... B65D 25/28  
D786,619 S \* 5/2017 Joseph ..... D7/510

**DESCRIPTION**

FIG. 1 is a top perspective view of a beverage container showing my new design;  
FIG. 2 is a bottom perspective view thereof;  
FIG. 3 is a front elevational view thereof;  
FIG. 4 is a right side elevational view thereof;  
FIG. 5 is a rear elevational view thereof;  
FIG. 6 is a left side elevational view thereof;  
FIG. 7 is a top plan view thereof; and,  
FIG. 8 is a bottom plan view thereof.  
The broken lines in the drawings depict portions of the beverage container that form no part of the claimed design.

**1 Claim, 7 Drawing Sheets**



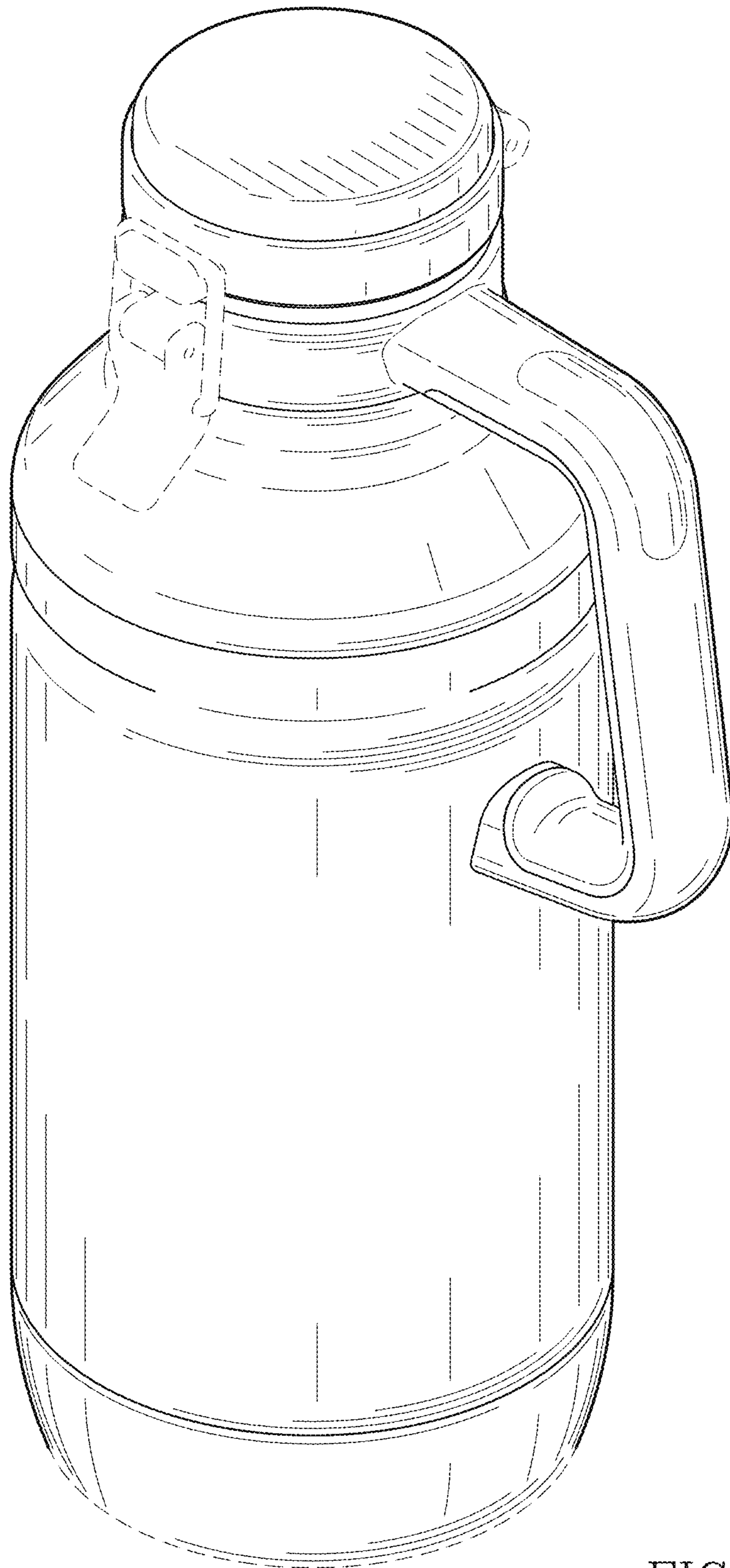


FIG. 1

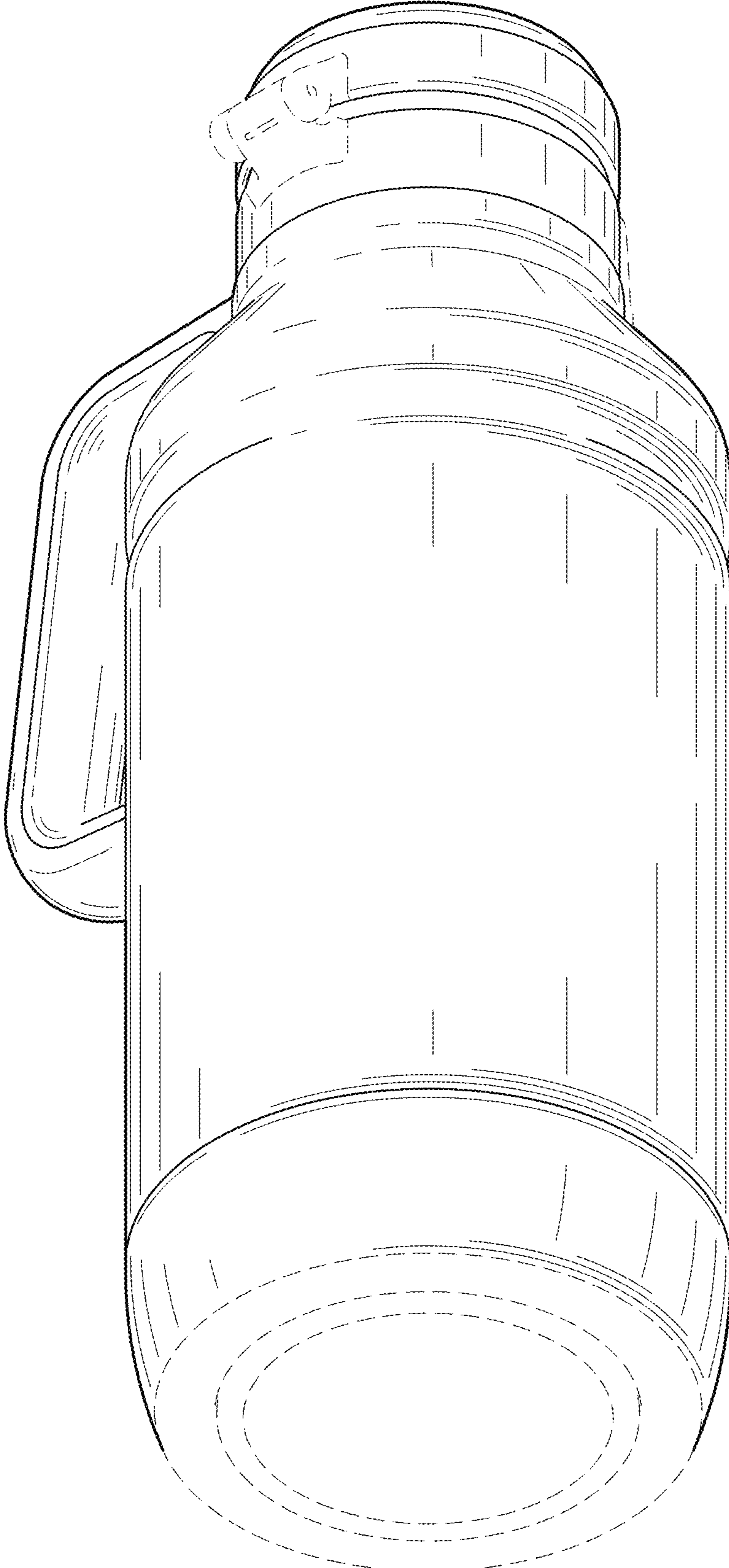


FIG. 2

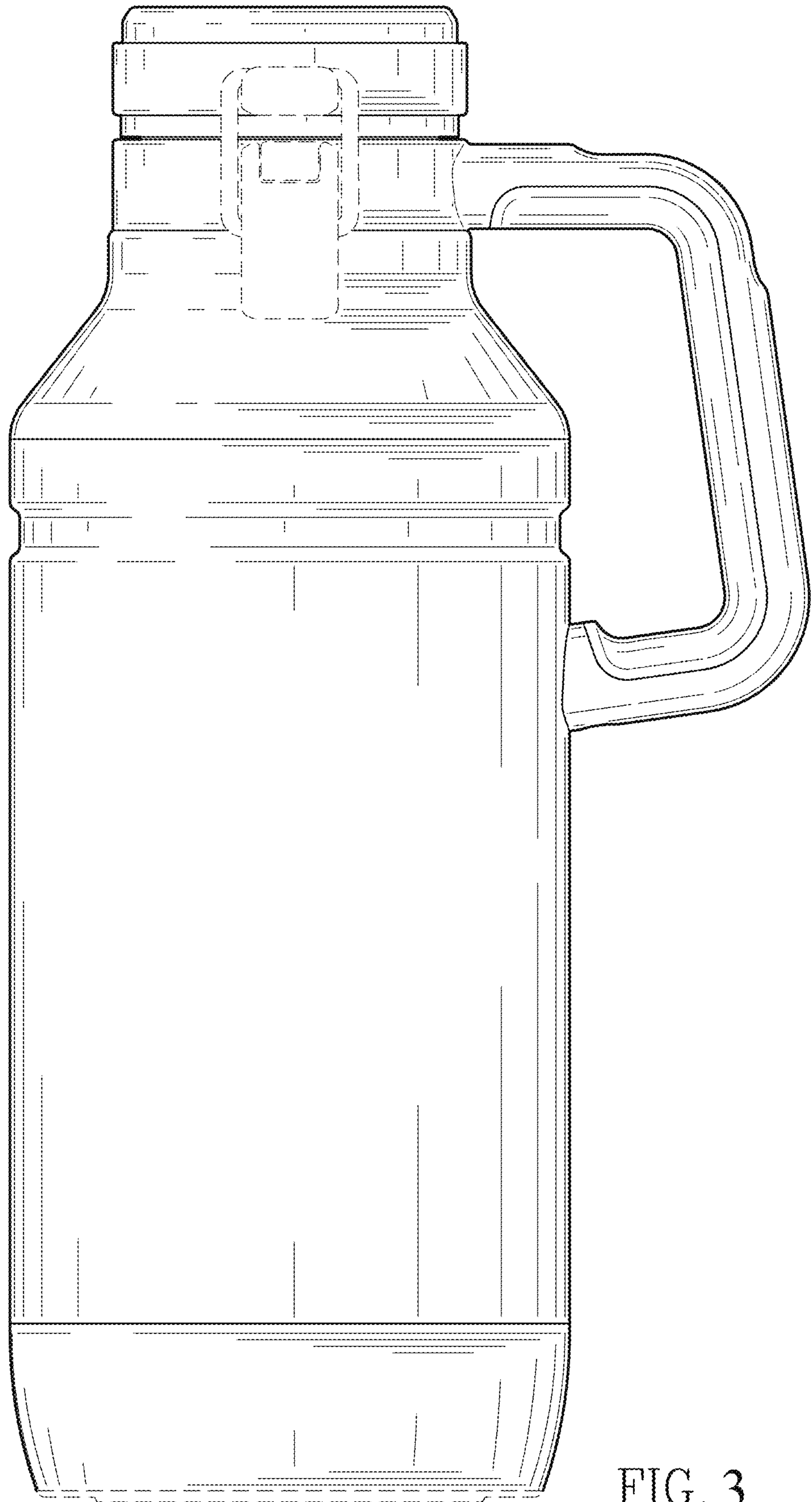


FIG. 3

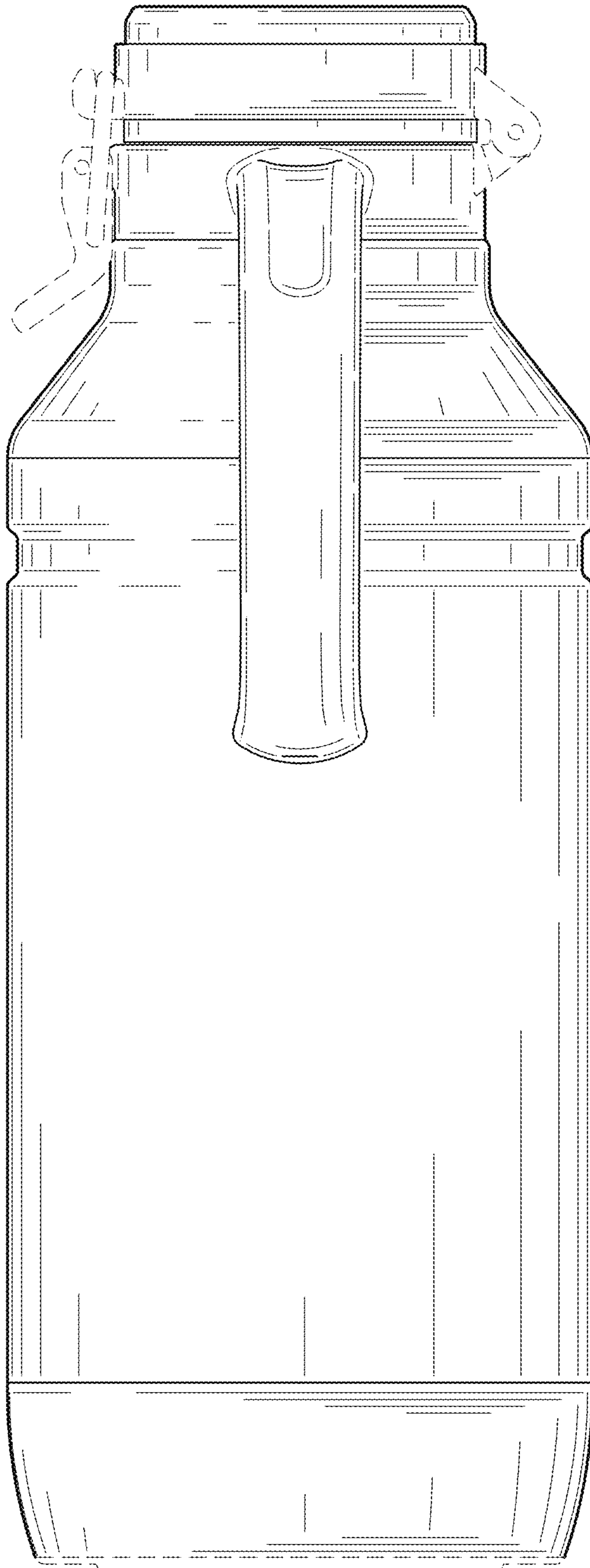


FIG. 4

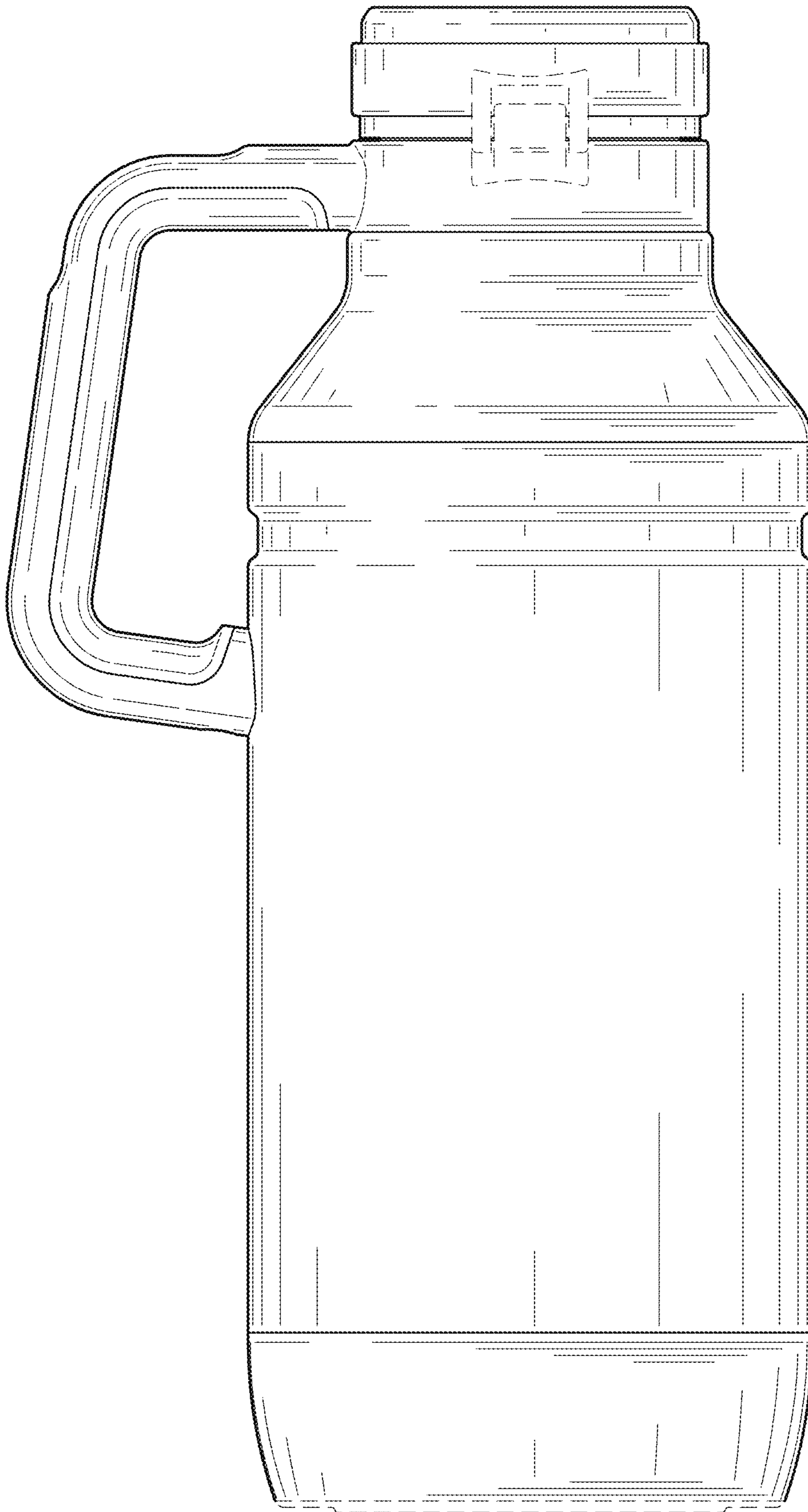


FIG. 5

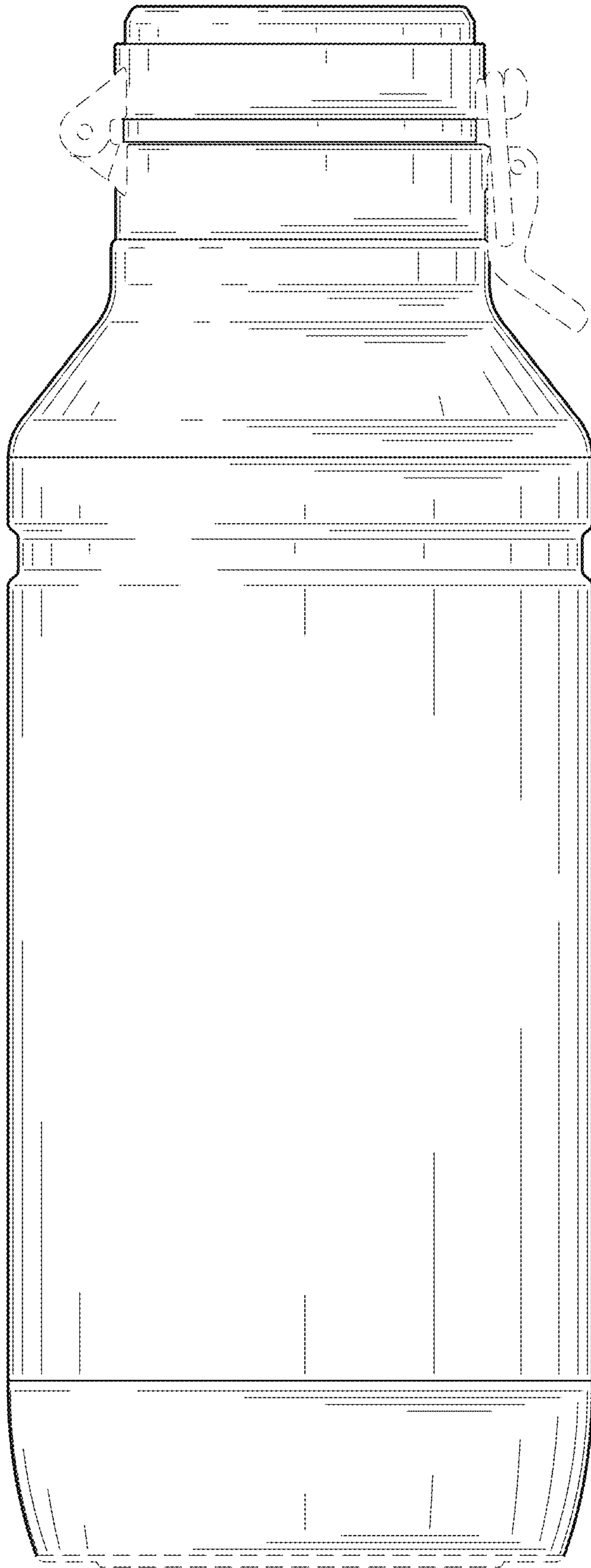


FIG. 6

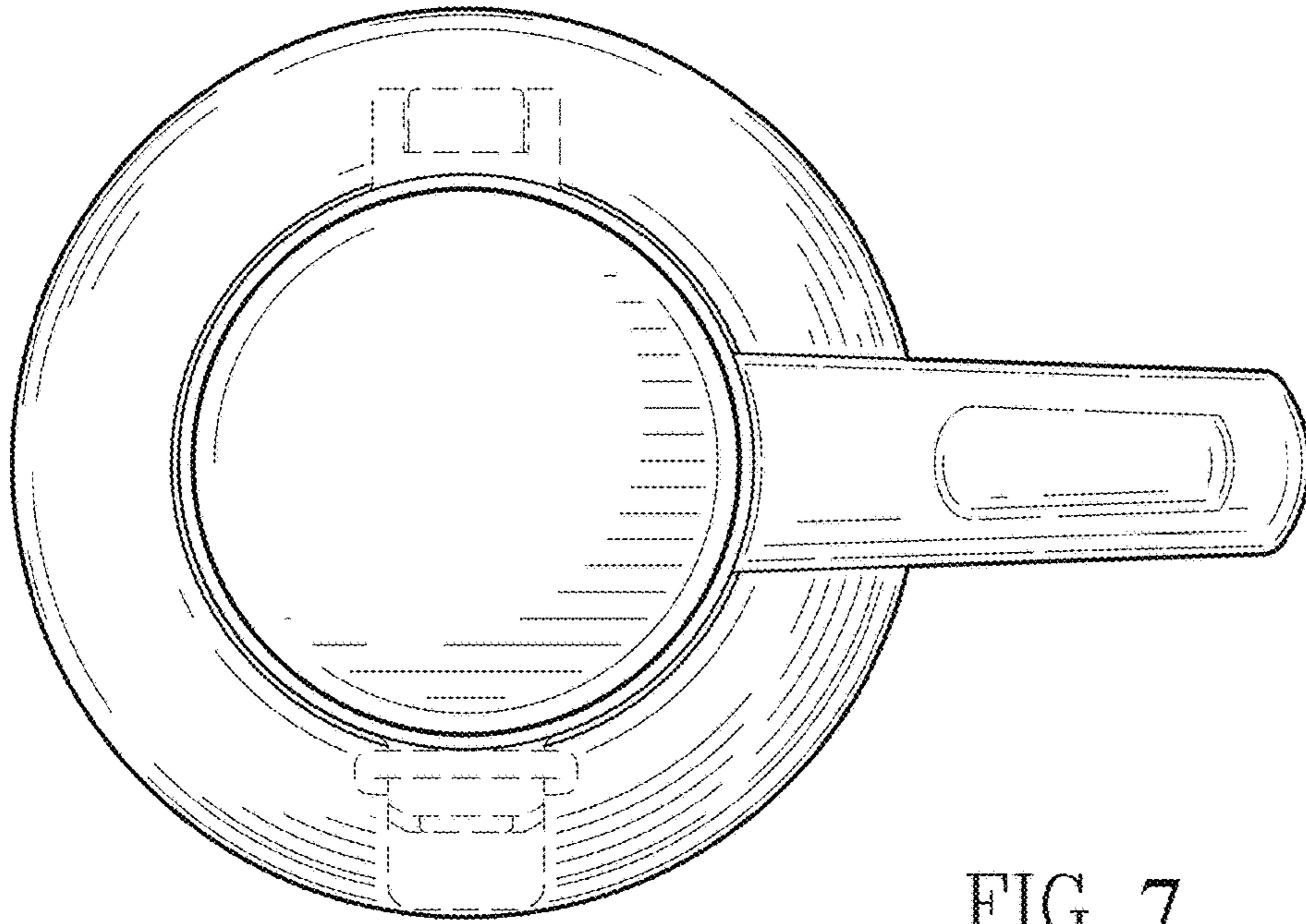


FIG. 7

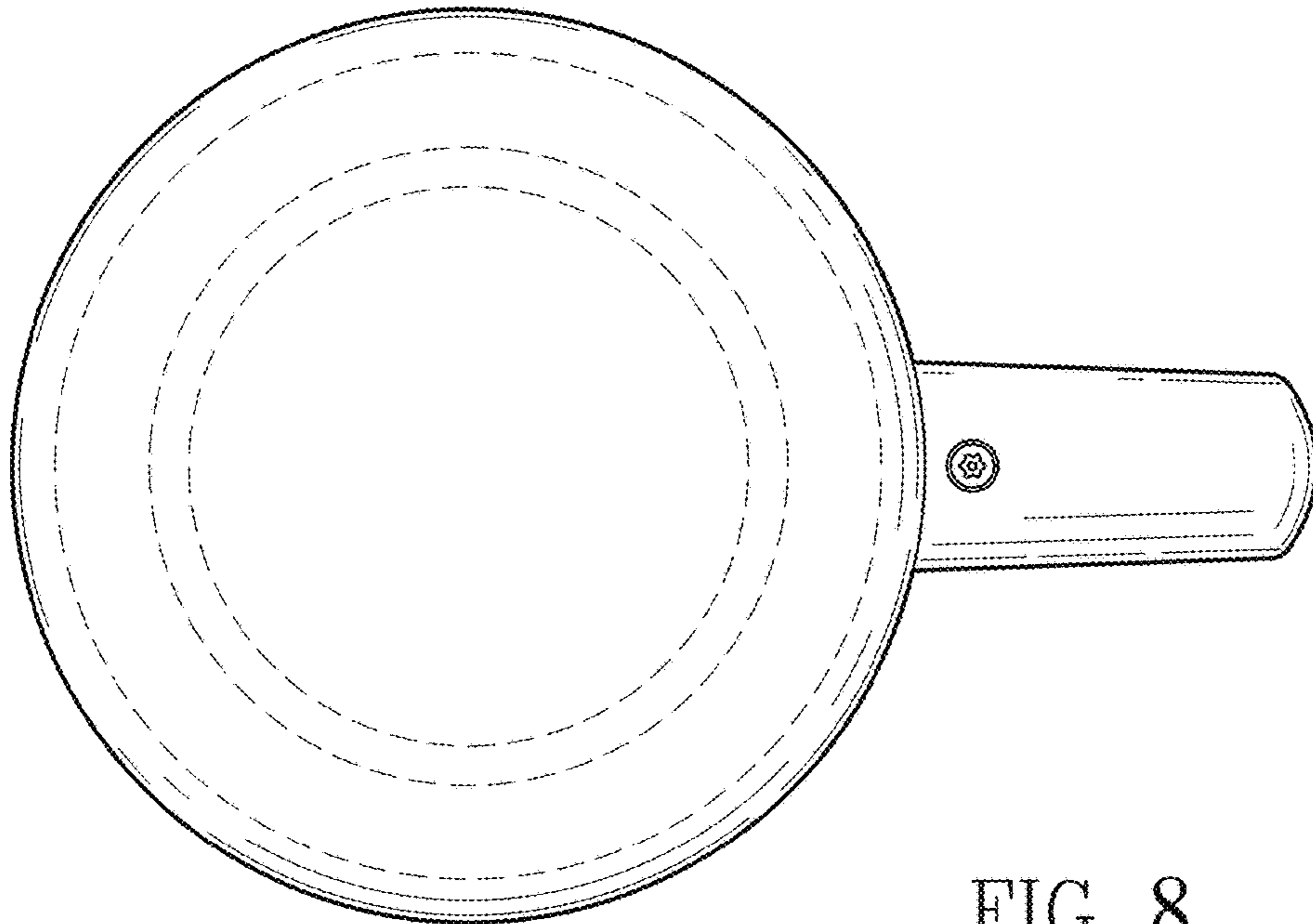


FIG. 8