



US00D837596S

(12) **United States Design Patent** (10) **Patent No.:** **US D837,596 S**
Altman (45) **Date of Patent:** **** Jan. 8, 2019**

(54) **COMBINED PLATE AND CUP**
(71) Applicant: **Michael A. Altman**, Marietta, GA (US)
(72) Inventor: **Michael A. Altman**, Marietta, GA (US)
(**) Term: **15 Years**
(21) Appl. No.: **29/625,061**
(22) Filed: **Nov. 7, 2017**
(51) **LOC (11) Cl.** **07-01**
(52) **U.S. Cl.**
USPC **D7/507; D7/514; D7/520**
(58) **Field of Classification Search**
USPC D7/505, 507, 509, 510, 511, 514, 515,
D7/523, 533, 534, 535, 536, 392.1, 396.3,
D7/400, 564, 577, 571, 569, 556, 656,
D7/654, 642, 607, 603, 602, 624.1, 624.2,
D7/680, 397, 398, 213, 403, 396.6, 633,
D7/631, 632; 220/200, 592.16, 592.17,
220/495.03; D9/434, 435; D24/197;
D19/194; D28/4, 39, 10, 38, 76, 82, 85,
D28/88; D11/143, 144, 391
CPC A47G 19/2205; A47G 19/22; A47G
19/2211; A47G 19/2216; B65D 1/265;
B65D 3/06; A45F 3/20
See application file for complete search history.

6,149,027 A * 11/2000 Rathjen A47G 19/06
220/23.83
D483,227 S 12/2003 Oas
D499,306 S 12/2004 Laib
D540,622 S * 4/2007 Cox D7/505
D606,365 S * 12/2009 Roth D7/523
D610,877 S 3/2010 Cooper
D623,019 S * 9/2010 Wildman D7/554.2
D662,276 S 6/2012 Villota et al.
D687,269 S 8/2013 Guy et al.
D710,152 S * 8/2014 Marini D7/515
D710,154 S * 8/2014 Marini D7/515
D760,547 S * 7/2016 Ash D7/396.2
9,439,525 B1 9/2016 Altman
D785,526 S 5/2017 Nathan et al.
D823,640 S * 7/2018 Leaphart D7/505

* cited by examiner

Primary Examiner — Marianne N Pandozzi
Assistant Examiner — Jae Liang
(74) *Attorney, Agent, or Firm* — Louis Ventre, Jr.

(57) **CLAIM**

The ornamental design for a combined plate and cup, as shown and described.

DESCRIPTION

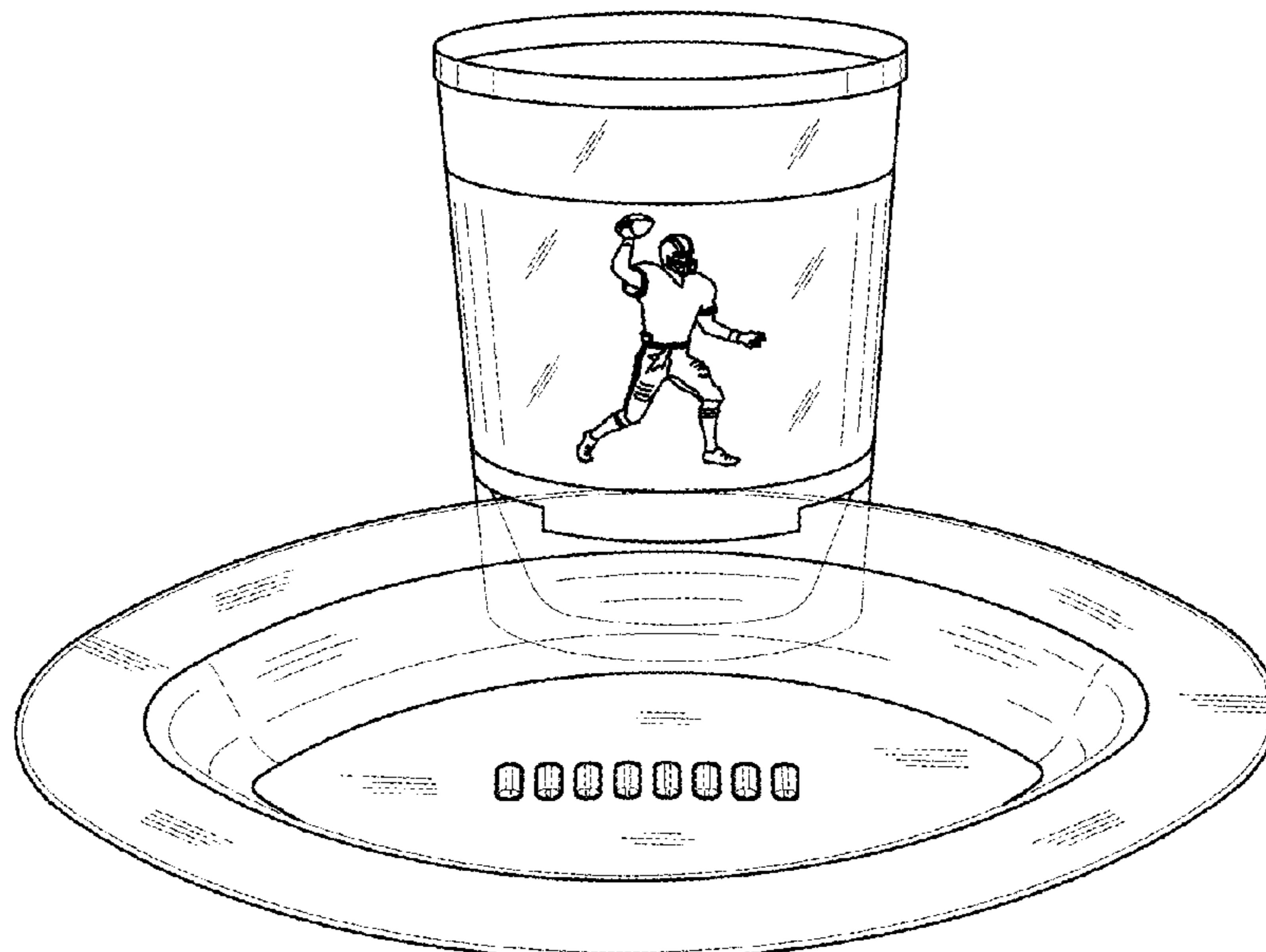
FIG. 1 is a top perspective view of a combined plate and cup showing my new design;
FIG. 2 is a top view thereof;
FIG. 3 is a bottom view of thereof;
FIG. 4 is a front elevational view thereof;
FIG. 5 is a rear elevational view thereof;
FIG. 6 is a right-side elevational view thereof; and,
FIG. 7 is a left-side elevational view thereof.

1 Claim, 4 Drawing Sheets

(56) **References Cited**

U.S. PATENT DOCUMENTS

D298,296 S 11/1988 Washburn
D331,860 S * 12/1992 Stanfield D7/505
D351,085 S * 10/1994 Schmidt D7/505
D352,639 S * 11/1994 Rigsby D7/514
5,419,455 A * 5/1995 Russeau A47G 19/06
206/562
D370,154 S * 5/1996 Gruneisen, III D7/301



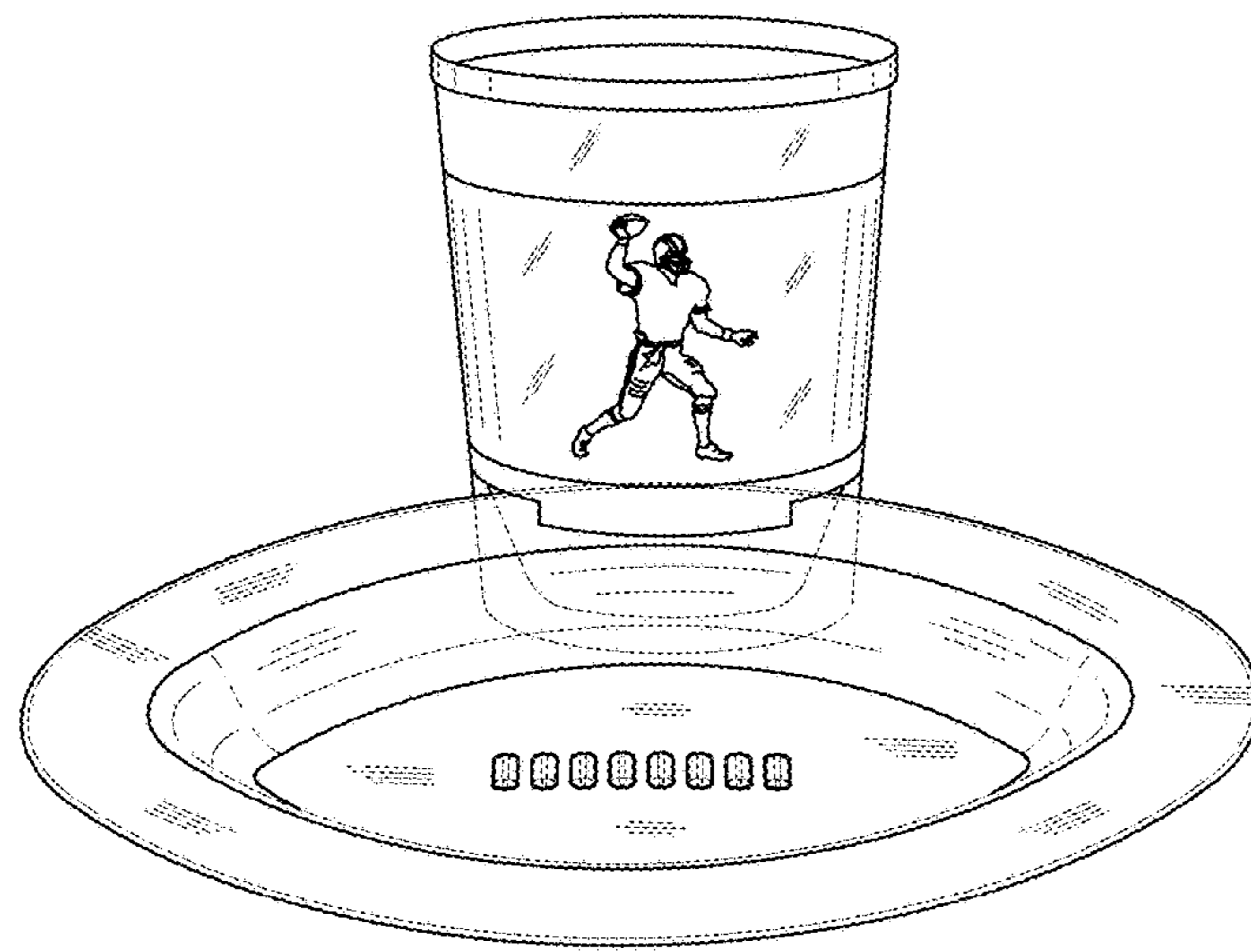


FIG. 1

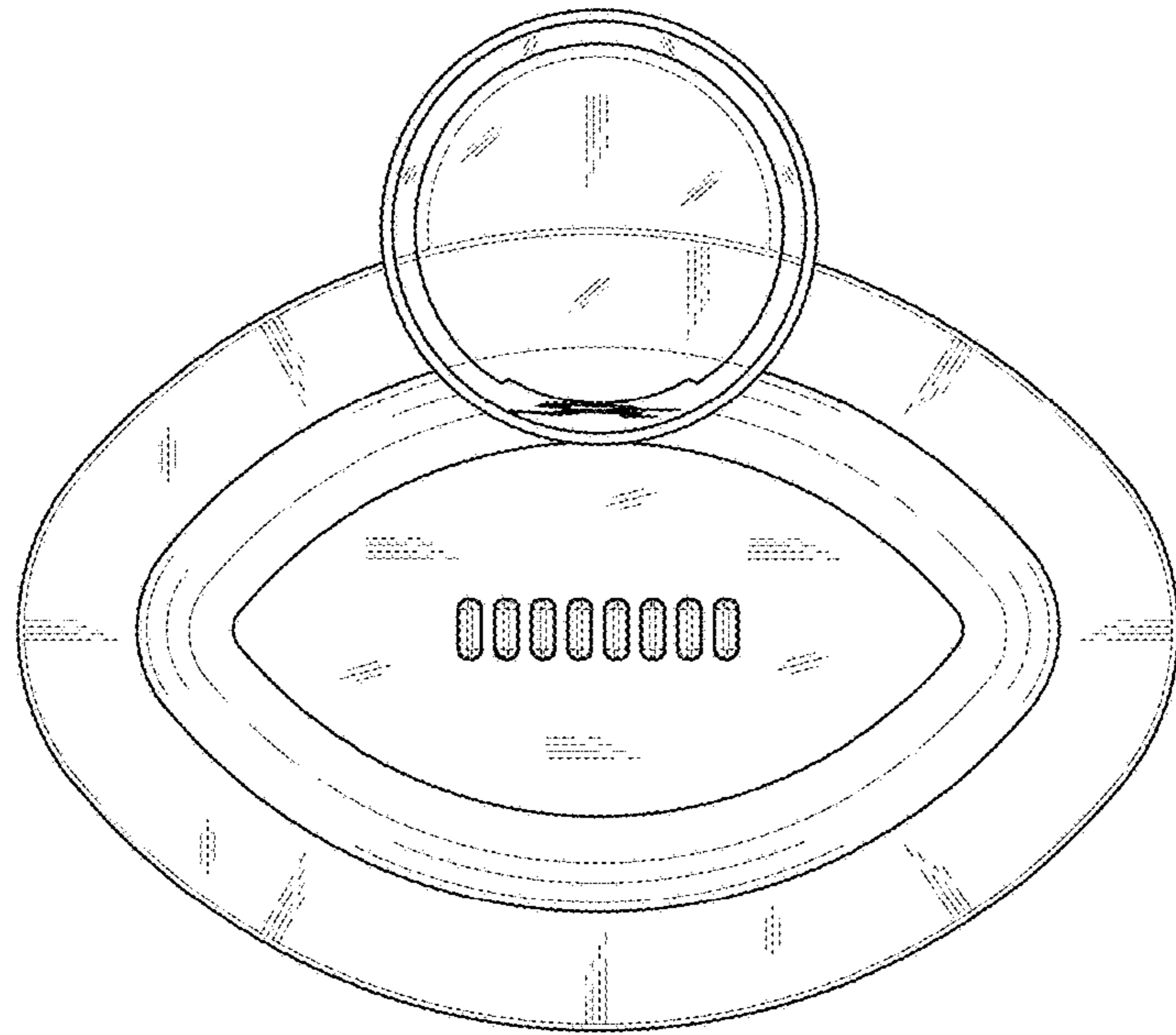


FIG. 2

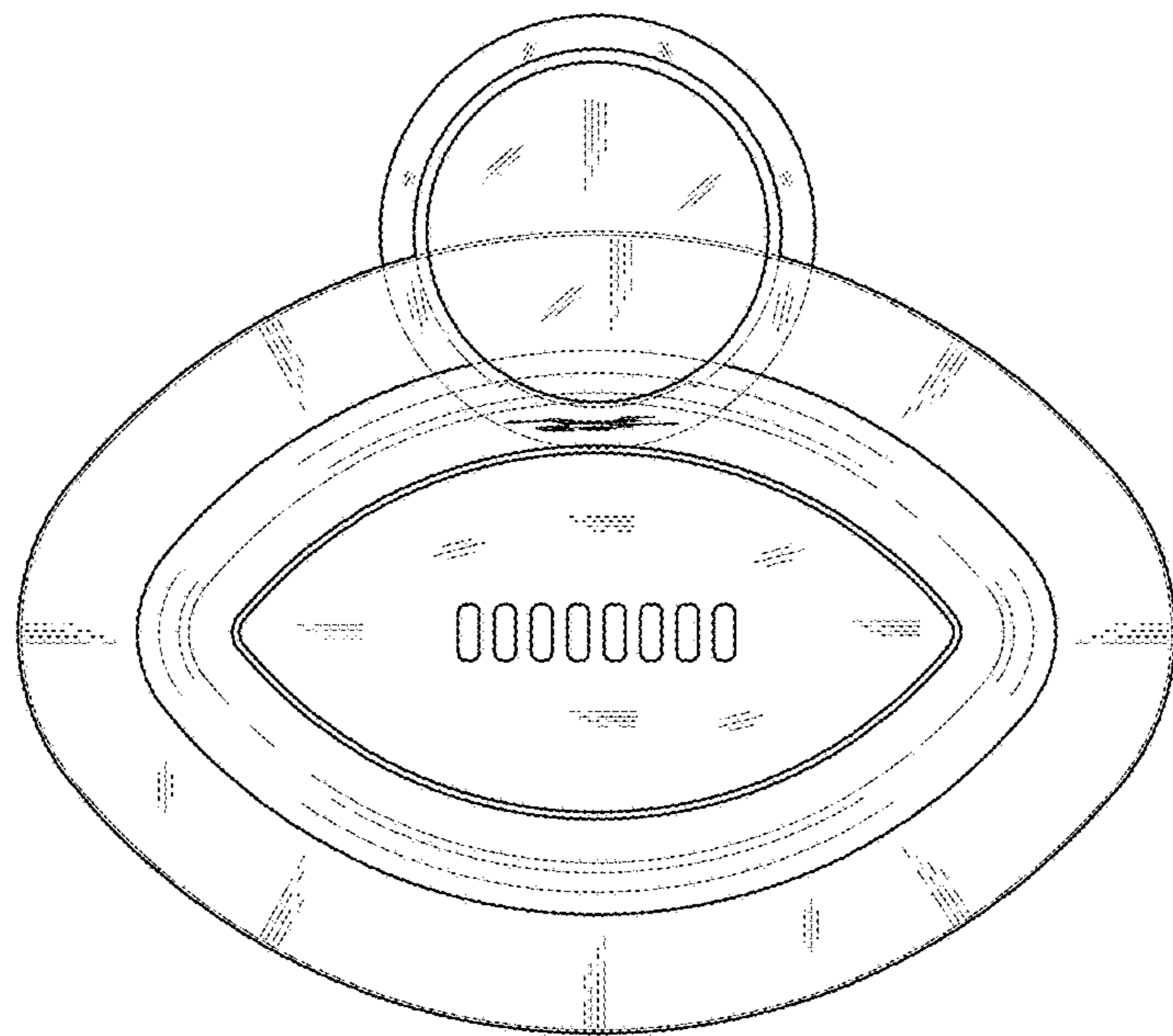


FIG. 3

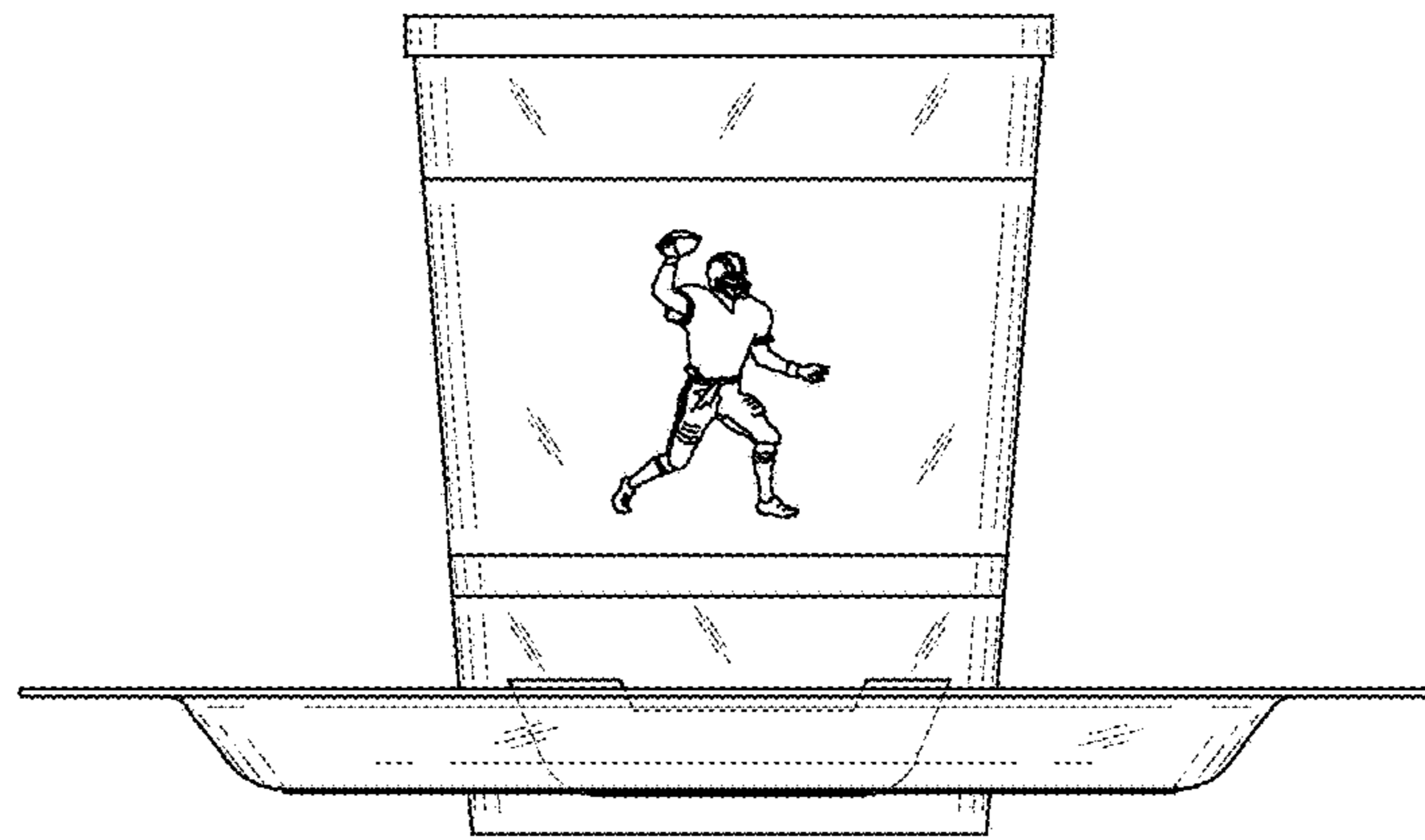


FIG. 4

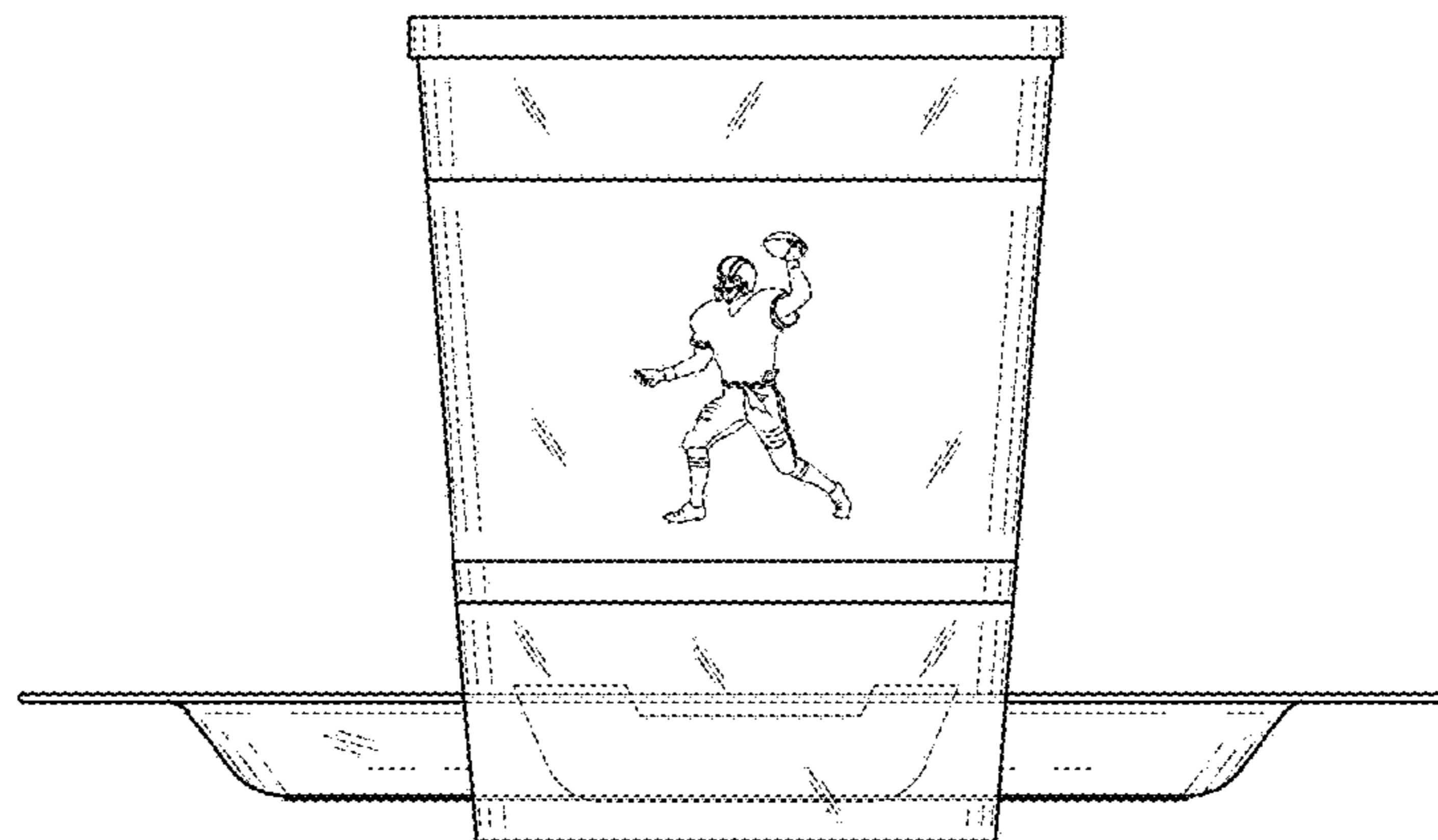


FIG. 5

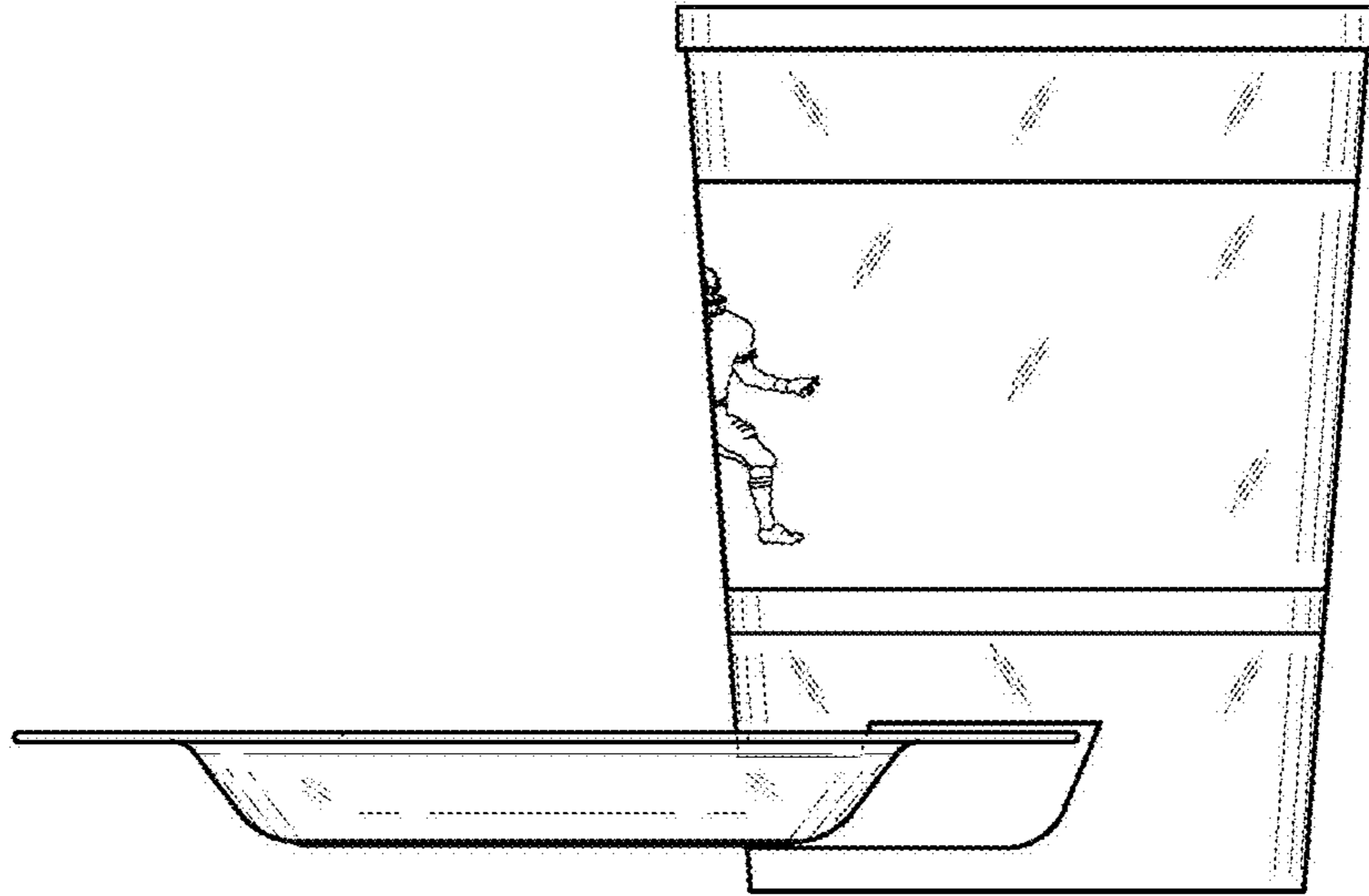


FIG. 6

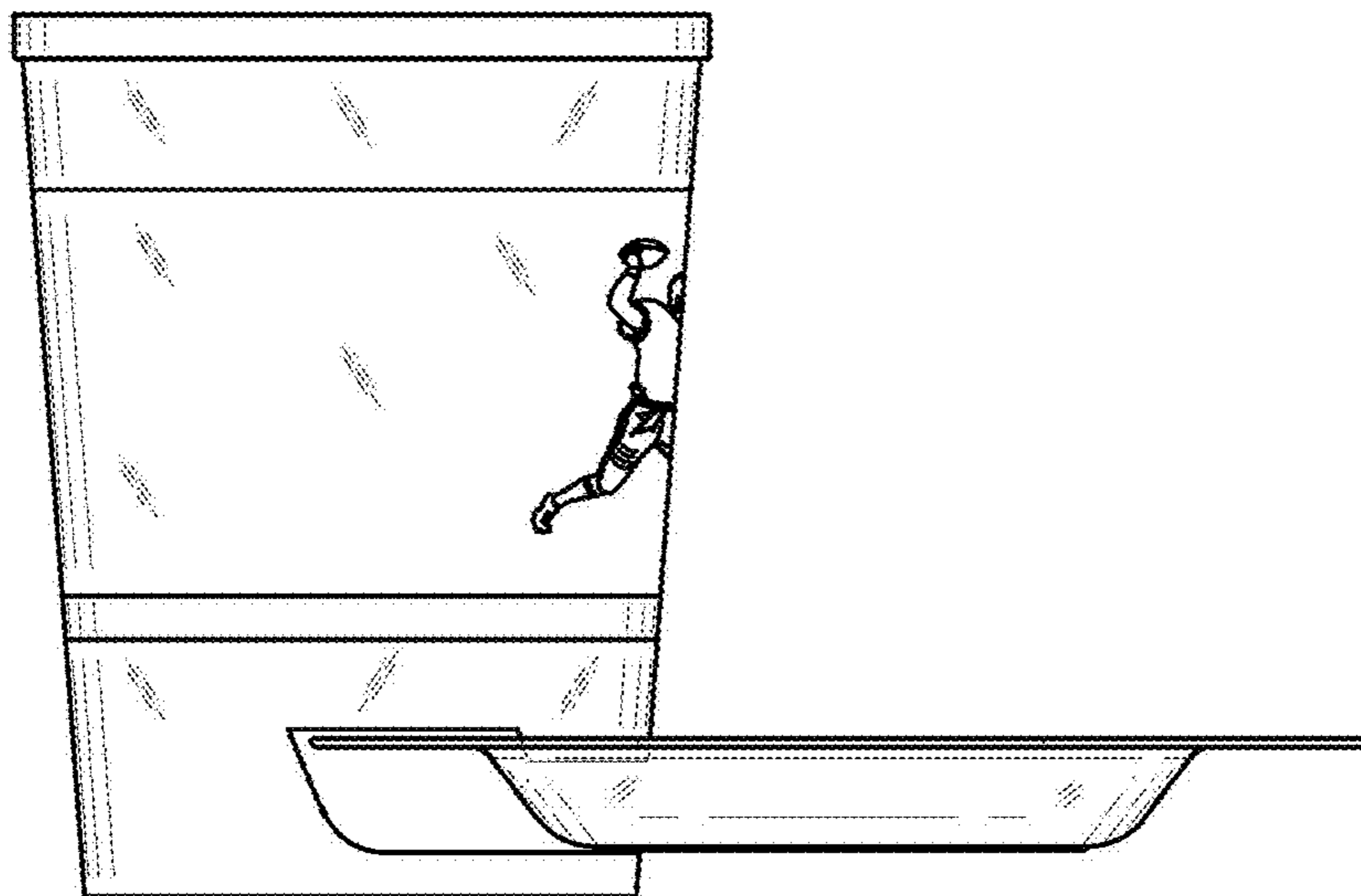


FIG. 7