



US00D837595S

(12) **United States Design Patent**
Ward

(10) **Patent No.:** **US D837,595 S**

(45) **Date of Patent:** **** Jan. 8, 2019**

- (54) **DRINKING CUP**
- (71) Applicant: **Molly M. Ward**, Sycamore, OH (US)
- (72) Inventor: **Molly M. Ward**, Sycamore, OH (US)
- (**) Term: **15 Years**
- (21) Appl. No.: **29/619,283**
- (22) Filed: **Sep. 28, 2017**
- (51) **LOC (11) Cl.** **07-01**
- (52) **U.S. Cl.**
USPC **D7/507; D7/510; D7/523; D7/532**
- (58) **Field of Classification Search**
USPC **D7/507, 509, 510, 511, 523, 529, 530, 531, 532, 392.1, 396.2, 300.1, 667, 673, 700, 701, 702, 703, 704, 705, 706, 707, 708, 709, 710, 711, 712, 713, 714, 715, 716, 717, 718, 719, 720, 721, 722, 723, 724, 725, 726, 727, 728, 729, 730, 731, 732, 733, 734, 735, 736, 737, 738, 739, 740, 741, 742, 743, 744, 745, 746, 747, 748, 749, 750, 751, 752, 753, 754, 755, 756, 757, 758, 759, 760, 761, 762, 763, 764, 765, 766, 767, 768, 769, 770, 771, 772, 773, 774, 775, 776, 777, 778, 779, 780, 781, 782, 783, 784, 785, 786, 787, 788, 789, 790, 791, 792, 793, 794, 795, 796, 797, 798, 799, 800, 801, 802, 803, 804, 805, 806, 807, 808, 809, 810, 811, 812, 813, 814, 815, 816, 817, 818, 819, 820, 821, 822, 823, 824, 825, 826, 827, 828, 829, 830, 831, 832, 833, 834, 835, 836, 837, 838, 839, 840, 841, 842, 843, 844, 845, 846, 847, 848, 849, 850, 851, 852, 853, 854, 855, 856, 857, 858, 859, 860, 861, 862, 863, 864, 865, 866, 867, 868, 869, 870, 871, 872, 873, 874, 875, 876, 877, 878, 879, 880, 881, 882, 883, 884, 885, 886, 887, 888, 889, 890, 891, 892, 893, 894, 895, 896, 897, 898, 899, 900, 901, 902, 903, 904, 905, 906, 907, 908, 909, 910, 911, 912, 913, 914, 915, 916, 917, 918, 919, 920, 921, 922, 923, 924, 925, 926, 927, 928, 929, 930, 931, 932, 933, 934, 935, 936, 937, 938, 939, 940, 941, 942, 943, 944, 945, 946, 947, 948, 949, 950, 951, 952, 953, 954, 955, 956, 957, 958, 959, 960, 961, 962, 963, 964, 965, 966, 967, 968, 969, 970, 971, 972, 973, 974, 975, 976, 977, 978, 979, 980, 981, 982, 983, 984, 985, 986, 987, 988, 989, 990, 991, 992, 993, 994, 995, 996, 997, 998, 999, 1000**
CPC **A47G 19/22; A47G 19/2205; A47G 19/2272; A45F 3/16; B65D 47/066**
See application file for complete search history.

- D433,599 S * 11/2000 Kristiansen D7/509
- 6,502,715 B2 * 1/2003 Miorelli A23G 9/045
- 220/703
- D469,658 S * 2/2003 Norris D7/510
- D474,077 S * 5/2003 Hatsumoto D7/523
- D522,864 S * 6/2006 Westphal D9/500
- D540,124 S * 4/2007 Ross D7/509
- D546,125 S * 7/2007 Bhavnani D7/523
- D565,903 S * 4/2008 Bodum D7/500
- D604,984 S * 12/2009 Kalamaras A47J 43/27
- D7/300.1
- D616,705 S * 6/2010 DuBois D7/510
- D641,216 S * 7/2011 Chen D7/667
- D680,812 S * 4/2013 Justus D7/510
- D716,099 S * 10/2014 Farber D24/197
- D726,367 S * 4/2015 Dukat D27/167
- D727,686 S * 4/2015 Meyerhoffer D7/509
- D740,667 S * 10/2015 Marasligiller D9/523
- D741,110 S * 10/2015 Haessig D7/523
- D744,335 S * 12/2015 Rigollet D9/436

(Continued)

Primary Examiner — Marianne N Pandozzi

Assistant Examiner — Jae Liang

(74) *Attorney, Agent, or Firm* — Jacob M. Ward; Ward Law Office LLC

(56) **References Cited**

U.S. PATENT DOCUMENTS

- 604,514 A * 5/1898 Belden B65D 1/0223
- 215/382
- D114,568 S * 5/1939 Viatour D7/523
- 3,185,341 A * 5/1965 Barbour R B65D 25/48
- 220/260
- 3,341,062 A * 9/1967 Phillips A47G 19/2272
- 220/711
- D241,801 S * 10/1976 Colato D7/531
- D285,999 S * 10/1986 Ludwick D7/523
- D290,323 S * 6/1987 Weernink D7/511
- 4,726,487 A * 2/1988 Mitri B65D 1/265
- 220/718
- D298,902 S * 12/1988 Pomroy D1/116
- D322,218 S * 12/1991 Lynd D7/511
- D350,481 S * 9/1994 DeLury D27/133
- D414,590 S * 10/1999 Cole 426/139

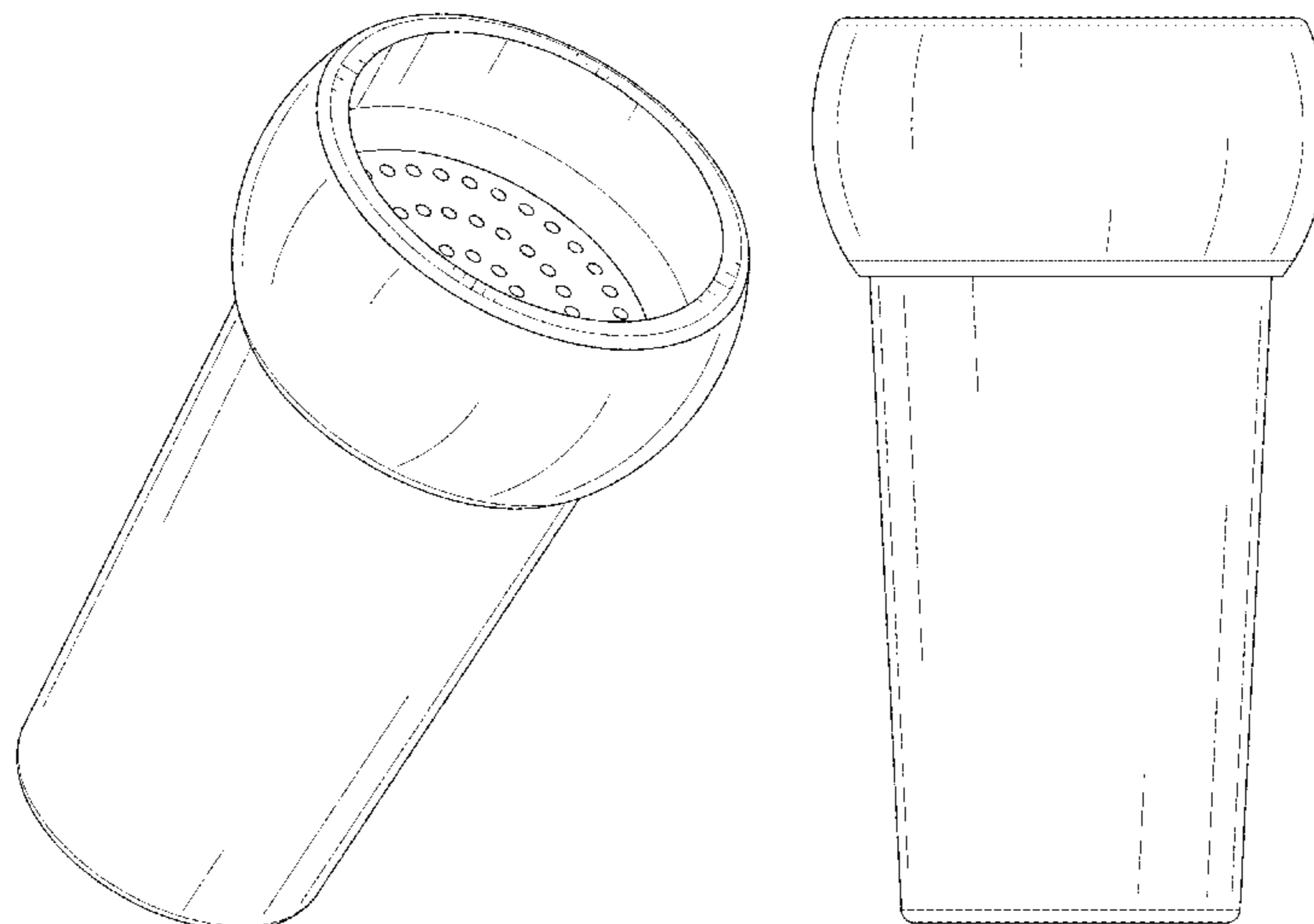
(57) **CLAIM**

The ornamental design for a drinking cup, as shown and described.

DESCRIPTION

FIG. 1 is a top perspective view of a drinking cup showing my new design;
 FIG. 2 is a bottom perspective view thereof;
 FIG. 3 is an exploded top perspective view thereof;
 FIG. 4 is an exploded bottom perspective view thereof;
 FIG. 5 is a front elevational view thereof; all side elevational views being identical;
 FIG. 6 is a top plan view thereof; and,
 FIG. 7 is a bottom plan view thereof.

1 Claim, 6 Drawing Sheets



(56)

References Cited

U.S. PATENT DOCUMENTS

D749,907 S * 2/2016 Meyerhoffer D7/523
D772,025 S * 11/2016 Salzl D7/700
9,597,992 B2 * 3/2017 Ghyvoronsky B60N 3/10
D799,268 S * 10/2017 Gschwandtl D7/509
D800,502 S * 10/2017 Weernink D7/510
D801,810 S * 11/2017 Engel D9/436
D816,414 S * 5/2018 Thompson D7/523
D817,683 S * 5/2018 Melanson D7/300.1
D821,140 S * 6/2018 Mirchandani D7/409
D830,799 S * 10/2018 Najera D8/18
2009/0266748 A1 * 10/2009 Boris A47J 43/284
209/352
2016/0068317 A1 * 3/2016 Petit B29C 45/006
206/438
2017/0174402 A1 * 6/2017 Rogers B65D 55/14

* cited by examiner

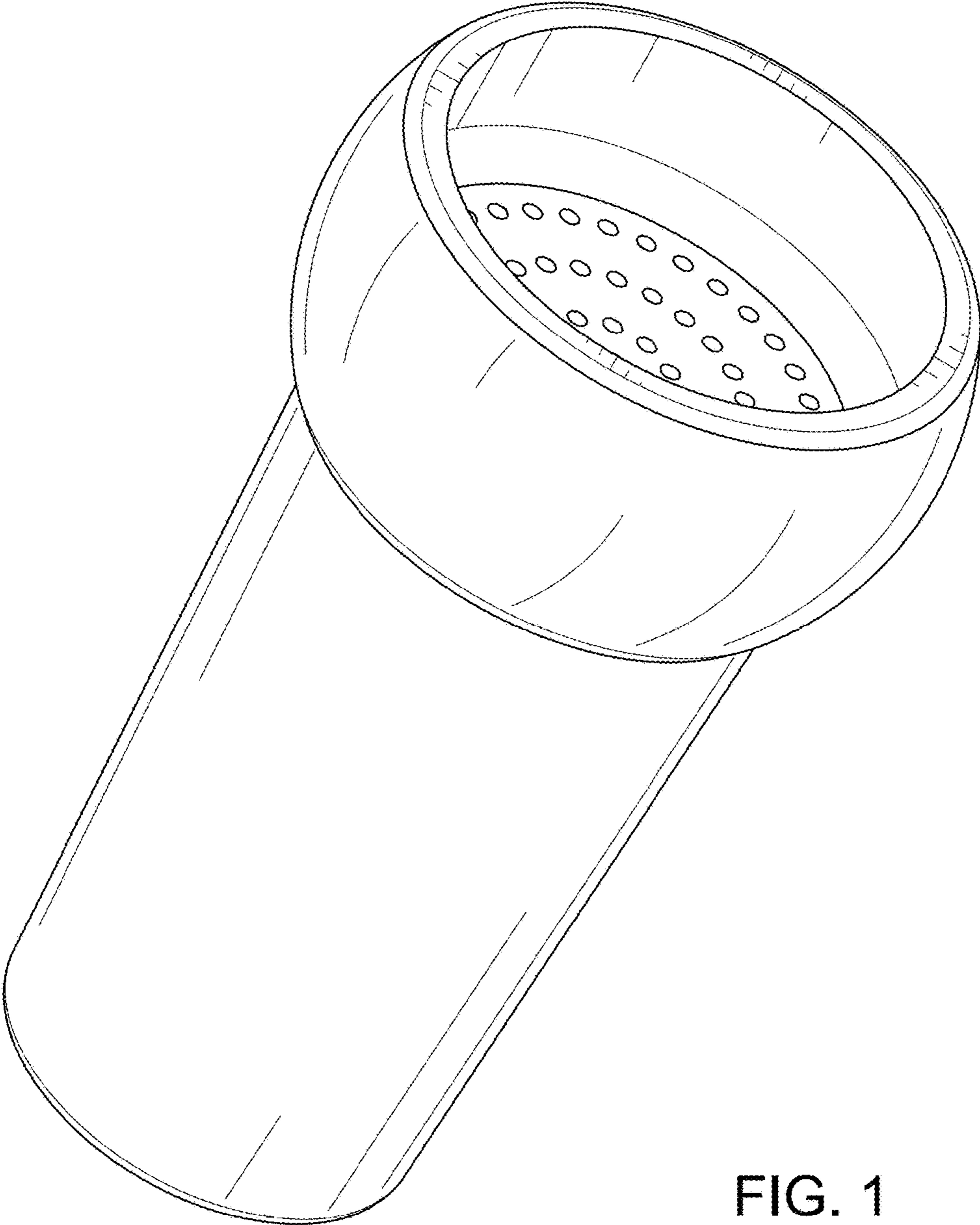


FIG. 1

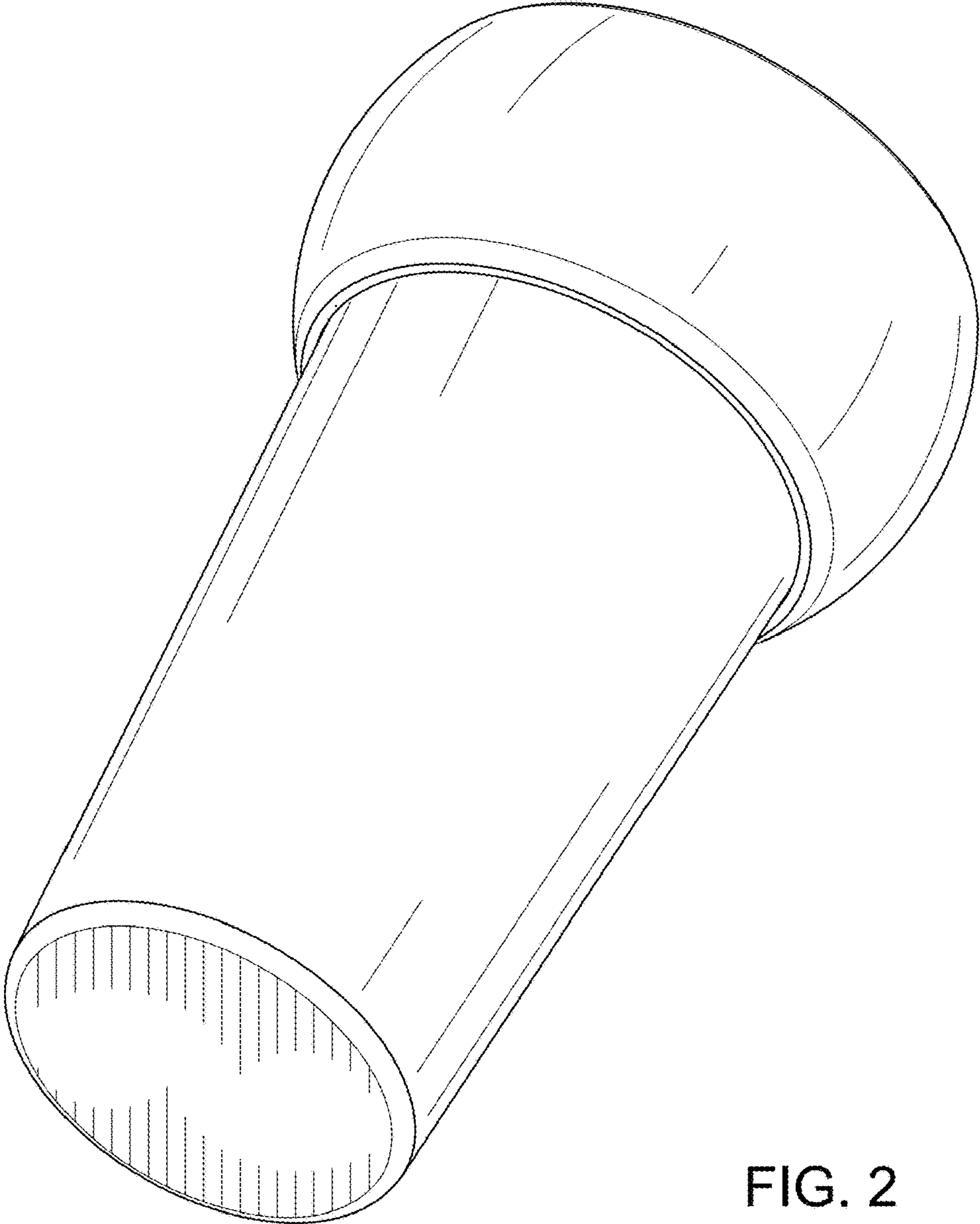


FIG. 2

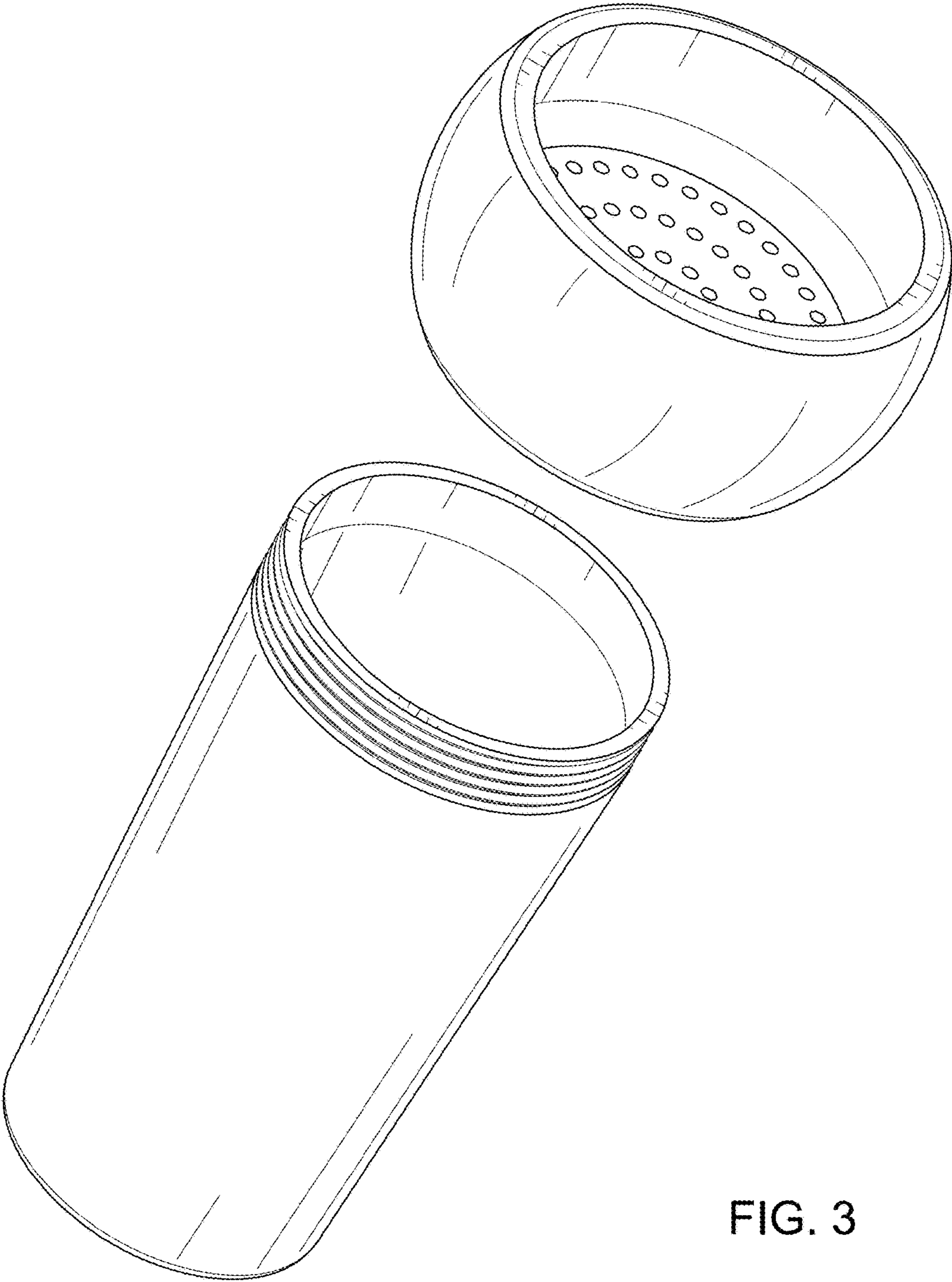


FIG. 3

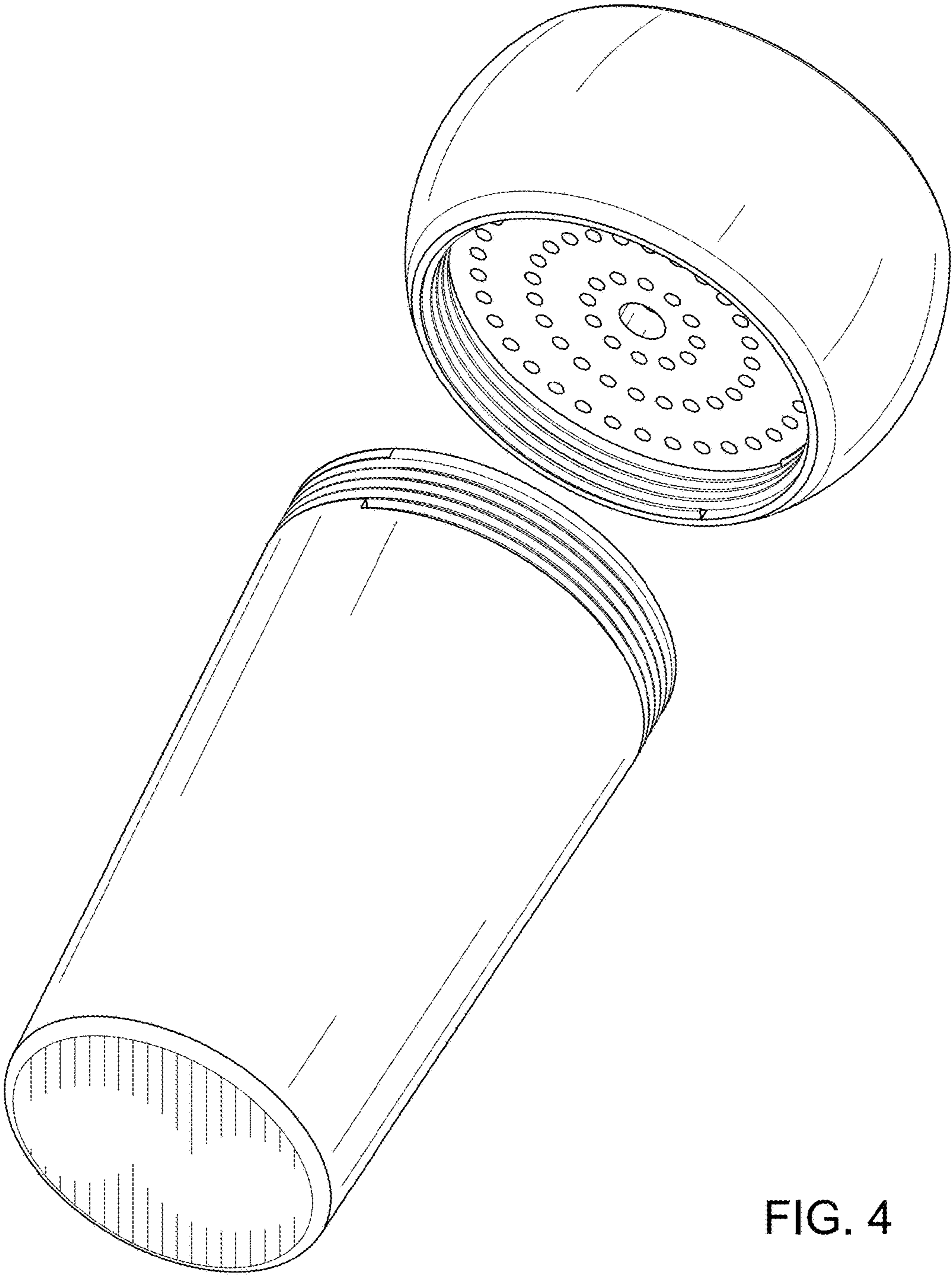


FIG. 4

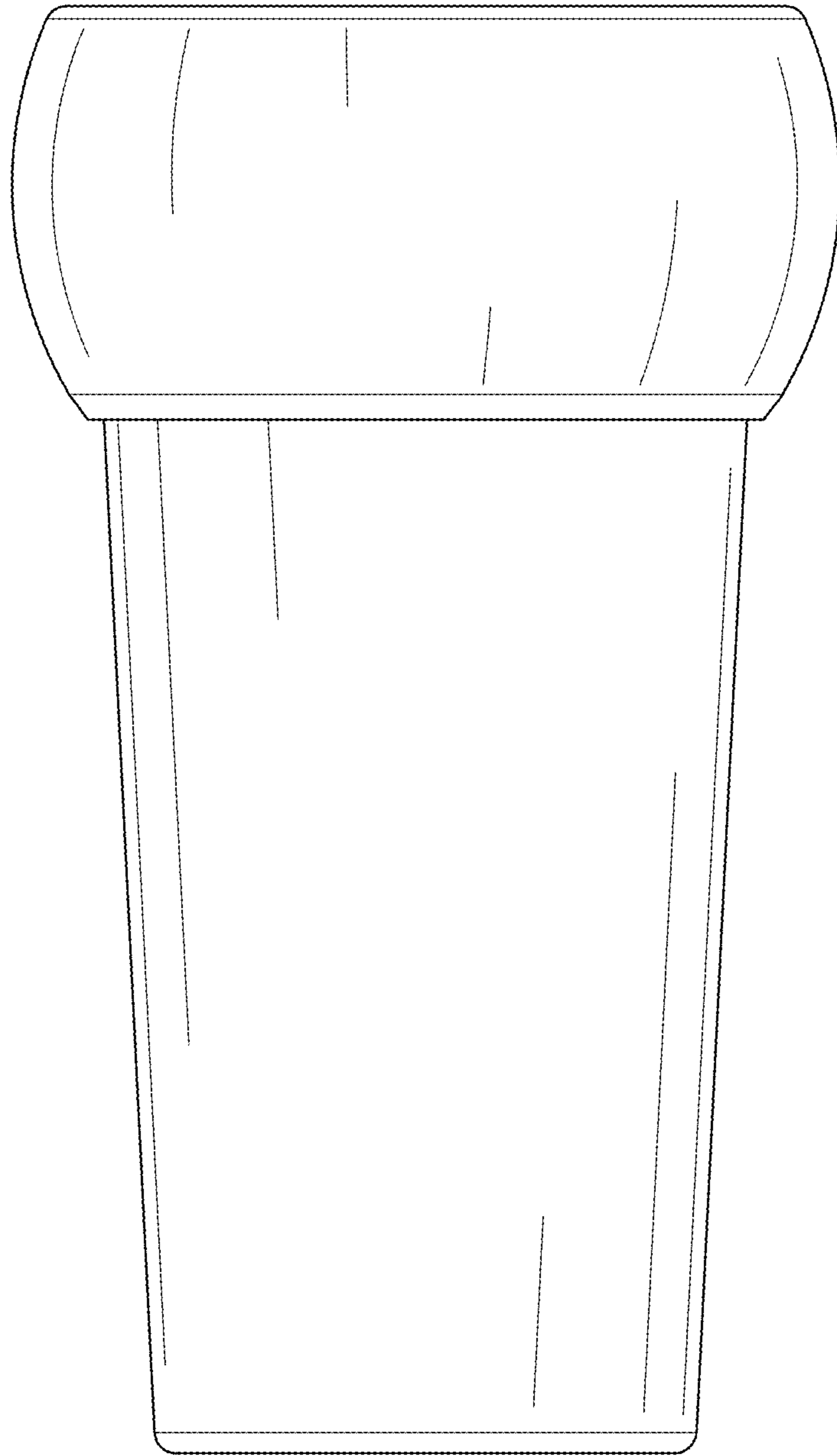


FIG. 5

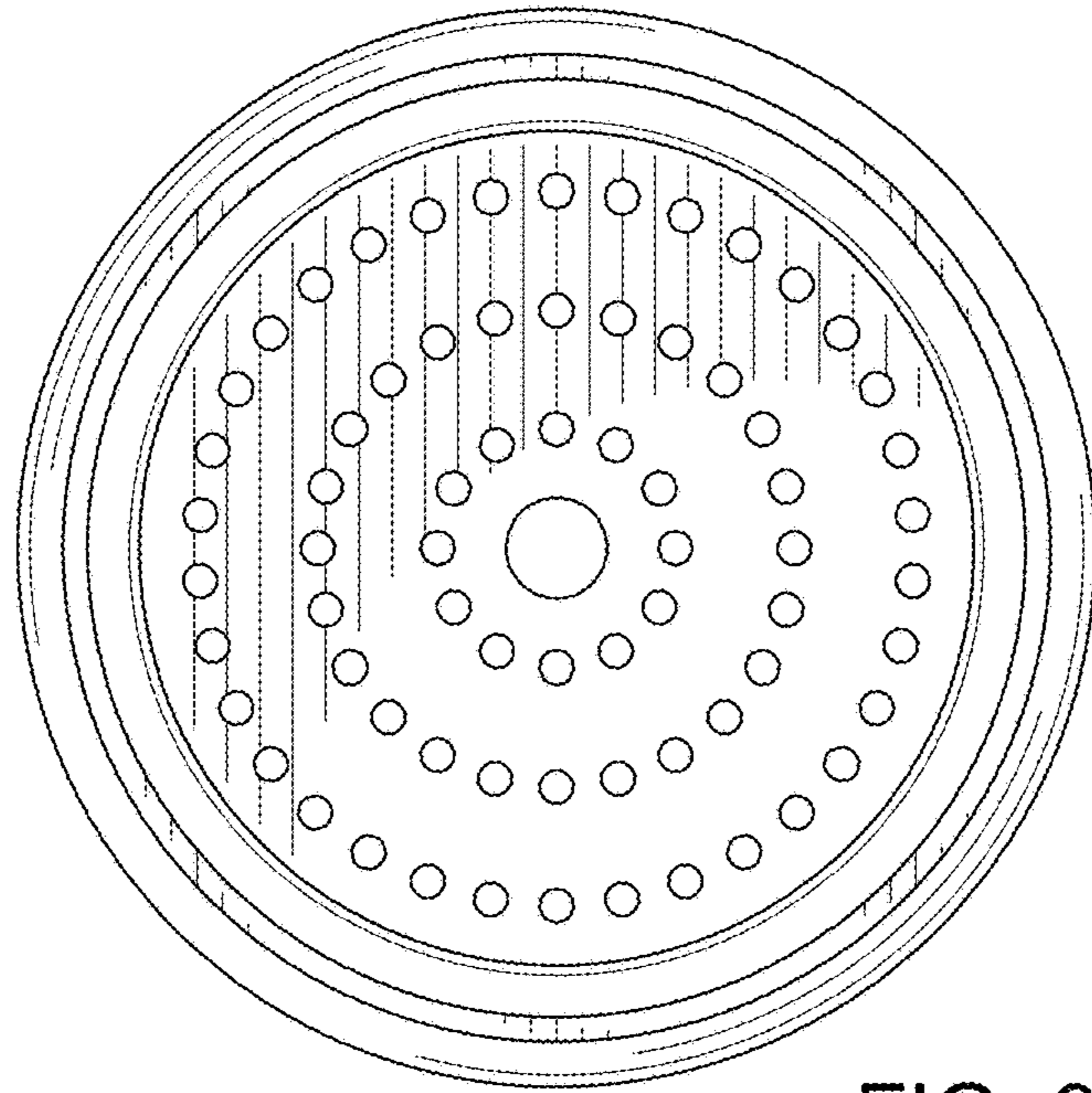


FIG. 6

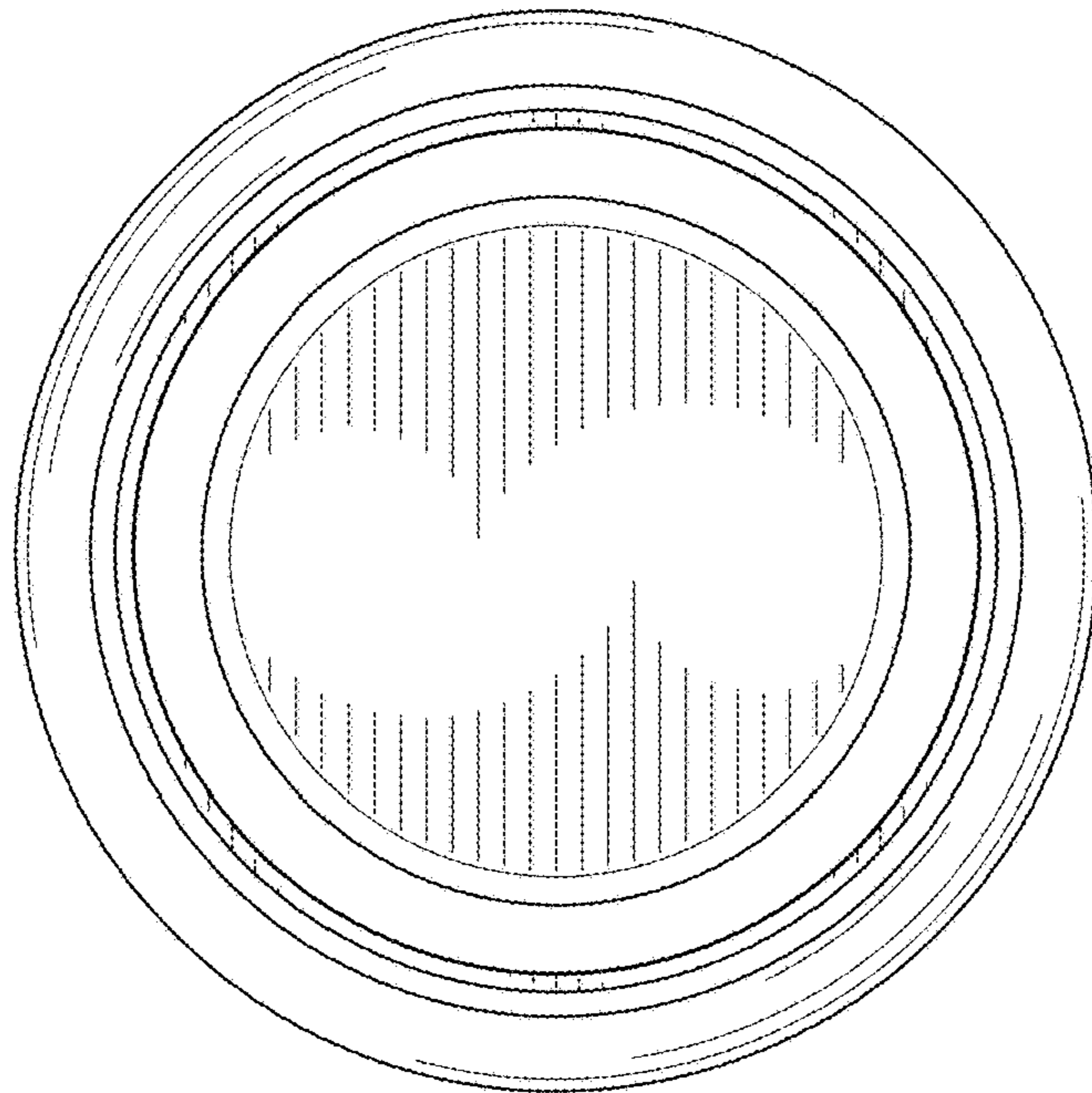


FIG. 7