



US00D837594S

(12) **United States Design Patent**  
**Palese**

(10) **Patent No.: US D837,594 S**  
(45) **Date of Patent: \*\* Jan. 8, 2019**

(54) **GRINDER SAFETY COVER**

(71) Applicant: **BLUE SKY INNOVATION GROUP, INC.**, Avon, OH (US)

(72) Inventor: **Jeffery W. Palese**, North Ridgeville, OH (US)

(73) Assignee: **BLUE SKY INNOVATION GROUP, INC.**, Avon, OH (US)

(\*\*) Term: **15 Years**

(21) Appl. No.: **29/573,398**

(22) Filed: **Aug. 5, 2016**

(51) **LOC (11) Cl.** ..... **07-02**

(52) **U.S. Cl.**  
USPC ..... **D7/414**; D7/372; D7/412

(58) **Field of Classification Search**  
USPC ..... D7/372, 376-386, 414, 665-666, 669, D7/678-679, 693-694

CPC ..... A01F 2015/07; A01F 2015/077; A01F 2015/0775; A23N 1/00; A23N 1/02; A47J 19/00; A47J 19/005; A47J 19/02; A47J 19/04; A47J 19/06; A47J 42/32; A47J 42/34; A47J 42/36; A47J 43/044; A47J 43/25; A47J 43/255; B01F 7/26; B01F 7/28; B01F 11/0082; B01F 13/04; B02C 13/00; B02C 13/02; B02C 13/10; B02C 18/06; B02C 18/26; B02C 18/30; B02C 18/302; B02C 18/304; B02C 18/305; B02C 18/362; B02C 25/00; B02C 2002/00; B02C 2013/00; B02C 2013/14; B02C 2013/145; B02C 2013/18; B02C 2013/1807; B02C 2013/1857; B02C 2013/1864; B26D 7/22; B27G 19/02; B30B 9/00; B30B 9/16; B30B 9/18; B30B 9/20; B30B 9/26; B30B 9/205; B30B 9/207; F16J 13/06; F16L 55/1157

See application file for complete search history.

(56) **References Cited**

U.S. PATENT DOCUMENTS

745,516	A *	12/1903	Perks .....	B27G 19/02
				30/292
1,330,775	A *	2/1920	Anderson .....	B02C 18/302
				241/82.5
1,675,809	A *	7/1928	Knowlton .....	B02C 18/305
				241/280
1,712,232	A *	5/1929	Rothfus .....	F16J 13/06
				138/96 R
1,942,082	A *	1/1934	Biancalana .....	B02C 18/302
				165/47
2,277,123	A *	3/1942	Majestic .....	B02C 18/302
				241/166
3,646,979	A *	3/1972	Anderson .....	B02C 18/362
				241/82.5

(Continued)

*Primary Examiner* — Ricky Pham

(74) *Attorney, Agent, or Firm* — Tarolli, Sundheim, Covell & Tummino LLP

(57) **CLAIM**

The ornamental design for a grinder safety cover, as shown and described.

**DESCRIPTION**

FIG. 1 is a top perspective view of a grinder safety cover illustrating our new design.

FIG. 2 is a bottom perspective view thereof.

FIG. 3 is a top view thereof.

FIG. 4 is a bottom view thereof.

FIG. 5 is a right side view thereof.

FIG. 6 is a left side view thereof.

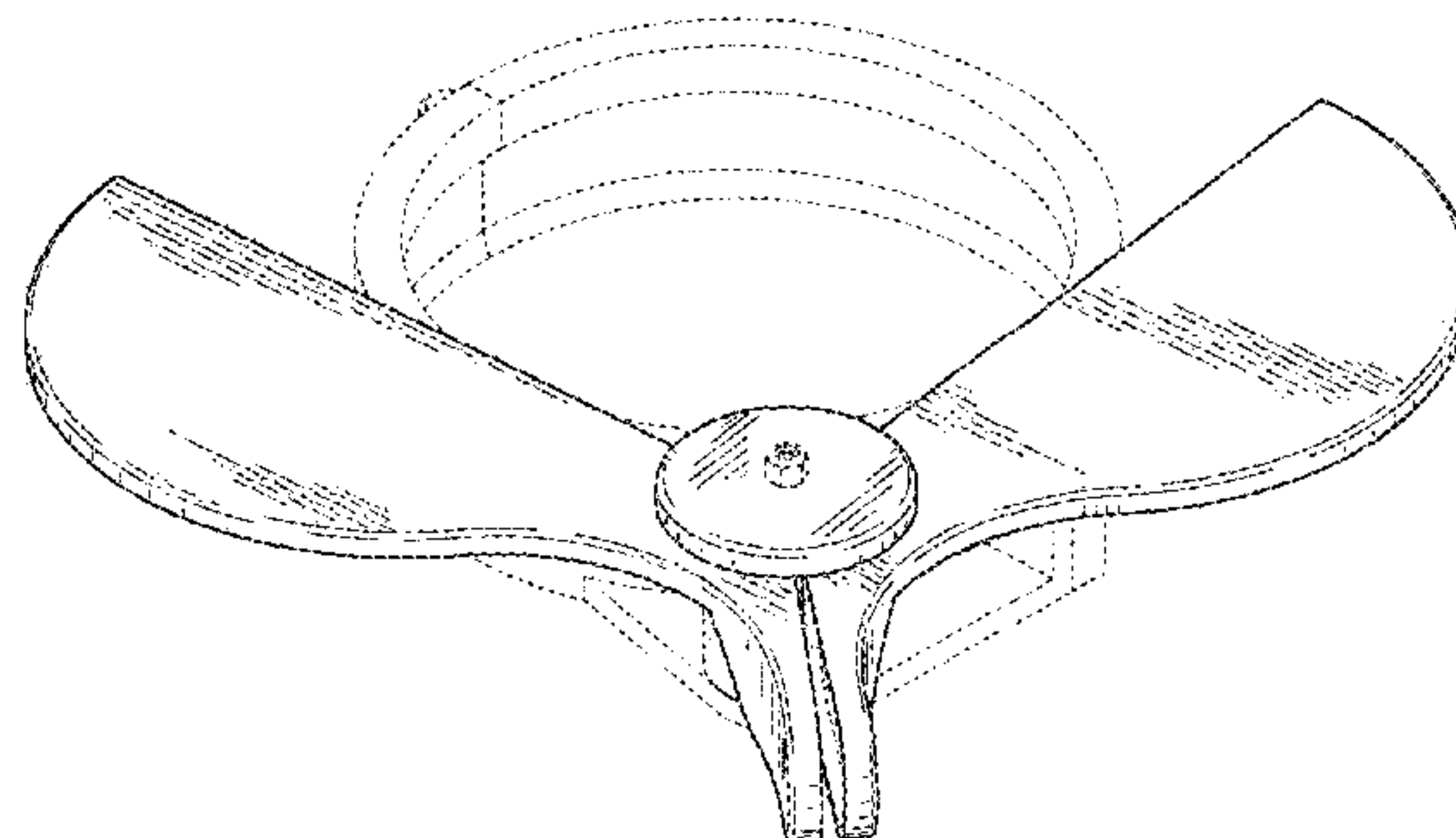
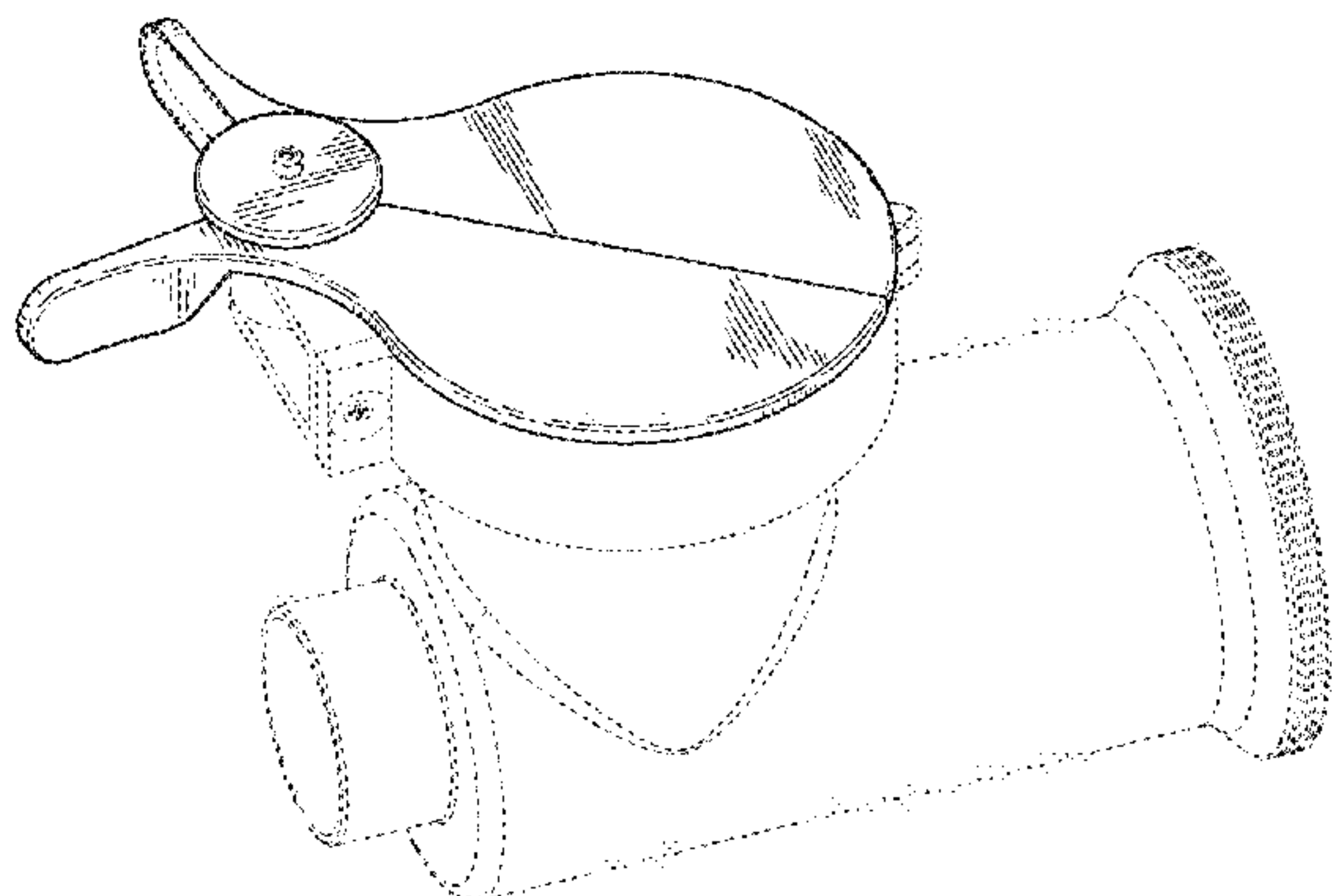
FIG. 7 is a front view thereof.

FIG. 8 is a rear view thereof; and,

FIG. 9 is a top perspective view thereof illustrating parts in different positions.

The broken line portions show unclaimed subject matter only and form no part of the claimed design.

**1 Claim, 4 Drawing Sheets**



(56)

**References Cited**

U.S. PATENT DOCUMENTS

4,795,104 A \* 1/1989 Rudibaugh ..... B02C 18/302  
241/101.8  
4,962,581 A \* 10/1990 Rutigliano ..... B26D 7/088  
134/18  
5,188,011 A \* 2/1993 Somal ..... B26D 7/22  
83/478  
D563,165 S \* 3/2008 Younger ..... D7/414  
8,403,165 B2 \* 3/2013 DeMent ..... F16L 55/1157  
220/210

\* cited by examiner

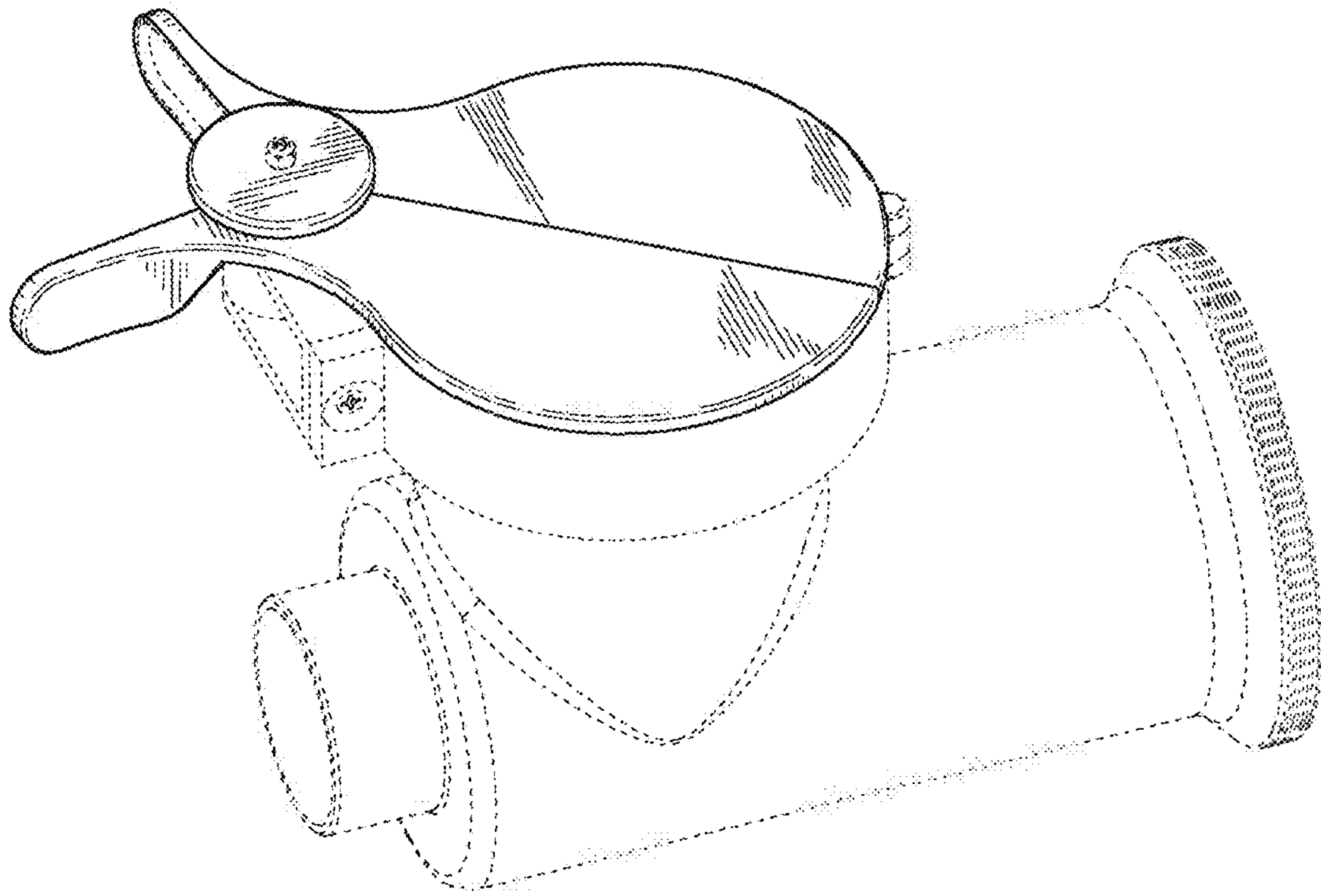


Fig. 1

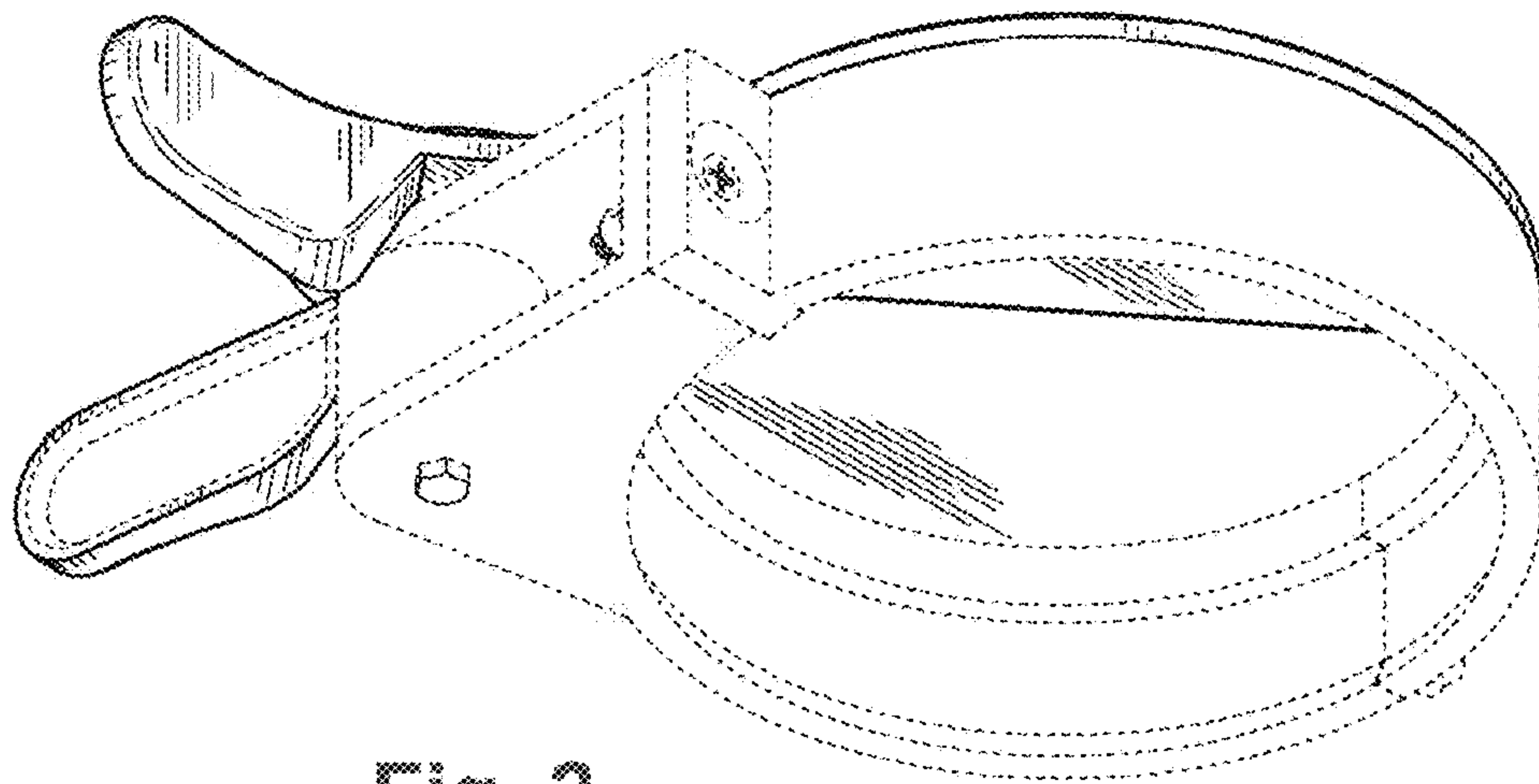


Fig. 2

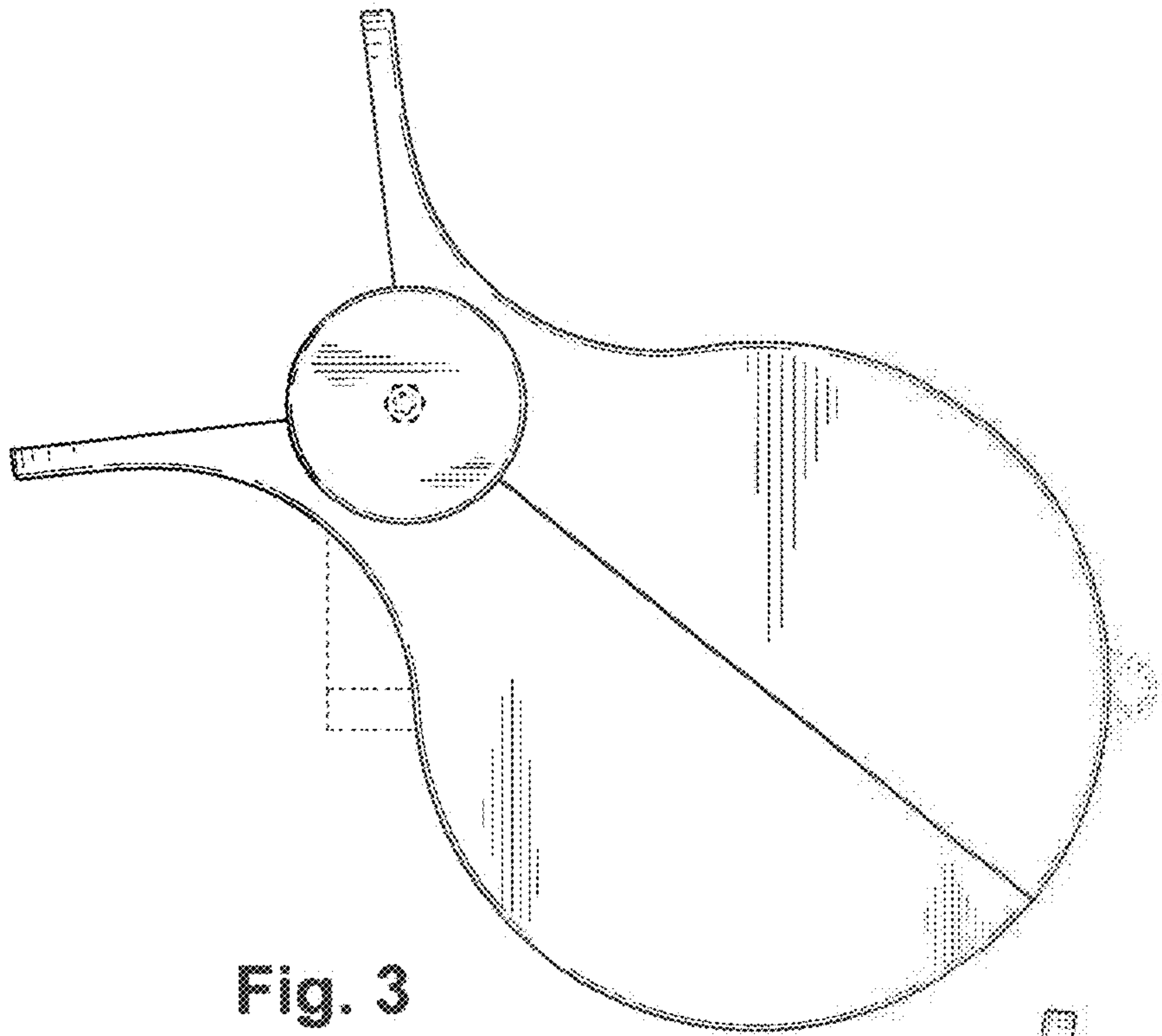


Fig. 3

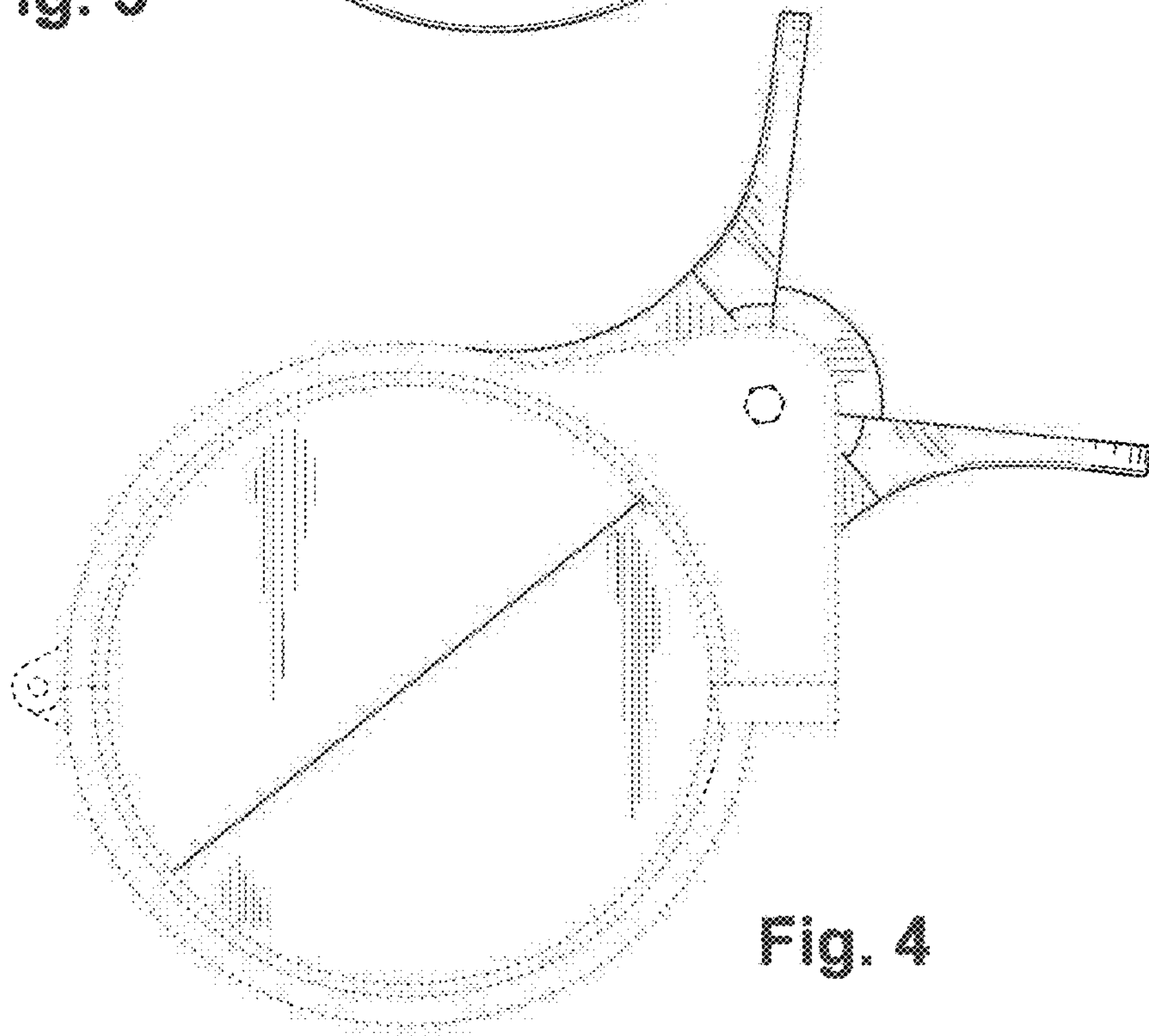


Fig. 4



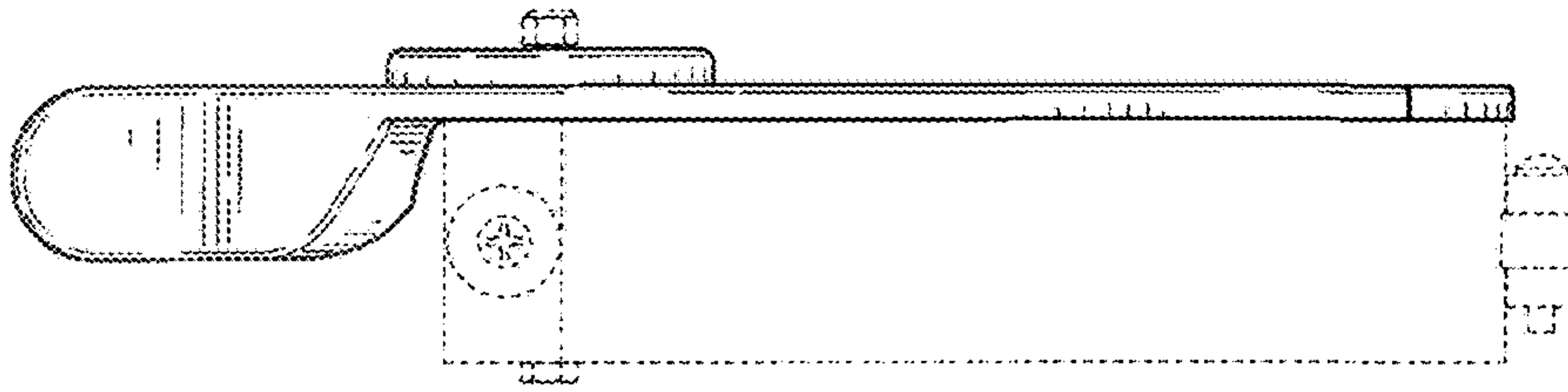


Fig. 5

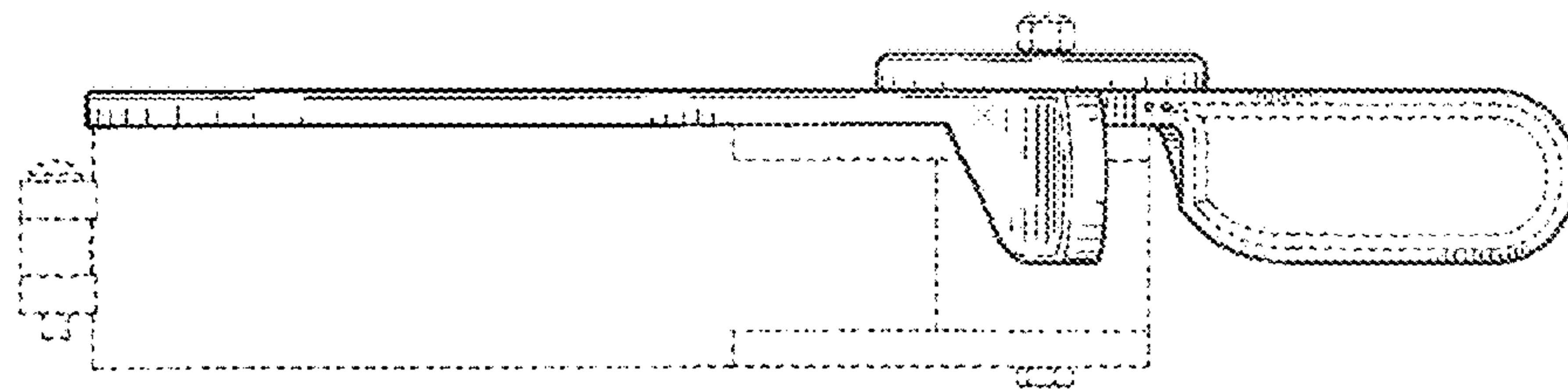


Fig. 6

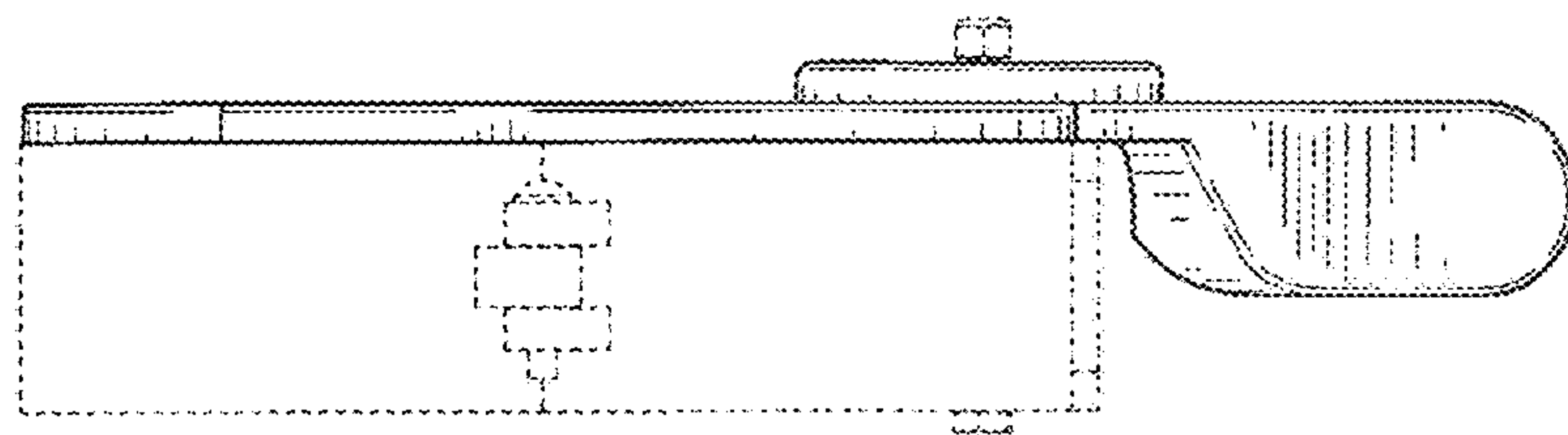


Fig. 7

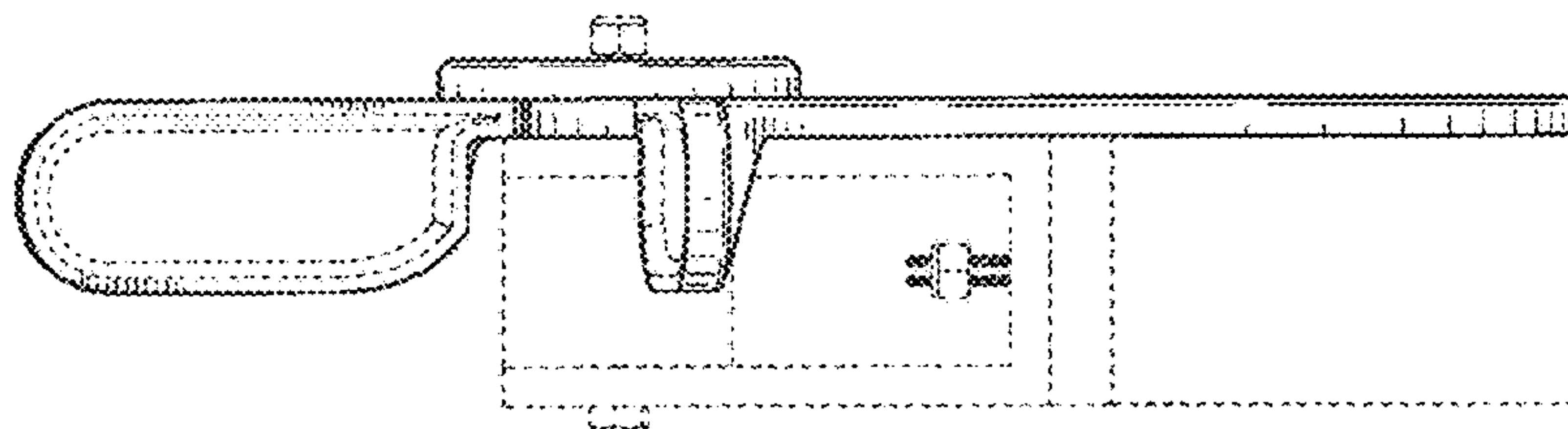


Fig. 8

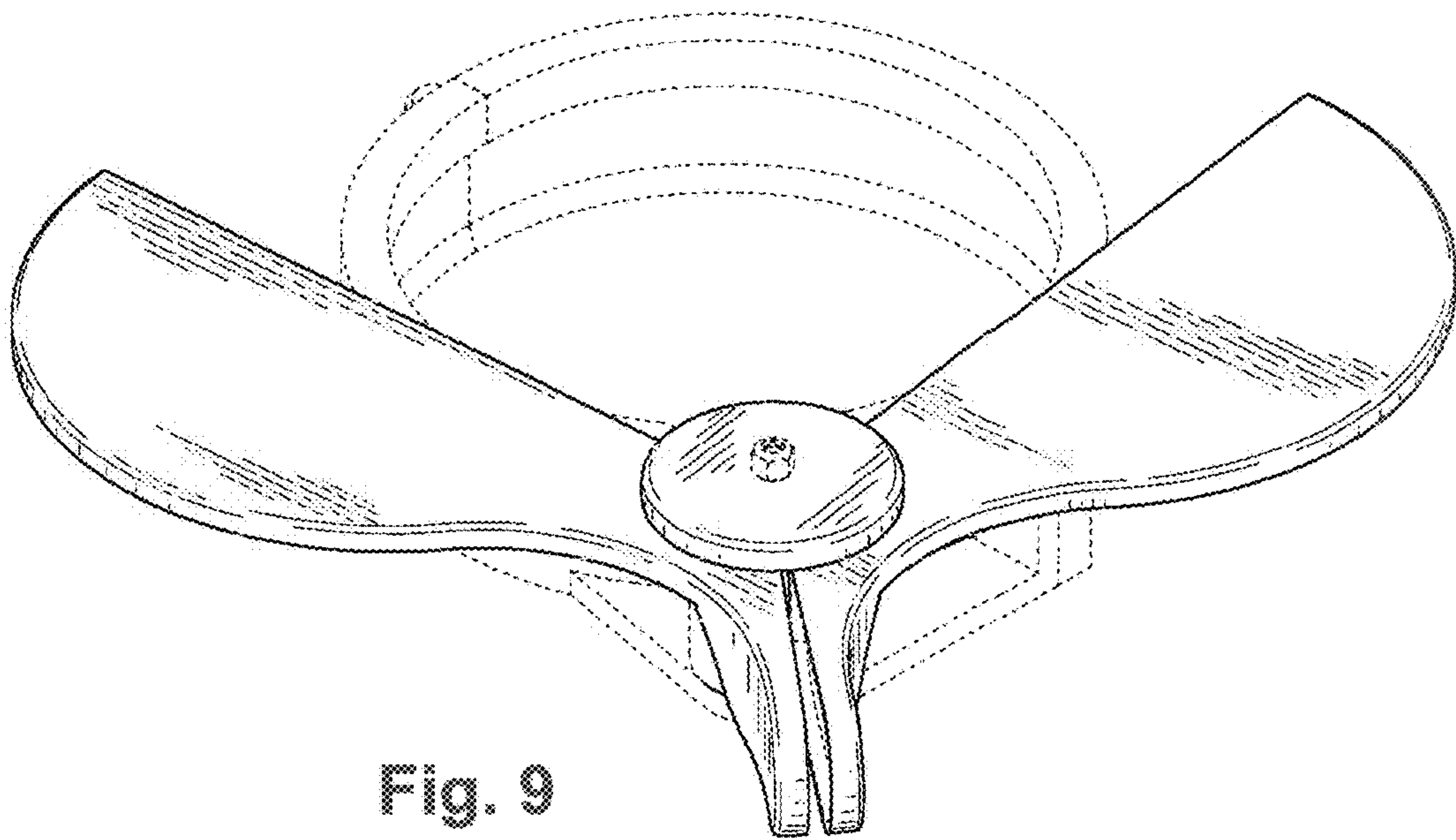


Fig. 9