



US00D837593S

(12) **United States Design Patent**
Trudnak et al.

(10) **Patent No.:** **US D837,593 S**
(45) **Date of Patent:** **** Jan. 8, 2019**

- (54) **CIRCULAR RACK FOR COOKING**
- (71) Applicants: **Robert Trudnak**, Lansdale, PA (US);
Eric Fulmer, Norristown, PA (US)
- (72) Inventors: **Robert Trudnak**, Lansdale, PA (US);
Eric Fulmer, Norristown, PA (US)
- (73) Assignee: **Therm-Omega-Tech, Inc.**, Warminster,
PA (US)
- (**) Term: **15 Years**
- (21) Appl. No.: **29/637,191**
- (22) Filed: **Feb. 14, 2018**
- (51) **LOC (11) Cl.** **07-02**
- (52) **U.S. Cl.**
USPC **D7/409**
- (58) **Field of Classification Search**
USPC D7/323, 332, 335-337, 354-355,
D7/359-364, 387-388, 402, 407-409,
D7/704; D19/77
CPC A21B 2/00; A21B 3/00; A21B 3/13; A21B
3/15; A21B 5/00; A21B 5/02; A23N
12/06; A23N 12/08; A23N 12/10; A45C
11/20; A47J 27/04; A47J 27/122; A47J
37/00; A47J 37/04; A47J 37/041; A47J
37/042; A47J 37/043; A47J 37/06; A47J
37/0688; A47J 37/0694; A47J 37/07;
A47J 37/0704; A47J 37/10; A47J 47/16;
A47J 47/20; A47J 2037/00; A47J
2037/06; A47J 2037/0611; A47J 2037/07;
A47J 2037/0786; A47J 2037/0795; F24C
15/10; F24C 15/12; F24C 15/14; F24C
15/16; F24C 15/164; F24C 15/18
See application file for complete search history.

- 1,956,678 A * 5/1934 Hanson A45C 11/20
108/183
- 3,212,426 A * 10/1965 Lewus A47J 27/04
126/369
- 3,347,404 A * 10/1967 McIntyre A47J 27/122
220/23.4
- 4,458,585 A 7/1984 Erbach
- D288,053 S * 2/1987 Maza A47J 47/16
D7/704
- 5,195,424 A * 3/1993 Guajaca A47J 27/04
126/348
- D339,266 S * 9/1993 Lockett A47J 27/122
D7/323
- 5,845,563 A * 12/1998 Haring A47J 37/043
99/419
- D542,092 S 5/2007 Raichlen et al.
- 7,281,469 B1 10/2007 Barbour et al.
- D568,684 S 5/2008 Tiemann

(Continued)

Primary Examiner — Ricky Pham

(74) Attorney, Agent, or Firm — Cusick IP, PLLC;
Clinton J. Cusick

(57) **CLAIM**

The ornamental design for a circular rack for cooking, as shown.

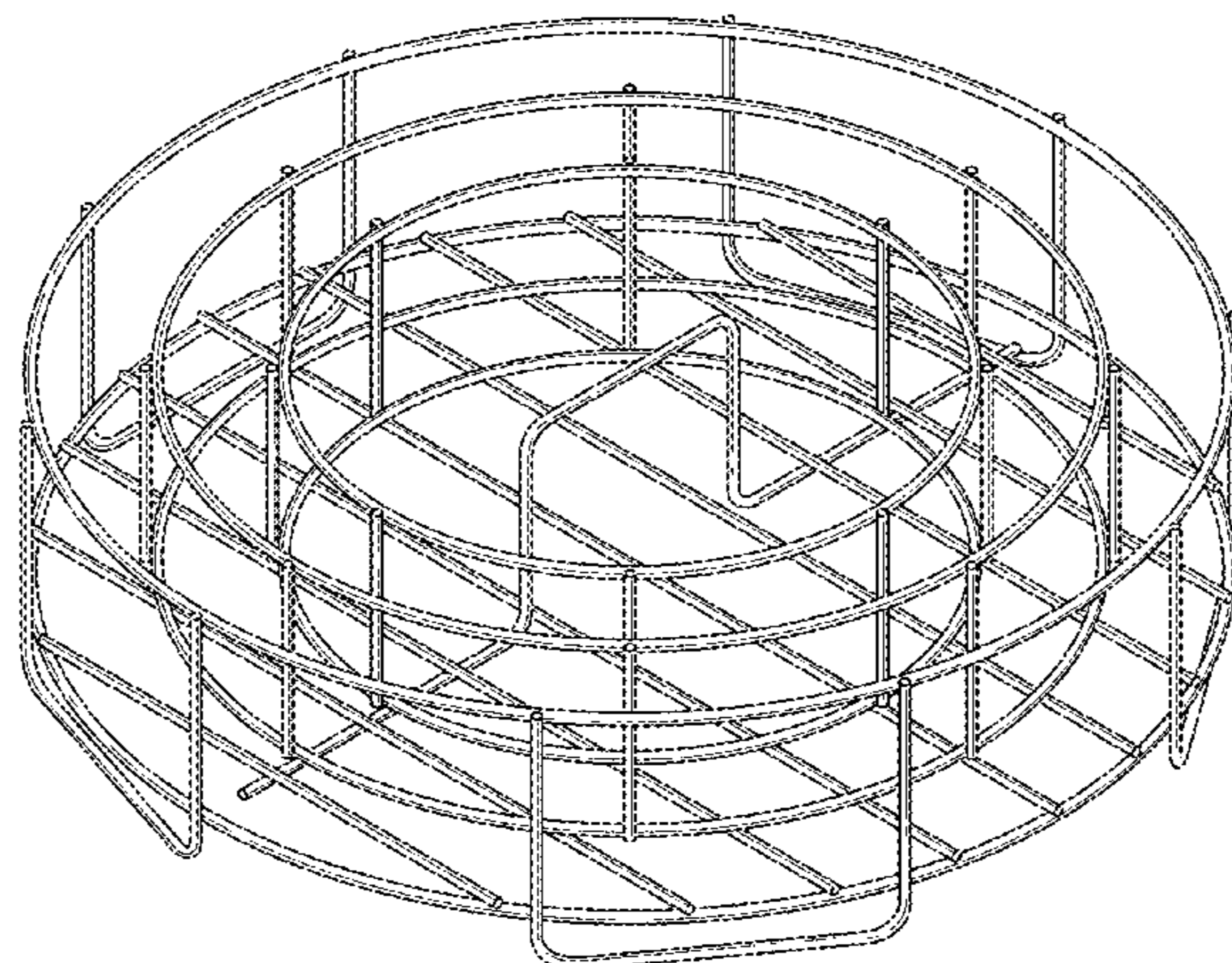
DESCRIPTION

FIG. 1 is a perspective view of our new design of a circular rack for cooking;
FIG. 2 is a front elevation view thereof;
FIG. 3 is a right-side elevation view thereof;
FIG. 4 is a rear elevation view thereof;
FIG. 5 is a left-side elevation view thereof;
FIG. 6 is a top plan view thereof; and,
FIG. 7 is a bottom plan view thereof.

1 Claim, 5 Drawing Sheets

(56) **References Cited**
U.S. PATENT DOCUMENTS

- 1,530,175 A * 3/1925 Hatch, Jr. A47J 47/16
220/486
- 1,631,725 A * 6/1927 Halvorsen A47J 47/16
211/85.31



(56)

References Cited

U.S. PATENT DOCUMENTS

D588,199 S * 3/2009 Eisenbaum A47J 27/04
D19/77
D599,167 S 9/2009 Tiemann
D615,355 S * 5/2010 Viahos A45C 11/20
D7/409
D648,174 S 11/2011 Lu
D650,225 S * 12/2011 Bartol A47J 37/043
D7/354
D658,939 S 5/2012 Adams et al.
D699,073 S 2/2014 Cheung
D702,501 S 4/2014 Hand
D789,146 S * 6/2017 Maslana D7/409

* cited by examiner

FIG. 1

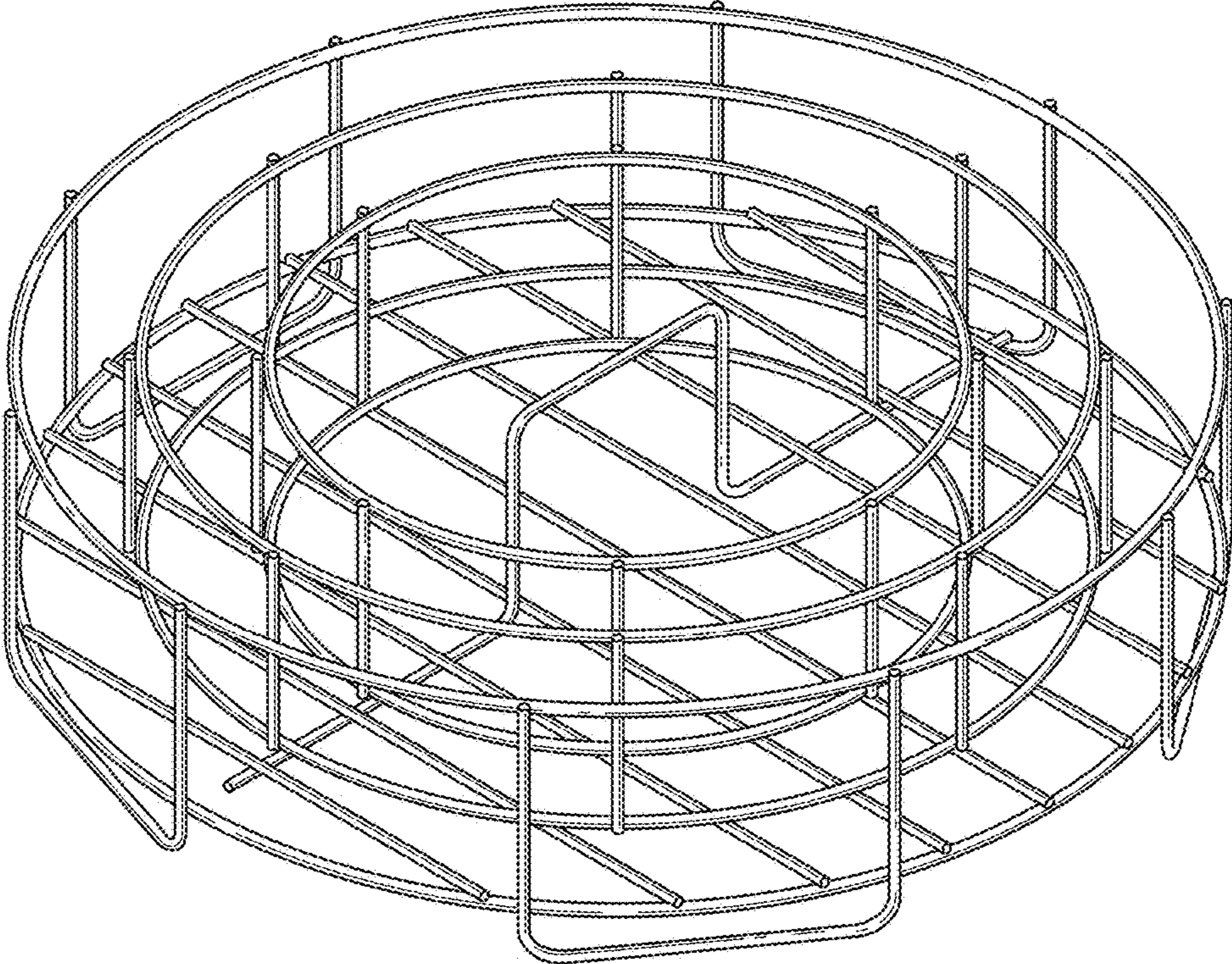


FIG. 2

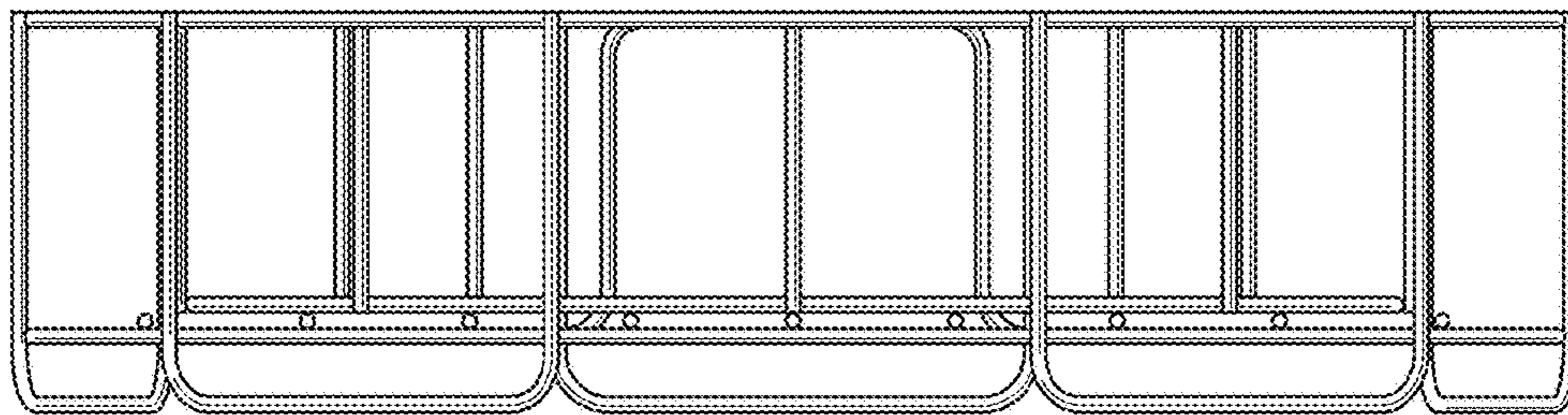


FIG. 3

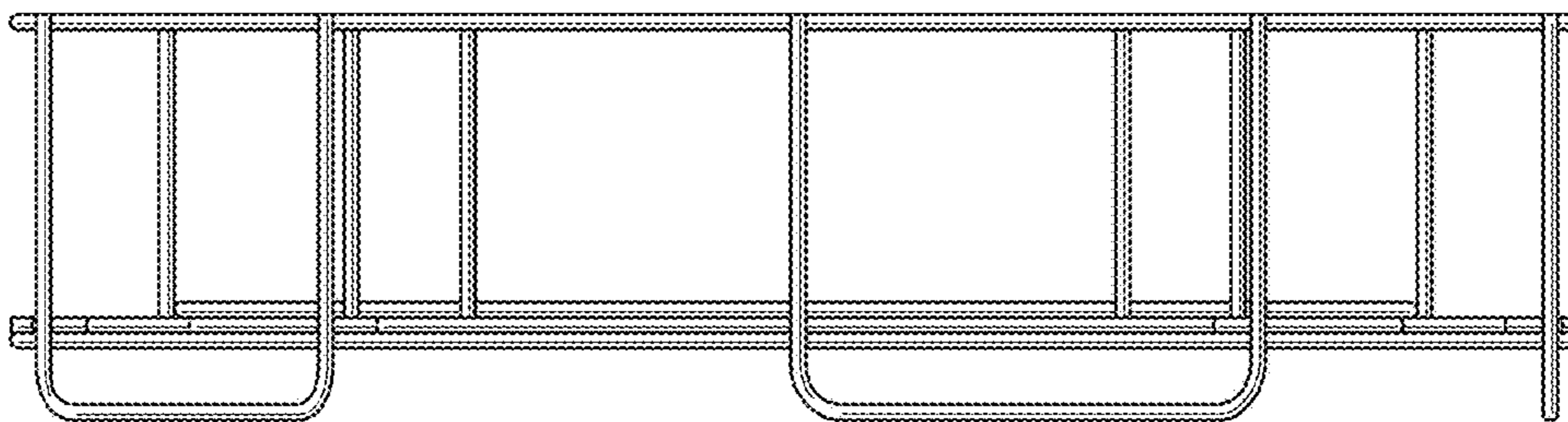


FIG. 4

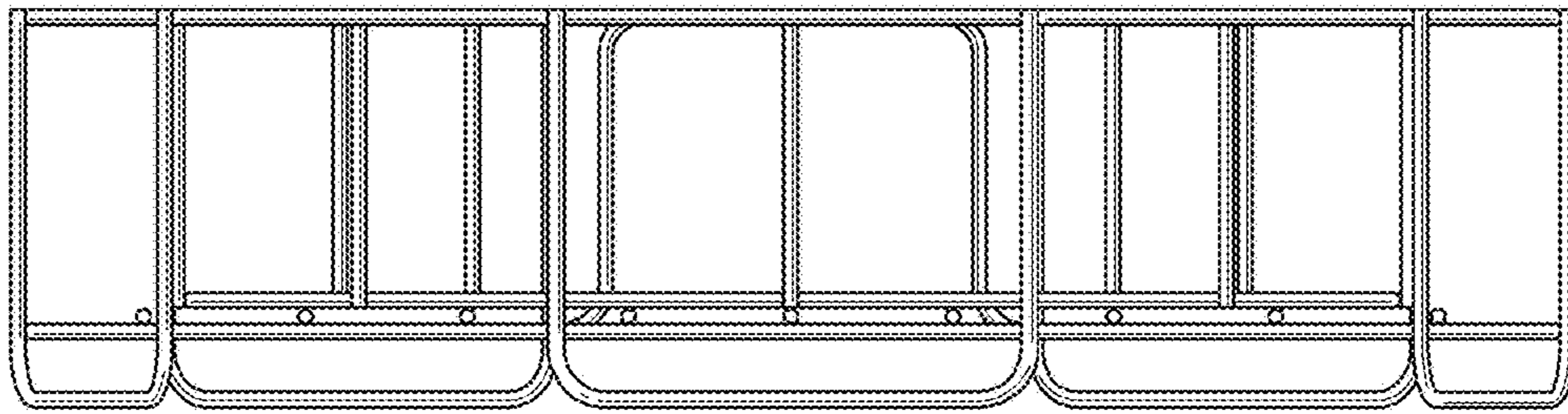


FIG. 5

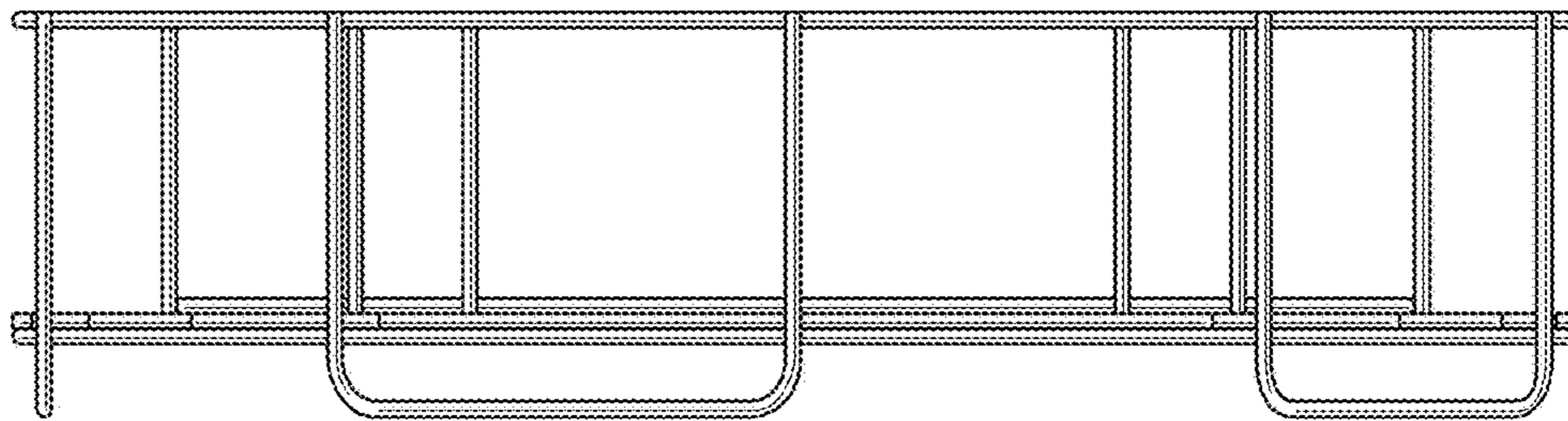


FIG. 6

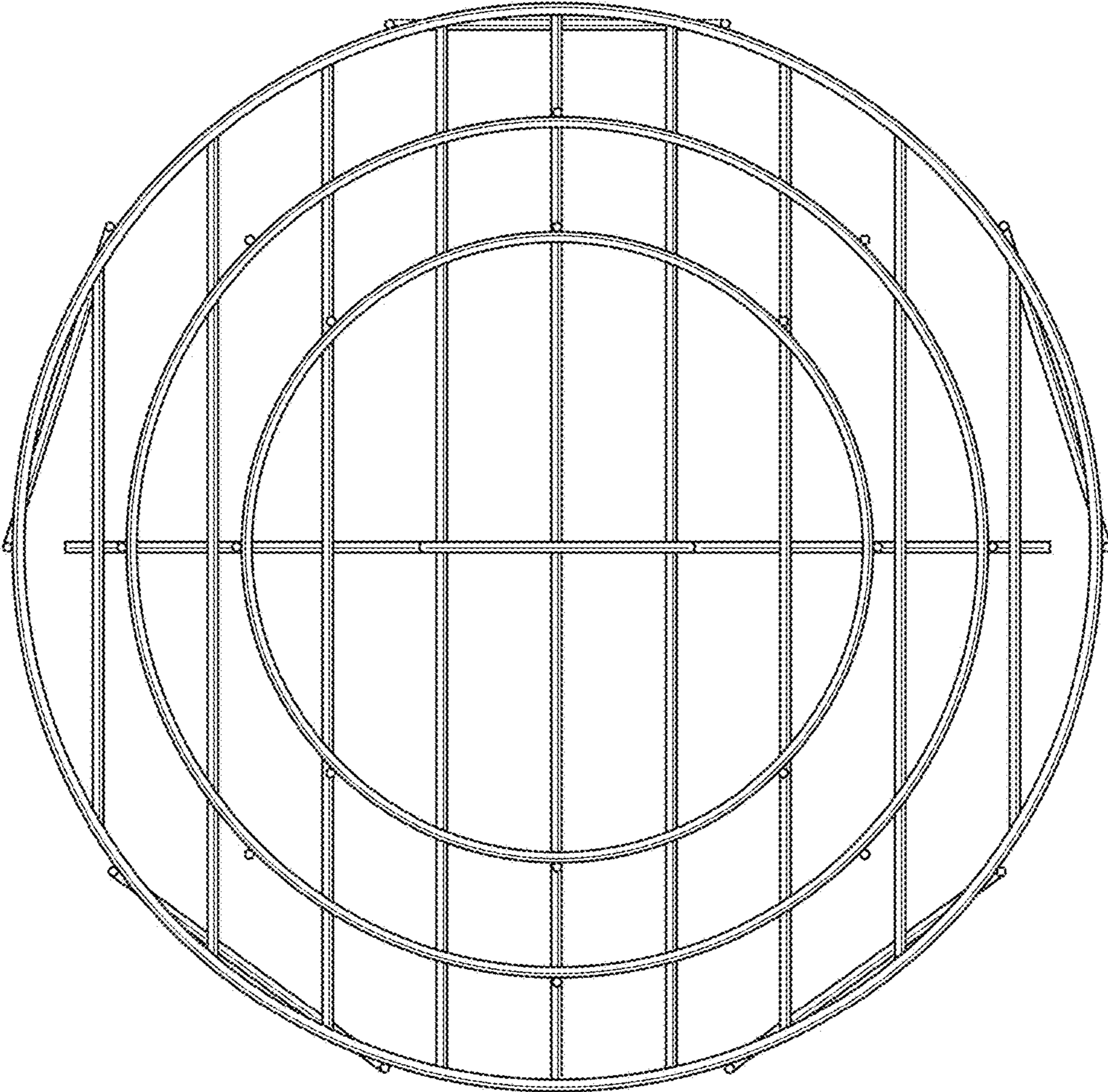


FIG. 7

