



US00D837592S

(12) **United States Design Patent**
Lira-Nunez et al.

(10) **Patent No.:** **US D837,592 S**
(45) **Date of Patent:** **** Jan. 8, 2019**

(54) **WHEEL FOR A COOKING DEVICE**

(71) Applicants: **Carmen O. Lira-Nunez**, Downers Grove, IL (US); **Hudson Kirk Rio**, Chicago, IL (US)

(72) Inventors: **Carmen O. Lira-Nunez**, Downers Grove, IL (US); **Hudson Kirk Rio**, Chicago, IL (US)

(73) Assignee: **Weber-Stephen Products LLC**, Palatine, IL (US)

(**) Term: **15 Years**

(21) Appl. No.: **29/550,080**

(22) Filed: **Dec. 30, 2015**

(51) **LOC (11) Cl.** **07-02**

(52) **U.S. Cl.**
USPC **D7/403**

(58) **Field of Classification Search**
USPC D7/387, 402-409, 393, 394, 323, 331, D7/332-337, 339, 340, 346-349, 351, D7/354, 358; D12/500, 501, 502, 204
CPC F24C 15/36; F24C 15/107; F24C 15/024; F24C 3/08; F24C 3/124; F24C 7/08; F24C 7/081; F24C 7/082; F24C 7/087; A47J 37/042; A47J 37/07; A47J 37/12; A47J 37/129; A47J 37/1295

See application file for complete search history.

(56) **References Cited**

U.S. PATENT DOCUMENTS

D481,588 S * 11/2003 Choi D7/402
D481,907 S 11/2003 Choi

D481,908 S 11/2003 Choi
D483,992 S 12/2003 Choi
D498,975 S * 11/2004 Choi D7/402
D547,593 S * 7/2007 May D7/334
D601,938 S * 10/2009 Ohara D12/502
D687,668 S * 8/2013 Chung D7/334
D726,491 S * 4/2015 Witzel D7/334
D728,439 S * 5/2015 Hashimoto D12/204
D793,793 S * 8/2017 Witsch D7/334
D798,645 S * 10/2017 Lira-Nunez D7/334
D799,259 S * 10/2017 Lira-Nunez D7/334
D818,758 S * 5/2018 Witsch D7/334

* cited by examiner

Primary Examiner — Sheryl Lane

Assistant Examiner — Nicole C Shiflet

(74) *Attorney, Agent, or Firm* — Vitale, Vickrey, Niro & Gasey LLP

(57) **CLAIM**

The ornamental design for a wheel for a cooking device, as shown and described.

DESCRIPTION

FIG. 1 is a perspective view of a wheel for a cooking device of the present invention;
FIG. 2 is a side view of the wheel for a cooking device of the present invention; and,
FIG. 3 is a front view of the wheel for a cooking device of the present invention.
The broken lines showing portions of the article form no part of the claimed design.

1 Claim, 2 Drawing Sheets

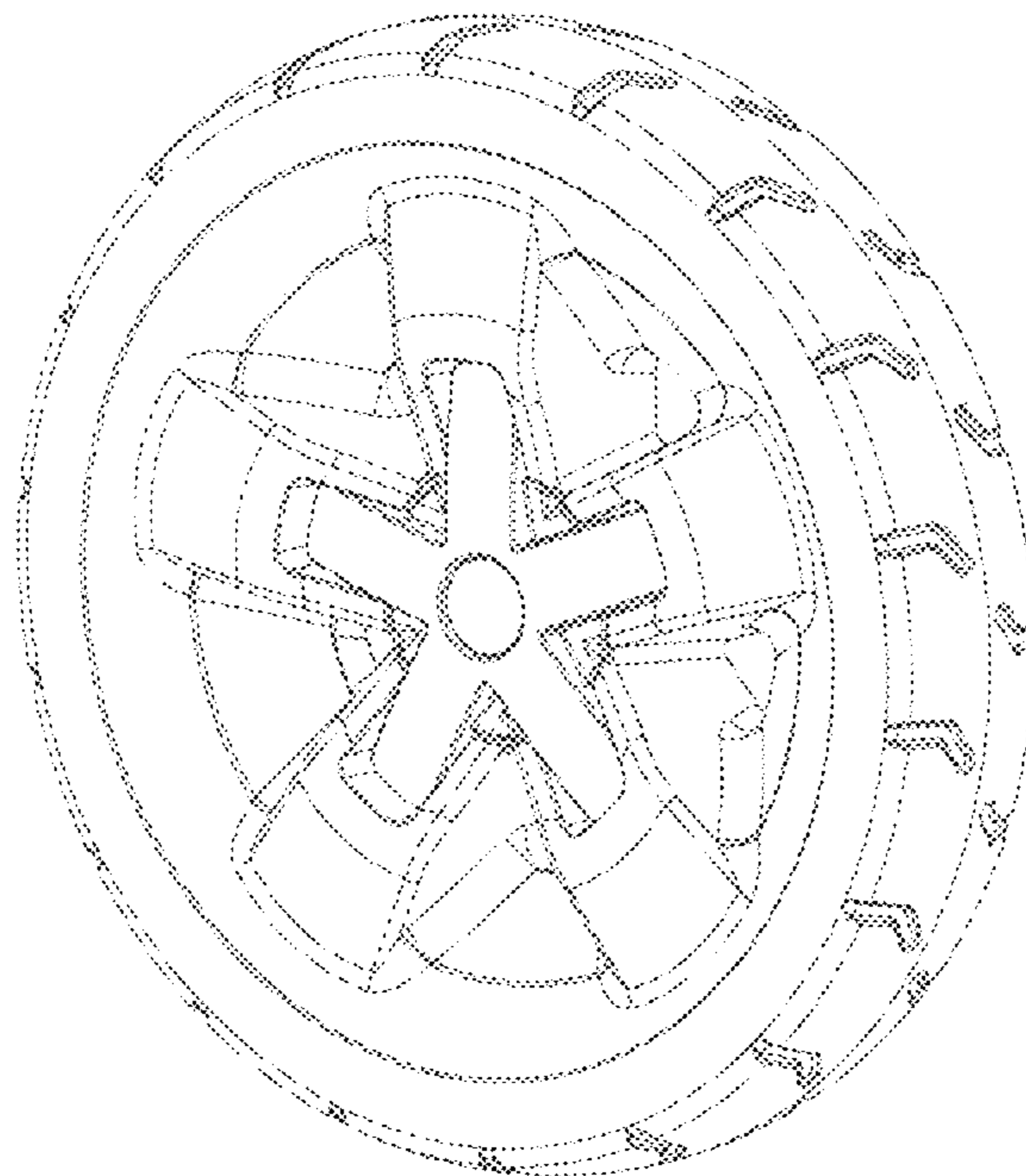


Fig. 1

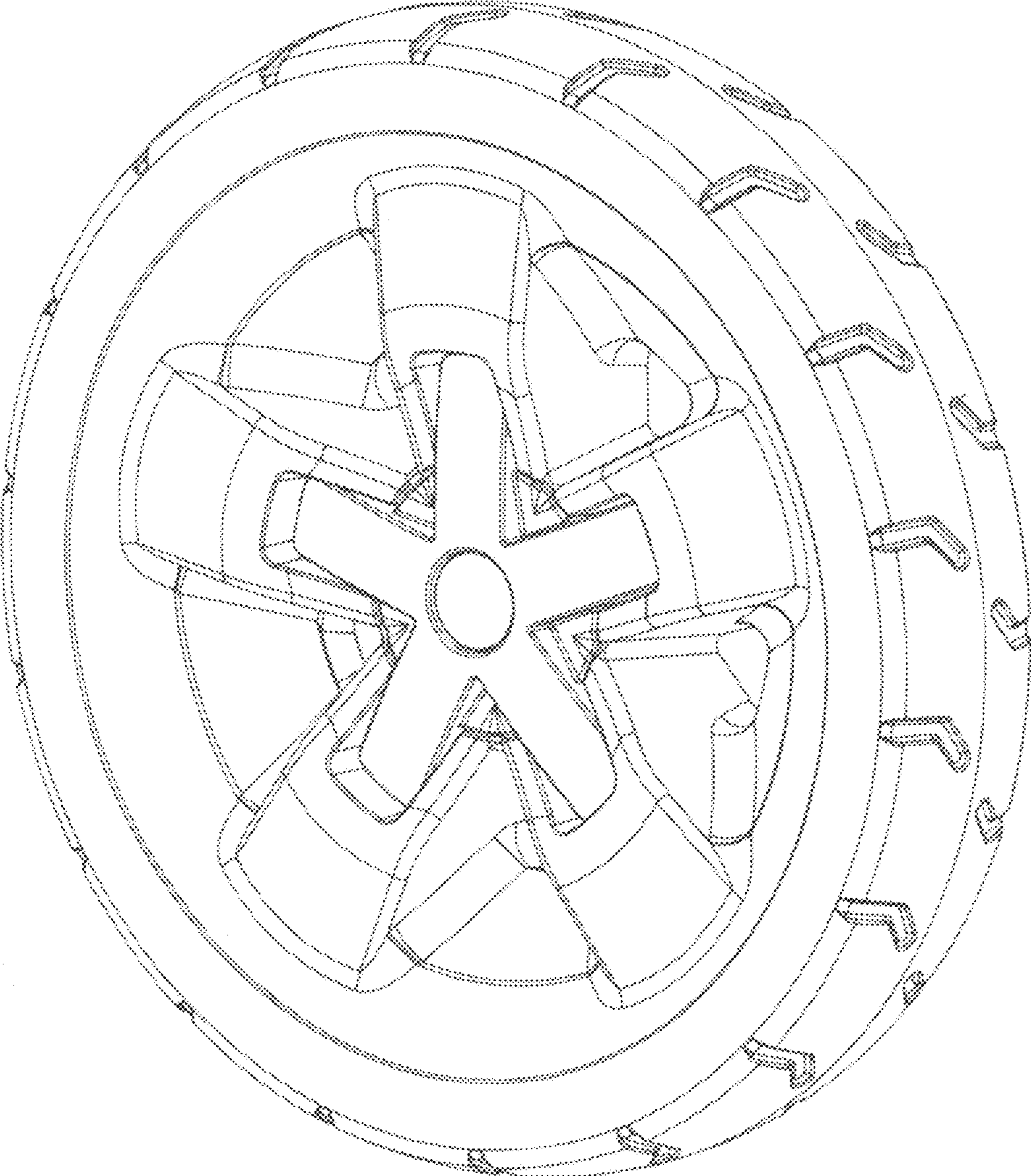


Fig. 2

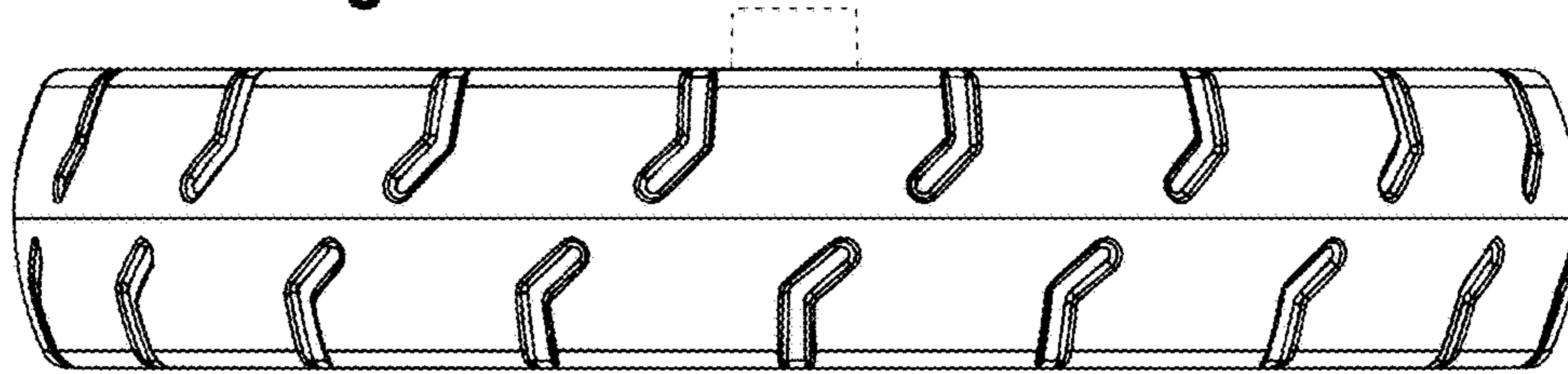


Fig. 3

