

US00D837591S

(12) **United States Design Patent**  
**Samartgis**

(10) **Patent No.:** **US D837,591 S**

(45) **Date of Patent:** **\*\* Jan. 8, 2019**

- (54) **CONTAINER LID**
- (71) Applicant: **THE DECOR CORPORATION PTY LTD**, Scoresby VIC (AU)
- (72) Inventor: **Jim Samartgis**, Scoresby (AU)
- (73) Assignee: **The Decor Corporation Pty Ltd.**, Scoresby, Victoria (AU)

D642,459	S	*	8/2011	Samartgis	.....	D9/435
D642,460	S	*	8/2011	Samartgis	.....	D9/435
D642,461	S	*	8/2011	Samartgis	.....	D9/435
D642,462	S	*	8/2011	Samartgis	.....	D9/435
D642,861	S	*	8/2011	Samartgis	.....	D7/392.1
D694,062	S	*	11/2013	Andres	.....	D7/392.1
D811,813	S	*	3/2018	Sarnoff	.....	D7/392.1
2015/0069063	A1	*	3/2015	Yang	.....	B65D 43/0212 220/319

- (\*\*) Term: **15 Years**
- (21) Appl. No.: **29/609,337**
- (22) Filed: **Jun. 29, 2017**

- (30) **Foreign Application Priority Data**  
Feb. 9, 2017 (AU) ..... 201710757
- (51) **LOC (11) Cl.** ..... **07-99**
- (52) **U.S. Cl.**  
USPC ..... **D7/392.1**
- (58) **Field of Classification Search**  
USPC ..... D7/354, 360, 391, 392, 392.1, 396.1,  
D7/510, 511, 538, 540, 542, 543, 544,  
D7/545, 602, 629, 705; D9/424, 430,  
D9/434, 435, 443, 447, 449, 452, 453,  
D9/454, 780  
CPC ..... B65D 2543/00101; B65D 2543/00027  
See application file for complete search history.

(56) **References Cited**  
U.S. PATENT DOCUMENTS

D425,363	S	*	5/2000	Loew	.....	D7/392.1
D506,132	S	*	6/2005	De-Vries	.....	D9/430
D642,049	S	*	7/2011	Samartgis	.....	D9/435
D642,052	S	*	7/2011	Samartgis	.....	D9/435
D642,053	S	*	7/2011	Samartgis	.....	D9/435

**OTHER PUBLICATIONS**

YouTube-Howards Storage World Australia, Fast Ed and Decor Match ups with Clips, Sep. 18, 2017, Available on the Internet URL <https://www.youtube.com/watch?v=Y3mgo6ABVwM>.\*

\* cited by examiner

*Primary Examiner* — Karen S Acker  
*Assistant Examiner* — Steven B Reinholdt, Jr.  
 (74) *Attorney, Agent, or Firm* — Kilpatrick Townsend & Stockton LLP

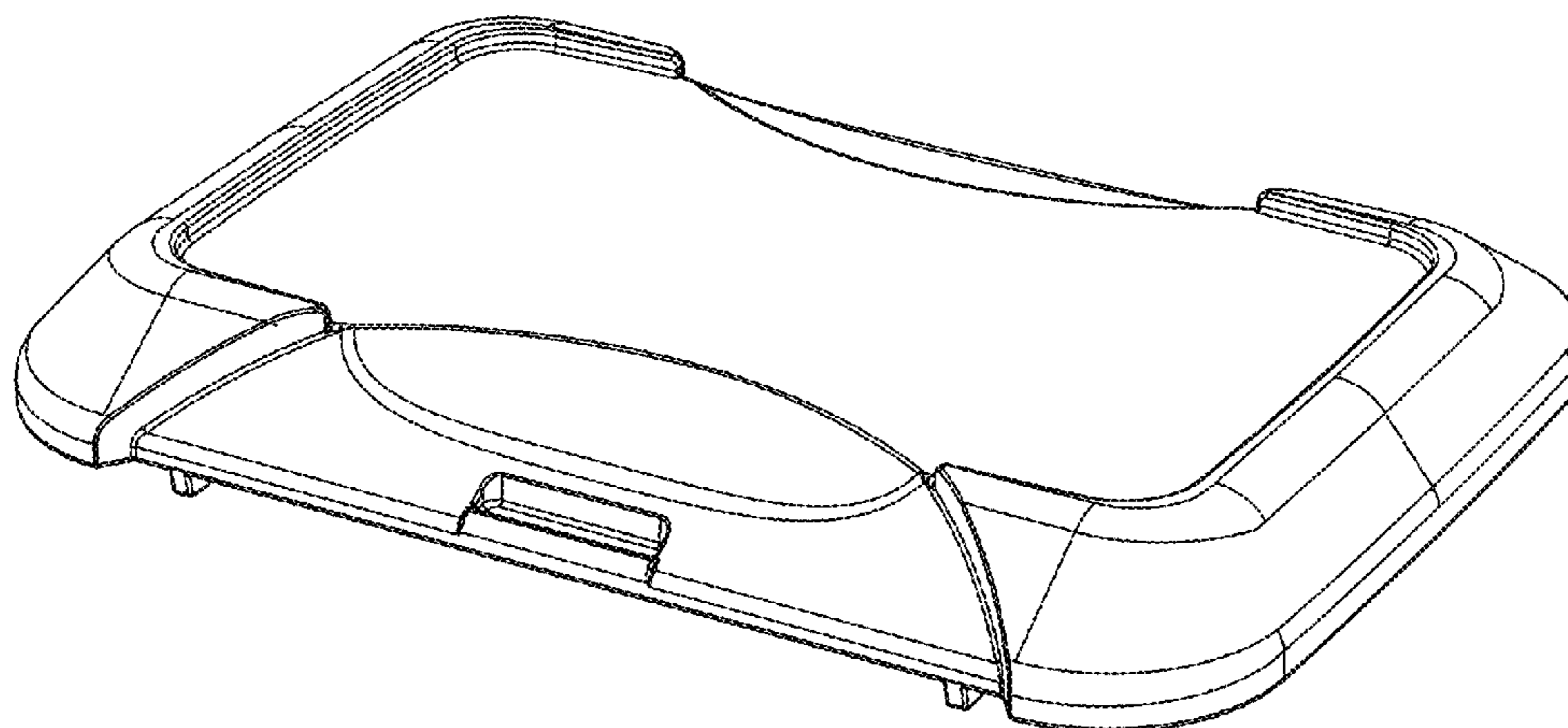
(57) **CLAIM**

The ornamental design for a container lid, as shown and described.

**DESCRIPTION**

FIG. 1 is a top, front perspective view of a container lid showing my new design;  
 FIG. 2 is a bottom, rear perspective view thereof;  
 FIG. 3 is a top plan view thereof;  
 FIG. 4 is a bottom plan view thereof;  
 FIG. 5 is a front elevational view thereof;  
 FIG. 6 is a rear elevational view thereof;  
 FIG. 7 is a left side elevational view thereof; and,  
 FIG. 8 is a right side elevational view thereof.

**1 Claim, 6 Drawing Sheets**



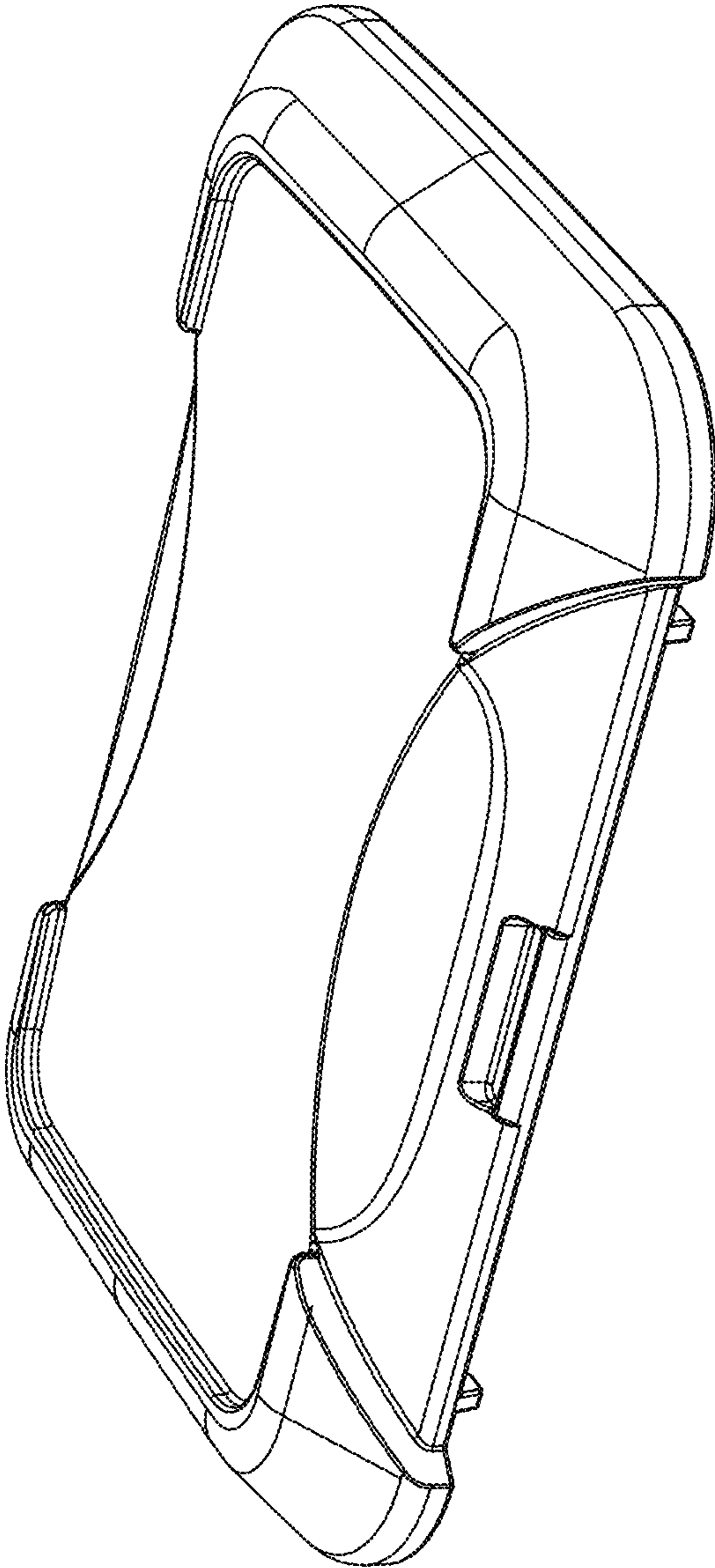


Figure 1

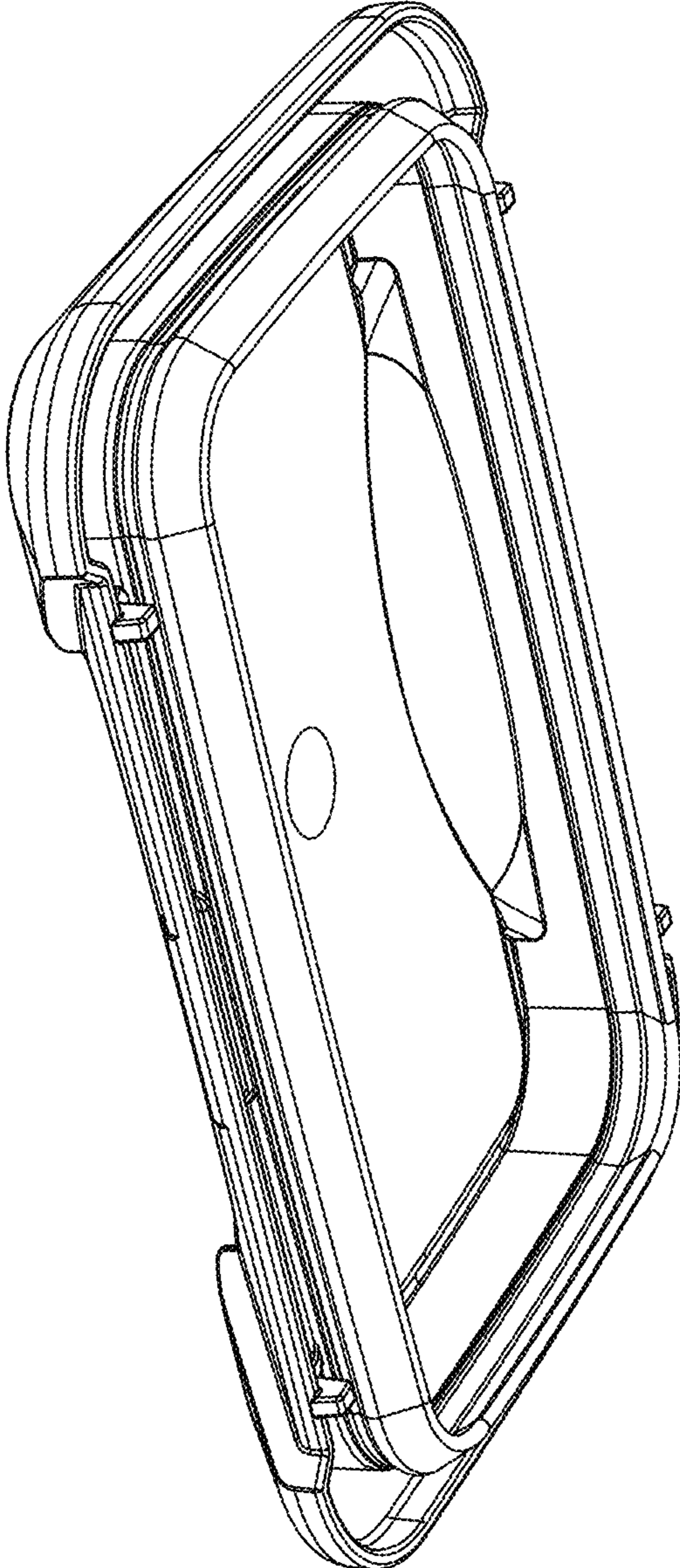


Figure 2

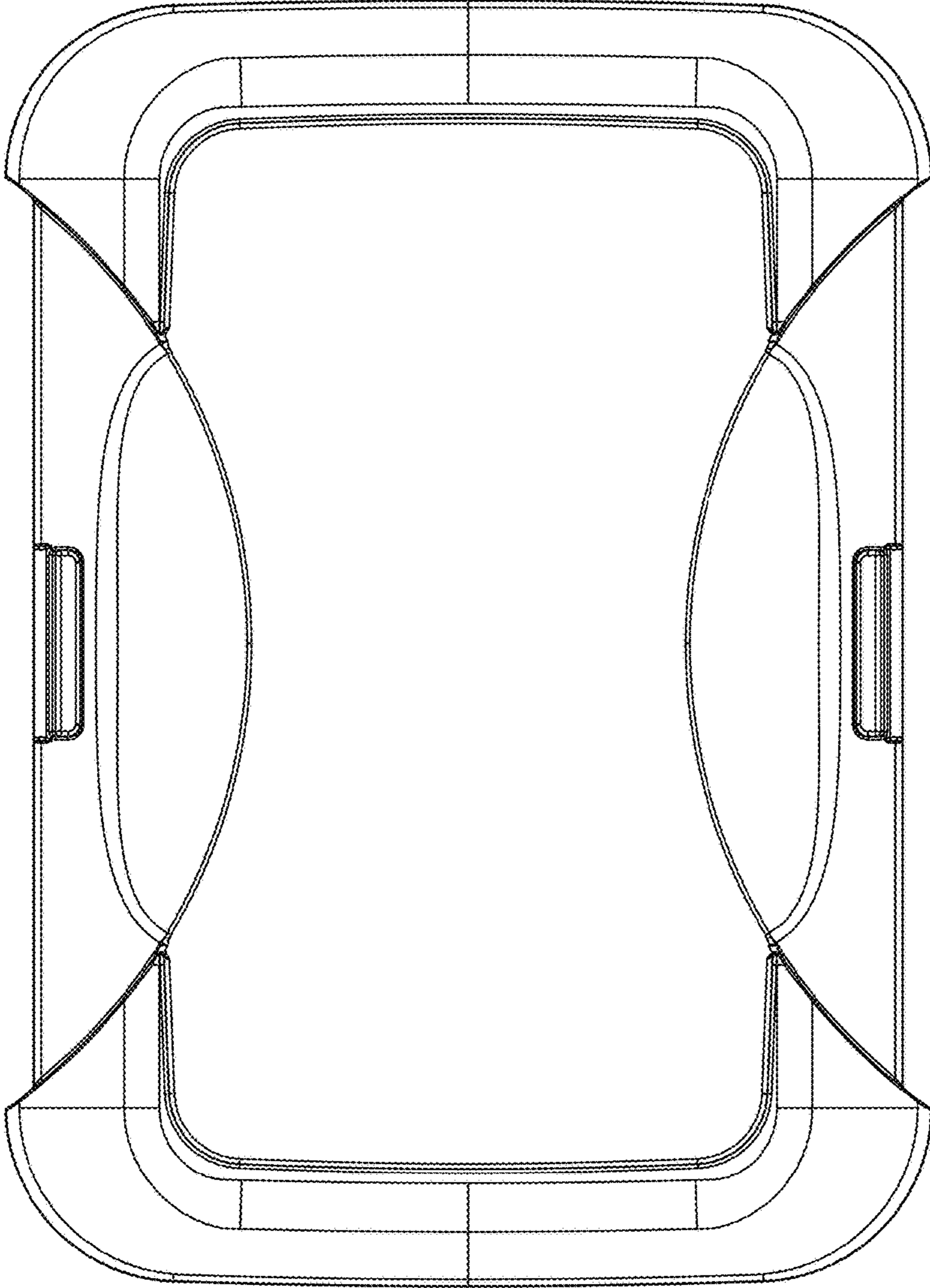


Figure 3

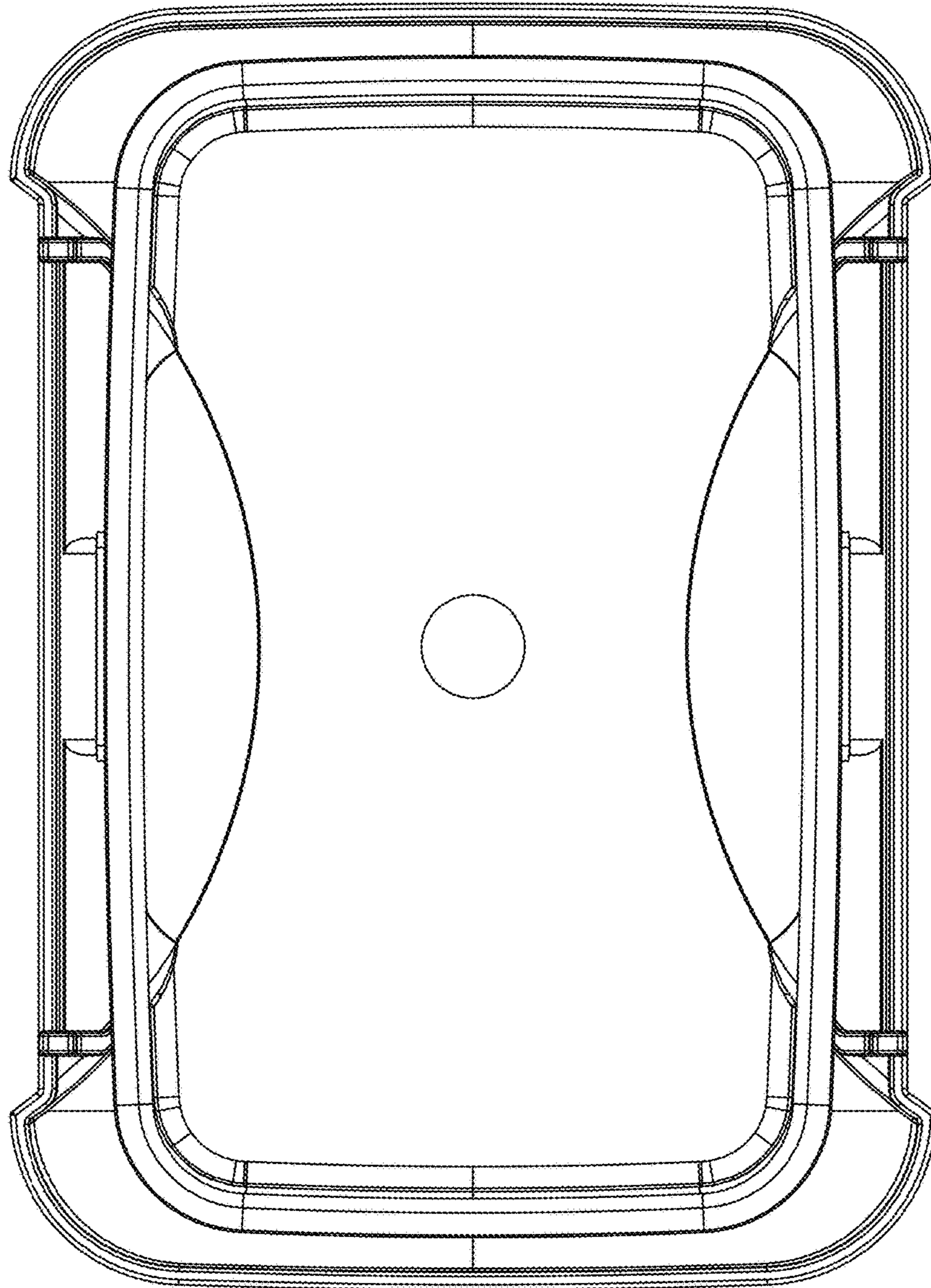


Figure 4

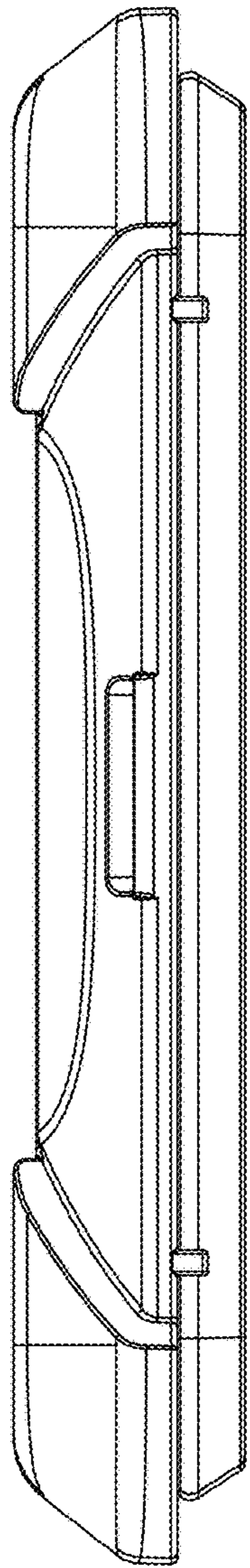


Figure 5

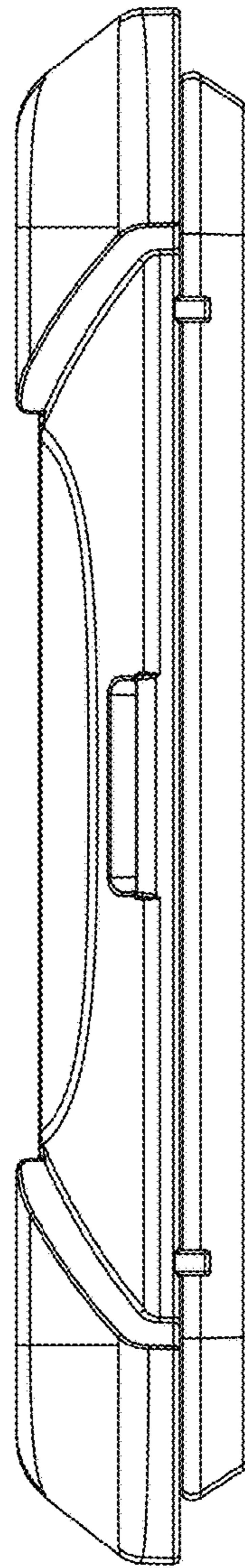
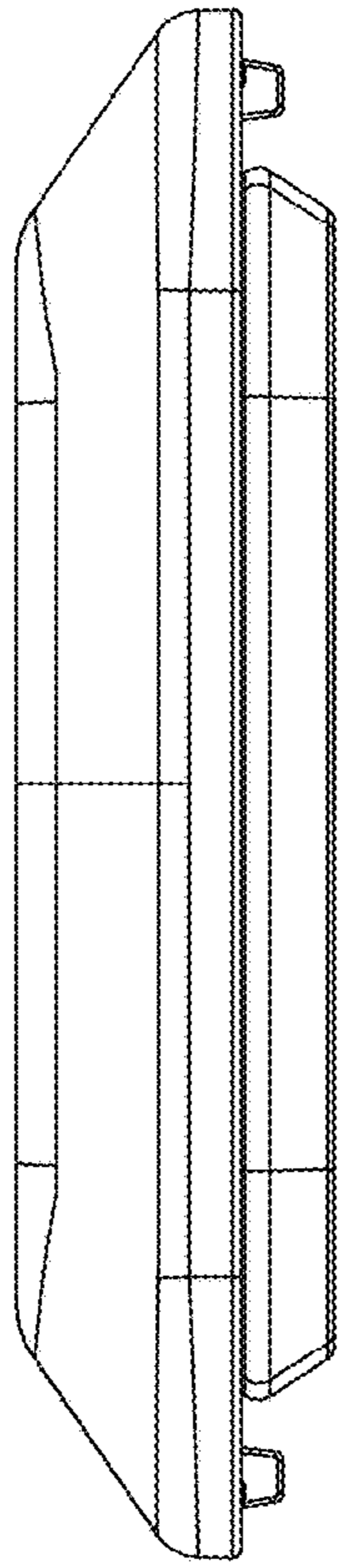
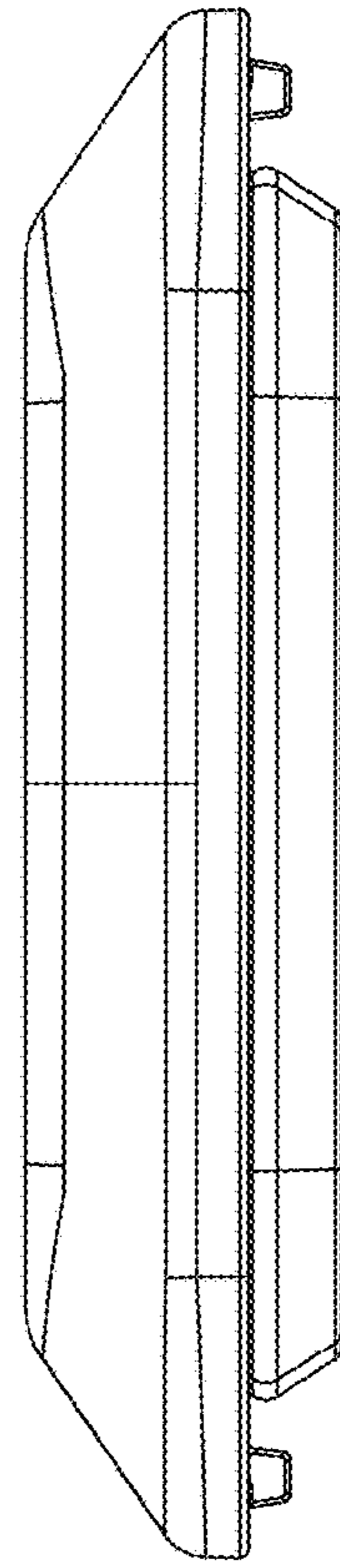


Figure 6



*Figure 7*



*Figure 8*