



US00D837589S

(12) **United States Design Patent**  
**Dalton**

(10) **Patent No.:** **US D837,589 S**  
(45) **Date of Patent:** **\*\* Jan. 8, 2019**

- (54) **BOTTLE WITH CAP**
- (71) Applicant: **Peter David Dalton**, Los Angeles, CA (US)
- (72) Inventor: **Peter David Dalton**, Los Angeles, CA (US)
- (73) Assignee: **Sun Coast Merchandise Corp.**, Commerce, CA (US)

D682,034 S *	5/2013	El-Saden	.....	D7/510
D777,508 S *	1/2017	Goodwin	.....	B65D 47/066
				D7/392.1
D811,162 S *	2/2018	Rane	.....	D7/396.2
D816,398 S *	5/2018	Fleischhut	.....	D7/392.1
D818,317 S *	5/2018	Fu	.....	D7/510
D819,396 S *	6/2018	Seiders	.....	D7/392.1
D820,650 S *	6/2018	Seiders	.....	D7/608
D821,135 S *	6/2018	Rane	.....	D7/391
D828,094 S *	9/2018	Jackson	.....	D7/511
2012/0187075 A1 *	7/2012	El-Saden	.....	B65D 47/066
				215/389
2016/0003615 A1 *	1/2016	Biswas	.....	G01F 23/0076
				702/151

(\*\*) Term: **15 Years**

(21) Appl. No.: **29/611,209**

(22) Filed: **Jul. 19, 2017**

(51) **LOC (11) Cl.** ..... **07-02**

(52) **U.S. Cl.**  
USPC ..... **D7/391**

(58) **Field of Classification Search**  
USPC ..... D7/372, 376-386, 391, 392.1, 396.2,  
D7/412-413, 510-511, 602, 608, 629,  
D7/665-666, 669, 679, 693-694;  
D23/233

CPC .... A21C 1/02; A21C 1/04; A23N 1/00; A23N  
1/02; A47J 43/04; A47J 43/25; A47J  
43/27; A47J 43/042; A47J 43/044; A47J  
43/046; A47J 43/075; A47J 43/0722;  
A47J 43/0727; B01F 3/00; B01F 3/0807;  
B01F 3/0853; B01F 13/0059; B01F  
13/0064; B02C 1/08; B02C 2/04; B02C  
4/42; B02C 4/142; B02C 4/143; B02C  
4/423; B02C 13/1835; B28C 5/10; B28C  
5/12; B28C 5/14; B28C 5/16; B65D  
47/066; G01F 23/0076

See application file for complete search history.

(56) **References Cited**

**U.S. PATENT DOCUMENTS**

D524,909 S *	7/2006	Bakke	.....	D23/233
D651,847 S *	1/2012	Gilbert	.....	G01F 23/0076
				D7/392.1

\* cited by examiner

*Primary Examiner* — Ricky Pham

(74) *Attorney, Agent, or Firm* — Steven E. Shapiro

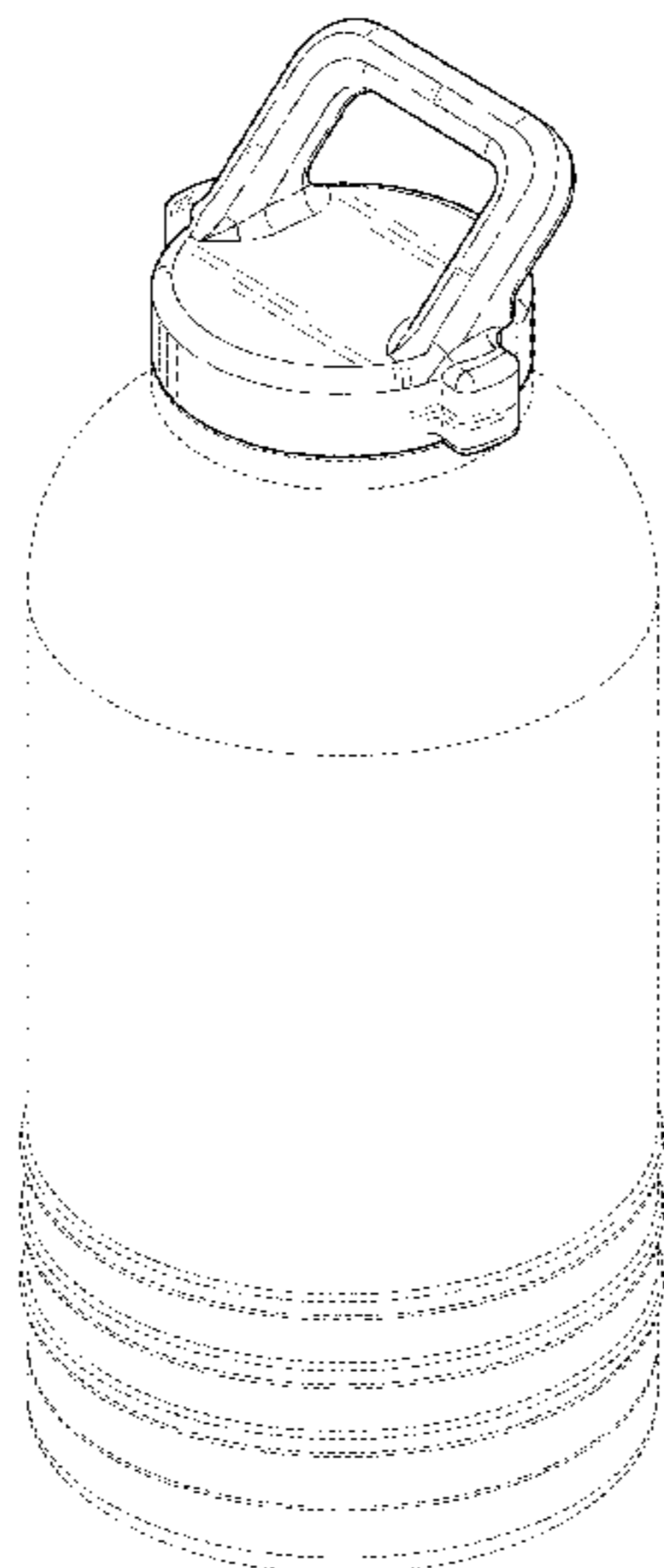
(57) **CLAIM**

The ornamental design for a bottle with cap, as shown and described.

**DESCRIPTION**

FIG. 1 is a top perspective view of a bottle with cap;  
 FIG. 2 is a bottom perspective view of a bottle with cap;  
 FIG. 3 is a front view of the bottle with cap;  
 FIG. 4 is a rear view of the bottle with cap;  
 FIG. 5 is a left side view of the bottle with cap;  
 FIG. 6 is a right side view of the bottle with cap;  
 FIG. 7 is a top view of the bottle with cap; and,  
 FIG. 8 is a bottom view of the bottle with cap.  
 The broken lines represent portions of the bottle with cap that form no part of the claimed design.

**1 Claim, 8 Drawing Sheets**



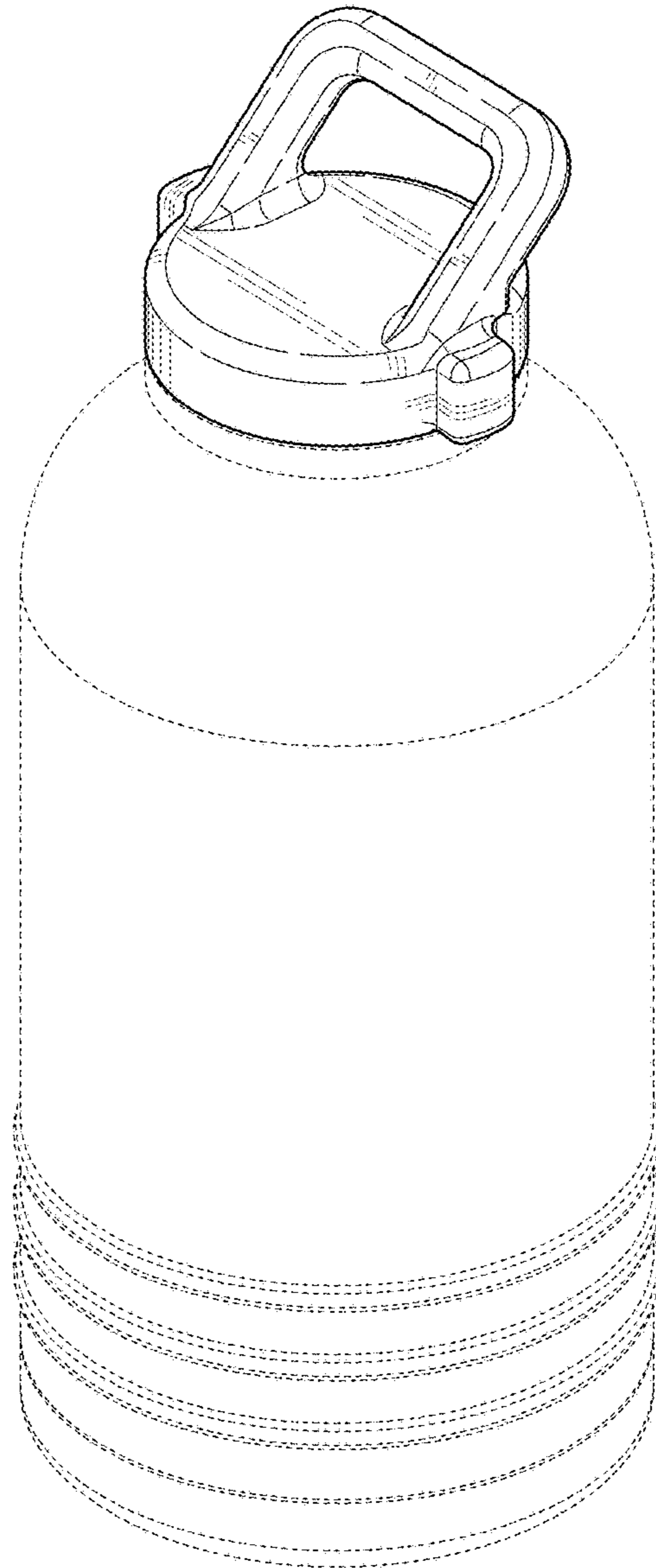


FIG. 1

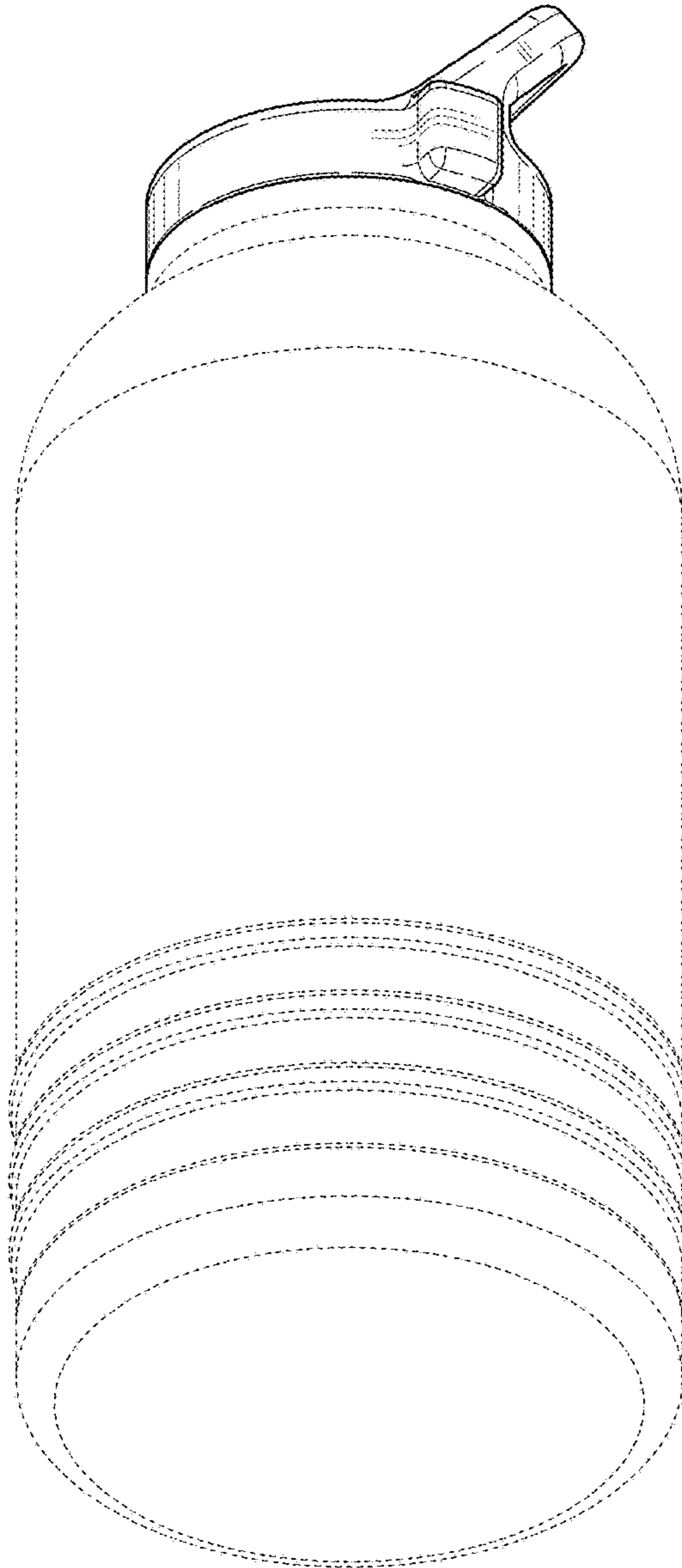


FIG. 2

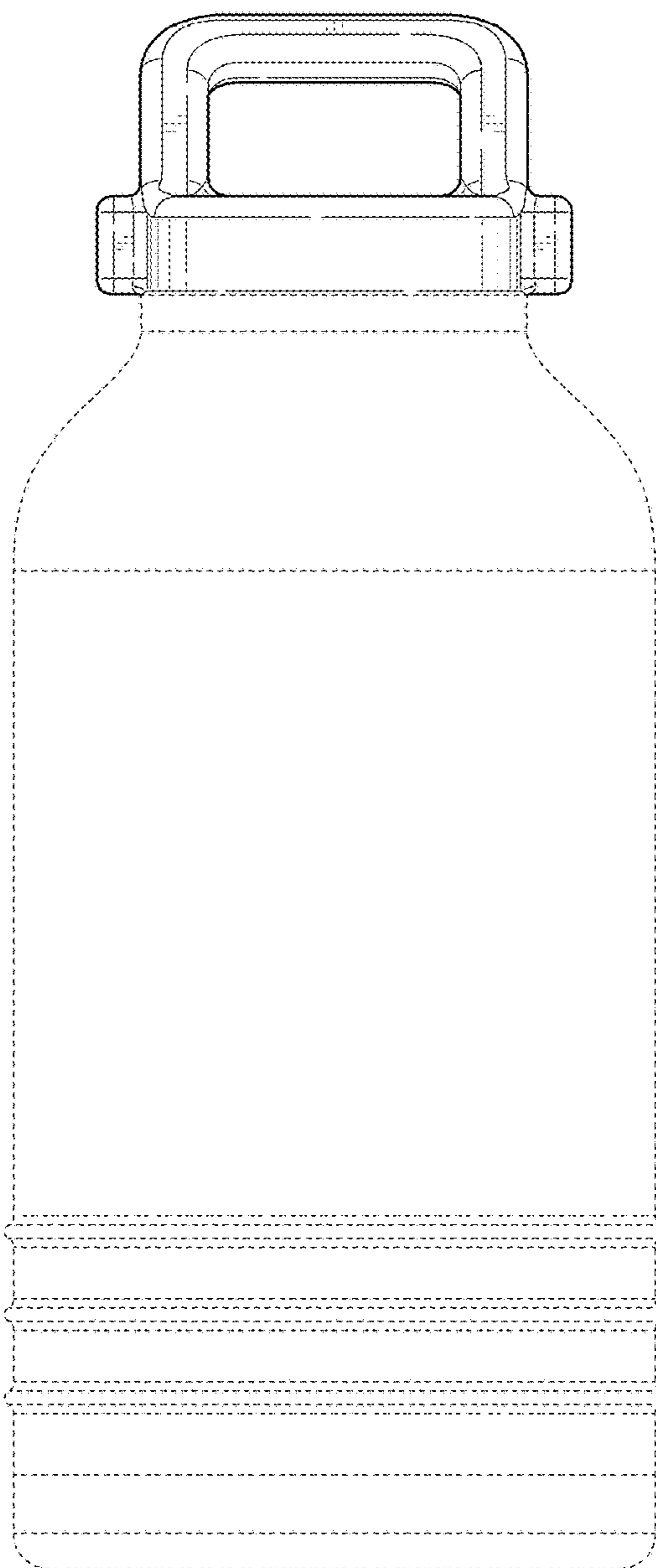


FIG. 3

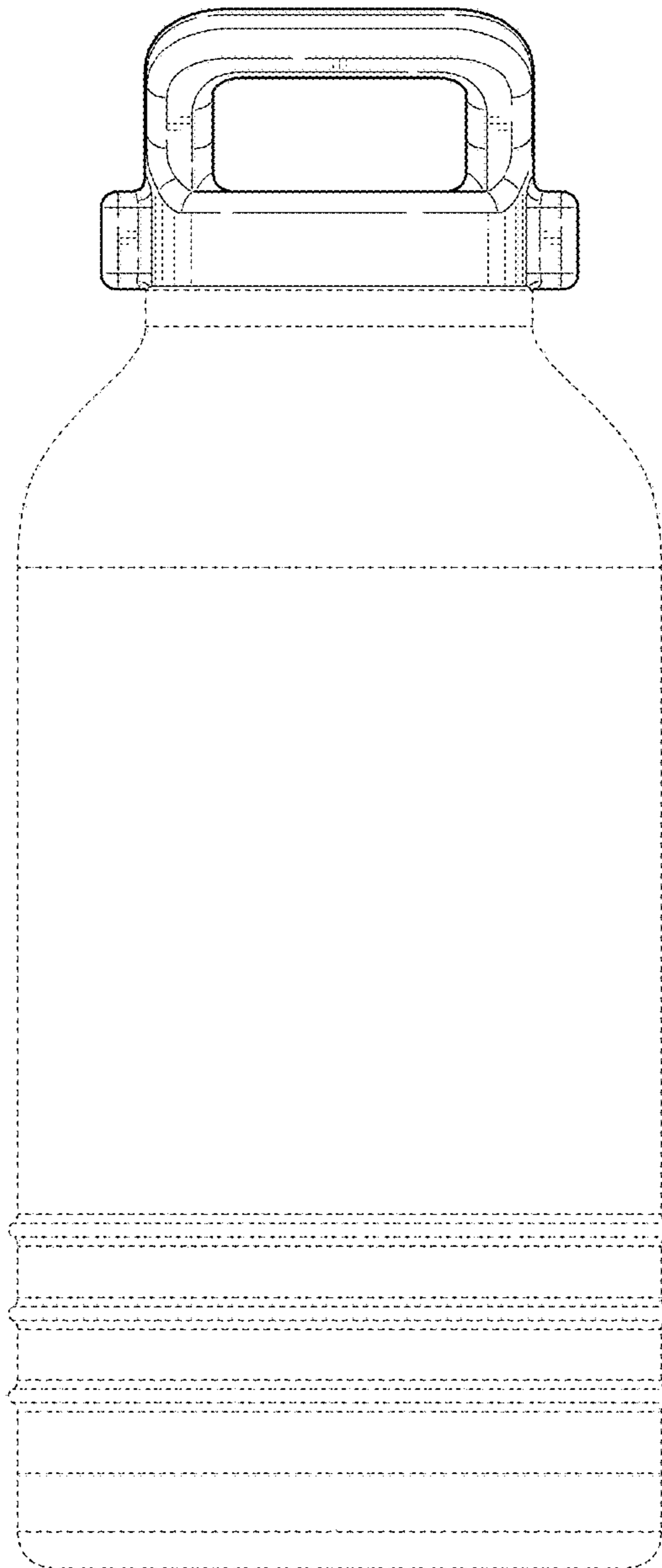


FIG. 4

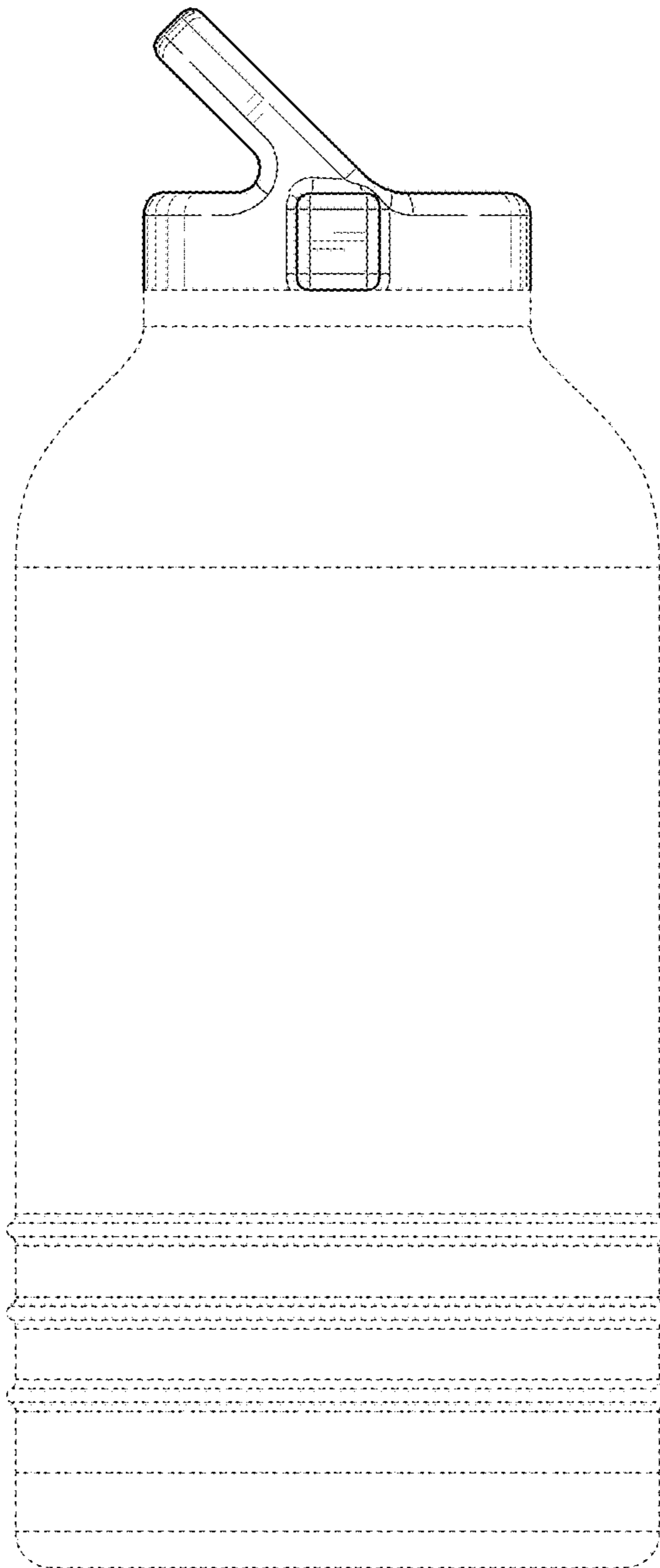


FIG. 5

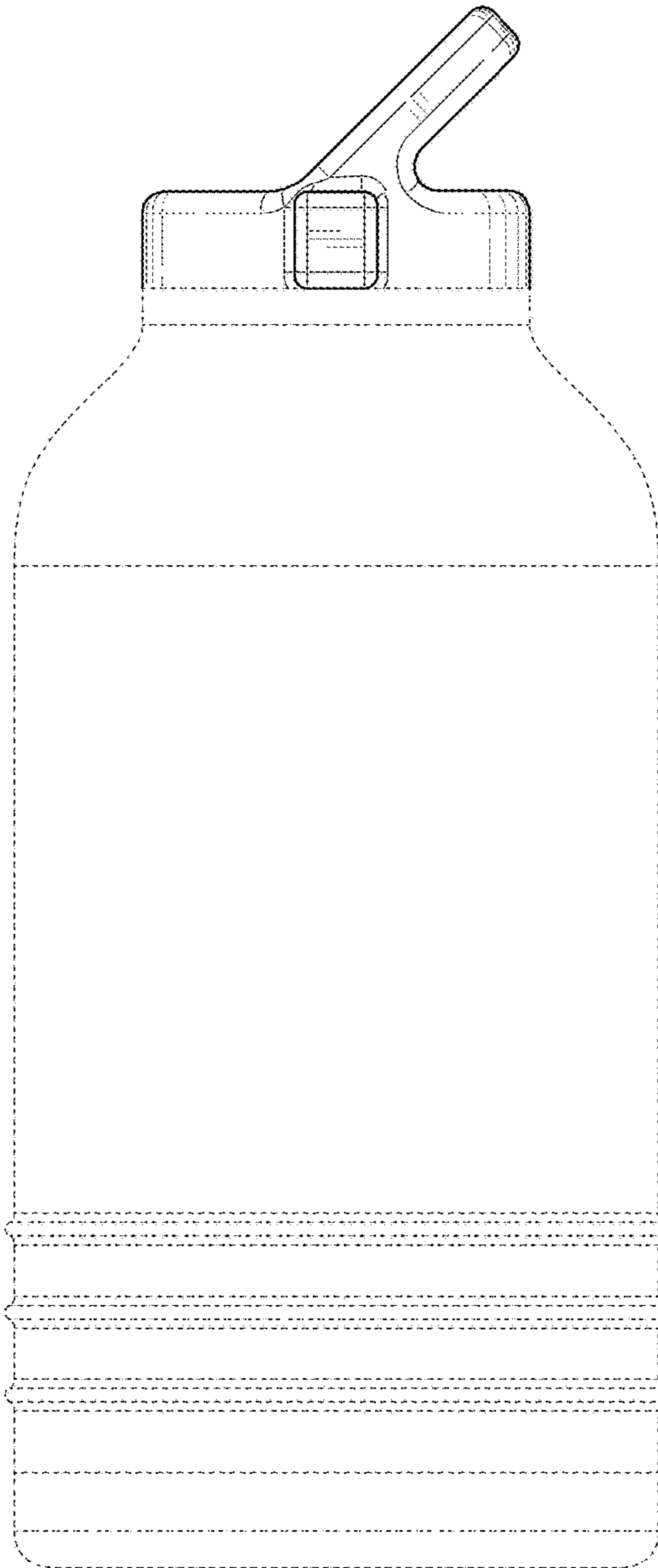


FIG. 6

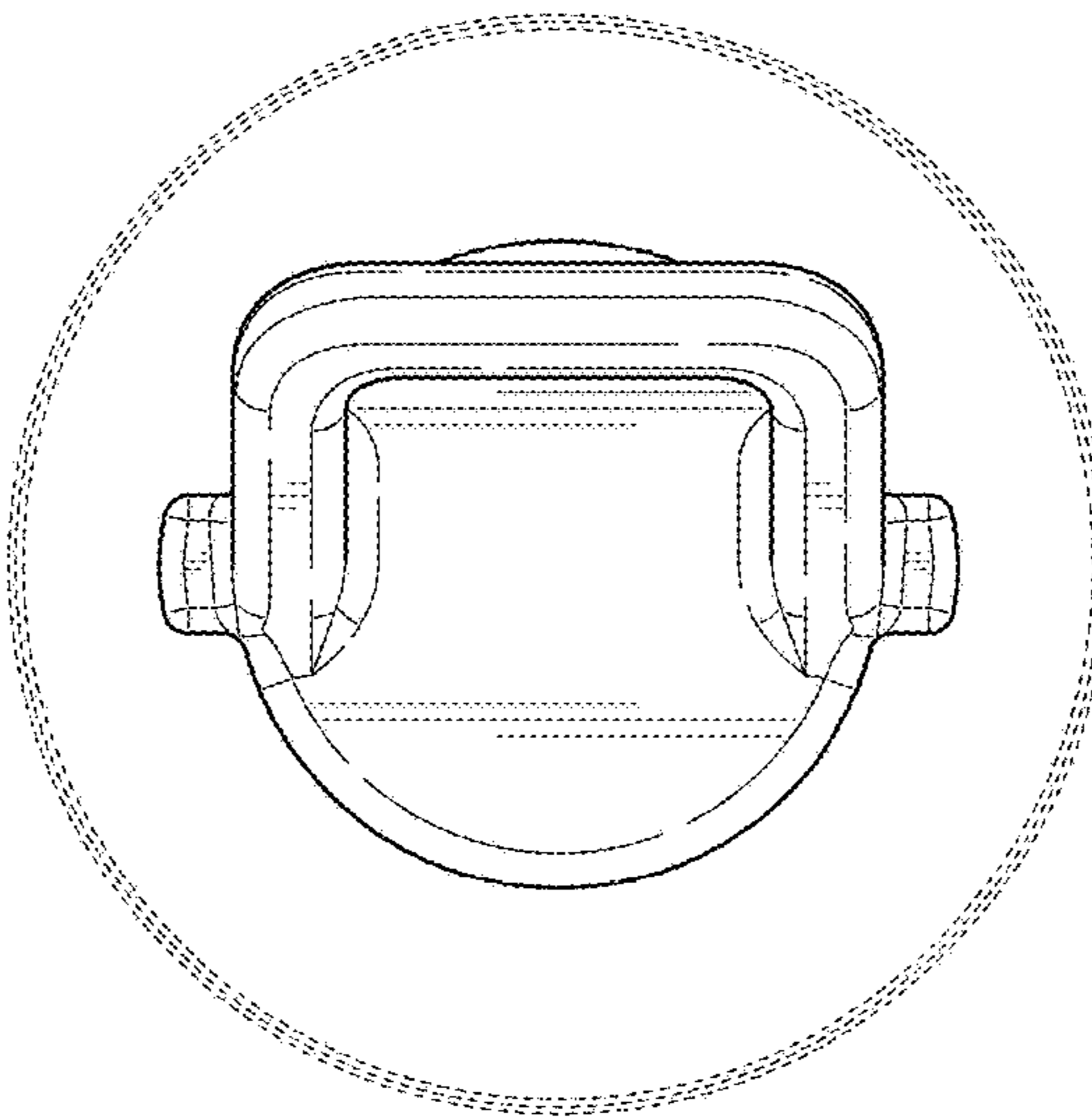


FIG. 7



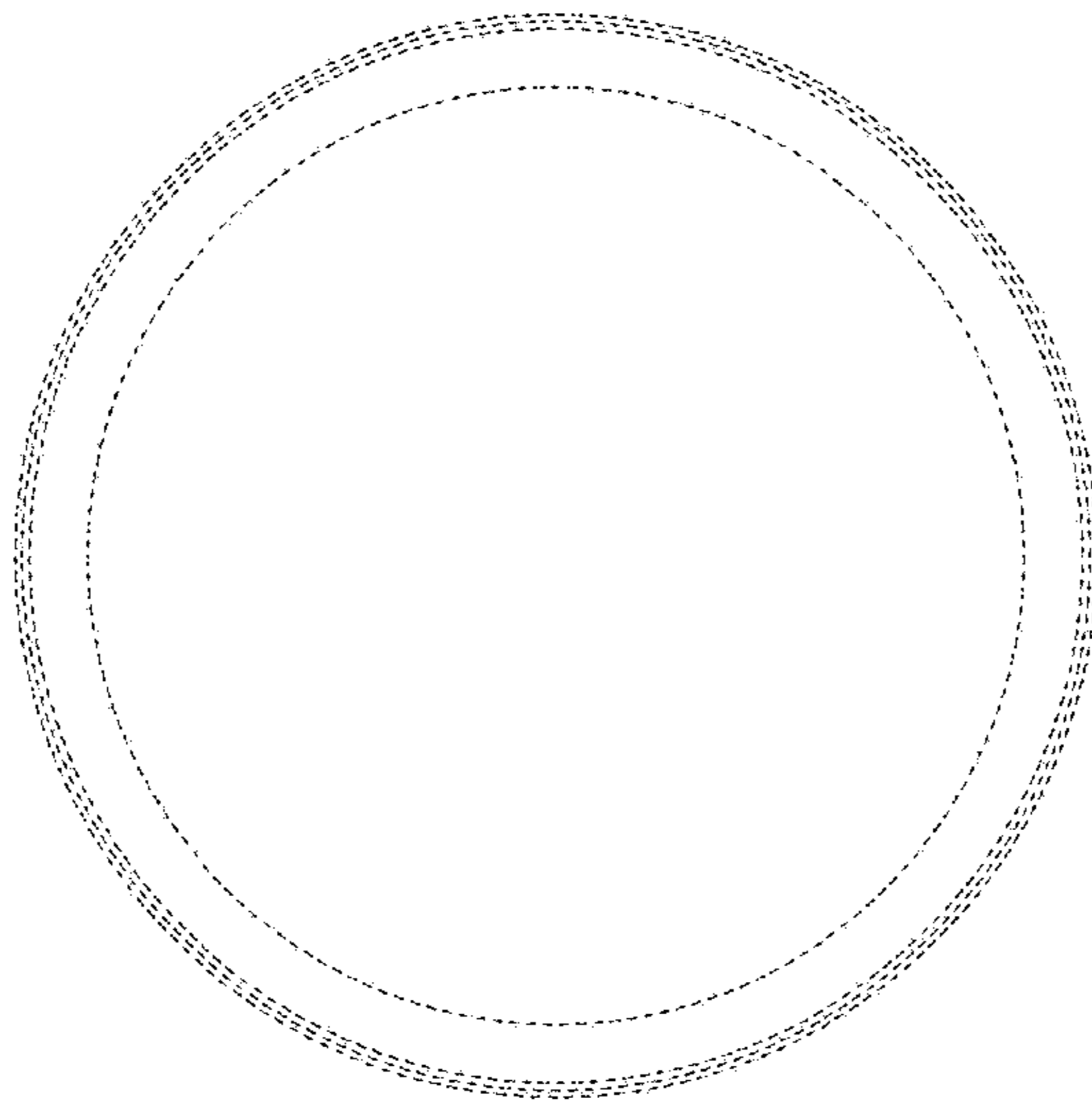


FIG. 8