



US00D837588S

(12) **United States Design Patent** (10) **Patent No.:** **US D837,588 S**
Croft et al. (45) **Date of Patent:** **** *Jan. 8, 2019**

(54) **LID FOR CONTAINER**

37/10; A47J 37/101; A47J 37/103; A47J
37/1204; A47J 37/0704; A47J 29/00;
A47J 29/02; A47J

(71) Applicant: **RUBBERMAID INCORPORATED**,
Huntersville, NC (US)

(Continued)

(72) Inventors: **William F. Croft**, Mooresville, NC
(US); **Evan Allen Fulford**, Portage, MI
(US); **William Hart**, Cornelius, NC
(US); **Gianna Lint**, Cornelius, NC (US)

(56)

References Cited

U.S. PATENT DOCUMENTS

D115,160 S 6/1939 Stopa
D215,958 S 11/1969 Morse

(Continued)

(73) Assignee: **RUBBERMAID INCORPORATED**,
Huntersville, NC (US)

OTHER PUBLICATIONS

(*) Notice: This patent is subject to a terminal dis-
claimer.

Rubbermaide Brilliance Food Storage Container: Announced Jan. 2,
2017 [online]. Site Visited Jan. 7, 2018. Available from URL:
https://www.amazon.com/Rubbermaid-Brilliance-Storage-Container-Leak-Proof/product-reviews/B01JCNEJHU/ref=cm_cr_ar_p_d_paging_btm_6?ie=UTF8&reviewerType=all_reviews&pageNumber=6.*

(Continued)

(**) Term: **15 Years**

Primary Examiner — Jennifer Rivard

Assistant Examiner — Catherine S Posthauer

(21) Appl. No.: **29/556,998**

(22) Filed: **Mar. 4, 2016**

(51) **LOC (11) Cl.** **07-99**

(52) **U.S. Cl.**
USPC **D7/391**

(57)

CLAIM

The ornamental design for a lid for container, as shown and
described.

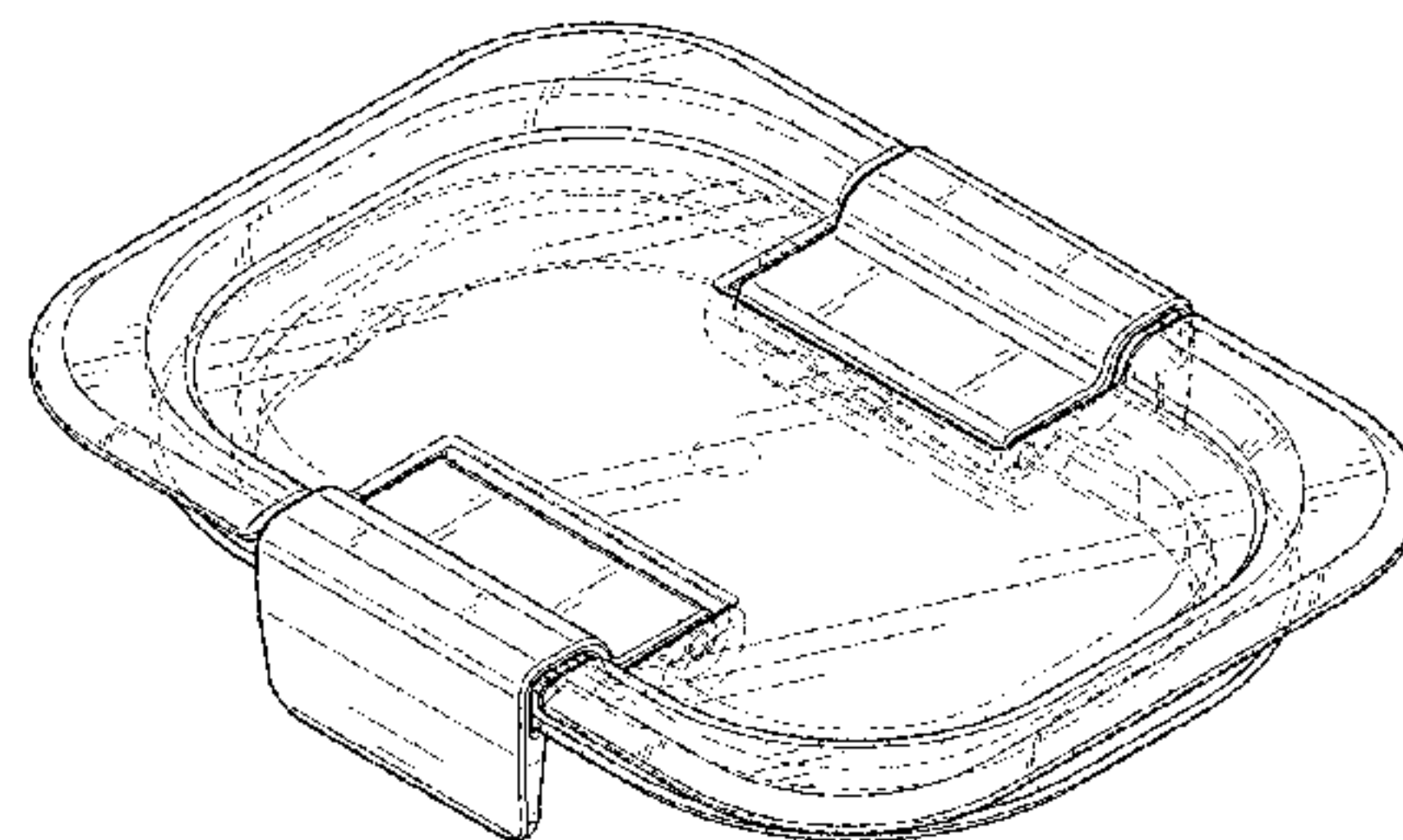
(58) **Field of Classification Search**

DESCRIPTION

USPC D3/272, 273, 304, 309-315, 318, 901;
D6/315, 512, 515-525, 536, 567, 672,
D6/673, 675, 675.1, 704; D7/387, 391,
D7/396.1, 538, 542, 601, 602, 612, 703;
D9/414, 418, 420-424, 427, 430, 432,
D9/434, 435, 455, 456, 517, 737, 740,
D9/741, 742, 745, 755, 759, 761;
D12/406, 411, 419, 425, 426; D19/1, 27,
D19/102, 103; D24/127, 128, 216, 224,
D24/227-230; D32/55, 58
CPC B65D 11/02; B65D 11/18; B65D 85/30;
B65D 85/32; B65D 1/243; B65D 43/02;
B65D 43/0212; B65D 43/0256; B65D
2543/00194; B65D 2543/00296; B65D
2543/0074; B65D 2543/00842; B65B
1/04; A47G 19/12; A47J 27/00; A47J
27/002; A47J 27/004; A47J 27/08; A47J
27/21; A47J 27/58; A47J 37/00; A47J

FIG. 1 is a top perspective view of a lid for container;
FIG. 2 is a front view of a lid for container illustrated in FIG.
1;
FIG. 3 is a rear view of a lid for container illustrated in FIG.
1;
FIG. 4 is a right side view of a lid for container illustrated
in FIG. **1**;
FIG. 5 is a left side view of a lid for container illustrated in
FIG. **1**;
FIG. 6 is a top view of a lid for container illustrated in FIG.
1; and,
FIG. 7 is a bottom view of a lid for container illustrated in
FIG. **1**.

(Continued)



The broken lines are shown for the purpose of illustrating parts of the article that form no part of the claim.

1 Claim, 5 Drawing Sheets

(58) **Field of Classification Search**

CPC 29/04; A47J 29/06; A47J 36/025; H05B 6/06; H05B 6/12; A01K 4/02; A01K 4/026; A01K 4/04; A23B 6/00; A23B 6/005; A23B 6/0052; F26B 25/18; A47B 73/00

See application file for complete search history.

(56) **References Cited**

U.S. PATENT DOCUMENTS

3,817,419	A	6/1974	Moller et al.	
D246,289	S	11/1977	Boucher	
D248,621	S	7/1978	Hay et al.	
D288,395	S	2/1987	Ritman	
5,641,065	A	6/1997	Owens et al.	
D418,749	S	1/2000	Chang	
6,305,546	B1	10/2001	Saunders et al.	
6,364,152	B1	4/2002	Poslinski et al.	
D479,673	S	9/2003	Kim	
D483,622	S	12/2003	Kim	
D484,367	S	12/2003	Kim	
D495,249	S *	8/2004	Martinson	D9/418
6,779,681	B2	8/2004	Doerfler et al.	
6,789,692	B2	9/2004	Prezelin	
6,793,096	B1	9/2004	Seok	
D500,227	S	12/2004	Seok	
D505,840	S	6/2005	Schultz et al.	
D514,811	S *	2/2006	Koo	D3/323
D517,311	S	3/2006	Kim	
7,090,089	B2	8/2006	Lown et al.	
D540,624	S	4/2007	Wasserman et al.	
D544,762	S	6/2007	Zimmerman	
D553,444	S	10/2007	de Groote et al.	
D562,083	S	2/2008	Lown et al.	
D566,484	S	4/2008	George	
D569,243	S	5/2008	Kidd et al.	
D593,369	S	6/2009	Green et al.	
D598,740	S	8/2009	Auer et al.	
D615,821	S	5/2010	Stamper	
D642,868	S	8/2011	Shah	
D644,068	S	8/2011	Usrey	
D651,477	S	1/2012	Nie	
D653,915	S	2/2012	George	
D660,092	S	5/2012	Kyung	
D660,095	S	5/2012	Kyung	
D673,807	S *	1/2013	Grider	D7/391
D682,052	S	5/2013	Thomas	
8,534,492	B2	9/2013	Smyers et al.	
D692,281	S	10/2013	George	
D696,075	S	12/2013	Mashike	
D697,760	S	1/2014	Uchida	
D697,761	S	1/2014	Uchida	

D697,764	S	1/2014	Carlson	
D698,609	S	2/2014	Duvigneau	
D700,480	S	3/2014	Yessin et al.	
8,662,334	B2	3/2014	Turvey et al.	
8,678,230	B2	3/2014	Smyers	
8,733,550	B2	5/2014	Harvey et al.	
D708,015	S	7/2014	Carlson	
D708,913	S	7/2014	Ng	
D717,119	S	11/2014	Carlson	
D722,832	S	2/2015	Ra	
D730,699	S	6/2015	Mok	
D733,503	S	7/2015	Bagley	
D736,569	S	8/2015	Bronwasser et al.	
D738,623	S *	9/2015	Wood	D3/302
D743,751	S	11/2015	Stokke et al.	
D751,349	S	3/2016	Carlson	
D753,446	S	4/2016	Hwang	
D758,805	S	6/2016	Myoung	
D763,629	S	8/2016	Swartz et al.	
D777,530	S	1/2017	Marret	
D780,534	S	3/2017	Oliver	
9,643,757	B2 *	5/2017	Smyers	B65D 43/02
D796,266	S *	9/2017	Croft	D7/538
D803,631	S *	11/2017	Min	D7/605
9,850,042	B2 *	12/2017	Smyers	B65D 43/02
2002/0148846	A1	10/2002	Luburic	
2004/0084464	A1 *	5/2004	Koo	B65D 43/0218 220/784
2004/0232026	A1	11/2004	Goeking et al.	
2005/0006390	A1	1/2005	Wang	
2005/0035125	A1	2/2005	Bag	
2006/0027588	A1	2/2006	Mackovic-Basic et al.	
2011/0174819	A1 *	7/2011	Murphy	B65D 43/0254 220/270
2012/0267369	A1	10/2012	Duvigneau	
2013/0233854	A1 *	9/2013	Smyers	B65D 53/00 220/240
2013/0234406	A1 *	9/2013	Harvey	B65D 53/02 277/645
2013/0320015	A1 *	12/2013	Dyble	B65D 43/0266 220/276
2013/0341327	A1 *	12/2013	Bontrager	B65D 43/0252 220/214
2014/0042167	A1 *	2/2014	Lindsay	A47J 36/10 220/361
2014/0103033	A1	4/2014	Beckman	
2014/0138376	A1 *	5/2014	Cheung	H05B 6/6408 219/735
2014/0224799	A1 *	8/2014	Iwasaki	A45C 11/20 220/254.4
2016/0236837	A1 *	8/2016	Malcolm	B65B 51/10
2016/0332785	A1	11/2016	Sexton et al.	

OTHER PUBLICATIONS

Pyrex No Leak Lid Rectangular Storage Container. Advertisement [online]. Sears Holding Corporation, 2016 [retrieved on Apr. 27, 2016]. Retrieved from the Internet: <URL: <http://www.sears.com/pyrex-no-leak-lid-rectangular-storage-container/p-00860355000P>>.

* cited by examiner

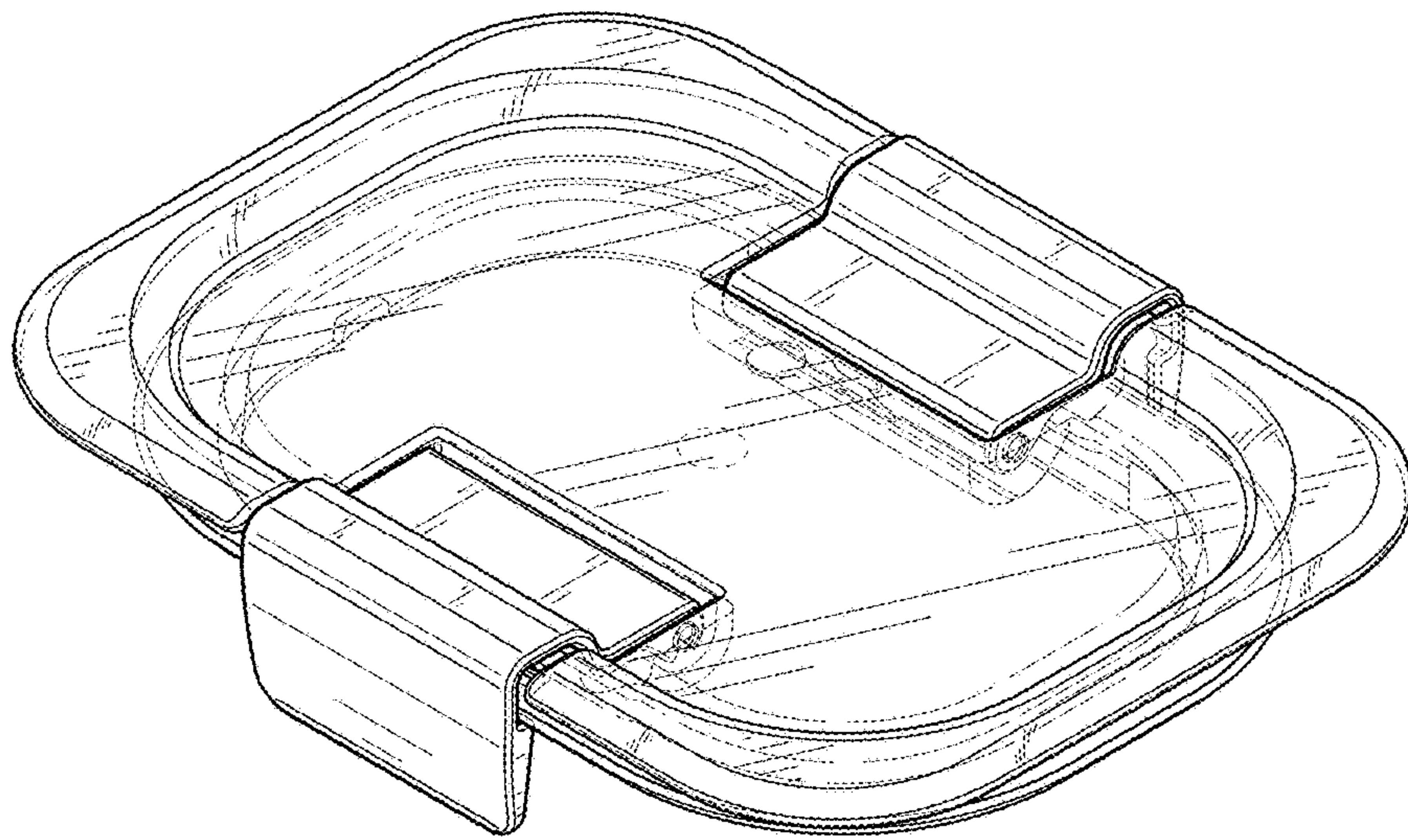


FIG. 1

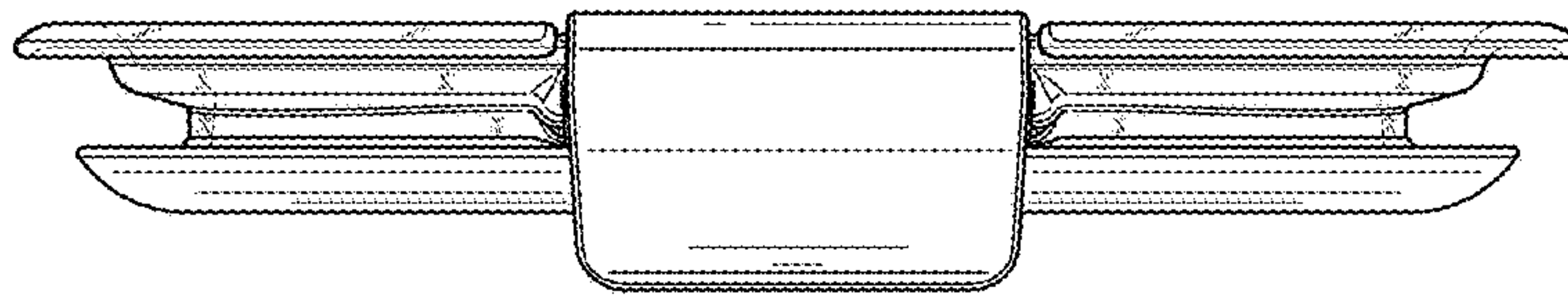


FIG. 2

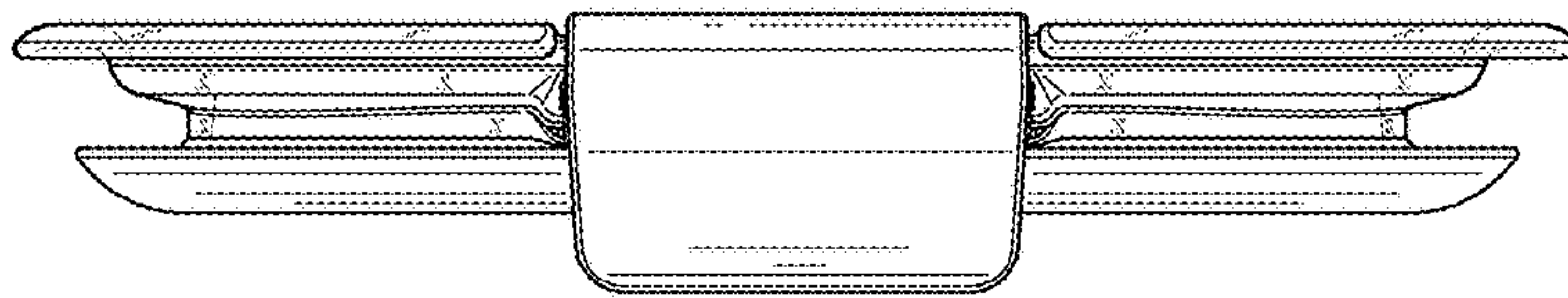


FIG. 3

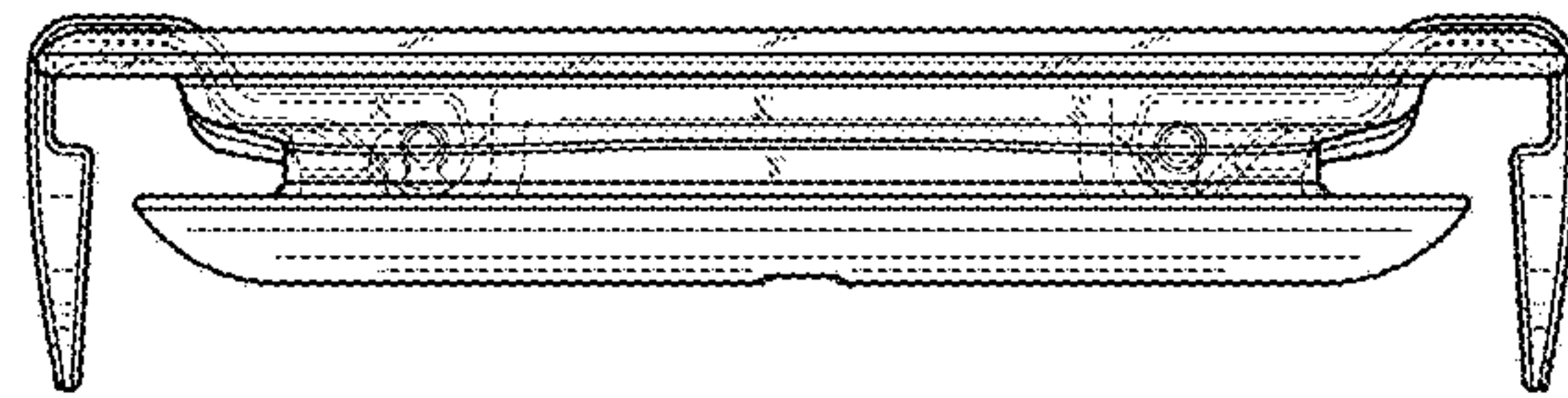


FIG. 4

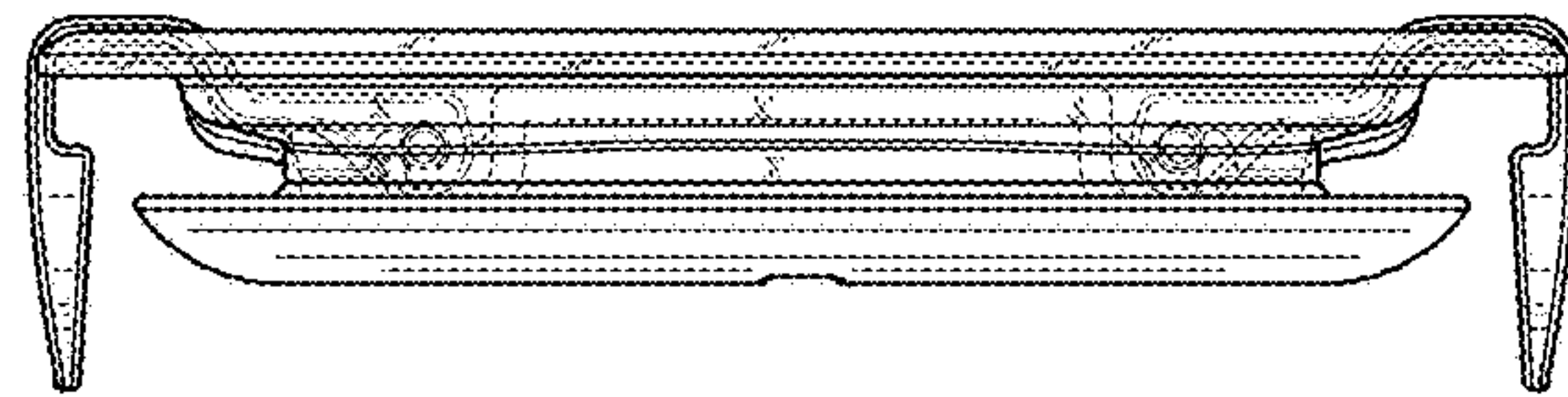


FIG. 5

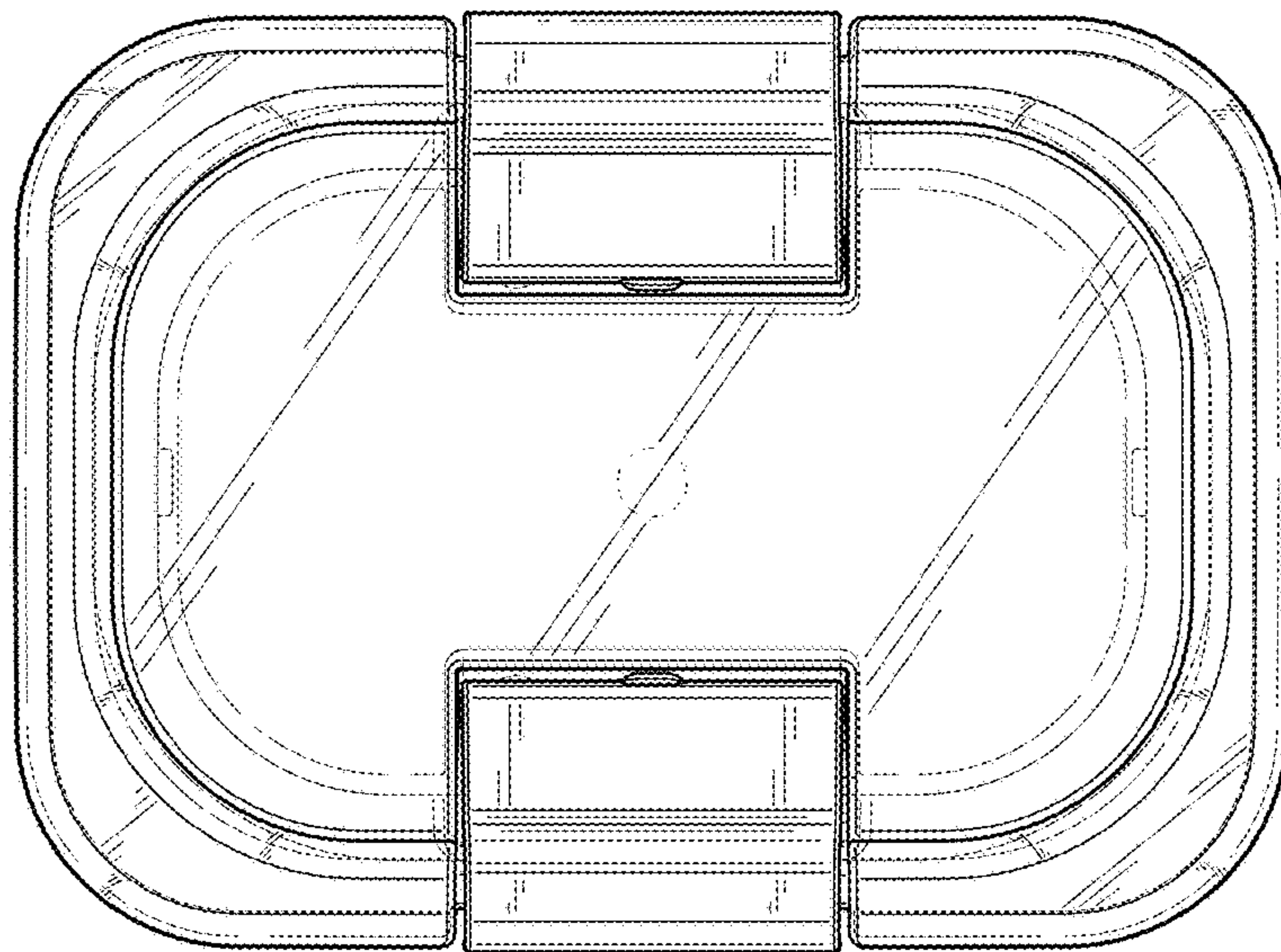


FIG. 6

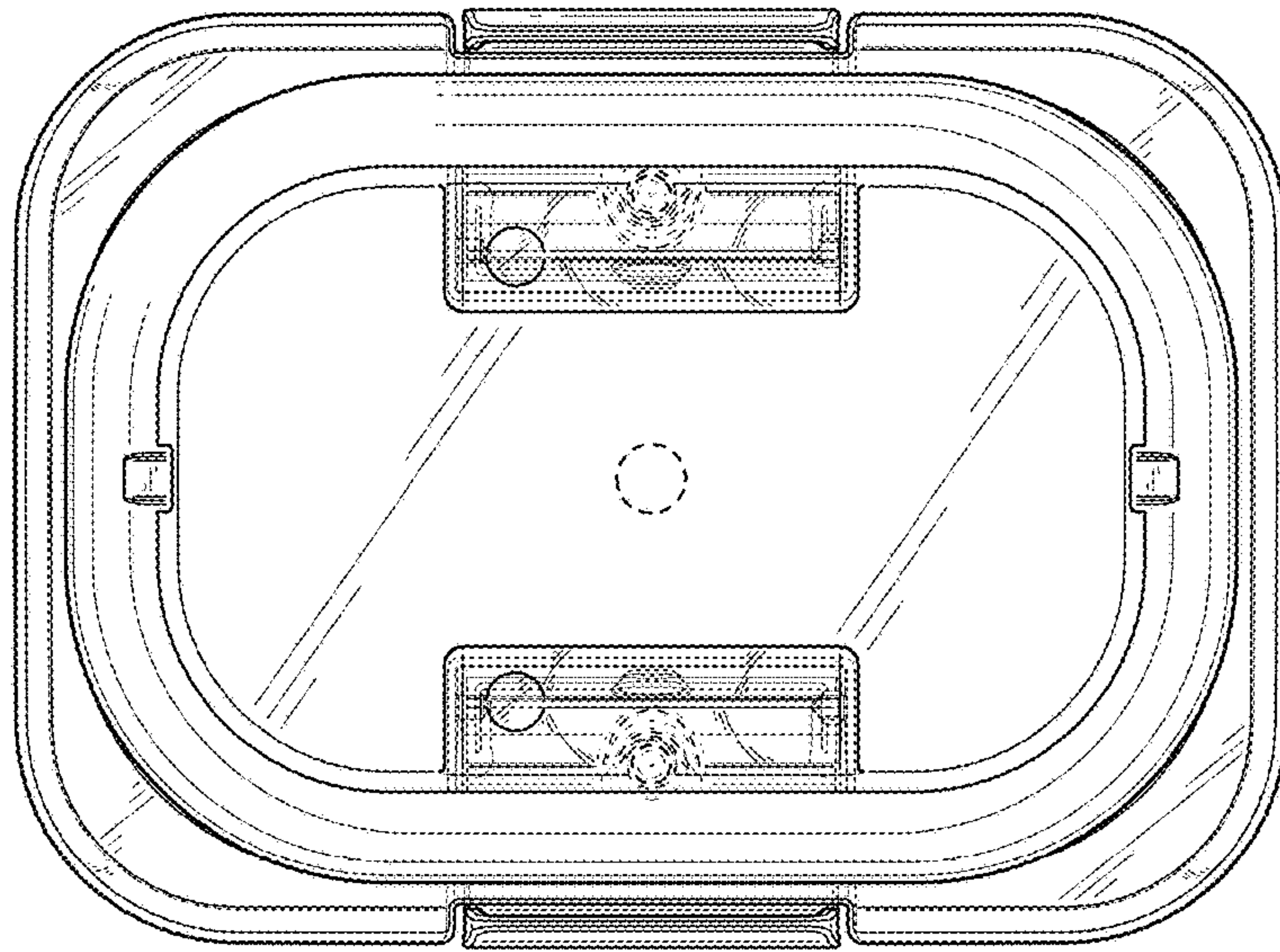


FIG. 7