



US00D837587S

(12) **United States Design Patent**  
**Villalovos et al.**

(10) **Patent No.:** **US D837,587 S**  
(45) **Date of Patent:** **\*\* Jan. 8, 2019**

(54) **POUR OVER COFFEE DRIPPER STAND**

(74) *Attorney, Agent, or Firm* — Nixon Peabody LLP

(71) Applicant: **Opus Macaw, LLC**, San Francisco, CA (US)

(57) **CLAIM**

The ornamental design for a pour over coffee dripper stand, as shown and described.

(72) Inventors: **Keith Manuel Villalovos**, San Francisco, CA (US); **Daniel Villalovos**, Wofford Heights, CA (US)

**DESCRIPTION**

(73) Assignee: **OPUS MACAW, LLC**, San Francisco, CA (US)

FIG. 1 is a top isometric view of a first embodiment of a pour over coffee dripper stand showing our new design; FIG. 2 is a bottom isometric view thereof; FIG. 3 is a right side elevation view thereof, a left side elevation view being a mirror image; FIG. 4 is a front elevation view thereof, a rear elevation view being a mirror image;

(\*\*) Term: **15 Years**

(21) Appl. No.: **29/569,855**

(22) Filed: **Jun. 30, 2016**

(51) **LOC (11) Cl.** ..... **07-99**

(52) **U.S. Cl.**  
USPC ..... **D7/388; D7/300**

(58) **Field of Classification Search**  
USPC ..... D7/300, 309, 311, 312, 315, 505, 509, D7/601, 602, 619.1, 701

(Continued)

(56) **References Cited**

**U.S. PATENT DOCUMENTS**

D250,348 S \* 11/1978 Frangiosa ..... D24/230  
D257,390 S \* 10/1980 Hahn ..... D24/230

(Continued)

**OTHER PUBLICATIONS**

OpusMacaw Pour Over Coffee Dripper Standl posted at Etsy.com, review posted on Jun. 2, 2015, © [online], [site visited Dec. 2, 2017]. Available from Internet, <URL: [https://www.etsy.com/listing/226034199/pour-over-coffee-dripper-stand?ref=shop\\_review](https://www.etsy.com/listing/226034199/pour-over-coffee-dripper-stand?ref=shop_review)> (Year: 2015).\*

(Continued)

*Primary Examiner* — Daniel D Bui  
*Assistant Examiner* — Andrew Kerr

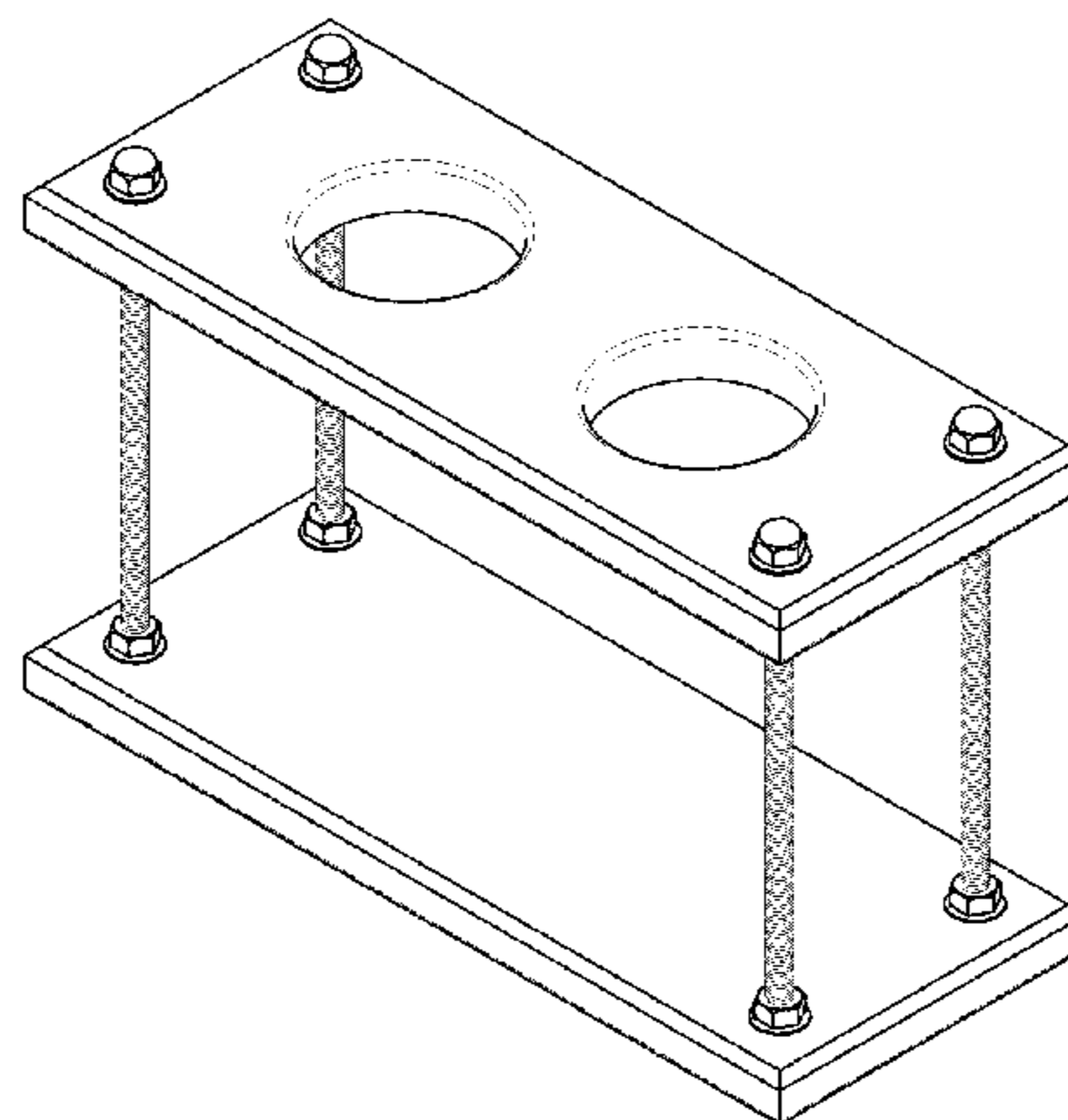
FIG. 5 is a top plan view thereof; FIG. 6 is a bottom plan view thereof; FIG. 7 is a top isometric view of a second embodiment of a pour over coffee dripper stand showing our new design; FIG. 8 is a bottom isometric view thereof; FIG. 9 is a right side elevation view thereof, a left side elevation view being a mirror image; FIG. 10 is a front elevation view thereof, a rear elevation view being a mirror image; FIG. 11 is a top plan view thereof; FIG. 12 is a bottom plan view thereof;

FIG. 13 is a top isometric view of a third embodiment of a pour over coffee dripper stand showing our new design; FIG. 14 is a bottom isometric view thereof; FIG. 15 is a top plan view thereof; FIG. 16 is right side elevation view thereof, a left side elevation view being a mirror image; FIG. 17 is front elevation view thereof, a rear elevation view being a mirror image; and, FIG. 18 is a bottom plan view thereof.

The pair of dash-dot broken lines in FIGS 7-18 drawing view are symbolic break lines that represent undetermined length. The space in between the pair of dash-dot broken lines represent unclaimed subject matter and form no part of the claimed invention.

The dash-hyphen broken lines in FIGS. 13-18 drawing views represent that the entire segment defines as being

(Continued)



between the dash-hyphen broken lines can be repeated any positive whole number of times, including 1 (as shown), 2, 3, 4, 5, 6, 7, 8, 9, etc.

**1 Claim, 9 Drawing Sheets**

(58) **Field of Classification Search**

CPC ..... A47G 19/45; A47J 31/10; A47J 31/005;  
B01L 9/06

See application file for complete search history.

(56)

**References Cited**

U.S. PATENT DOCUMENTS

D265,126 S \* 6/1982 Beall ..... D24/230  
4,407,958 A \* 10/1983 DeGraff, Jr. .... B01L 9/06  
211/194  
D283,287 S \* 4/1986 Bosteels ..... D11/154  
D288,483 S \* 2/1987 Mora ..... D24/230  
D289,726 S \* 5/1987 Greutert ..... D7/310  
4,973,018 A \* 11/1990 Agor ..... A47K 1/09  
211/75

D319,745 S \* 9/1991 Williams ..... D7/388  
D566,851 S \* 4/2008 Hawker ..... D24/230  
D657,624 S \* 4/2012 Kastl ..... D7/505  
D683,046 S \* 5/2013 Yin ..... D24/230  
D796,277 S \* 9/2017 Stiffel ..... D7/701

OTHER PUBLICATIONS

Pour over coffee image posted at theawl.com, review posted on Jan. 26, 2012, © [online], [site visited Dec. 2, 2017]. Available from Internet, <URL: <https://www.theawl.com/2012/01/the-scourge-of-pour-over-coffee/>> (Year: 2012).\*

RizzoandCrane, Etsy.com, [www.etsy.com/listing/160793596/let-it-pour-the-industrial-pour-over](http://www.etsy.com/listing/160793596/let-it-pour-the-industrial-pour-over), retrieved Sep. 30, 2016, 3 pages.

RizzoandCrane, Etsy.com, [www.etsy.com/listing/225462183/let-it-pour-the-industrial-pour-over](http://www.etsy.com/listing/225462183/let-it-pour-the-industrial-pour-over), retrieved Sep. 30, 2016, 3 pages.

EdisonandMcCarthy, Etsy.com, [www.etsy.com/listing/471848871/rough-sawn-pour-over-coffee-stand](http://www.etsy.com/listing/471848871/rough-sawn-pour-over-coffee-stand), retrieved Sep. 30, 2016, 2 pages.

CopperCollectionEtsy, Etsy.com, [www.etsy.com/listing/290358195/four-poster-handmade-timber-and-copper](http://www.etsy.com/listing/290358195/four-poster-handmade-timber-and-copper), retrieved Sep. 30, 2016, 3 pages.

Awkwood, Etsy.com, [www.etsy.com/listing/259927836/wooden-pour-over-coffee-stand](http://www.etsy.com/listing/259927836/wooden-pour-over-coffee-stand), retrieved Sep. 30, 2016, 2 pages.

\* cited by examiner

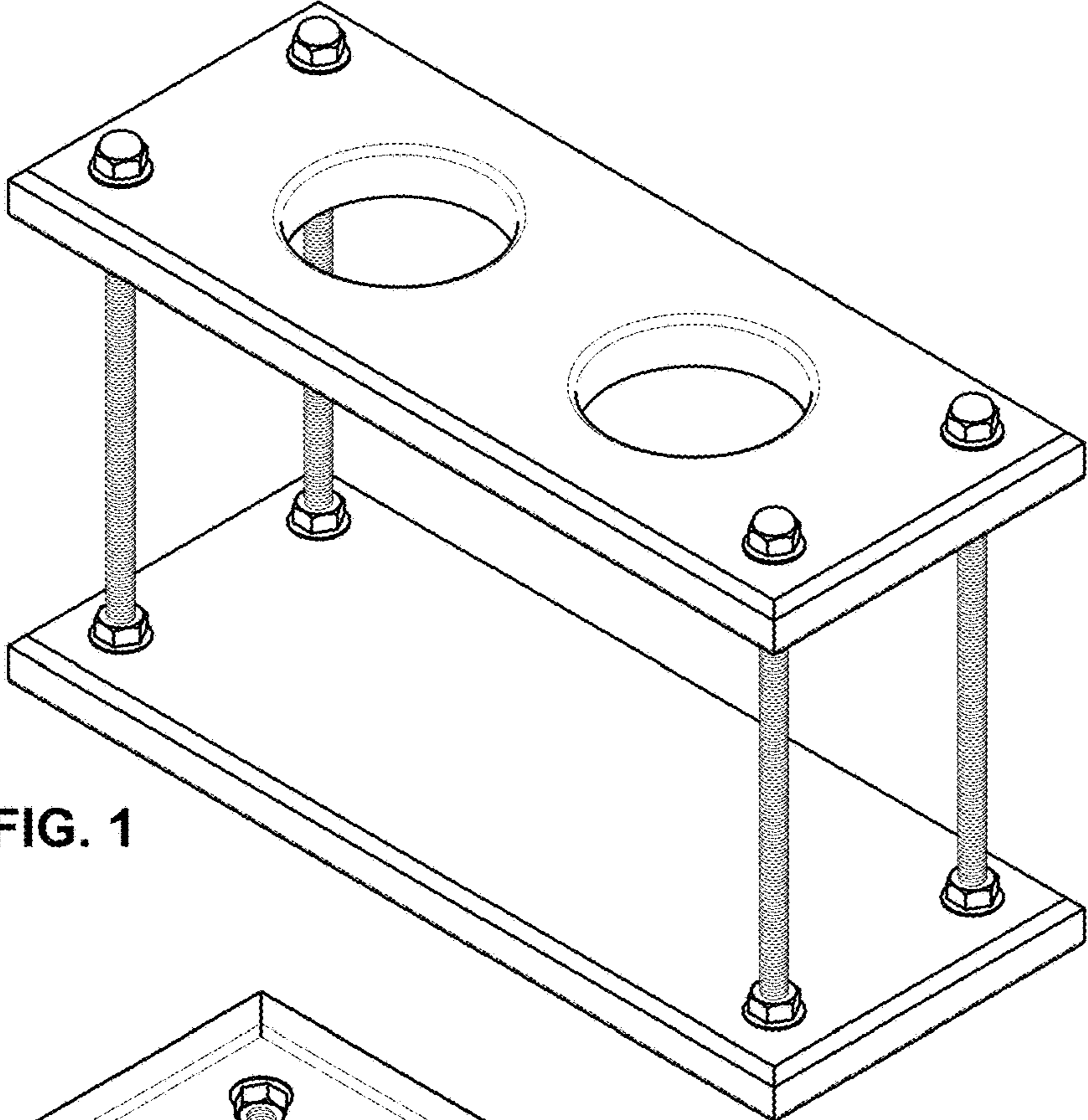


FIG. 1

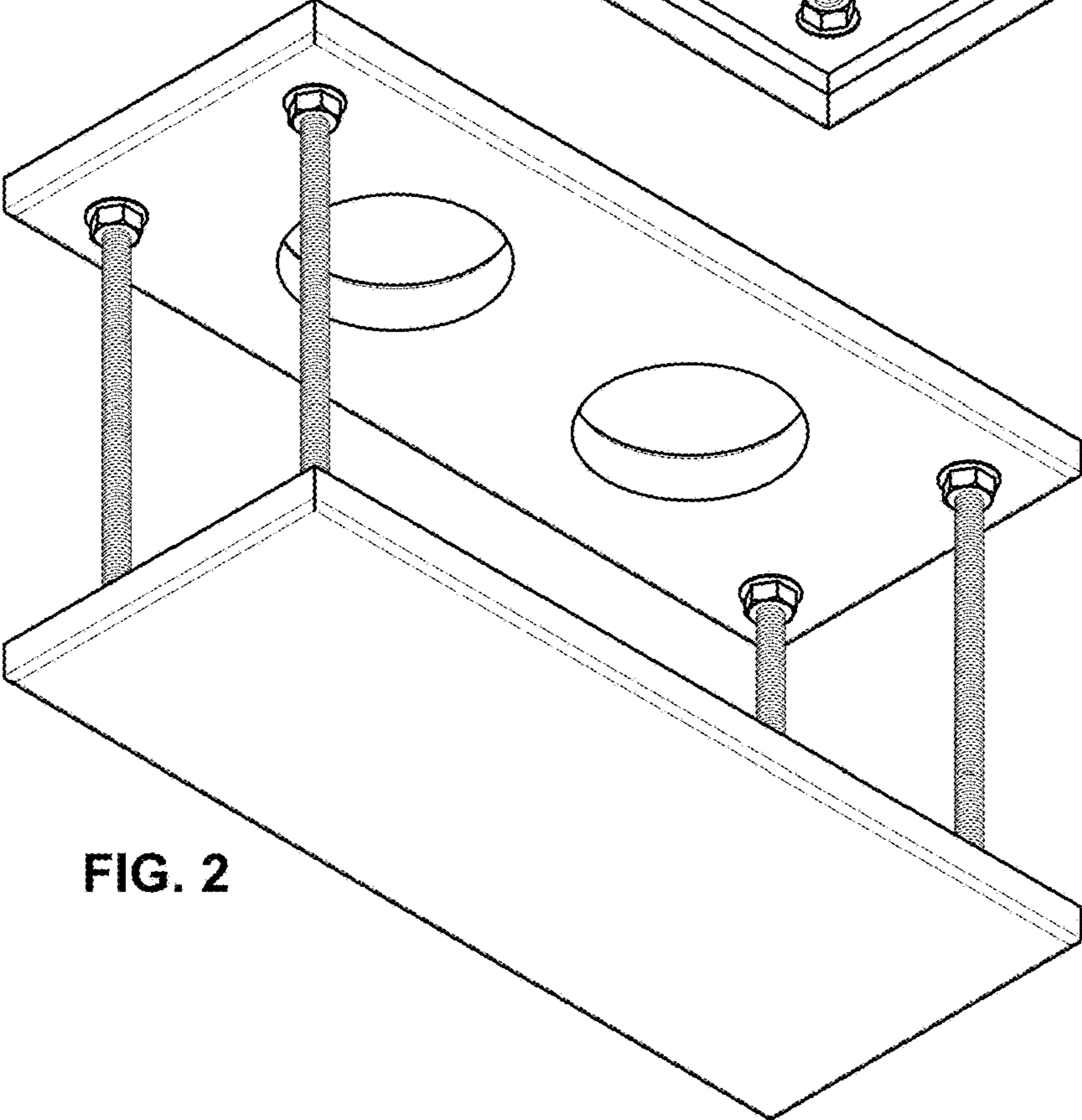


FIG. 2



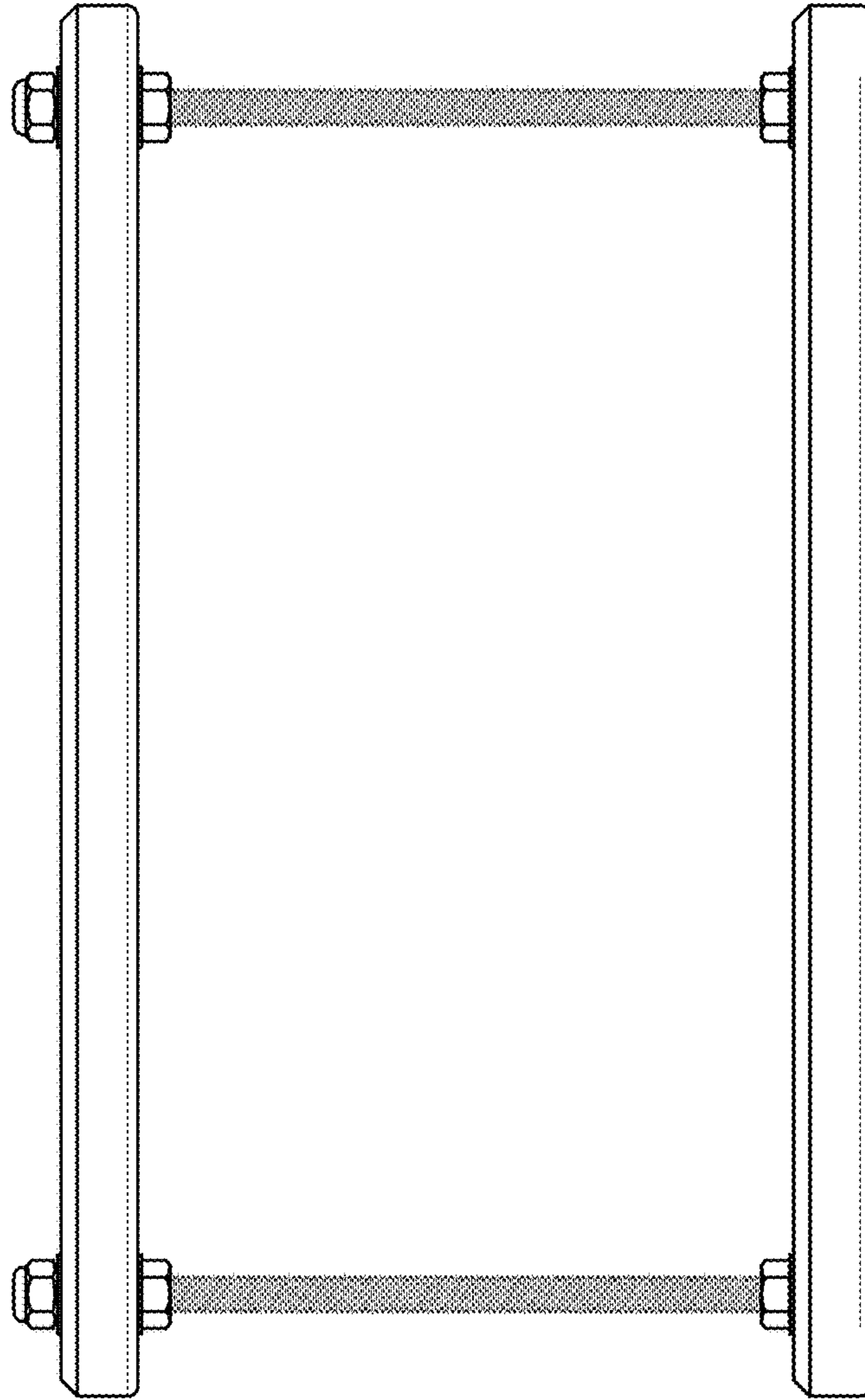


FIG. 3

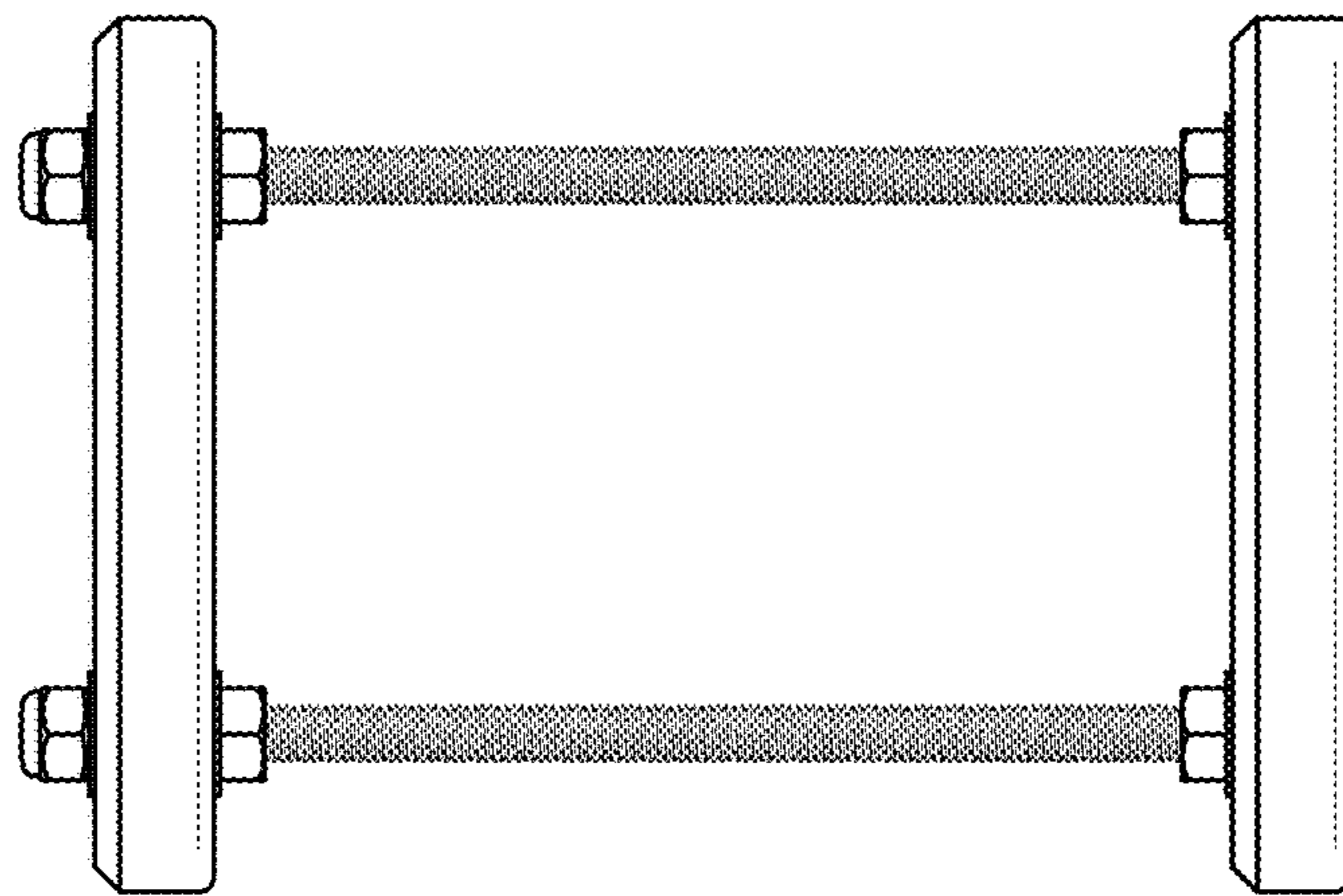


FIG. 4

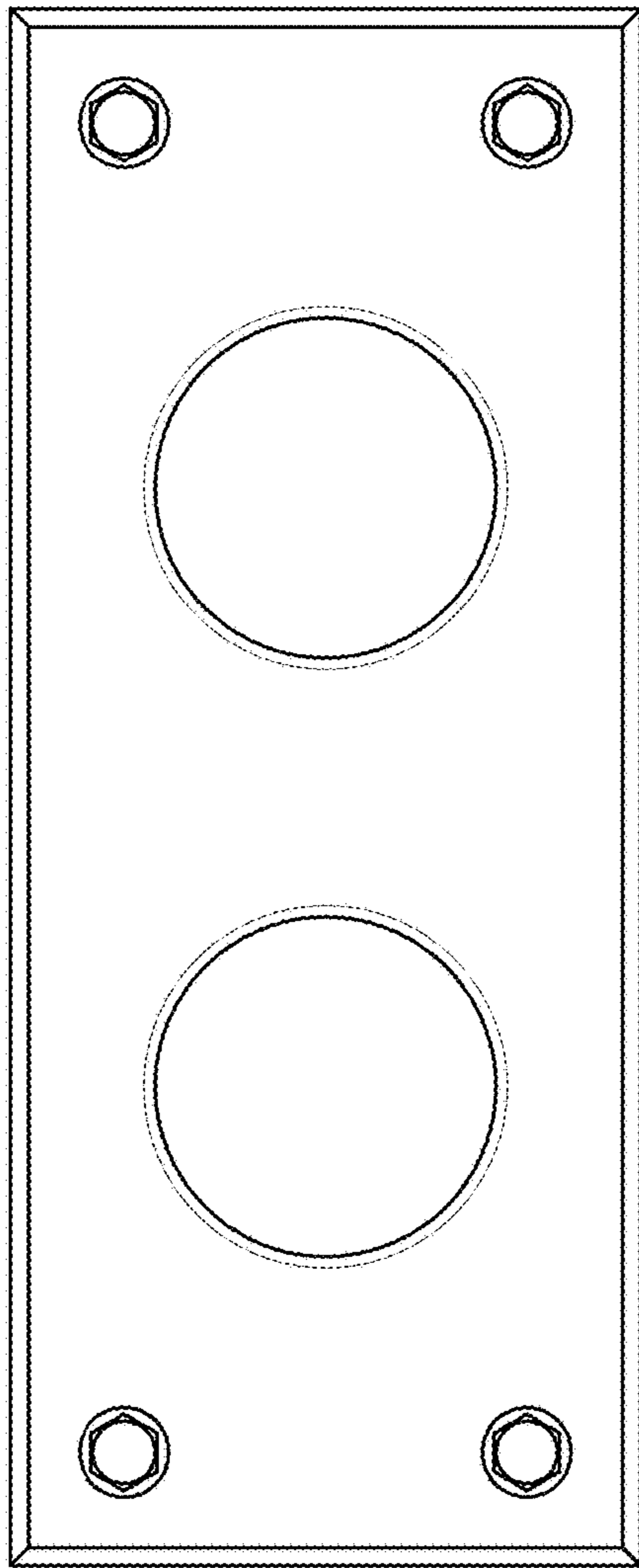


FIG. 5

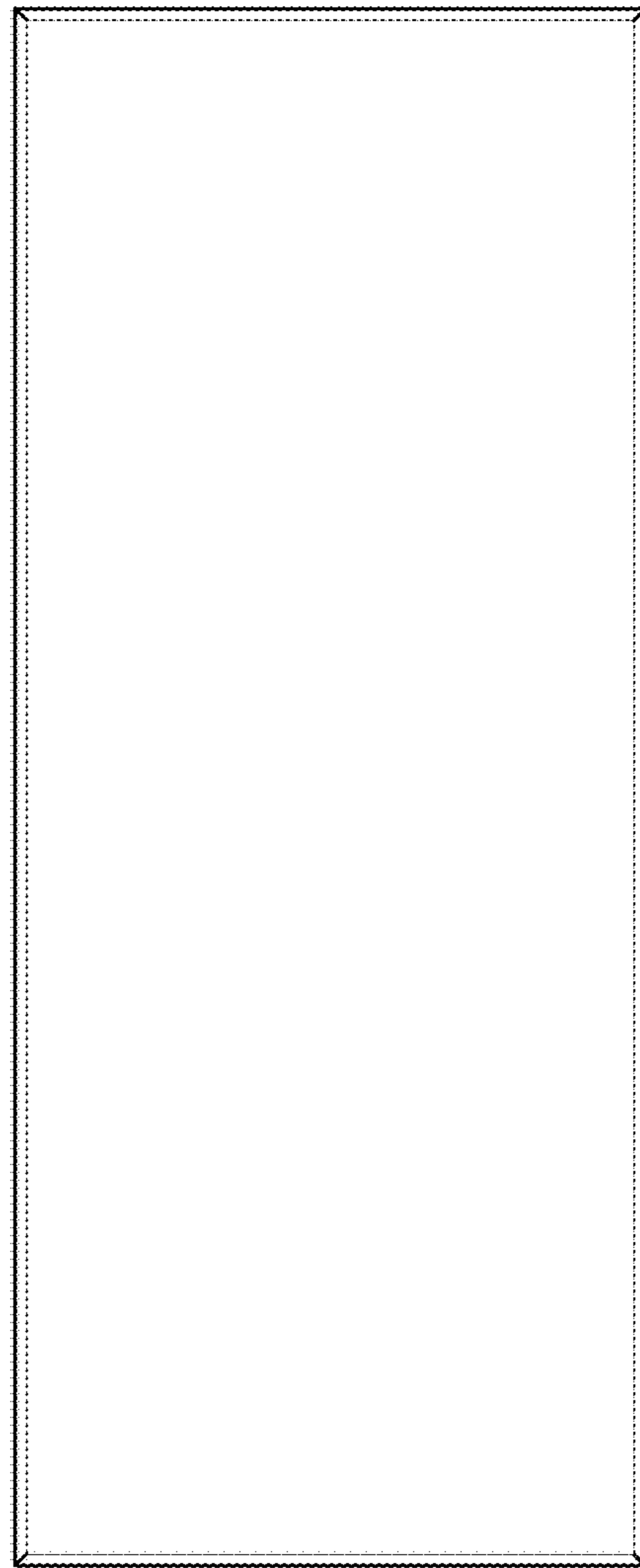


FIG. 6

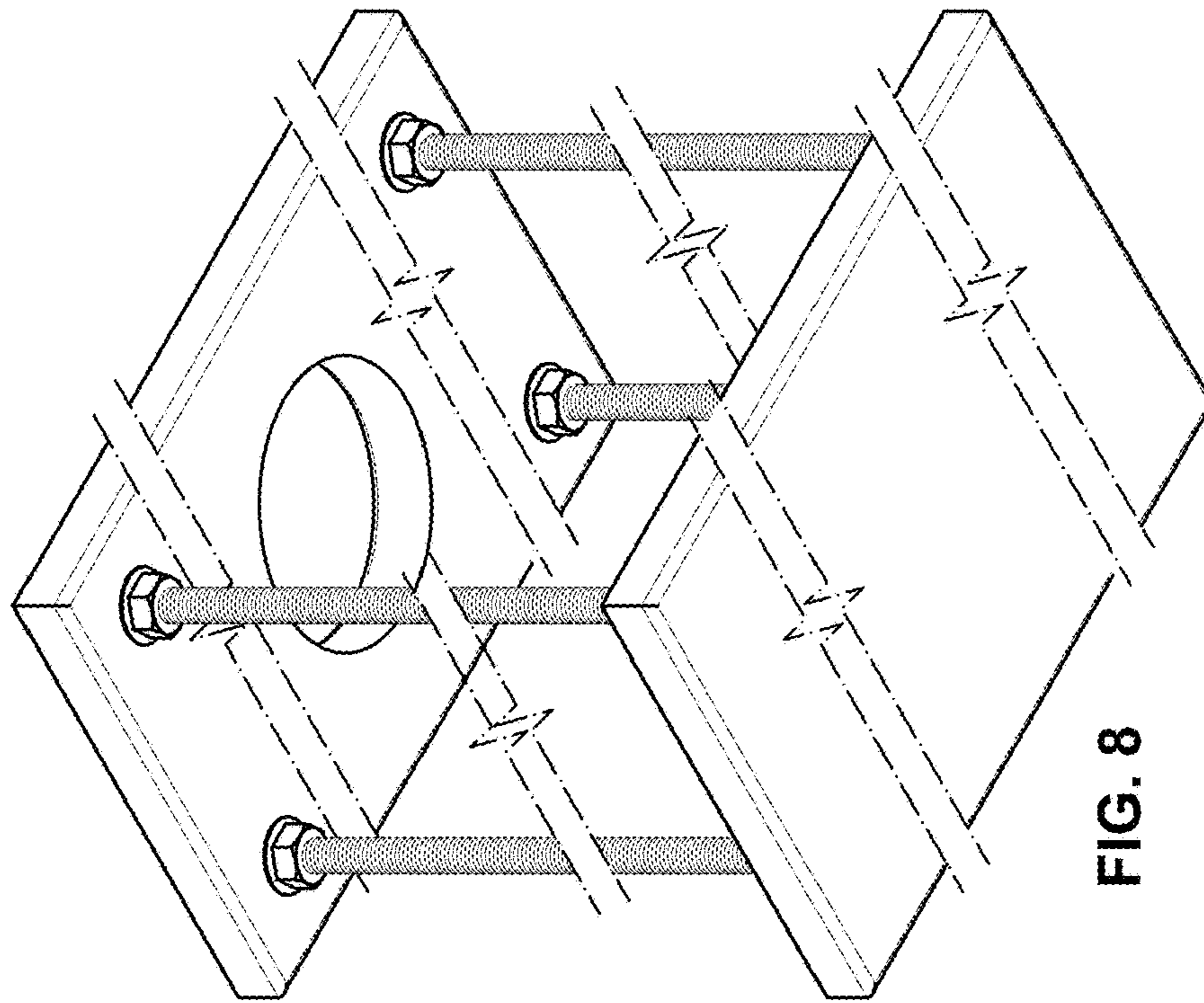


FIG. 8

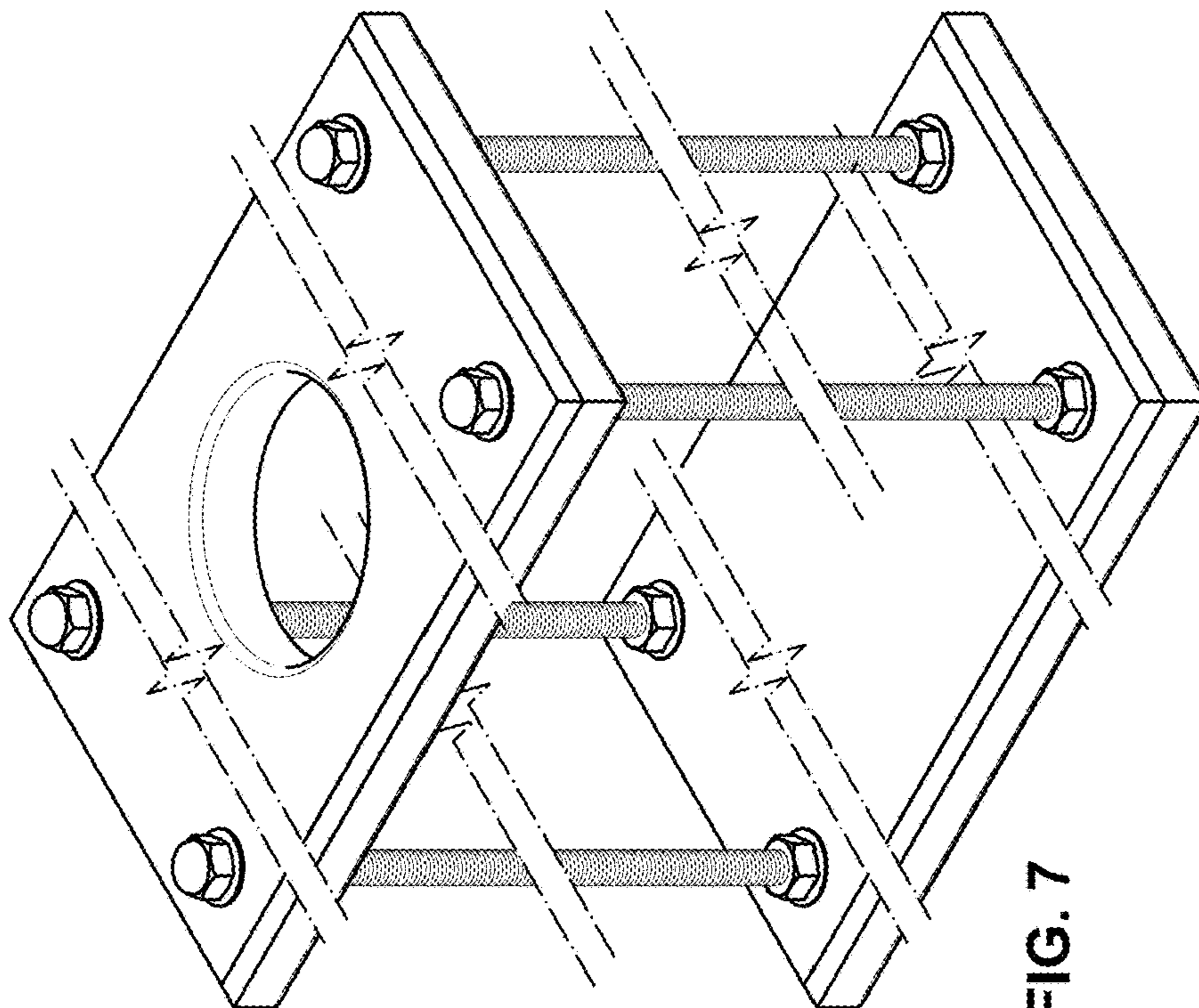


FIG. 7

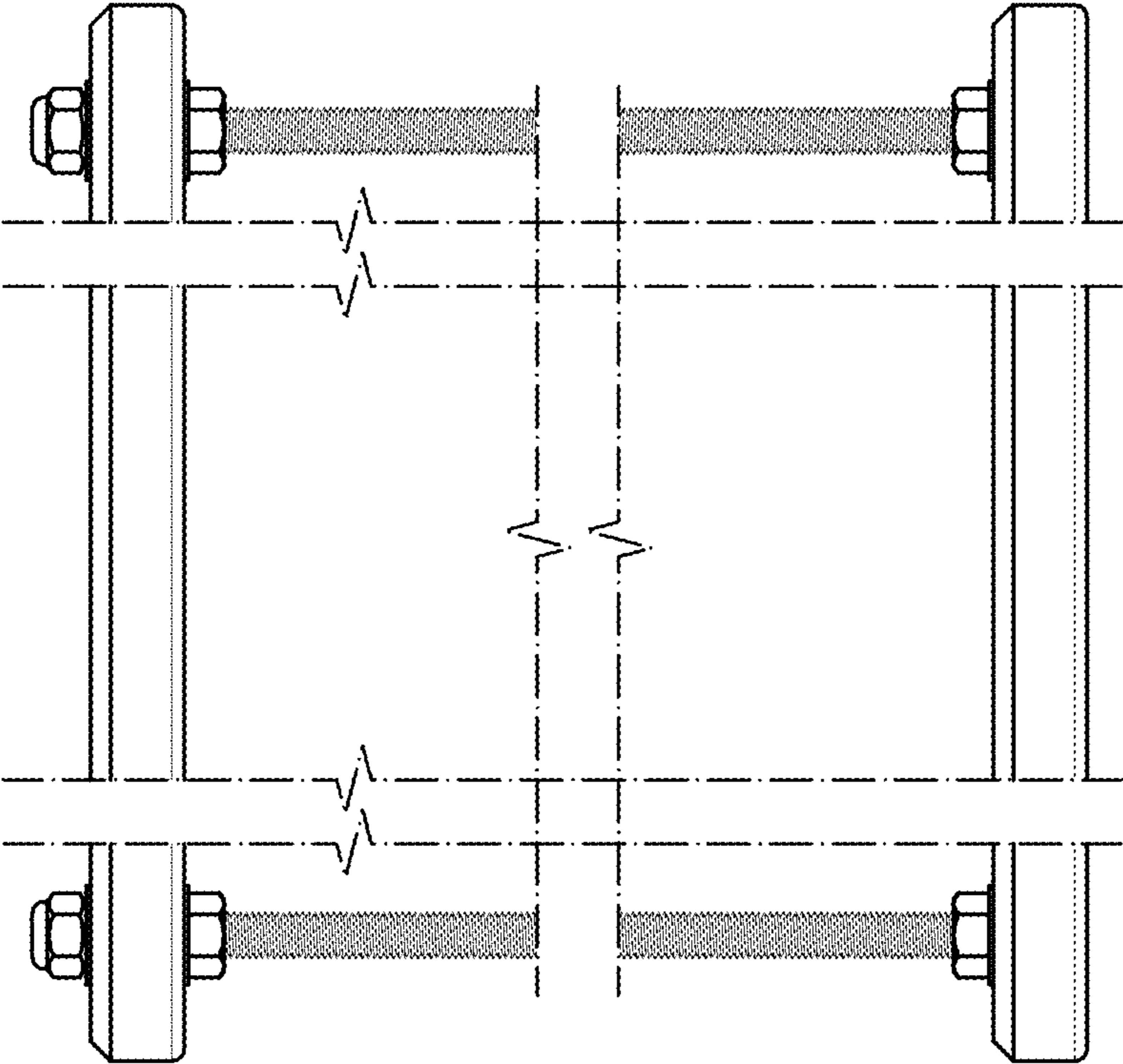


FIG. 10

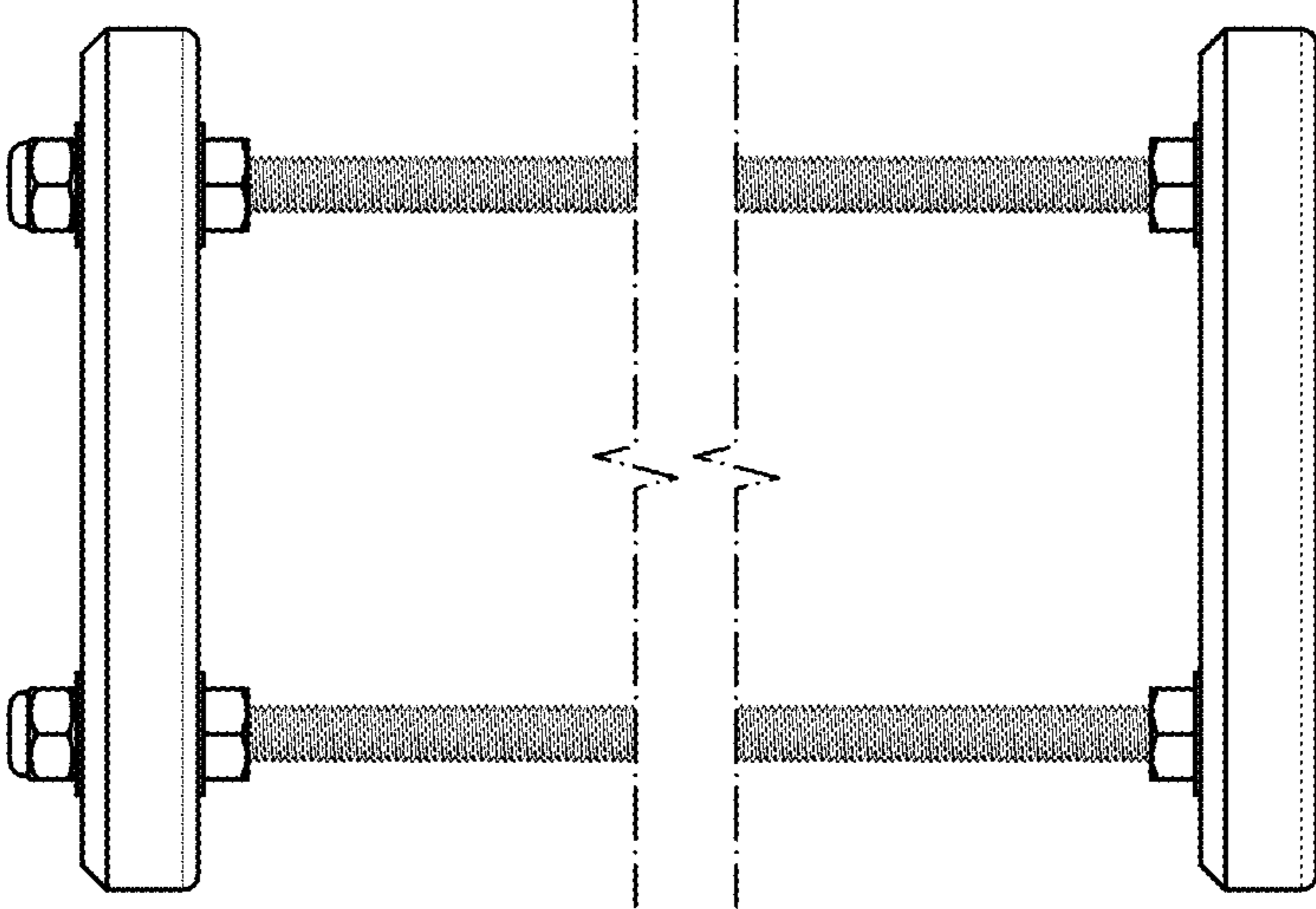


FIG. 9

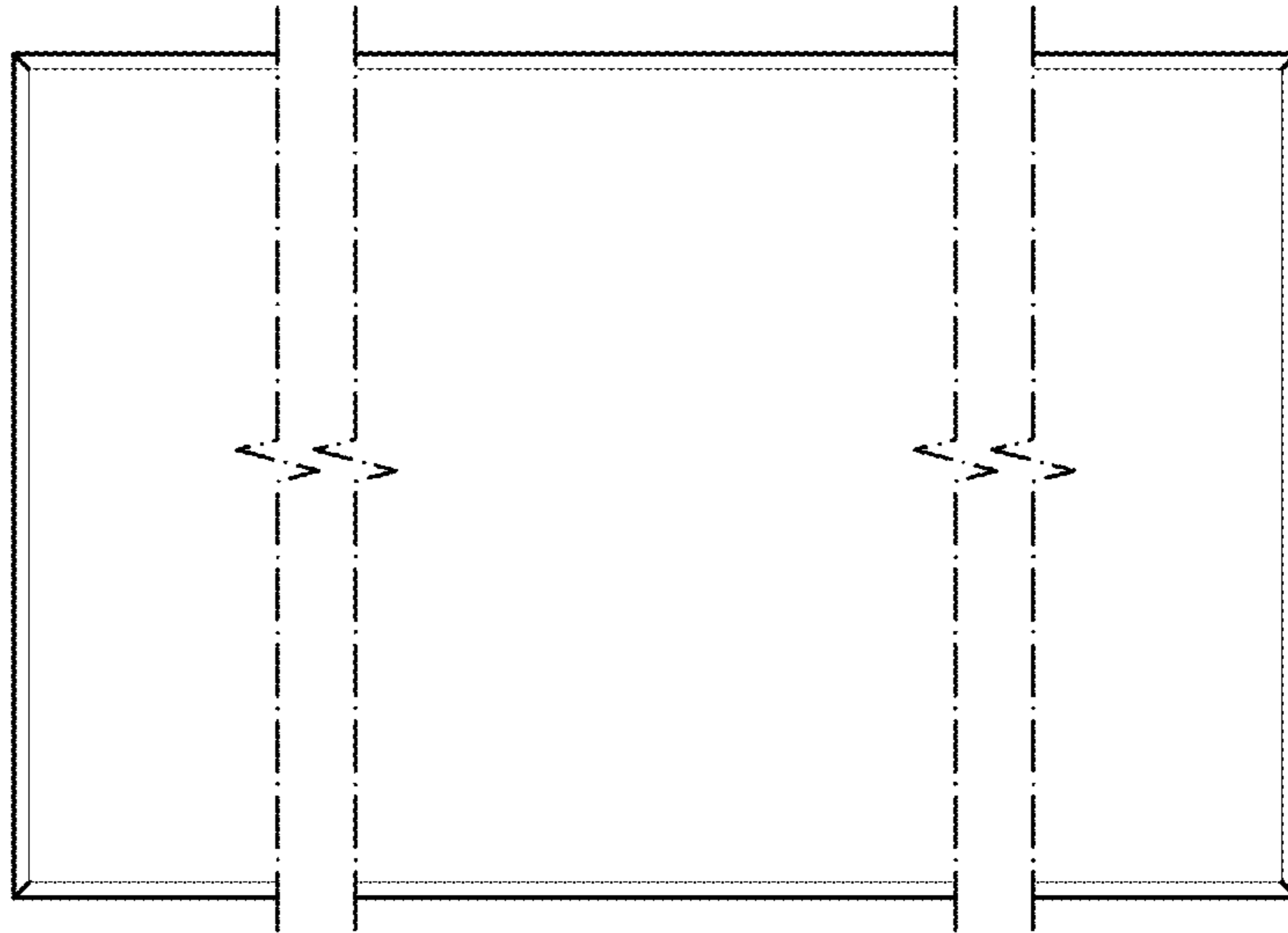


FIG. 12

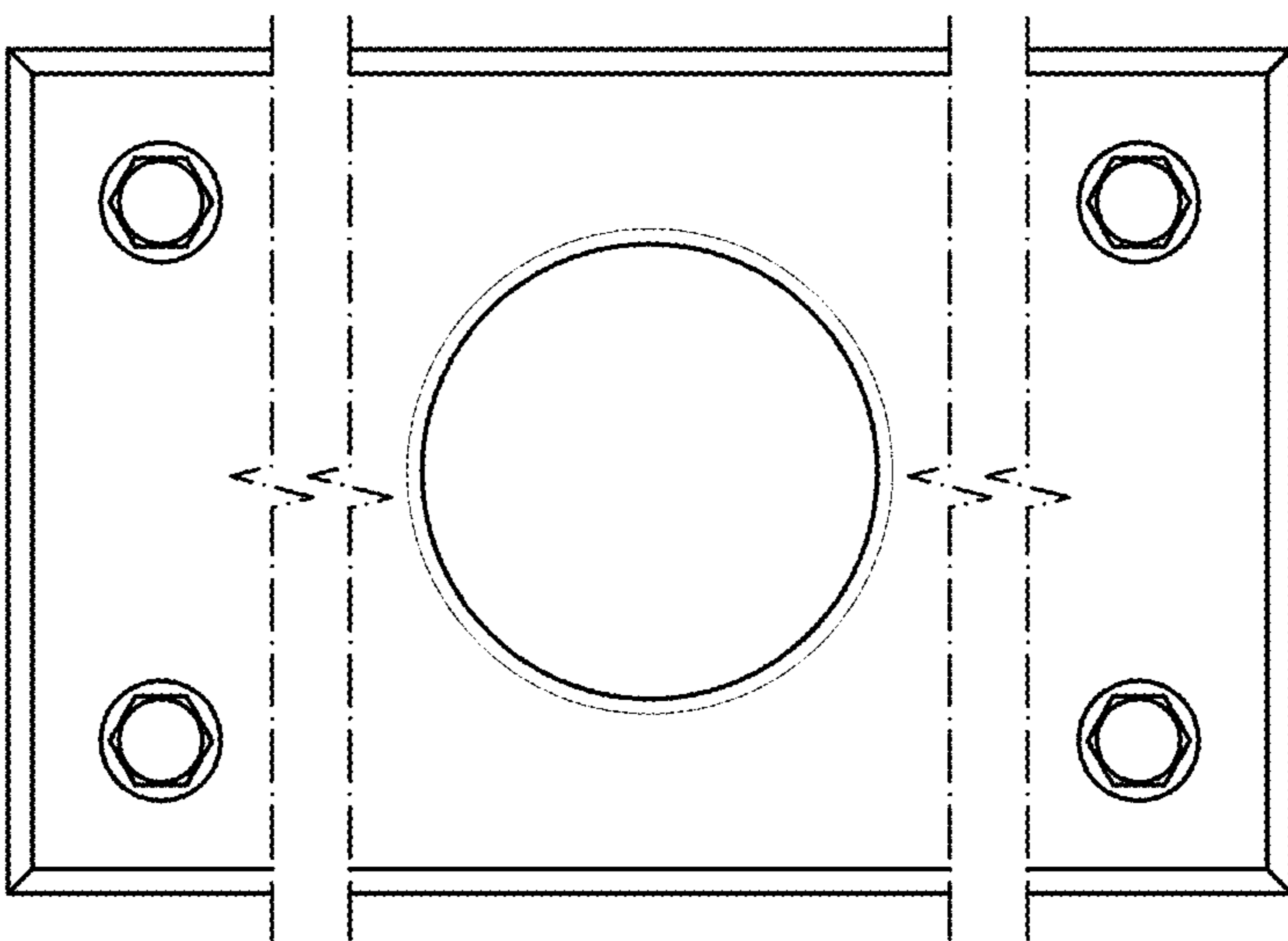


FIG. 11



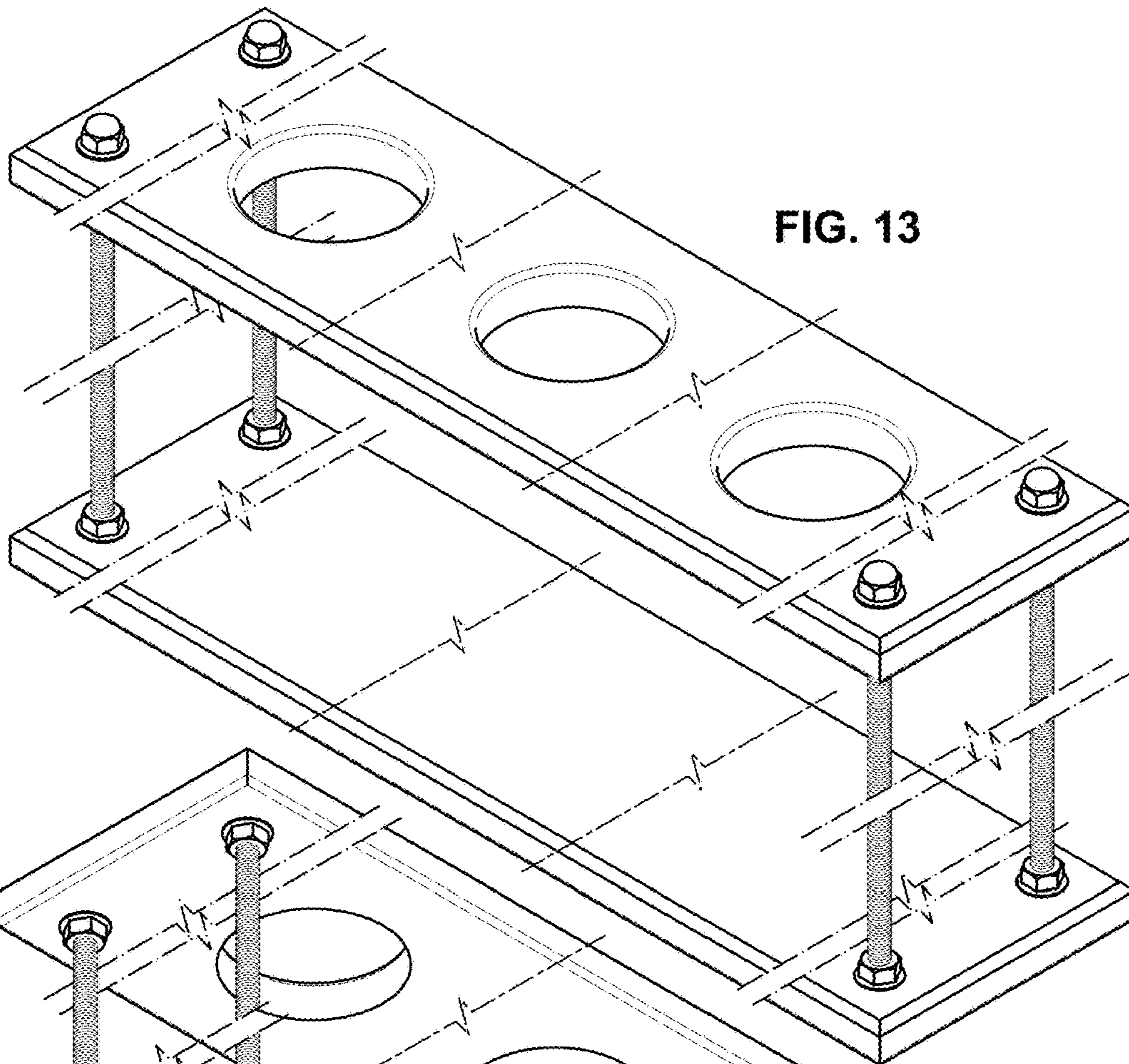


FIG. 13

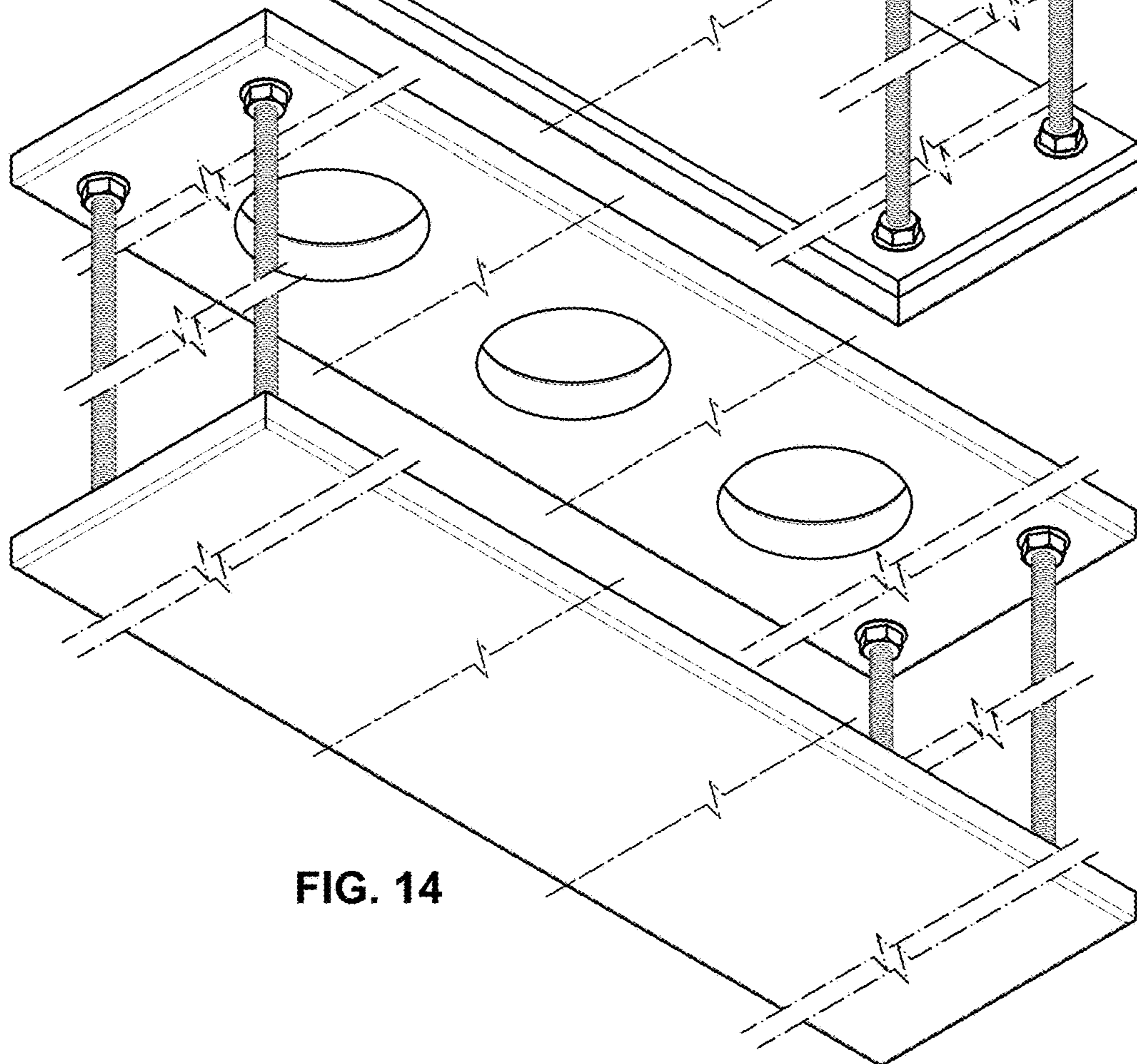


FIG. 14

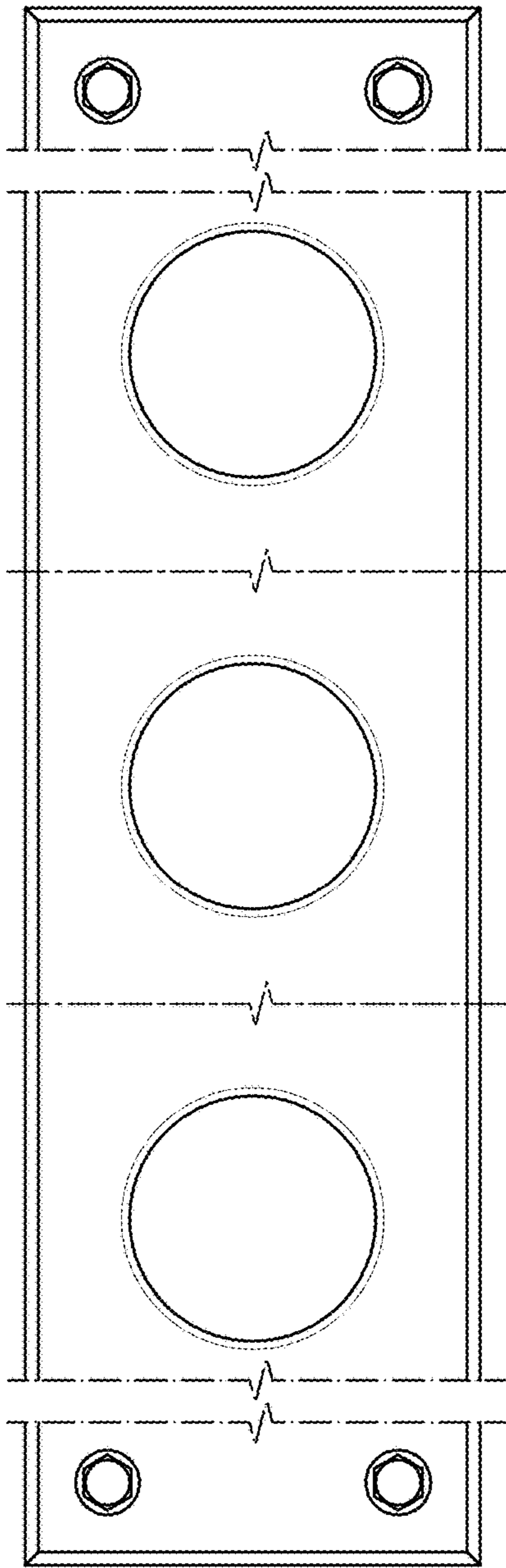


FIG. 15

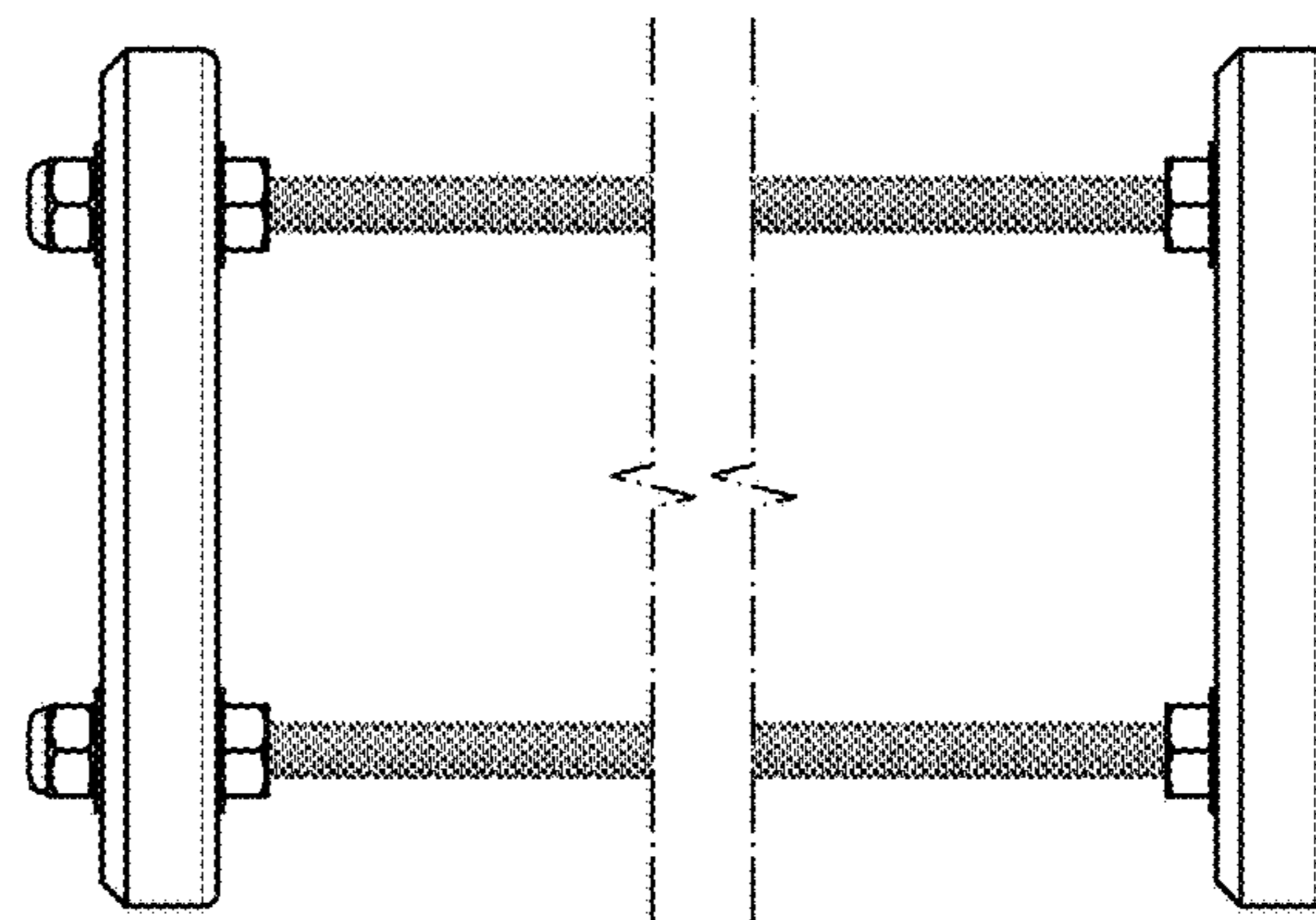


FIG. 16

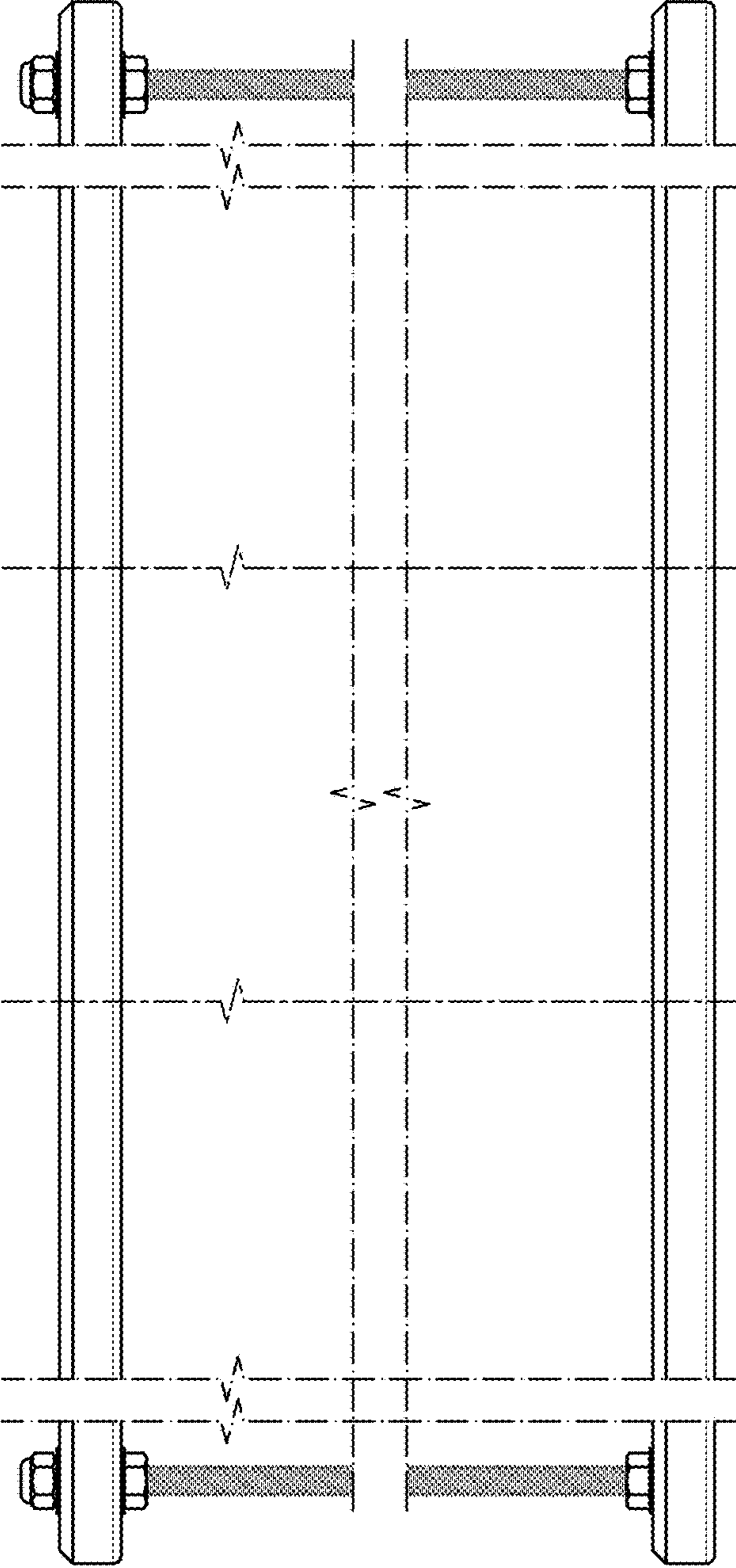


FIG. 17

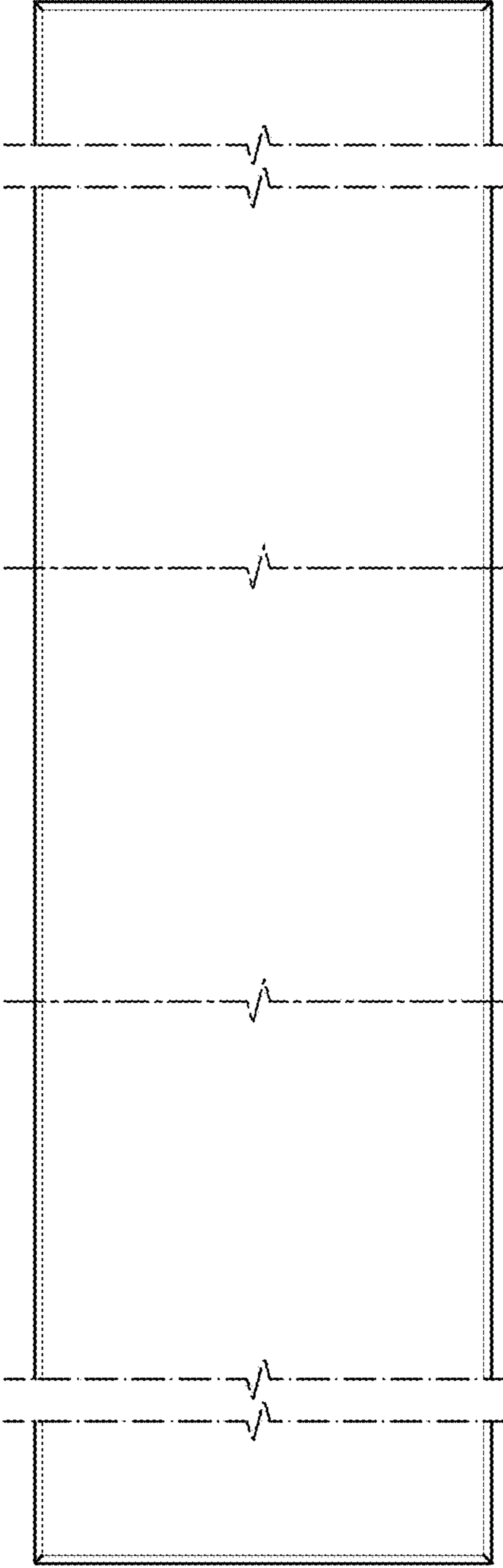


FIG. 18