



US00D837586S

(12) **United States Design Patent** (10) **Patent No.:** **US D837,586 S**  
**Trueba Elorza et al.** (45) **Date of Patent:** **\*\* Jan. 8, 2019**

(54) **ELECTRIC WHISK**

(71) Applicant: **SAMMIC, S.L.**, Azkoitia (Guipúzcoa) (ES)

(72) Inventors: **María Isabel Trueba Elorza**, Astigarraga (ES); **Carlos Blázquez Blázquez**, Zarautz (ES)

(73) Assignee: **SAMMIC, S.L.**, Azkoitia (Guipúzcoa) (ES)

(\*\*) Term: **15 Years**

(21) Appl. No.: **29/617,255**

(22) Filed: **Sep. 13, 2017**

(30) **Foreign Application Priority Data**

Mar. 16, 2017 (EM) ..... 003803451-003

(51) **LOC (11) Cl.** ..... **31-00**

(52) **U.S. Cl.**  
USPC ..... **D7/379**; D7/376; D7/380

(58) **Field of Classification Search**  
USPC ..... D7/309, 317, 372, 376–386, 412–413, D7/507, 602, 608, 629, 665–666, 669, D7/679, 693–694

CPC .... A21C 1/02; A21C 1/04; A23N 1/00; A23N 1/02; A47G 19/2205; A47J 42/08; A47J 43/04; A47J 43/25; A47J 43/27; A47J 43/042; A47J 43/044; A47J 43/046; A47J 43/075; A47J 43/0711; A47J 43/0722; A47J 43/0727; A47J 43/0755; B01F 3/00; B01F 3/0807; B01F 3/0853; B01F 7/22; B01F 13/002; B01F 13/0059; B01F 13/0064; B02C 1/08; B02C 2/04; B02C 4/42; B02C 4/142; B02C 4/143; B02C 4/423; B02C 13/1835; B28C 5/10; B28C 5/12; B28C 5/14; B28C 5/16

See application file for complete search history.

(56) **References Cited**

U.S. PATENT DOCUMENTS

D195,344 S *	6/1963	Lindahl .....	D7/380
D394,367 S *	5/1998	Littmann .....	D7/376
6,193,404 B1 *	2/2001	Calange .....	A47J 43/0711 366/129
D494,410 S *	8/2004	Stuart .....	D7/379
7,172,334 B2 *	2/2007	Chiappetta .....	A47J 43/0711 366/129
7,267,476 B2 *	9/2007	Rutigliano .....	B01F 13/002 366/129
D623,009 S *	9/2010	Bodum .....	D7/376
D641,587 S *	7/2011	Colburn .....	D7/376
D767,934 S *	10/2016	McConnell .....	D7/376
D803,618 S *	11/2017	Blazquez .....	D7/379
D809,331 S *	2/2018	Blazquez .....	D7/379
2005/0276158 A1 *	12/2005	Thomas .....	B01F 7/22 366/250
2007/0054744 A1 *	3/2007	Garcia .....	A47J 43/0755 464/160

\* cited by examiner

*Primary Examiner* — Ricky Pham

(74) *Attorney, Agent, or Firm* — Collard & Roe, P.C.

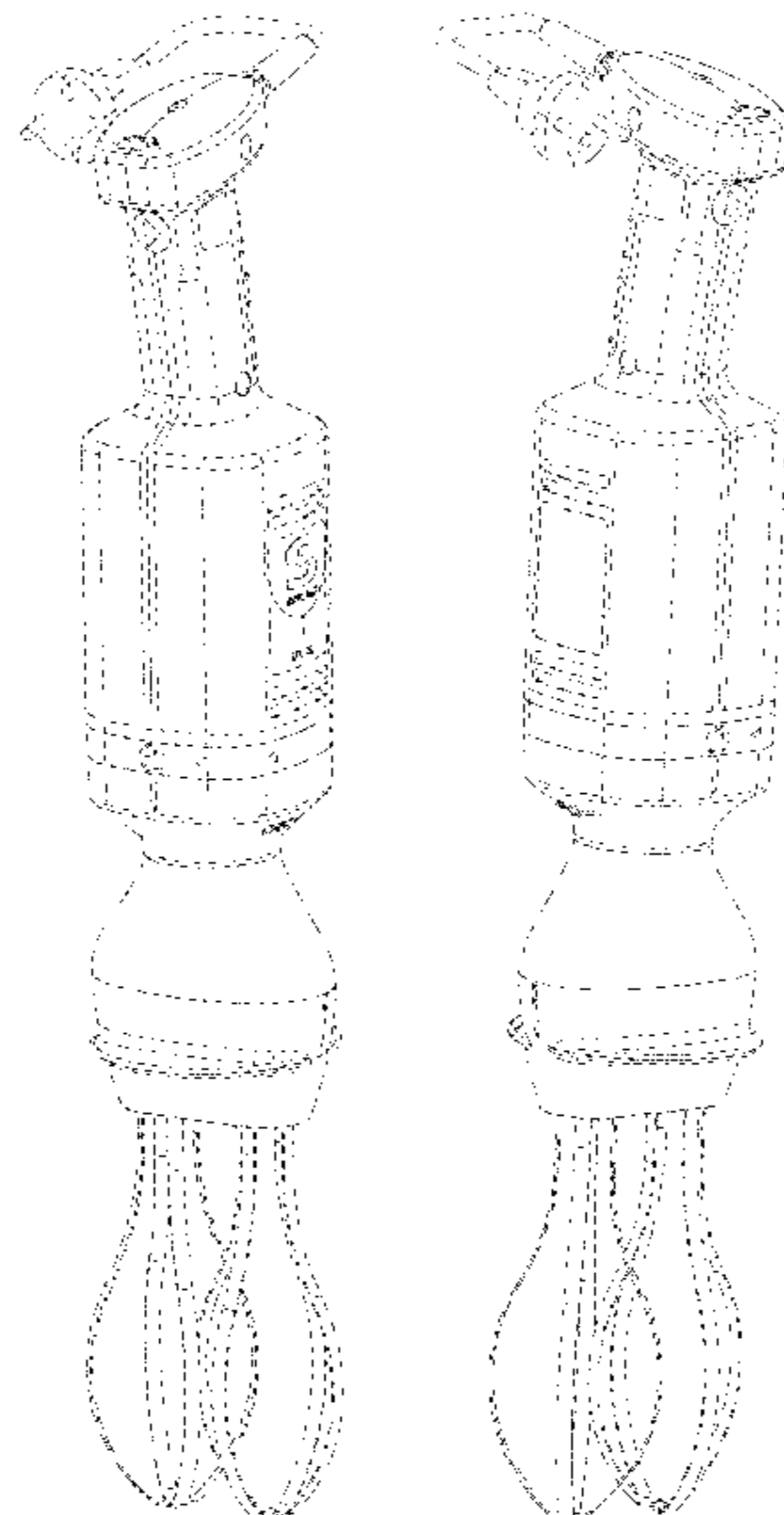
(57) **CLAIM**

The ornamental design for an electric whisk, as shown and described.

**DESCRIPTION**

FIG. 1 shows a front, top and right side perspective view of an electric whisk, showing our new design; FIG. 2 is a front, top and left side perspective view thereof; FIG. 3 is an enlarged top view thereof; FIG. 4 is an enlarged bottom view thereof; FIG. 5 is a right side view thereof; FIG. 6 is a left side view thereof; and, FIG. 7 is a front view thereof.

**1 Claim, 6 Drawing Sheets**



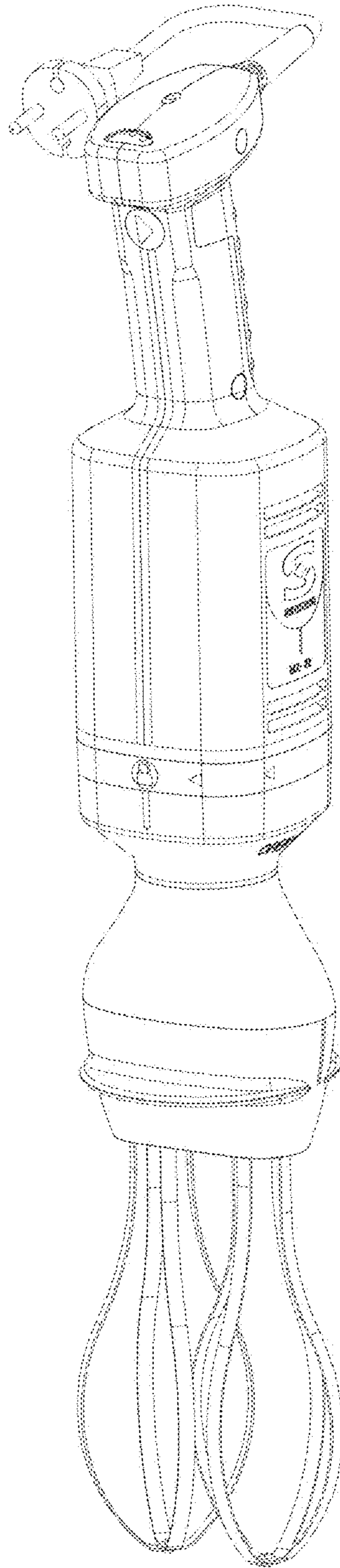


FIG.1

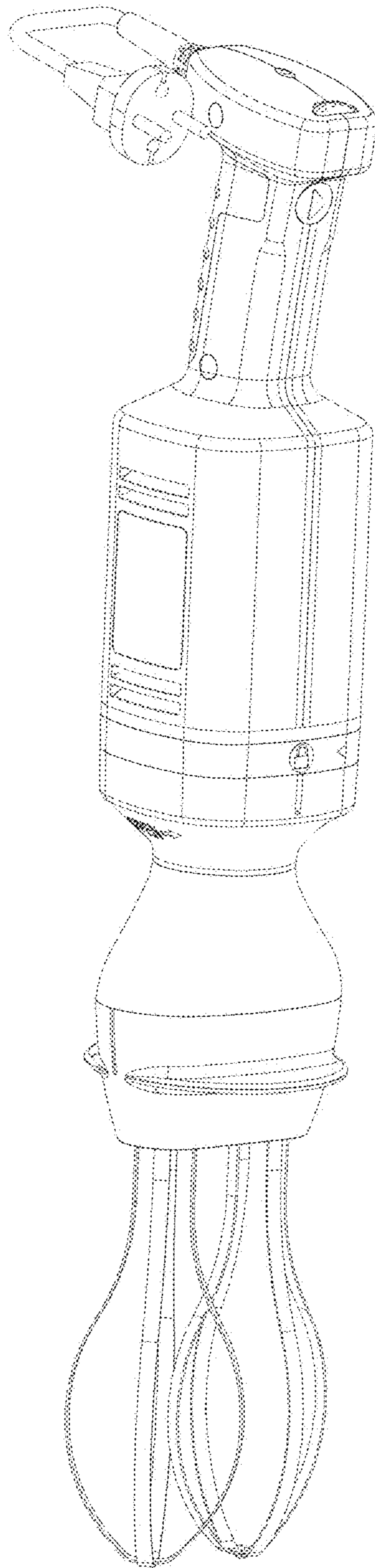


FIG. 2

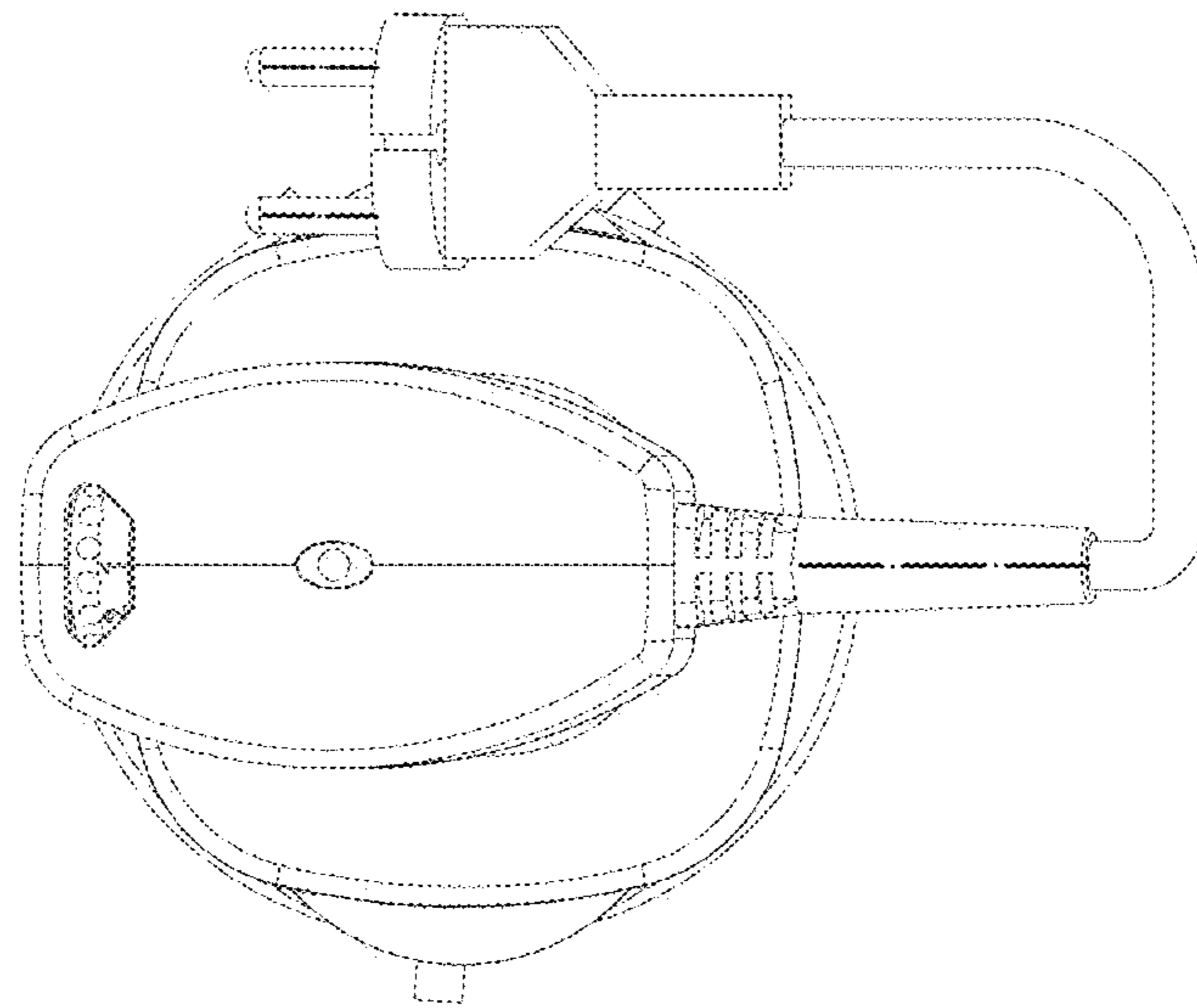


FIG. 3

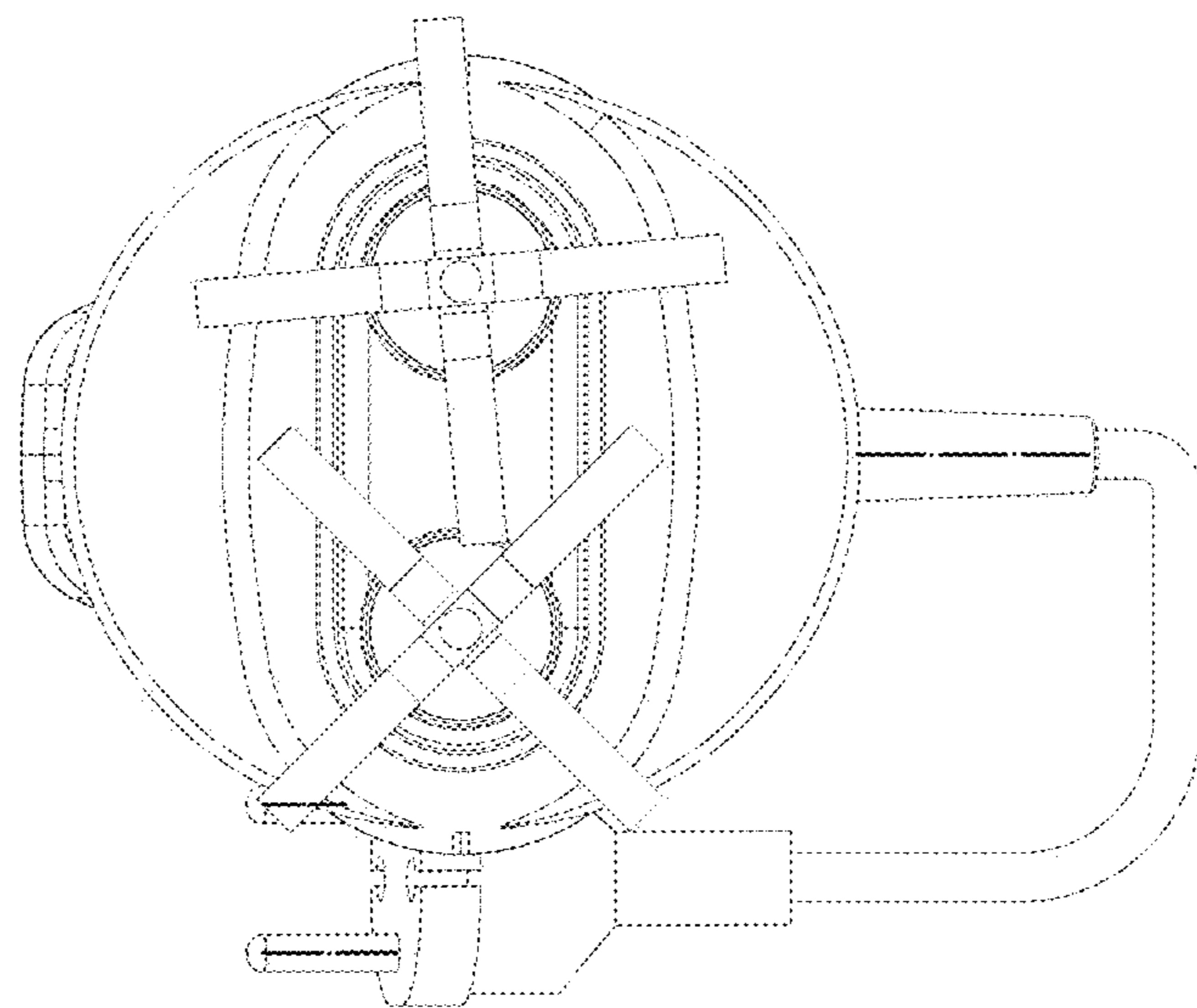


FIG. 4

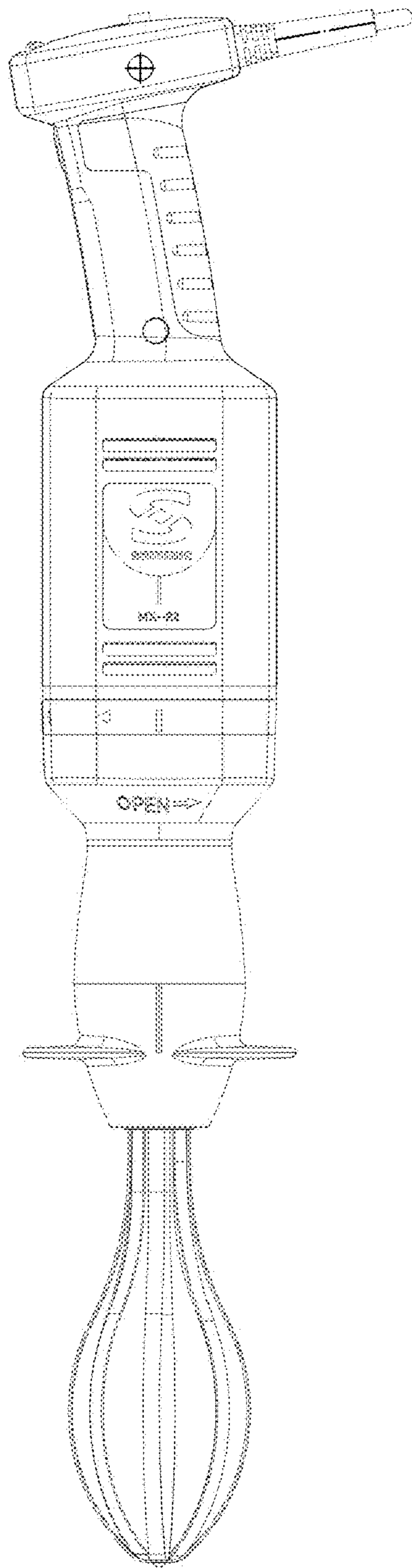


FIG. 5

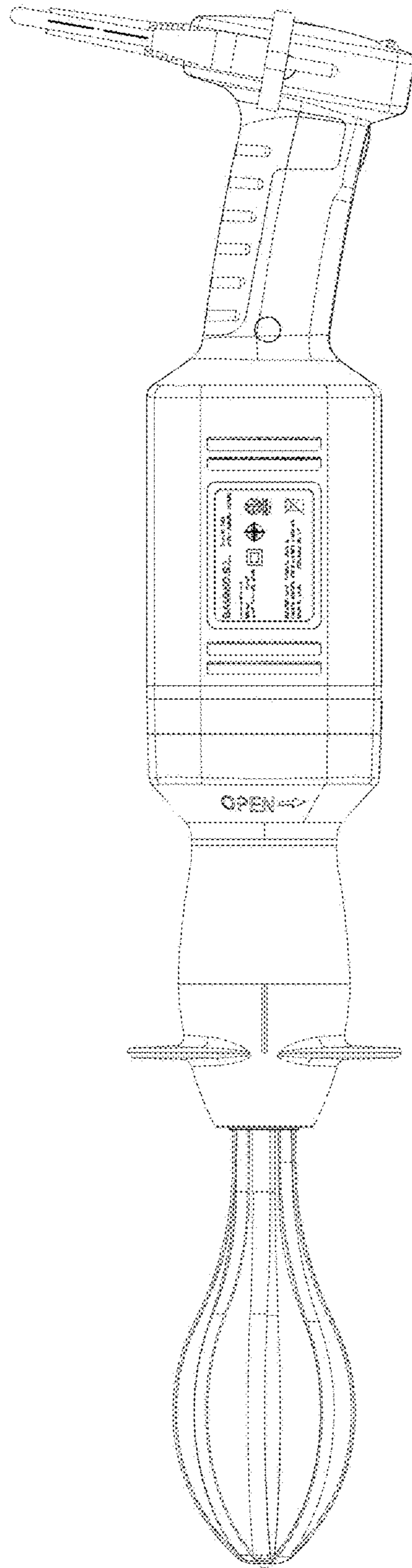


FIG. 6

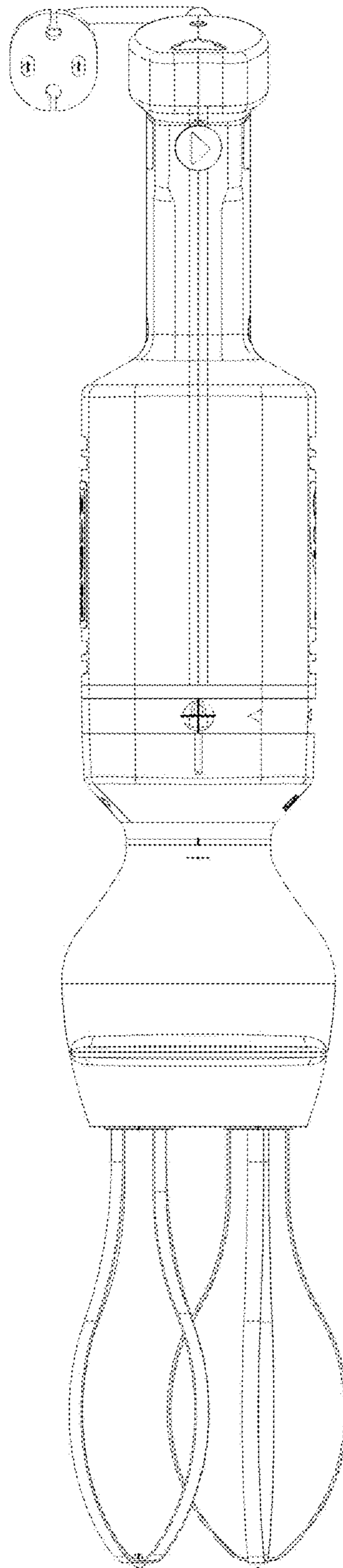


FIG. 7