



US00D837584S

(12) **United States Design Patent**
Chang

(10) **Patent No.:** **US D837,584 S**

(45) **Date of Patent:** **** Jan. 8, 2019**

(54) **COOKING POT**

(71) Applicant: **Peter Chung-Yuan Chang**, San Diego, CA (US)

(72) Inventor: **Peter Chung-Yuan Chang**, San Diego, CA (US)

(**) Term: **15 Years**

(21) Appl. No.: **29/547,031**

(22) Filed: **Nov. 30, 2015**

(51) **LOC (11) Cl.** **07-02**

(52) **U.S. Cl.**
USPC **D7/360**

(58) **Field of Classification Search**

USPC D3/201, 202, 203.1, 270, 271.1; D6/672, D6/674, 677, 707.15; D7/323, 329-332, D7/337-339, 346-347, 350.1-350.4, D7/353-368, 391, 392.1, 393-398, D7/402-406, 409, 511, 515, 523, 526, D7/530, 531, 534.1, 538, 542, 543, 551, D7/553.1, 553.2, 553.7, 554.1, 554.4, D7/560-566, 584-588, 600.1, 601-615; D9/414, 418, 420, 430, 432, 431
CPC A47G 19/12; A47J 27/00; A47J 27/002; A47J 27/004; A47J 27/08; A47J 27/21; A47J 27/58; A47J 35/025; A47J 37/00; A47J 37/10; A47J 37/101; A47J 37/103; A47J 37/1204; A47J 37/0704; A47J 45/061; A47J 45/065; A47J 45/071; A47J 45/08; A47J 29/00; A47J 29/02; A47J 29/04; A47J 29/06; A47J 36/025; H05B 6/06; H05B 6/12; A01K 41/02; A01K 41/026; A01K 41/04; A23B 5/00; A23B 5/005; A23B 5/0052; B65D 11/02

See application file for complete search history.

(56) **References Cited**

U.S. PATENT DOCUMENTS

2,269,480 A * 1/1942 Rehm A47J 37/103
126/275 R
D446,084 S * 8/2001 Schulein D7/629

D460,316 S * 7/2002 Coudurier D7/360
D470,715 S * 2/2003 Kloppsteck D7/360
D471,757 S * 3/2003 Kitamura D7/356

(Continued)

FOREIGN PATENT DOCUMENTS

FR 903255-003 * 10/1990
SI 9450092-0002 * 12/1994
WO WO D069170-006 * 9/2007

OTHER PUBLICATIONS

Tagine: Announced Feb. 28, 2011 [online], site visited [Dec. 29, 2016]. Available from Internet URL: <https://www.claycoyote.com/march-is-tagine-month/>.*

(Continued)

Primary Examiner — Barbara Fox

Assistant Examiner — Catherine S Posthauer

(74) *Attorney, Agent, or Firm* — Donn K. Harms

(57) **CLAIM**

The ornamental design for a cooking pot, as shown and described.

DESCRIPTION

FIG. 1 is a perspective view of a cooking pot according to my new design;

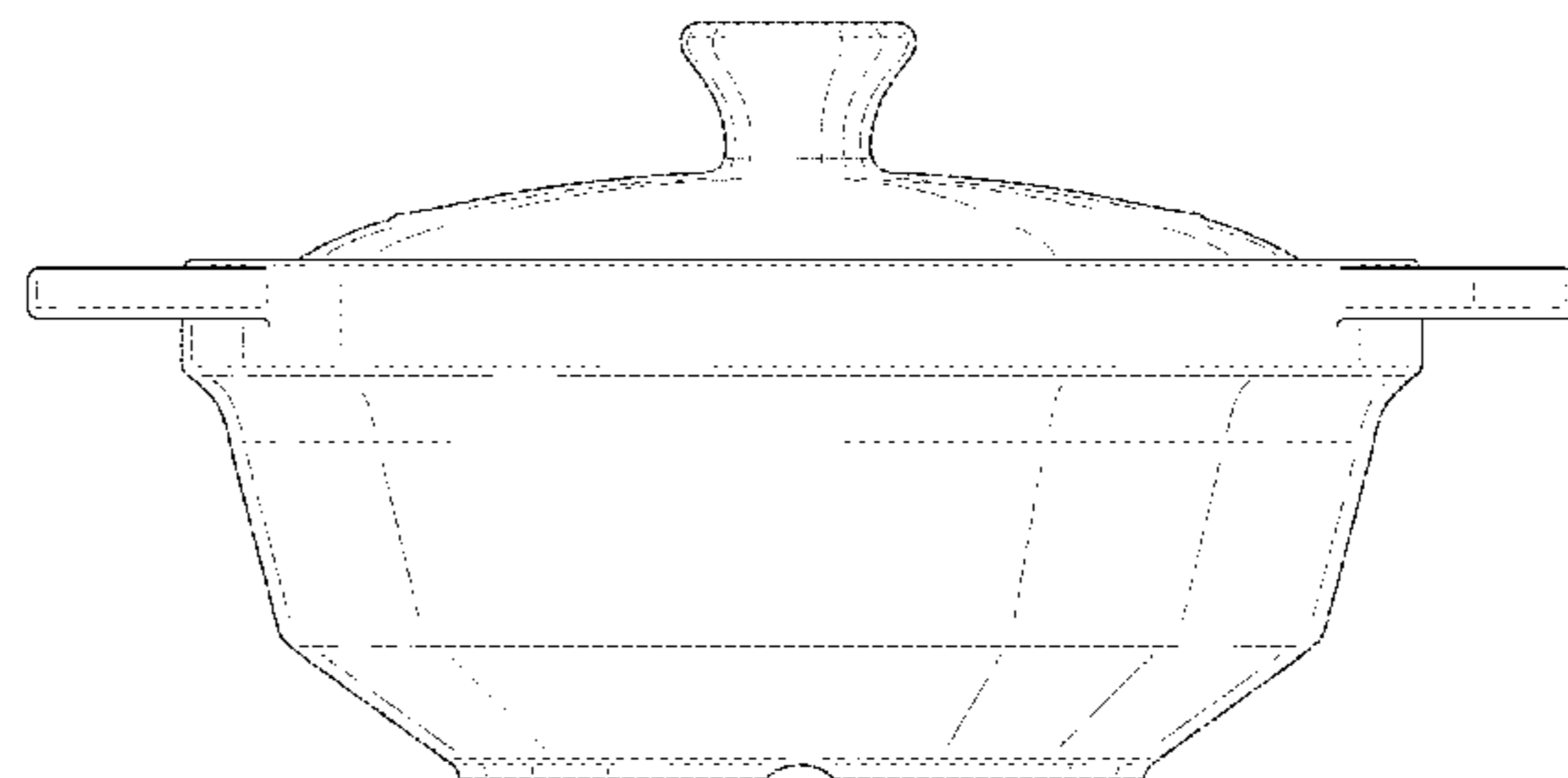
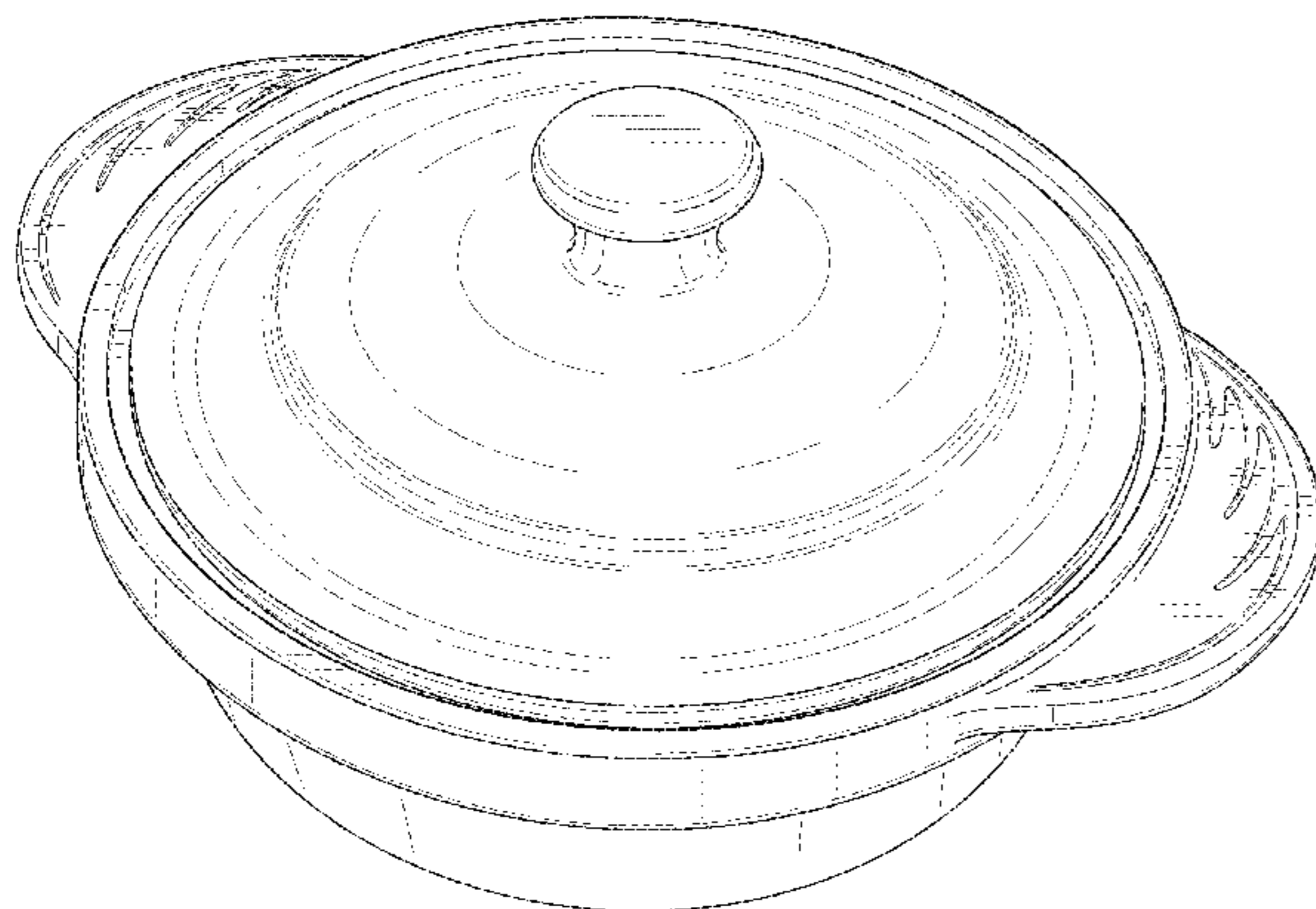
FIG. 2 is a first side view of the cooking pot shown in FIG. 1 the second side view being a mirror image thereof;

FIG. 3 is a front view of the cooking pot shown in FIG. 1, the rear view being a mirror image thereof;

FIG. 4 is a top view of the cooking pot shown in FIG. 1; and, FIG. 5 is a bottom view of the cooking pot shown in FIG. 1.

The dot-dash lines in the drawings illustrate the bounds of the claim and form no part thereof.

1 Claim, 5 Drawing Sheets



(56)

References Cited

U.S. PATENT DOCUMENTS

| | | | | | | |
|--------------|----|---|---------|-----------|-------|--------------------------|
| D514,372 | S | * | 2/2006 | Kaposi | | D7/354 |
| D557,062 | S | * | 12/2007 | Henry | | D7/360 |
| D557,551 | S | * | 12/2007 | Tetreault | | D7/354 |
| D568,677 | S | * | 5/2008 | Stattmann | | D7/360 |
| D572,524 | S | * | 7/2008 | Baker | | D7/360 |
| D572,969 | S | * | 7/2008 | Beyeler | | D7/360 |
| D589,295 | S | * | 3/2009 | Rohrer | | D7/360 |
| D673,806 | S | * | 1/2013 | Upston | | D7/354 |
| D674,653 | S | * | 1/2013 | Chen | | D7/354 |
| D680,803 | S | * | 4/2013 | Varakian | | D7/354 |
| D683,179 | S | * | 5/2013 | Coursey | | D7/354 |
| D685,222 | S | * | 7/2013 | Dang | | D7/354 |
| D685,604 | S | * | 7/2013 | Dang | | D7/354 |
| D749,891 | S | * | 2/2016 | Pujols | | D7/354 |
| D752,912 | S | * | 4/2016 | Venot | | D7/354 |
| D770,845 | S | * | 11/2016 | Quinn | | D7/354 |
| 2005/0145615 | A1 | * | 7/2005 | Schaffeld | | A47J 45/065 219/440 |
| 2015/0313406 | A1 | * | 11/2015 | Park | | H05B 6/6408 219/730 |
| 2016/0045052 | A1 | * | 2/2016 | Yu | | A47J 27/002 220/573.4 |

OTHER PUBLICATIONS

Big Apple Curry: Announced Nov. 18, 2014 [online], site visited [Dec. 29, 2016]. Available from Internet URL:<http://www.bigapplecurry.com/2014/11/18/moroccan-slow-cooker-tagine/>.*

* cited by examiner

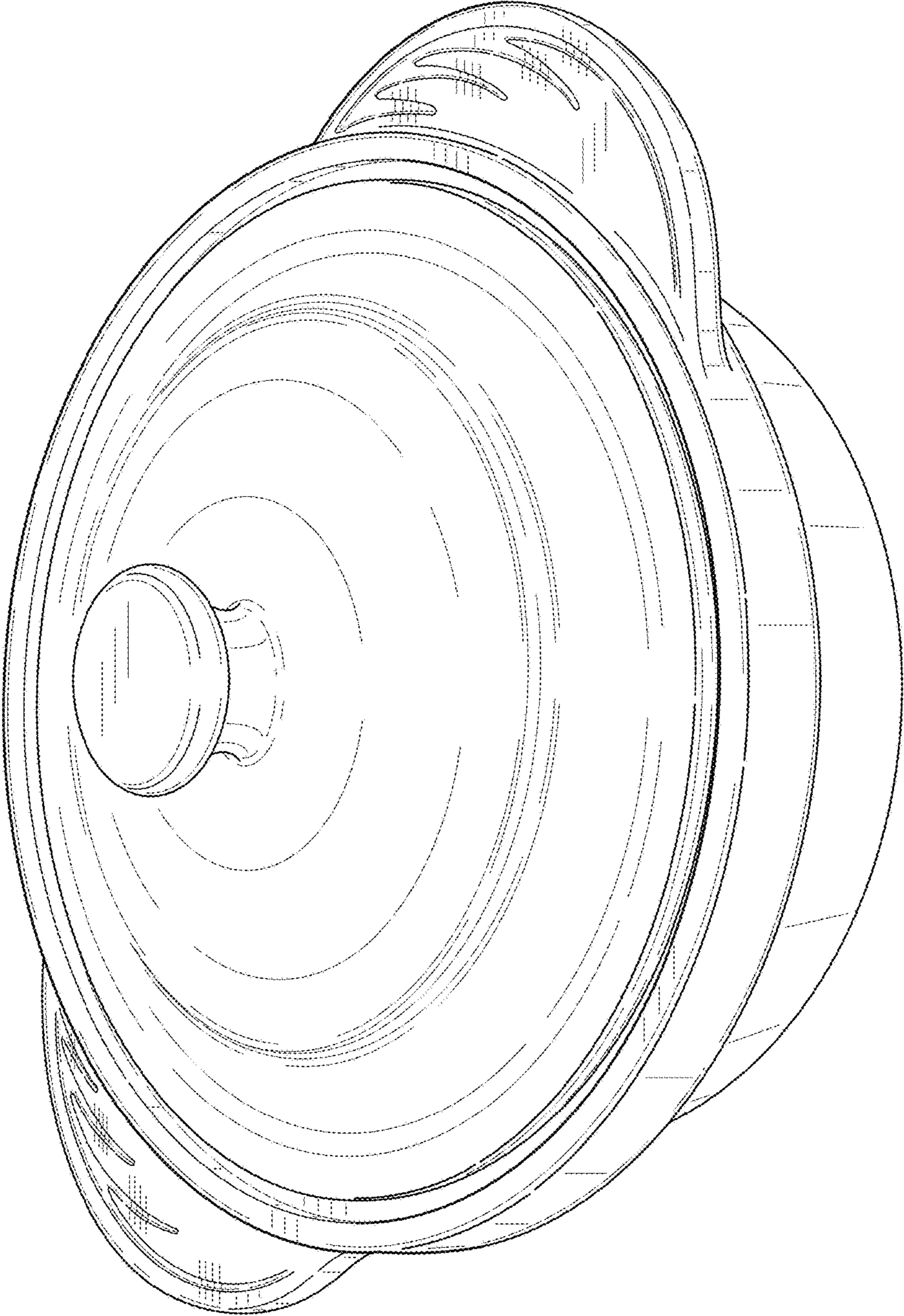


FIG. 1

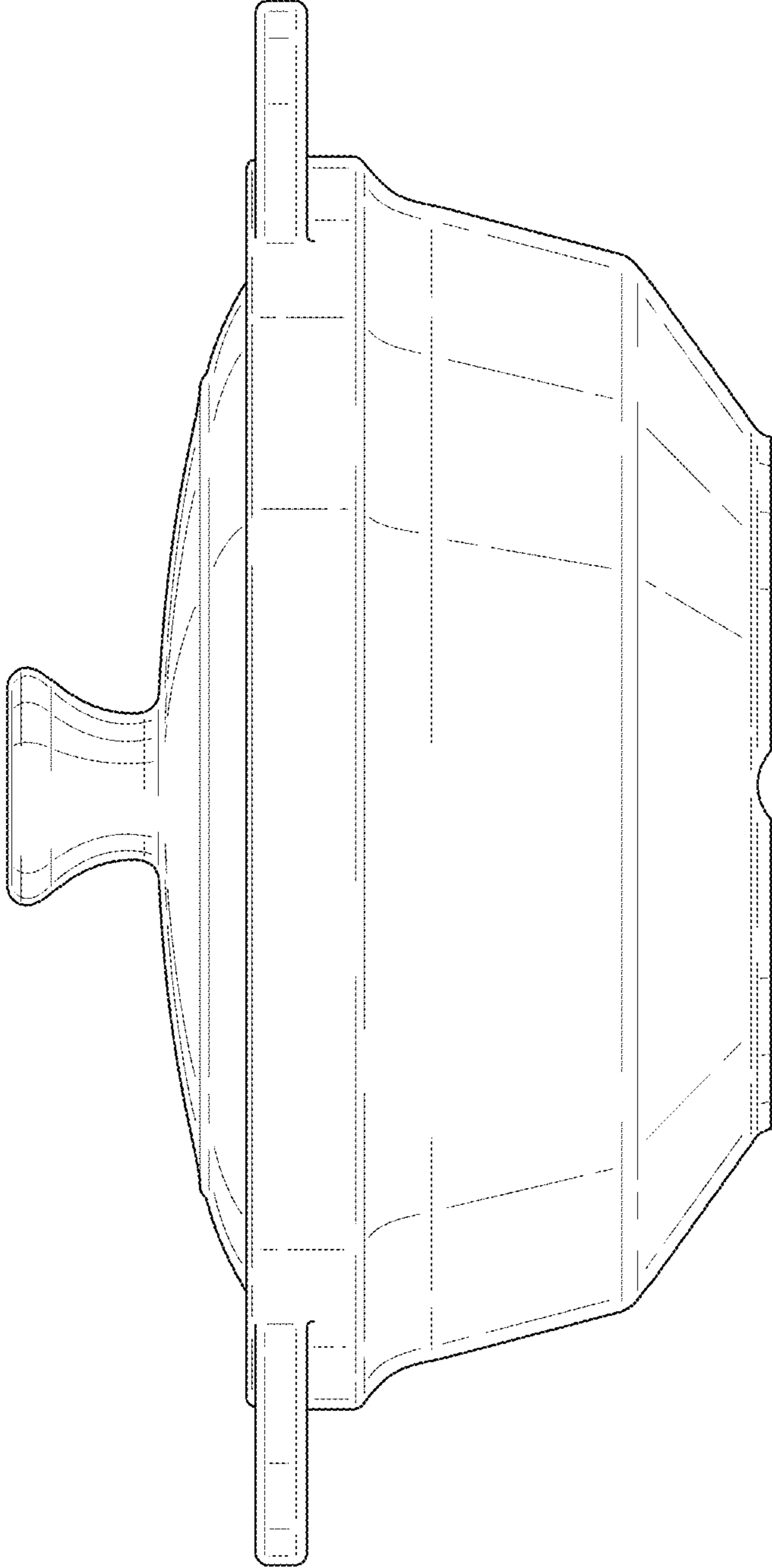


FIG. 2

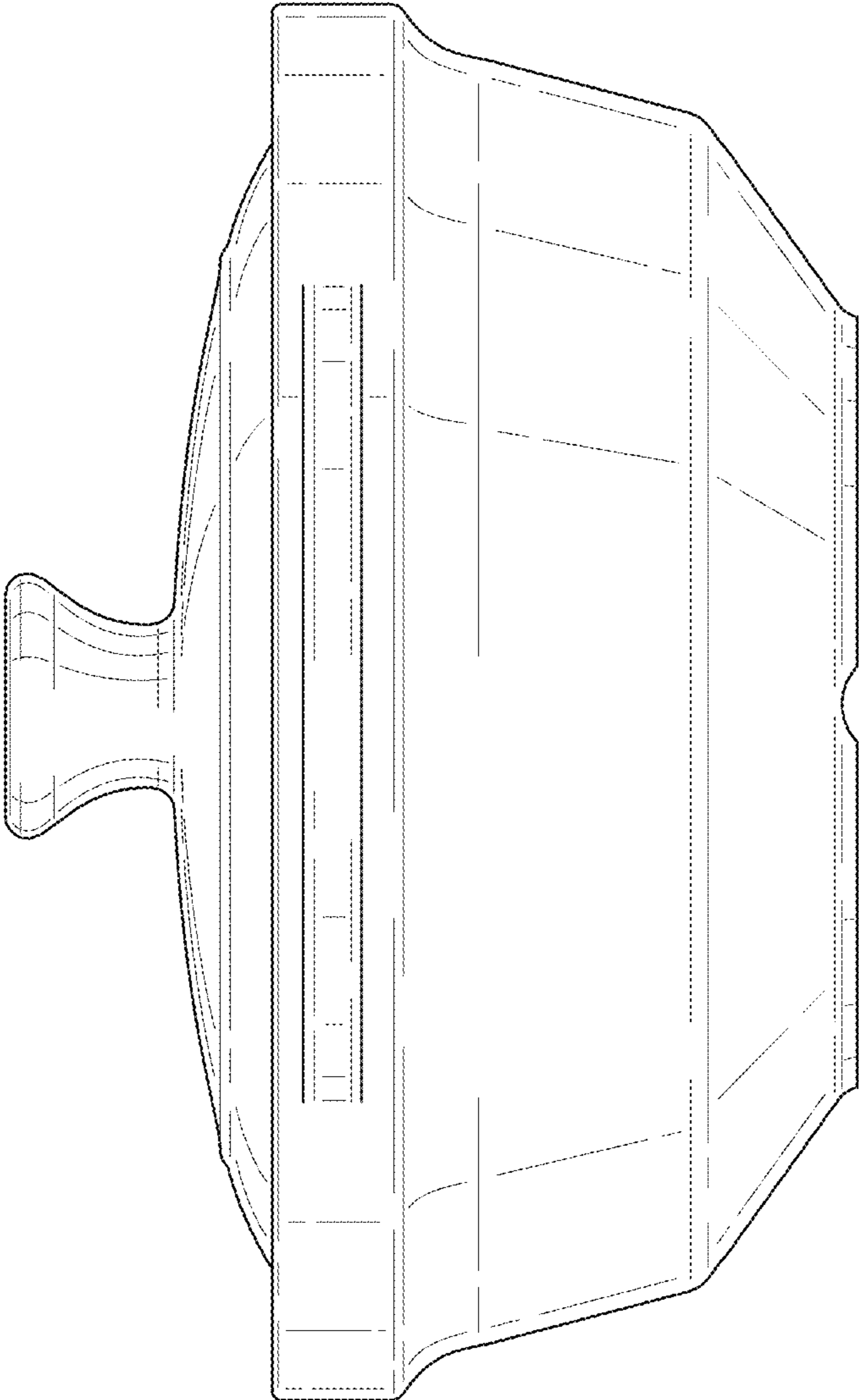


FIG. 3

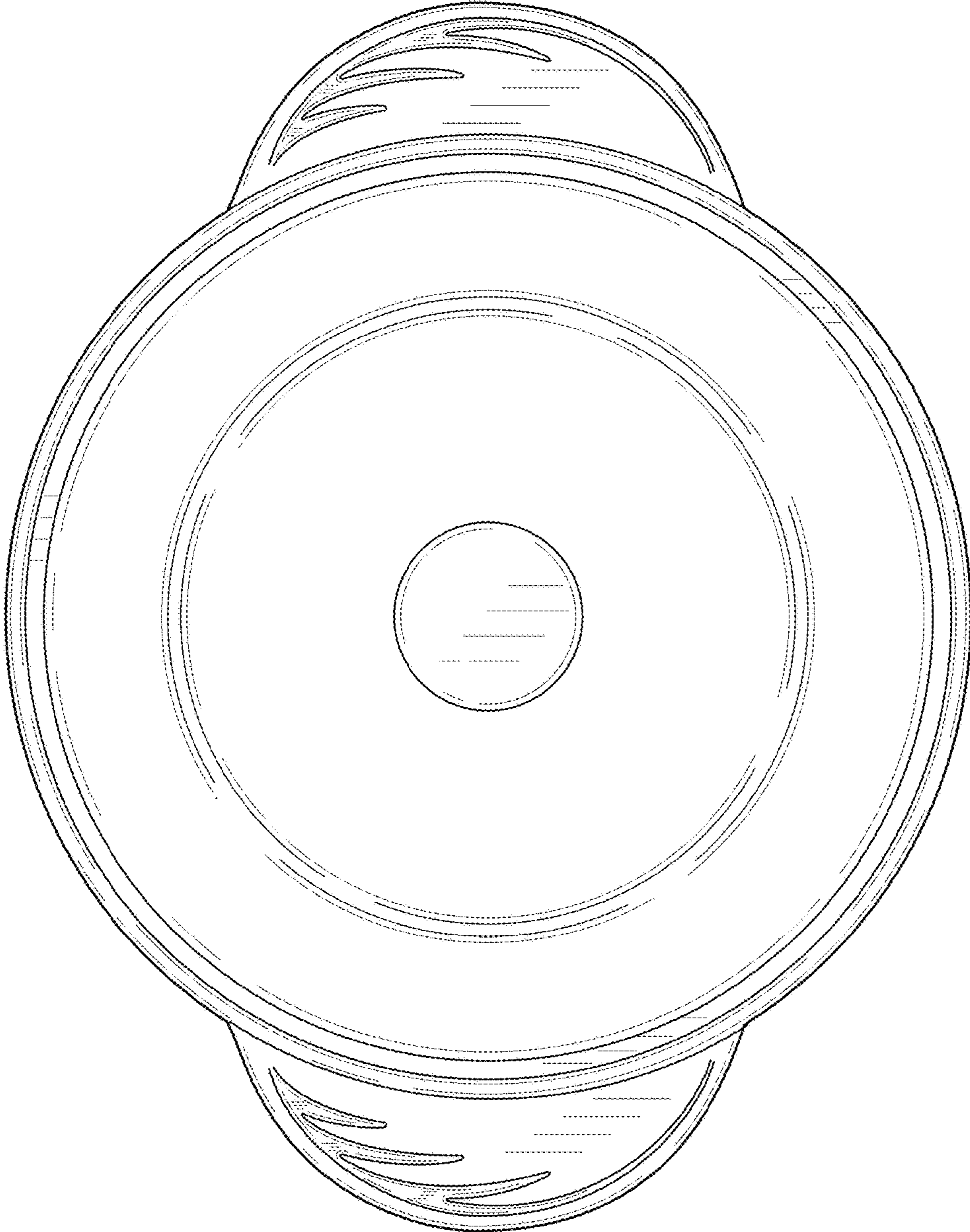


FIG. 4

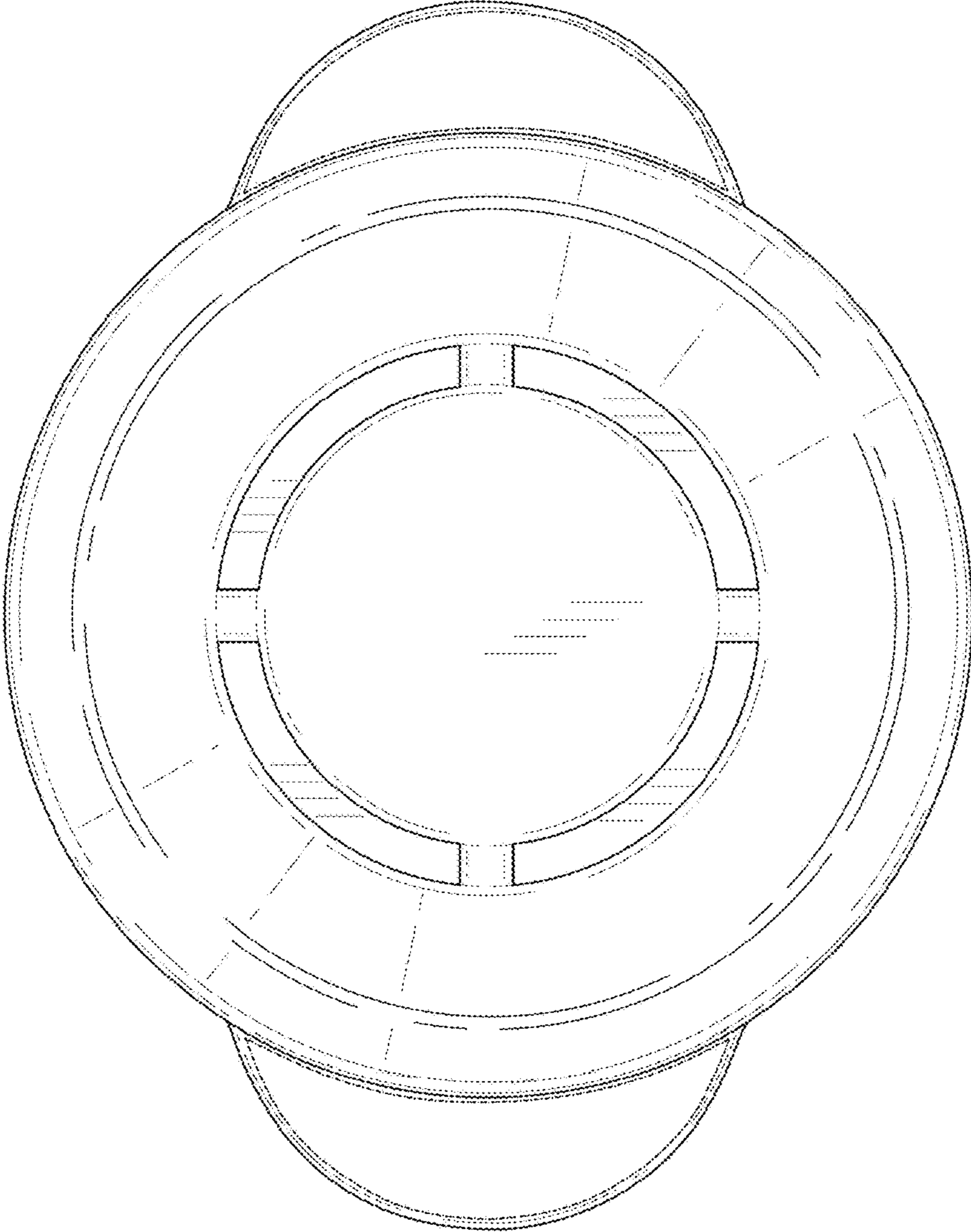


FIG. 5