



US00D837578S

(12) **United States Design Patent**
Rundle

(10) **Patent No.:** **US D837,578 S**
(45) **Date of Patent:** **** Jan. 8, 2019**

- (54) **TABLE**
- (71) Applicant: **CRASTER LIMITED**, London (GB)
- (72) Inventor: **Tim Rundle**, London (GB)
- (73) Assignee: **Craster Limited**, London (GB)
- (**) Term: **15 Years**
- (21) Appl. No.: **35/501,600**
- (22) Filed: **Jul. 26, 2016**
- (80) **Hague Agreement Data**
- Int. Filing Date: **Jul. 26, 2016**
- Int. Reg. No.: **DM/092397**
- Int. Reg. Date: **Jul. 26, 2016**
- Int. Reg. Pub. Date: **Sep. 23, 2016**
- (51) **LOC (11) Cl.** **06-03**
- (52) **U.S. Cl.**
- USPC **D6/686; D6/691**
- (58) **Field of Classification Search**
- USPC D6/685, 690, 691, 691.1-691.9, 697, D6/697.1, 697.2, 686
- CPC A47B 7/00; A47B 13/00; A47B 13/02; A47B 13/081; A47B 21/00; A47B 11/00
- See application file for complete search history.

(56) **References Cited**

U.S. PATENT DOCUMENTS

D354,643 S *	1/1995	Hansel	D6/647
D367,192 S *	2/1996	Frattini	D6/656
D376,712 S *	12/1996	Mezger	D6/656
6,026,751 A *	2/2000	Tsai	A47B 3/00
				108/115

(Continued)

OTHER PUBLICATIONS

Hans Verboom, Techno Citis flyer, Jan. 16, 2009, published at <http://www.space-os.co.uk/office-furniture/meeting-room-boardroom/pdf/Citis.pdf>.

Primary Examiner — Mary Ann Calabrese
(74) *Attorney, Agent, or Firm* — Young Basile Hanlon & MacFarlane, P.C.

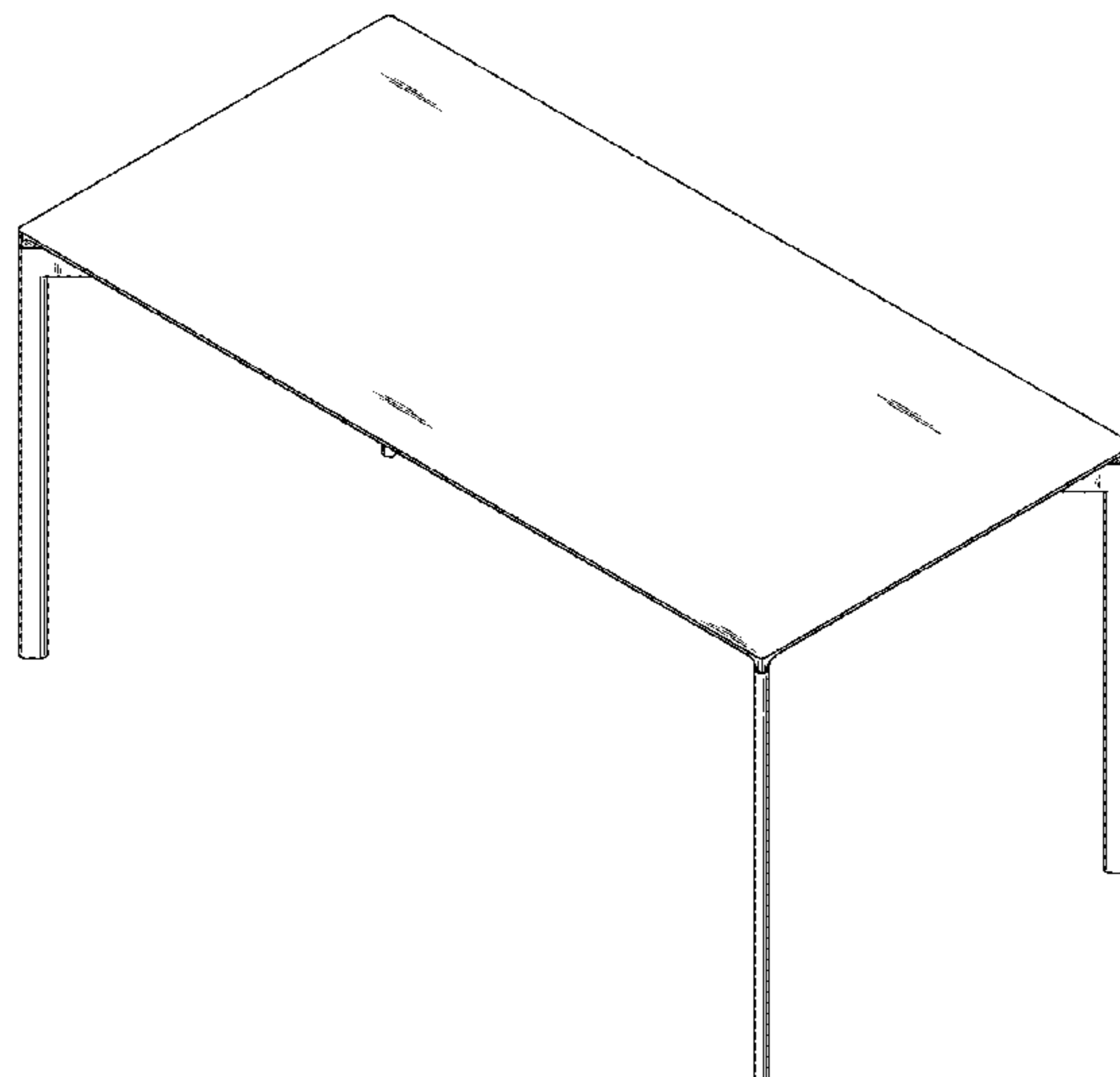
(57) **CLAIM**

The ornamental design for a table, as shown and described.

DESCRIPTION

- 1.-4. Tables
- 1.1 is a perspective view of a first embodiment of a table in an erected position.
- 1.2 is a bottom perspective view of the table of 1.1 in the erected position.
- 1.3 is a front view of the table of 1.1 in the erected position.
- 1.4 is a bottom view of the table of 1.1 in the erected position.
- 1.5 is a right side view of the table of 1.1 in the erected position.
- 1.6 is a perspective view of the table of 1.1 in a collapsed position.
- 1.7 is a front view of the table of 1.1 in a collapsed position.
- 1.8 is a top view of the table of 1.1 in a collapsed position.
- 2.1 is a perspective view of a second embodiment of a table in an erected position.
- 2.2 is a bottom perspective view of the table of 2.1 in the erected position.
- 2.3 is a front view of the table of 2.1 in the erected position.
- 2.4 is a bottom view of the table of 2.1 in the erected position.
- 2.5 is a perspective view of the table of 2.1 in a collapsed position.
- 2.6 is a front view of the table of 2.1 in the collapsed position.
- 2.7 is a top view of the table of 2.1 in the collapsed position.
- No protection is sought for the matter shown in dotted lines.

1 Claim, 11 Drawing Sheets



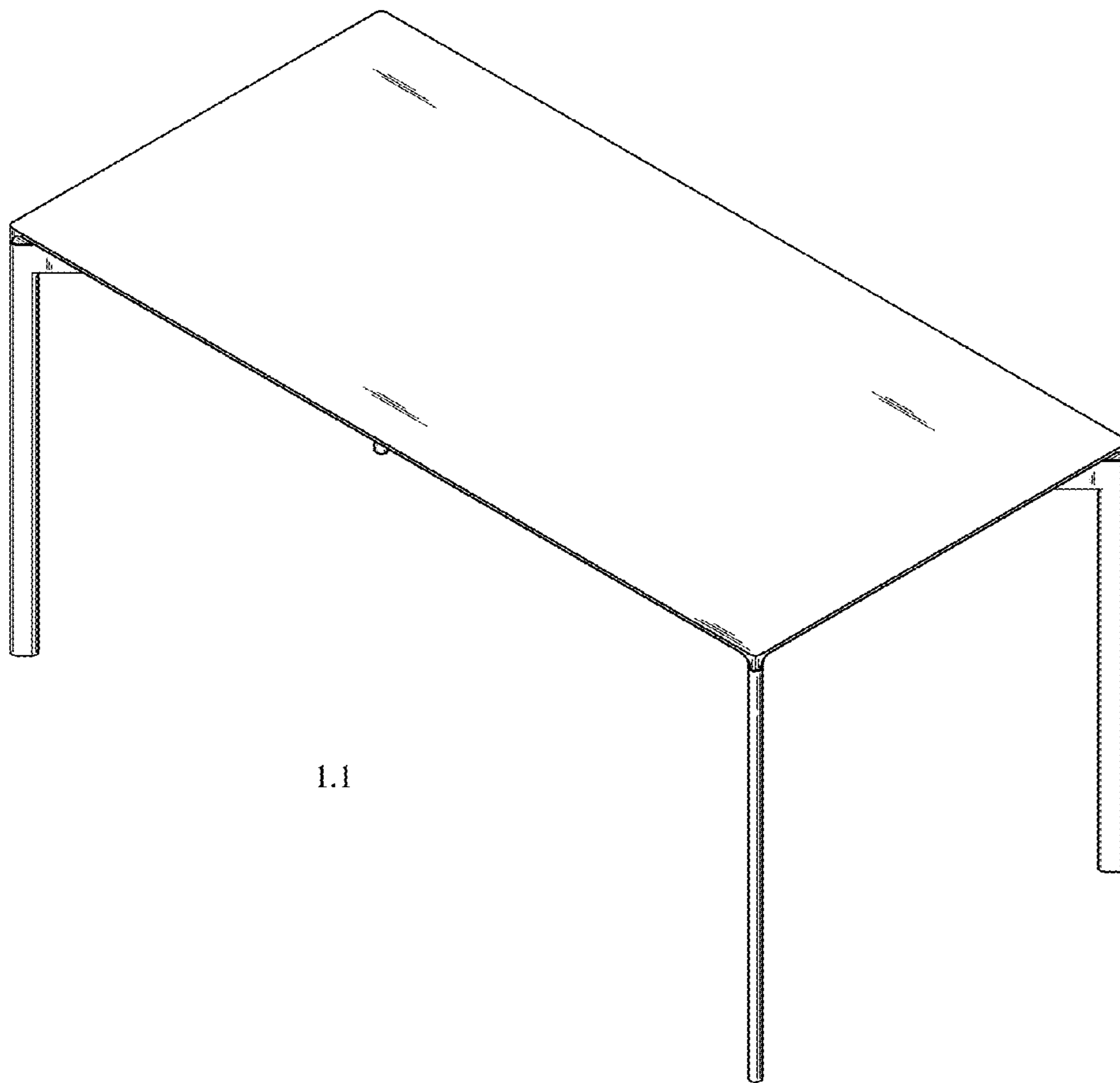
(56)

References Cited

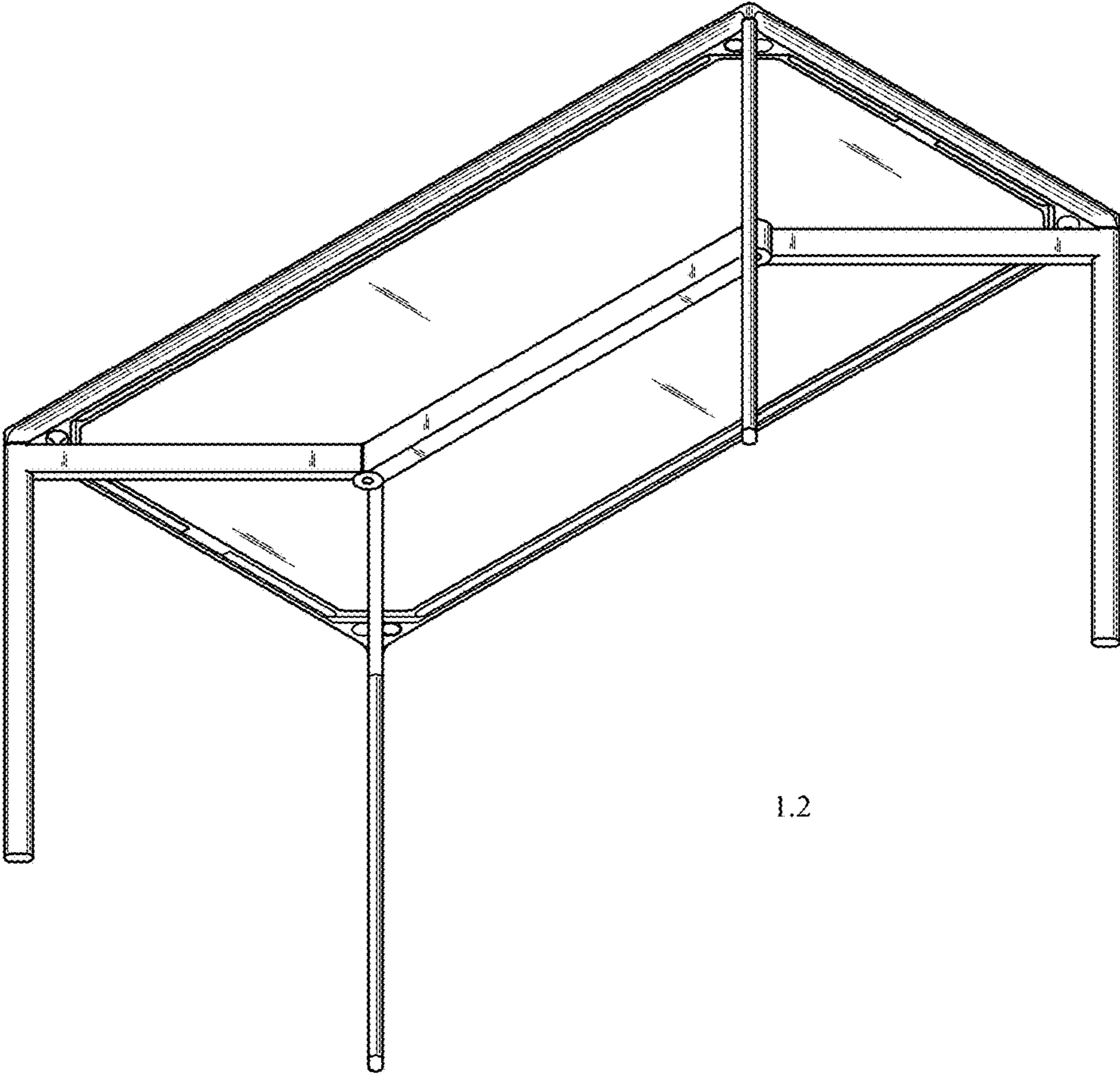
U.S. PATENT DOCUMENTS

D480,583 S * 10/2003 Risdall D6/697
D685,216 S * 7/2013 Stromborg D6/708
8,891,028 B2 * 11/2014 Harvey A47B 21/06
348/841
D775,875 S * 1/2017 Gaschy D6/691
D779,245 S * 2/2017 Hiyoshi D6/708
D786,591 S * 5/2017 Grabowski D6/691
D792,136 S * 7/2017 High D6/686
2013/0220188 A1 * 8/2013 Wei Siao A47B 13/02
108/158.11

* cited by examiner

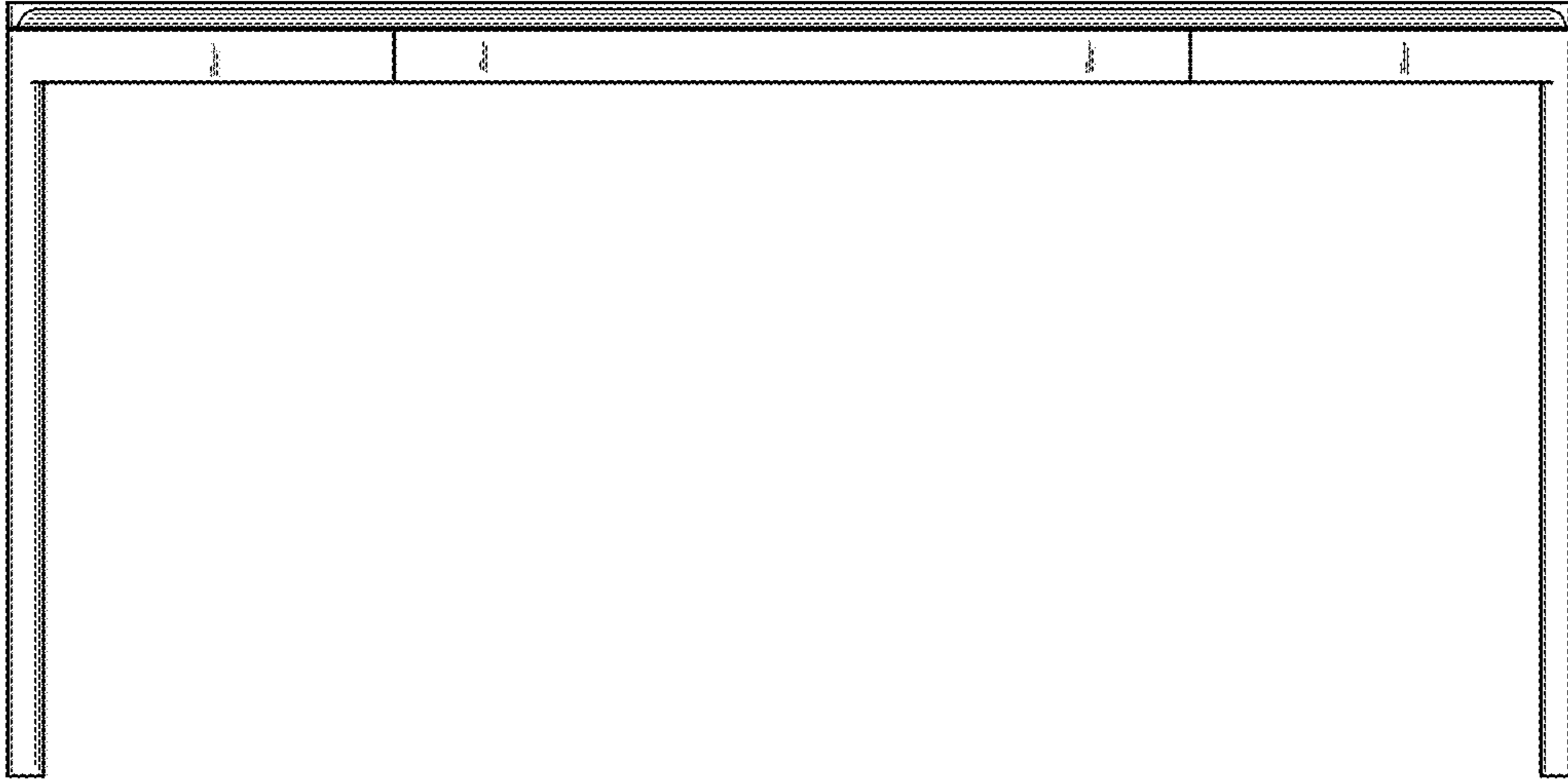


1.1

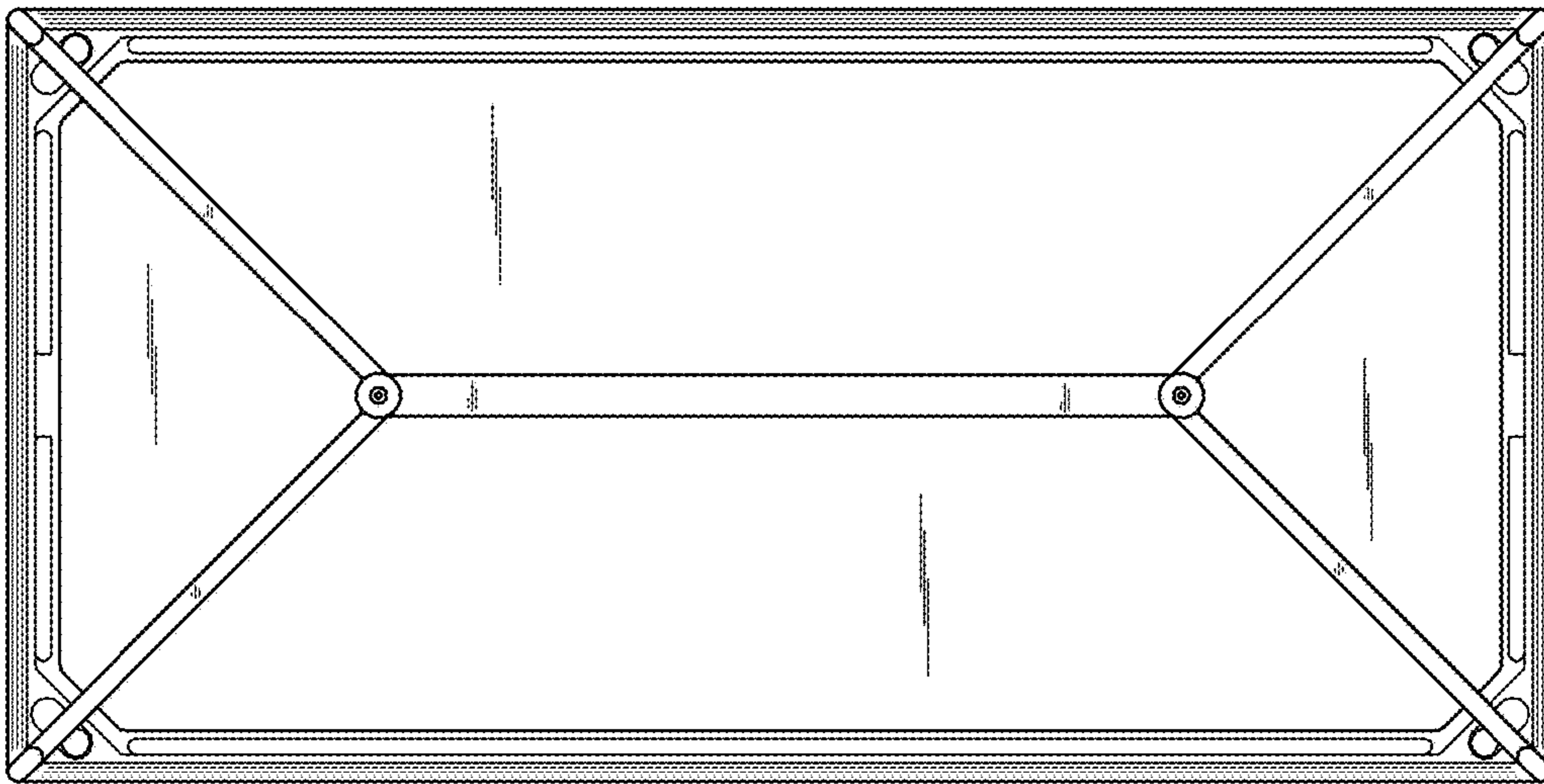


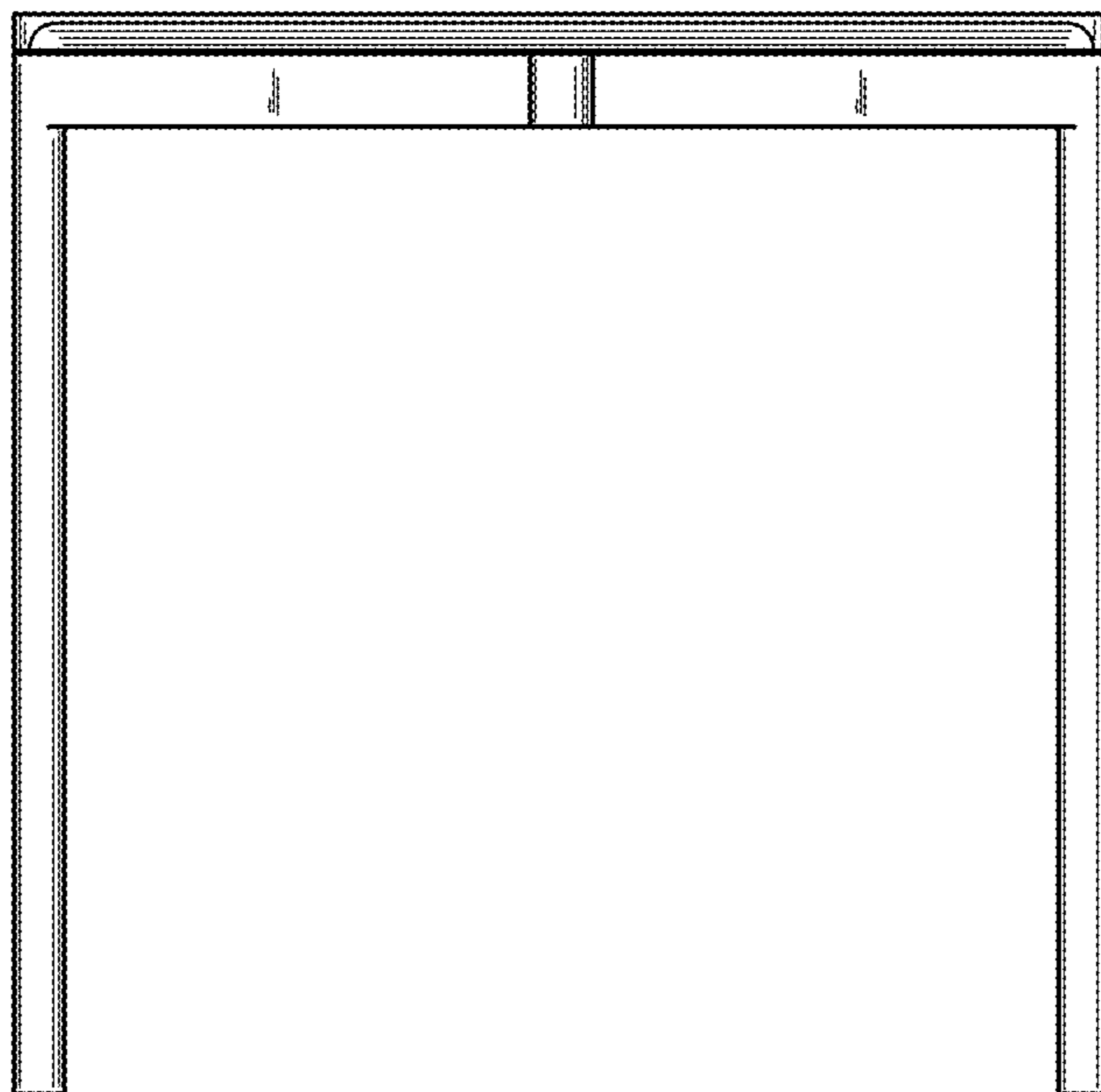
1.2

1.3

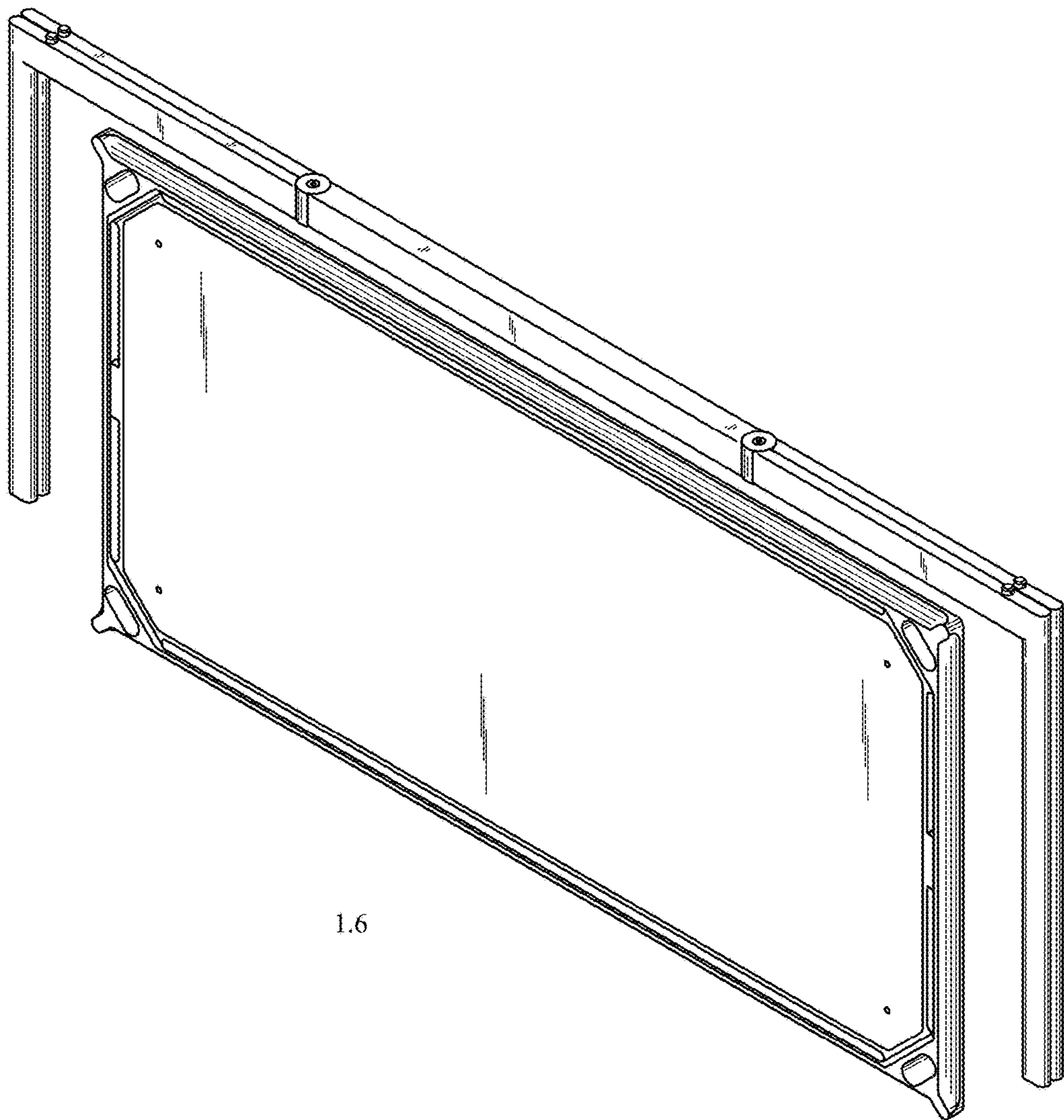


1.4



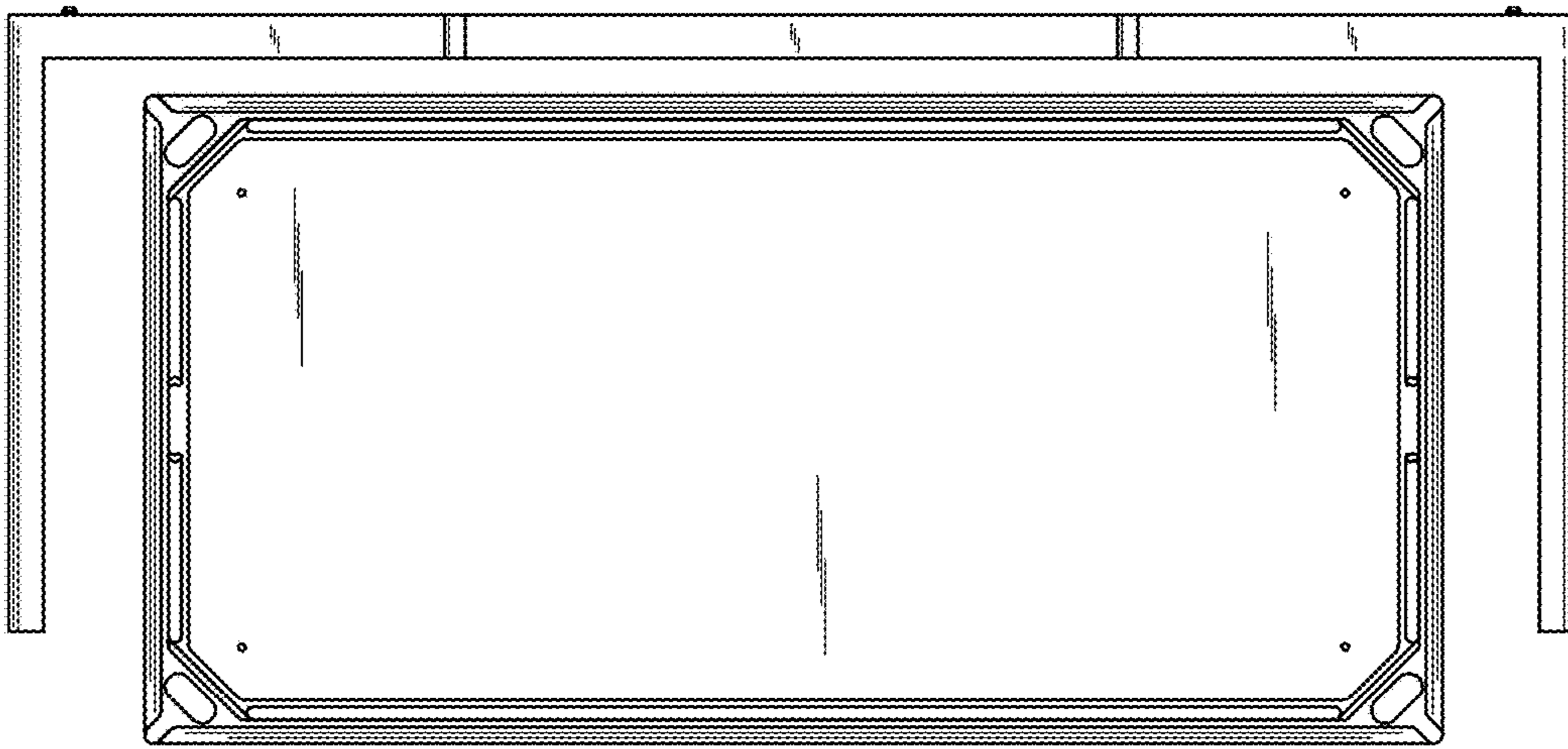


1.5

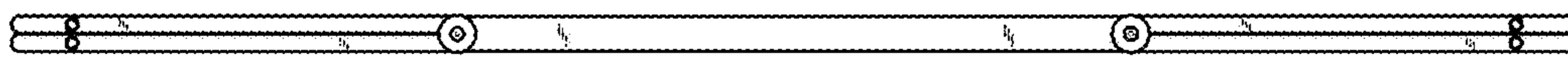


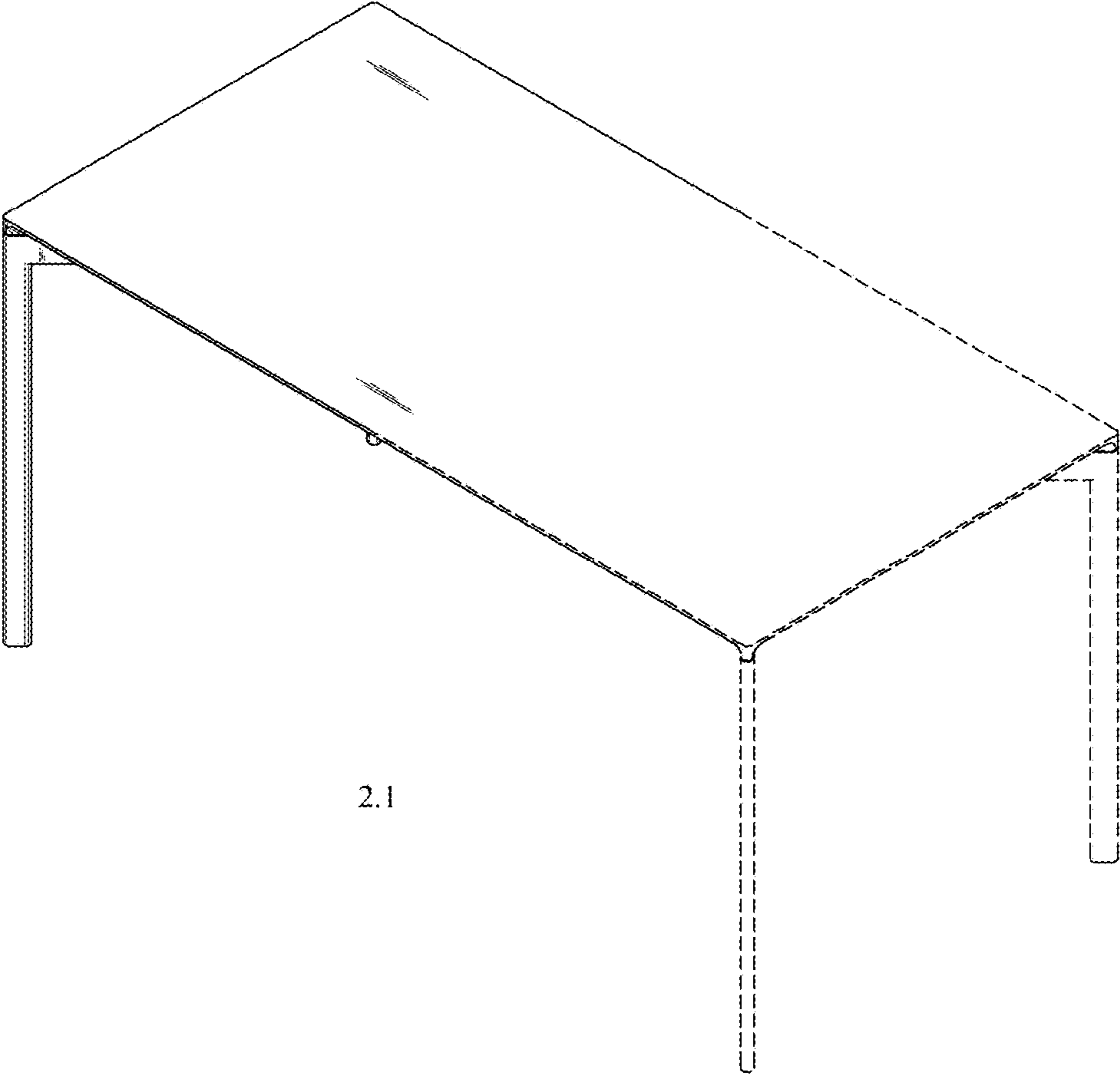
1.6

1.7

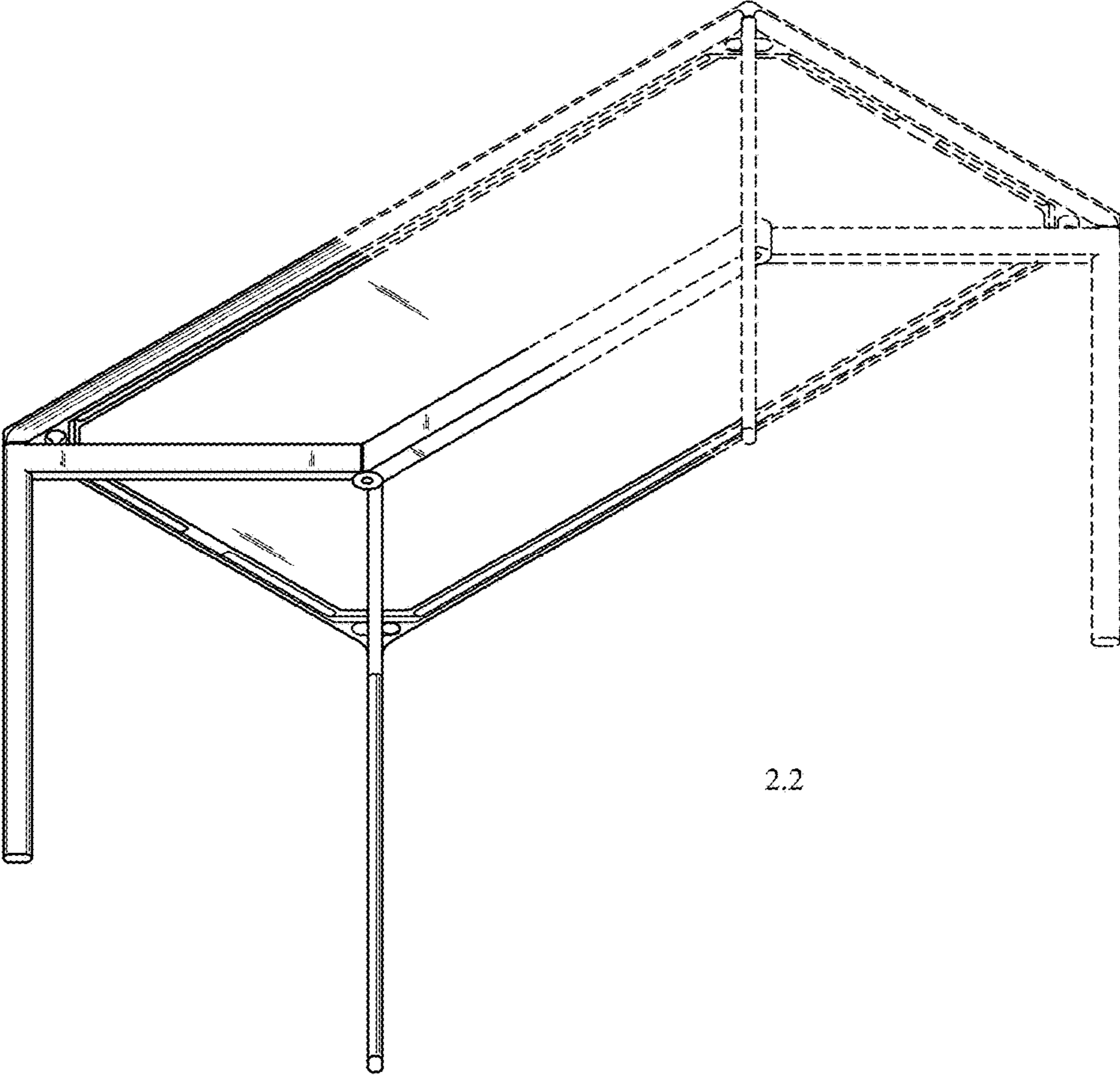


1.8



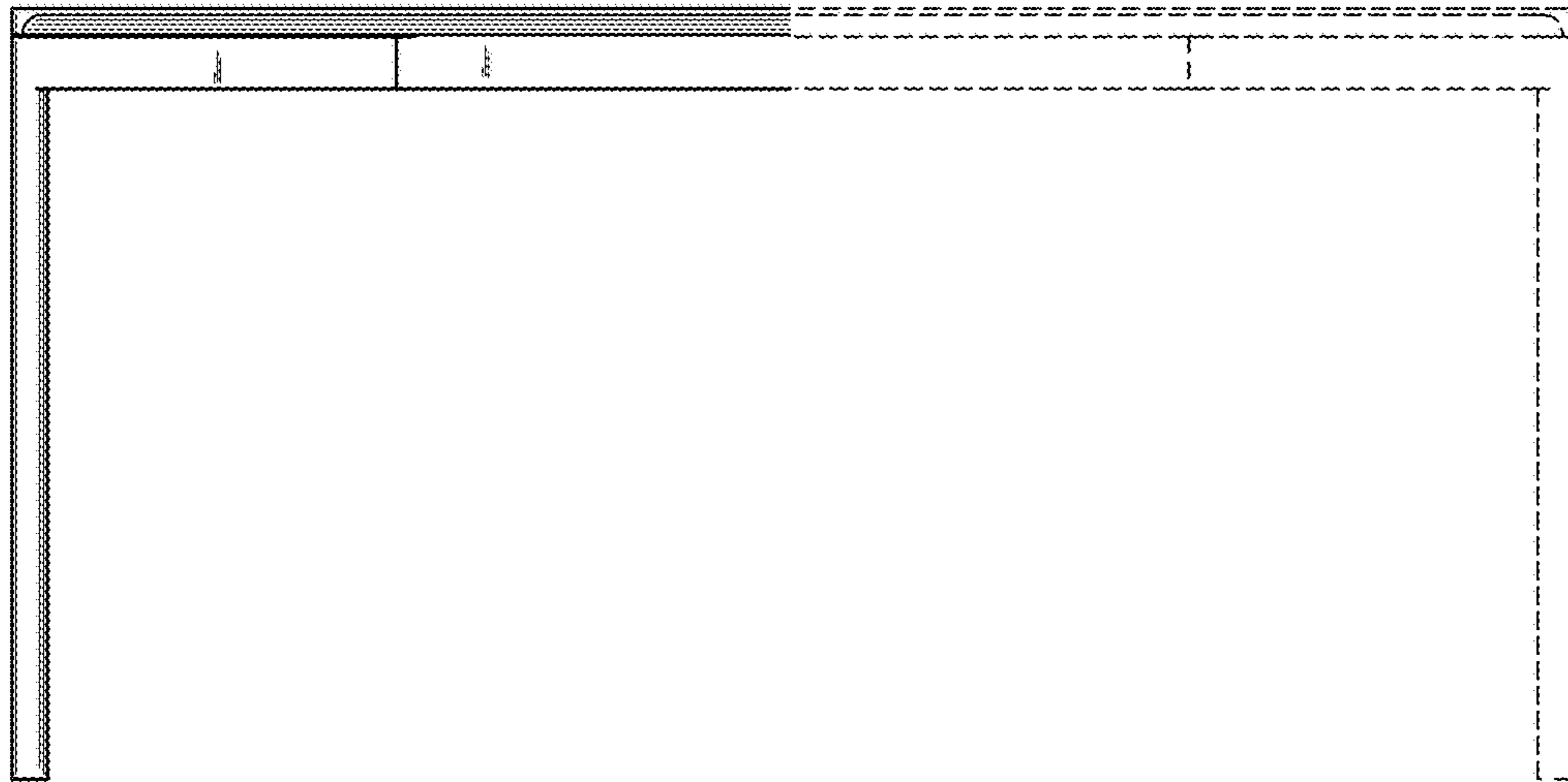


2.1

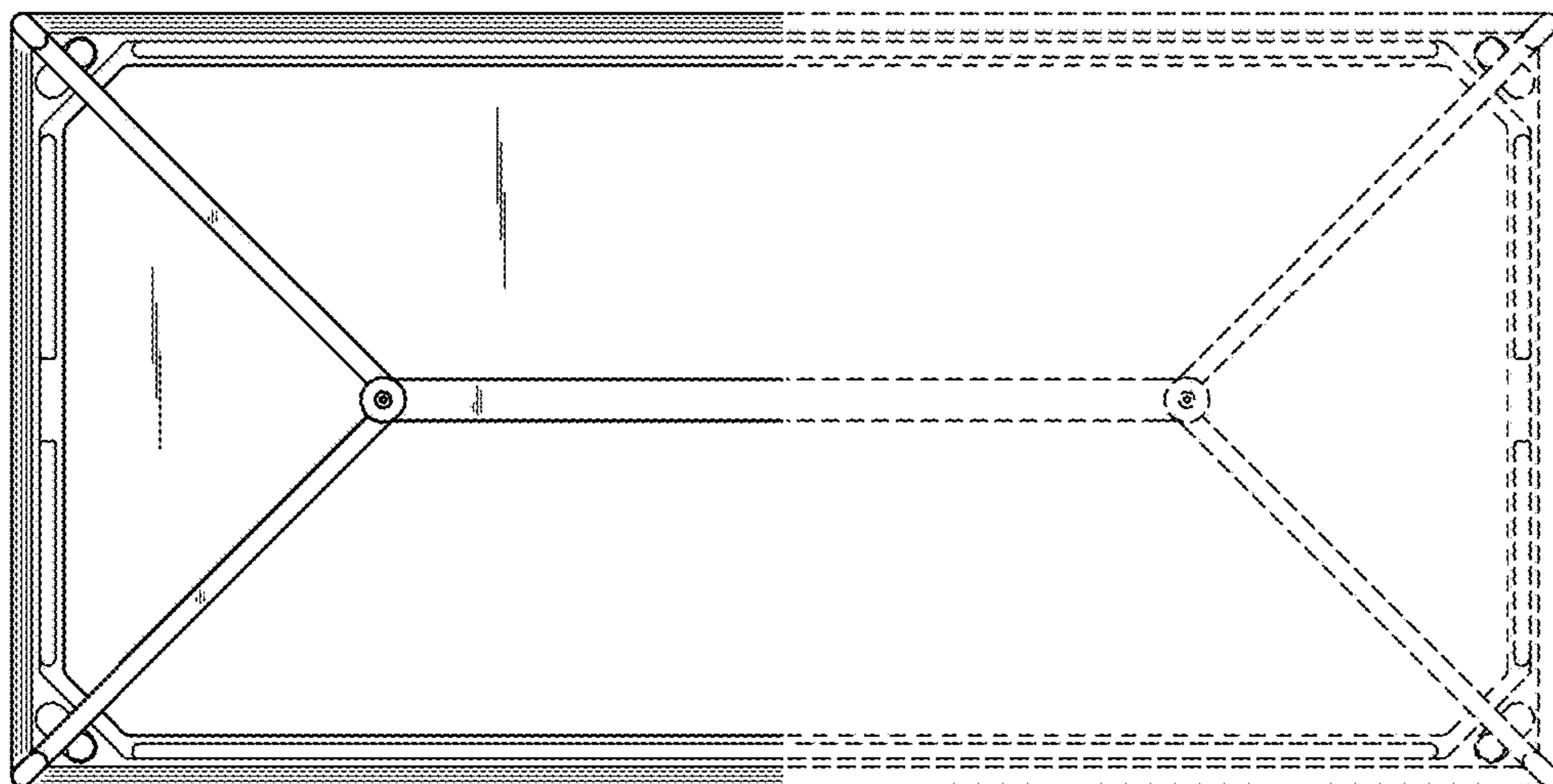


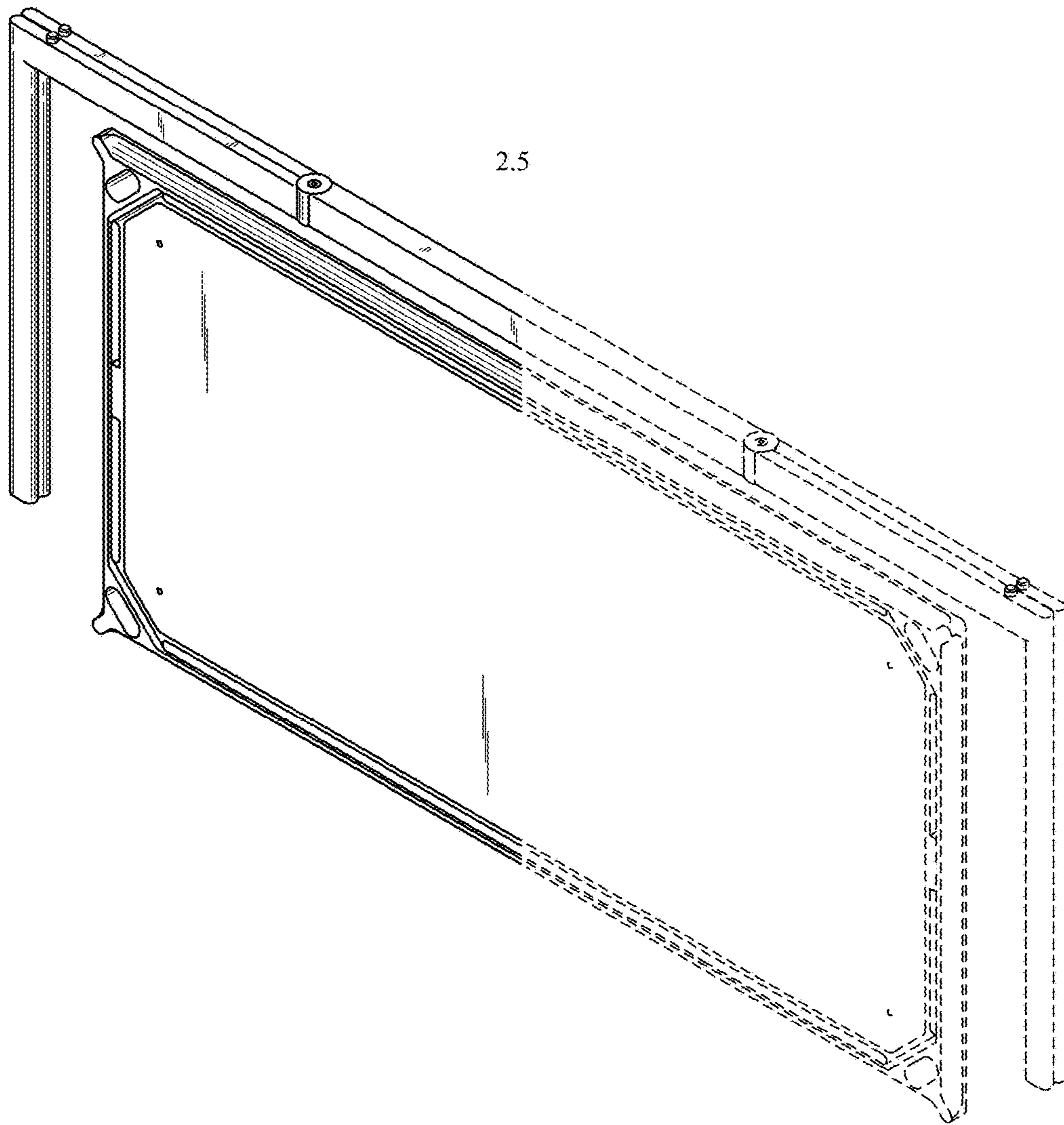
2.2

2.3

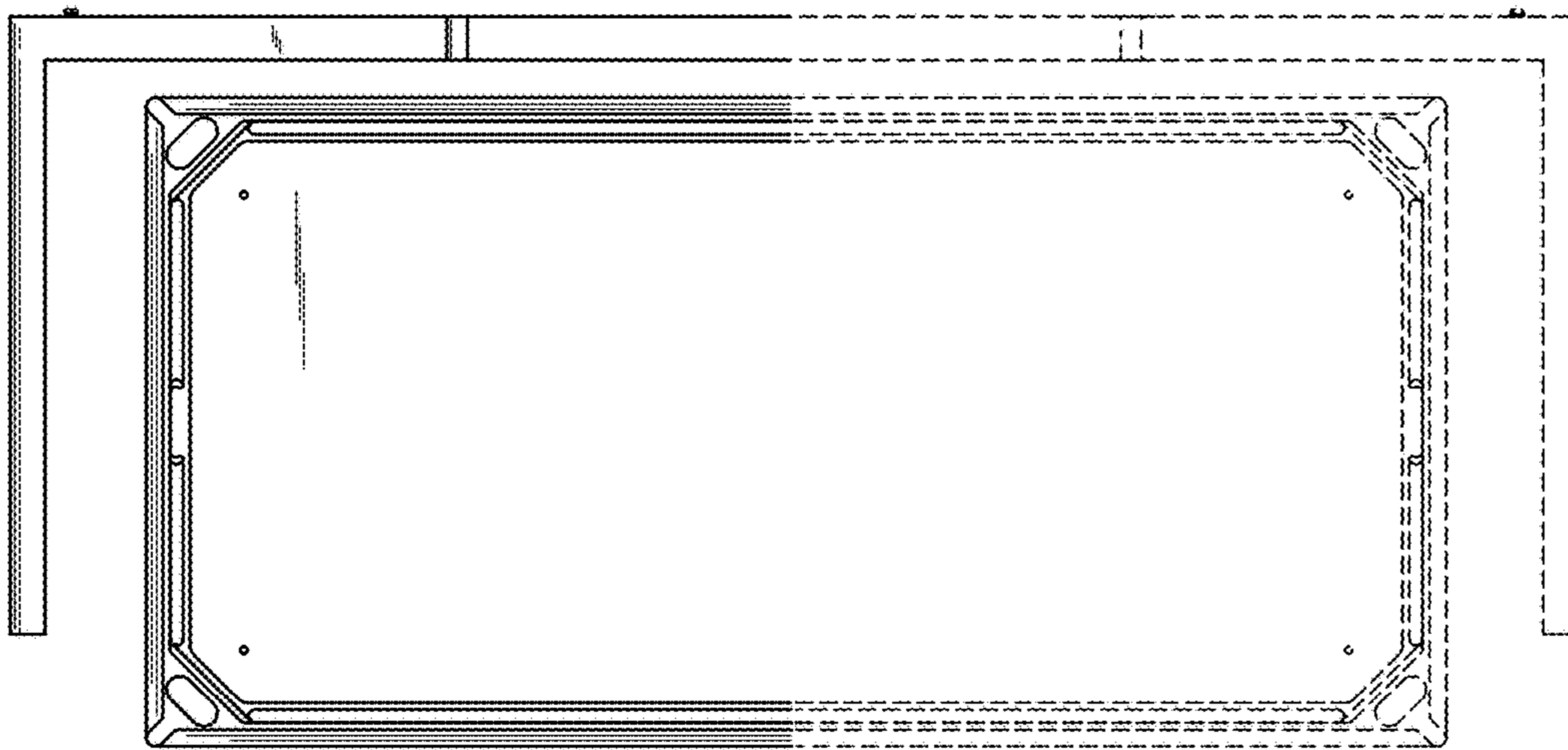


2.4





2.6



2.7

