

US00D837577S

(12) **United States Design Patent**
Silkaitis

(10) **Patent No.:** **US D837,577 S**

(45) **Date of Patent:** **** Jan. 8, 2019**

(54) **DISPLAY CONTAINER**

(71) Applicant: **Medline Industries, Inc.**, Northfield, IL (US)

(72) Inventor: **Thomas Silkaitis**, Lake Zurich, IL (US)

(73) Assignee: **Medline Industries, Inc.**, Northfield, IL (US)

(**) Term: **15 Years**

(21) Appl. No.: **29/601,239**

(22) Filed: **Apr. 20, 2017**

(51) **LOC (11) Cl.** **06-06**

(52) **U.S. Cl.**
USPC **D6/683**

(58) **Field of Classification Search**
USPC D7/589; D6/705, 515, 517, 619.1, 619.2, D6/675, 683
CPC A47F 7/00; A47F 7/18; B65D 1/22; B65D 1/24; B65D 85/18
See application file for complete search history.

(56) **References Cited**

U.S. PATENT DOCUMENTS

3,171,347	A *	3/1965	Elrod	B65B 27/083
					100/1
D251,360	S *	3/1979	Collin	D9/432
D256,642	S *	9/1980	Lovell	D6/515
D263,121	S *	2/1982	Lowry	D9/432
D277,532	S *	2/1985	Duhamel	D34/17
D288,394	S *	2/1987	Canter	D6/683
4,962,859	A	10/1990	Kump		
D320,556	S *	10/1991	Fairhurst	D6/559
5,092,467	A	3/1992	Elward		
5,105,945	A	4/1992	Carver		
D344,838	S *	3/1994	Hakansson	D3/304
D352,855	S *	11/1994	Wolff	D6/515
D356,680	S *	3/1995	Edgerton, Jr.	D3/313
6,149,111	A	11/2000	Epstein		

D444,965	S *	7/2001	Miller	D6/682.4
D457,352	S *	5/2002	Hansen	D7/701
D469,974	S *	2/2003	Scribner	D6/407
D474,923	S *	5/2003	Johnson	D6/407
D479,062	S *	9/2003	Meyer	D34/38
D529,311	S *	10/2006	Waldron	D6/683
7,422,296	B2	9/2008	Williquette et al.		
8,025,187	B2	9/2011	Sottosanti, Jr. et al.		
D666,903	S *	9/2012	McIntosh	D9/418
D689,718	S *	9/2013	Puckett	D6/683
D697,793	S *	1/2014	Levy	D9/423
D781,625	S *	3/2017	Poniatowski	D6/683
D783,395	S *	4/2017	Wang	D9/418

(Continued)

OTHER PUBLICATIONS

“Photo of Display Box”, Medline Display Box; SensiCare Ice—shown displaying Curad Exam Gloves; Unknown Publication Date but prior to filing of present application.

Primary Examiner — Kelley A Donnelly
(74) *Attorney, Agent, or Firm* — Philip H. Burrus, IV

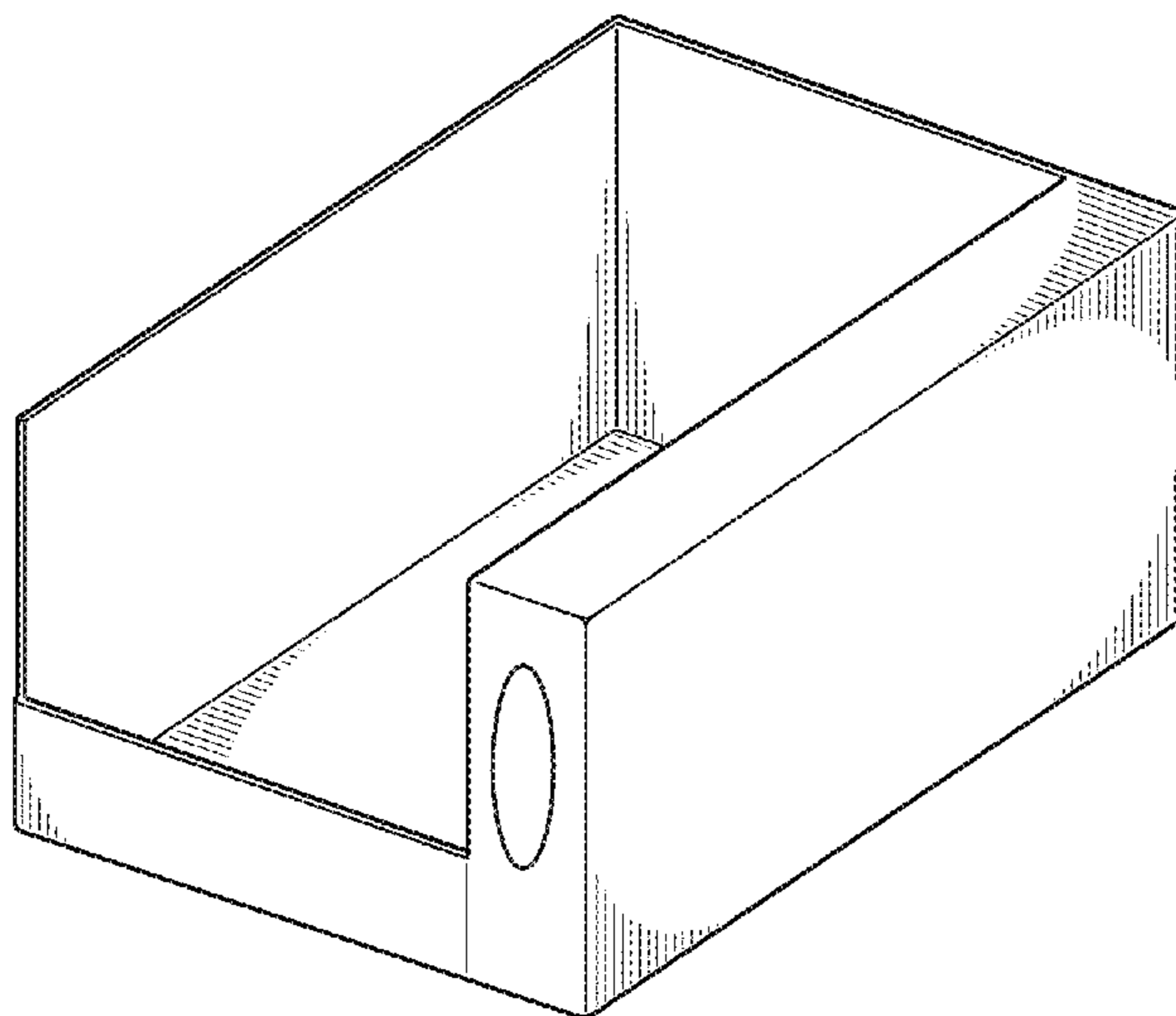
(57) **CLAIM**

The ornamental design for a display container, as shown and described.

DESCRIPTION

FIG. 1 is a perspective view of a first embodiment of a display container, showing my new design; FIG. 2 is a front elevation view thereof; FIG. 3 is a right side elevation view thereof; FIG. 4 is a left side elevation view thereof; FIG. 5 is a rear elevation view thereof; FIG. 6 is a top plan view thereof; FIG. 7 is a bottom plan view thereof; and, FIG. 8 is another perspective view thereof. Dashed lines are included for the purpose of illustrating use and environment and form no part of the claimed design.

1 Claim, 4 Drawing Sheets



(56)

References Cited

U.S. PATENT DOCUMENTS

D795,060	S	*	8/2017	Talios	D9/432
2006/0186184	A1		8/2006	Jourdain	
2008/0308572	A1		12/2008	Gillespie et al.	
2012/0279992	A1		11/2012	Wilder	
2016/0338487	A1		11/2016	McGrane et al.	

* cited by examiner

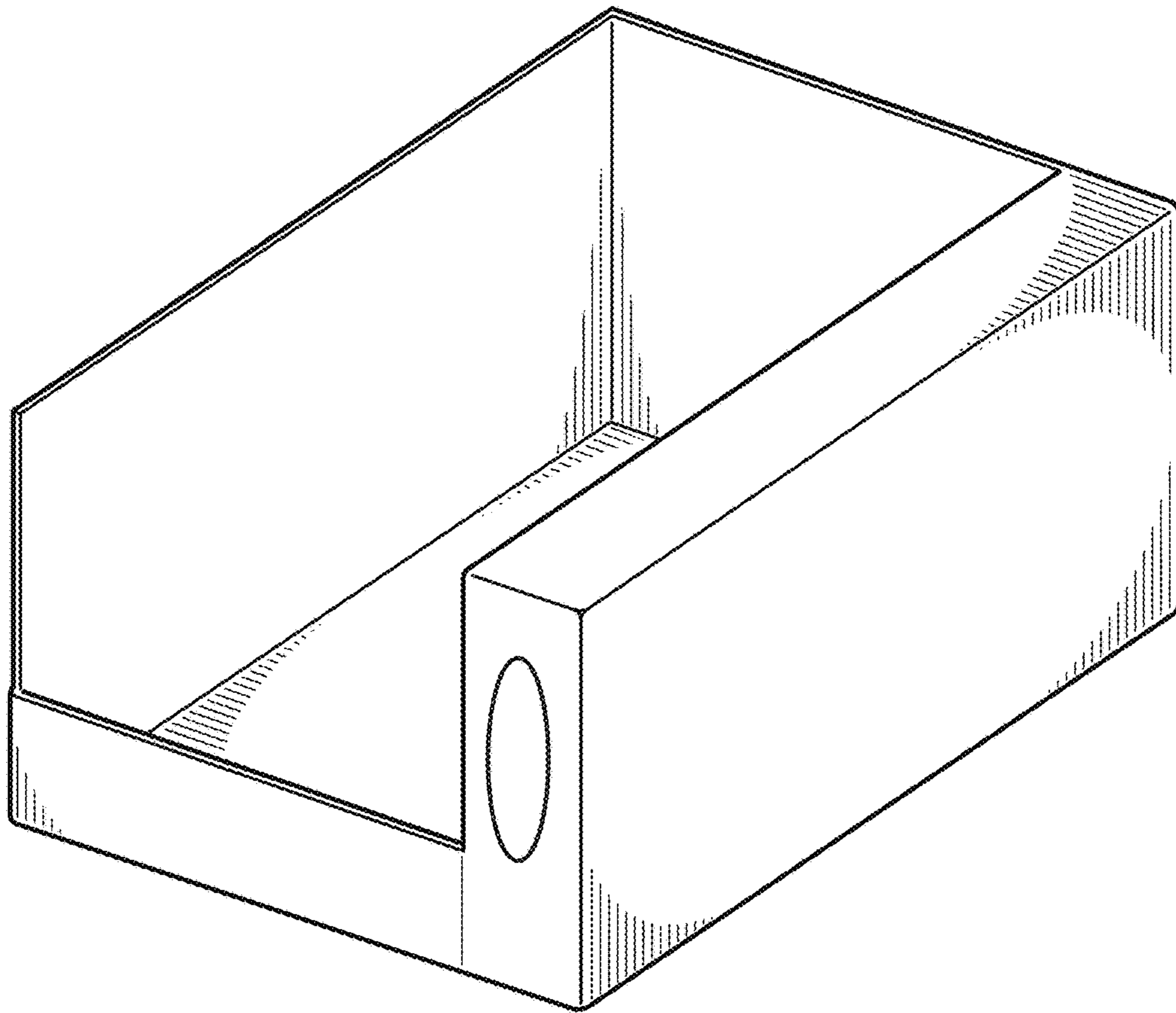


FIG. 1

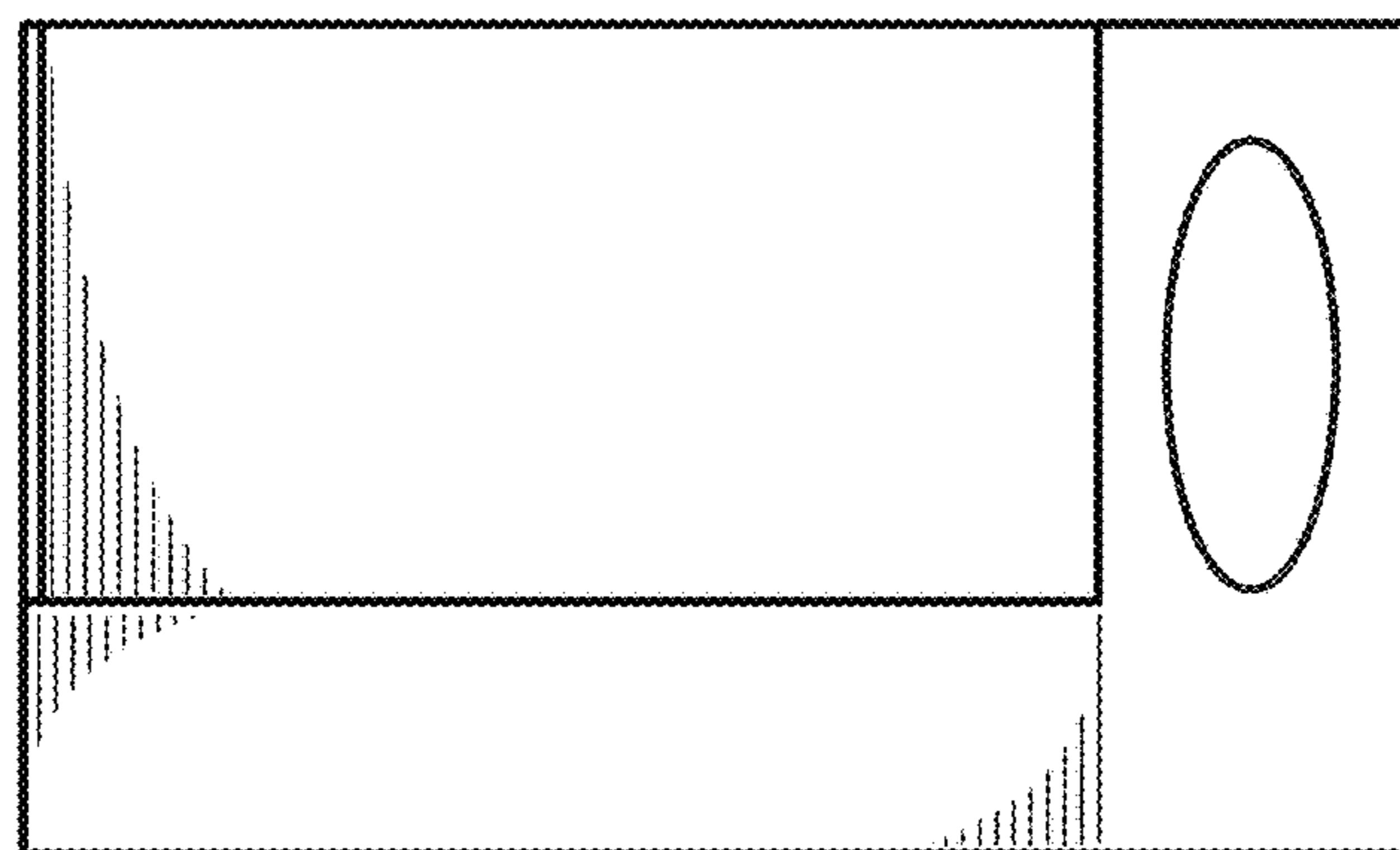


FIG. 2



FIG. 3

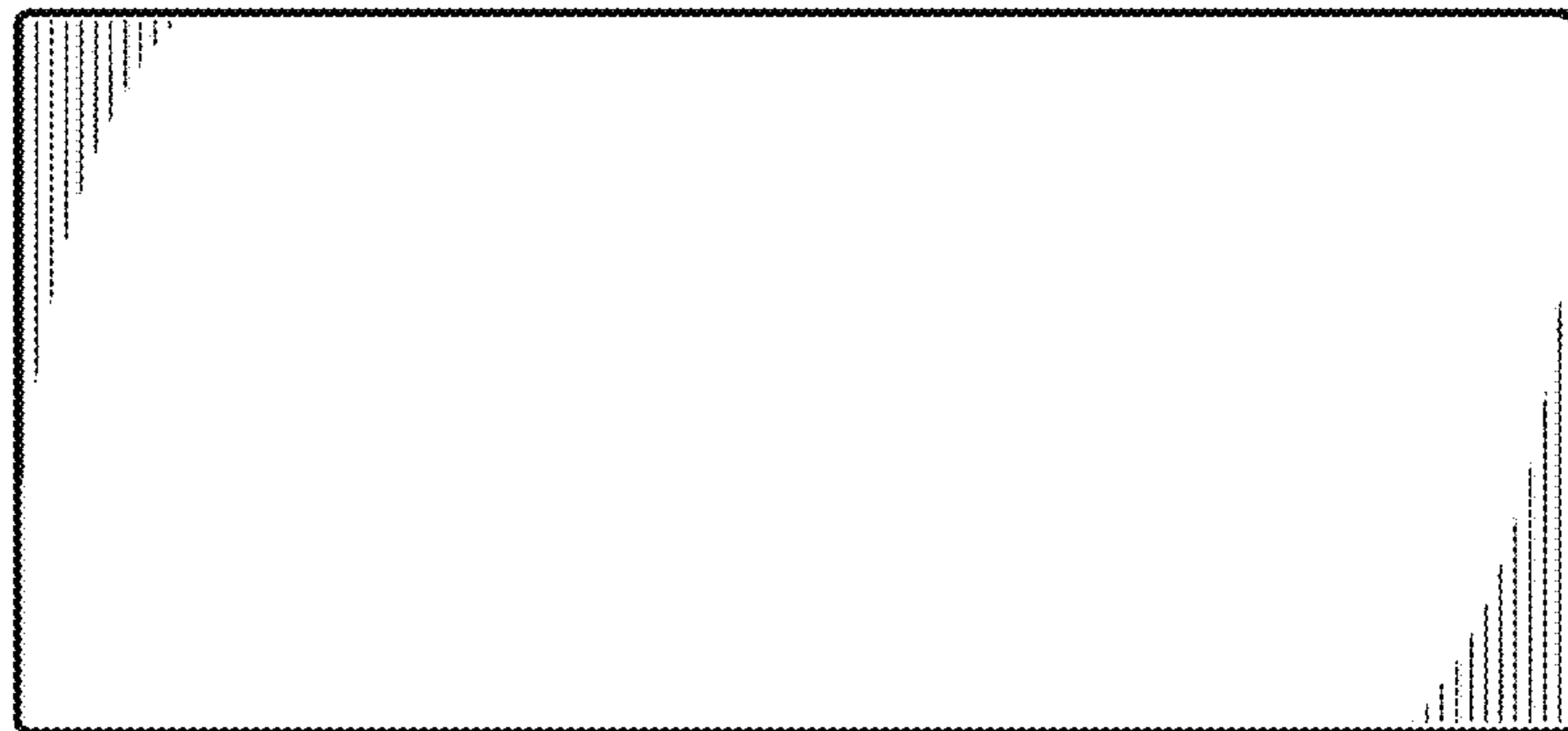


FIG. 4

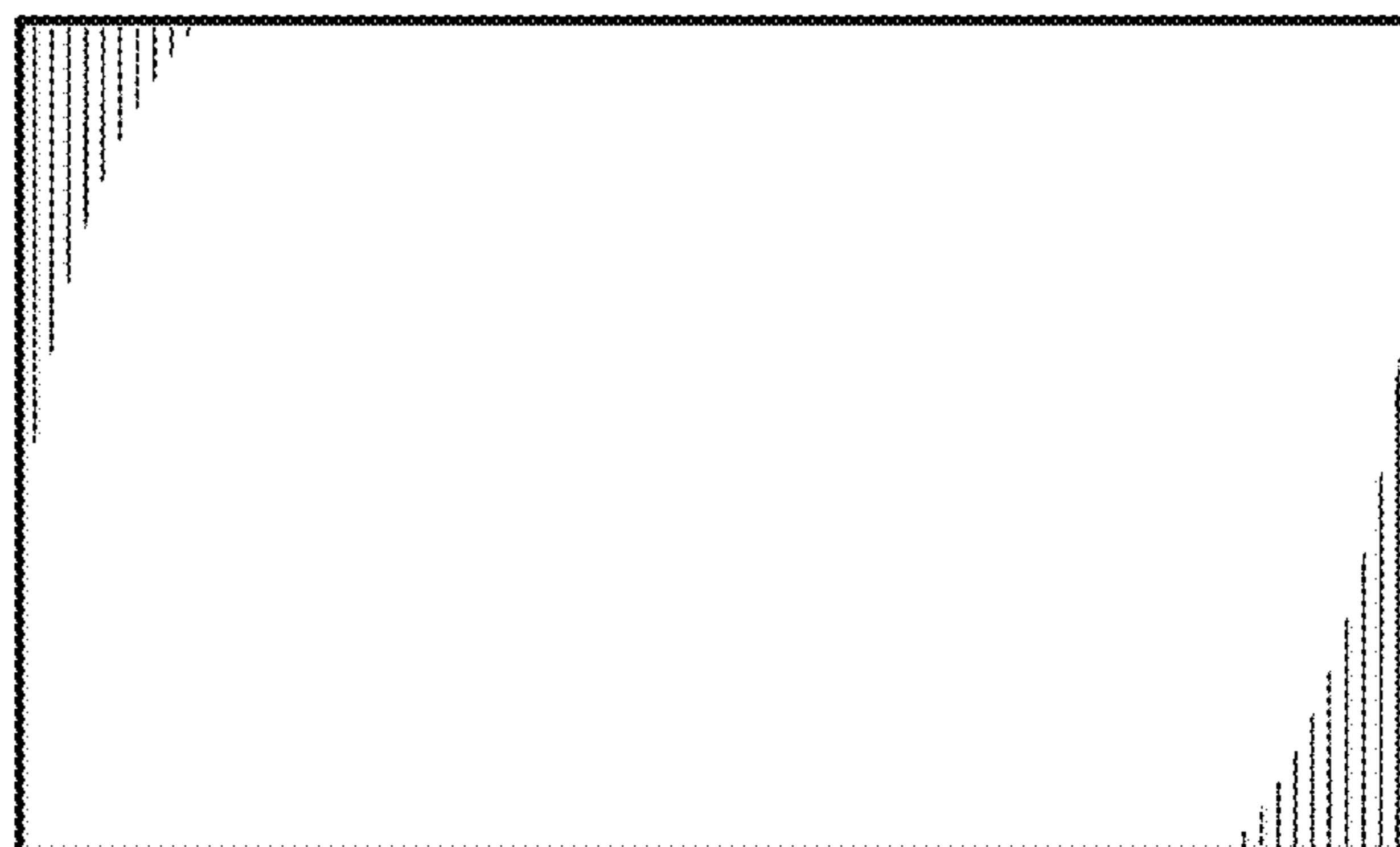


FIG. 5

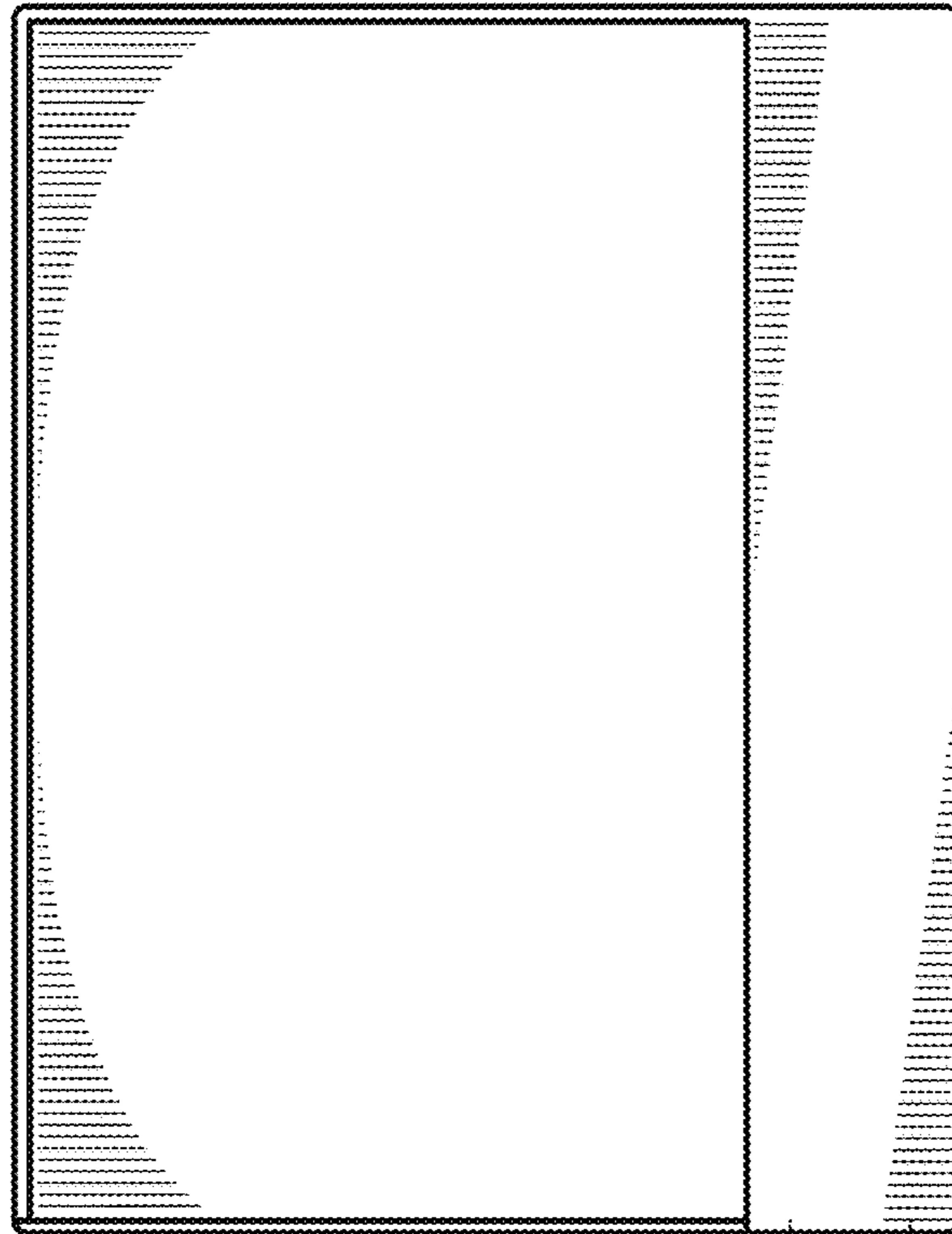


FIG. 6

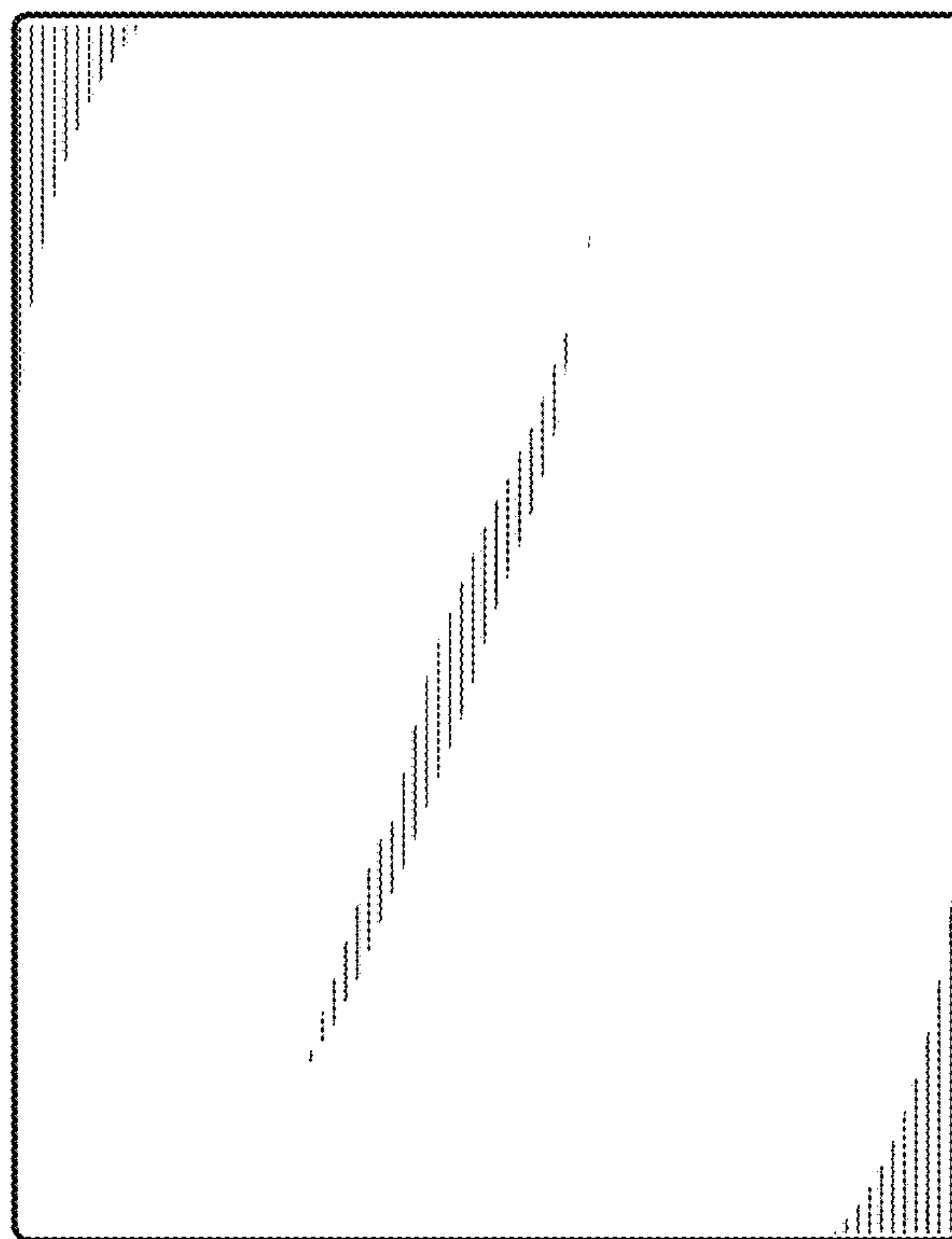


FIG. 7

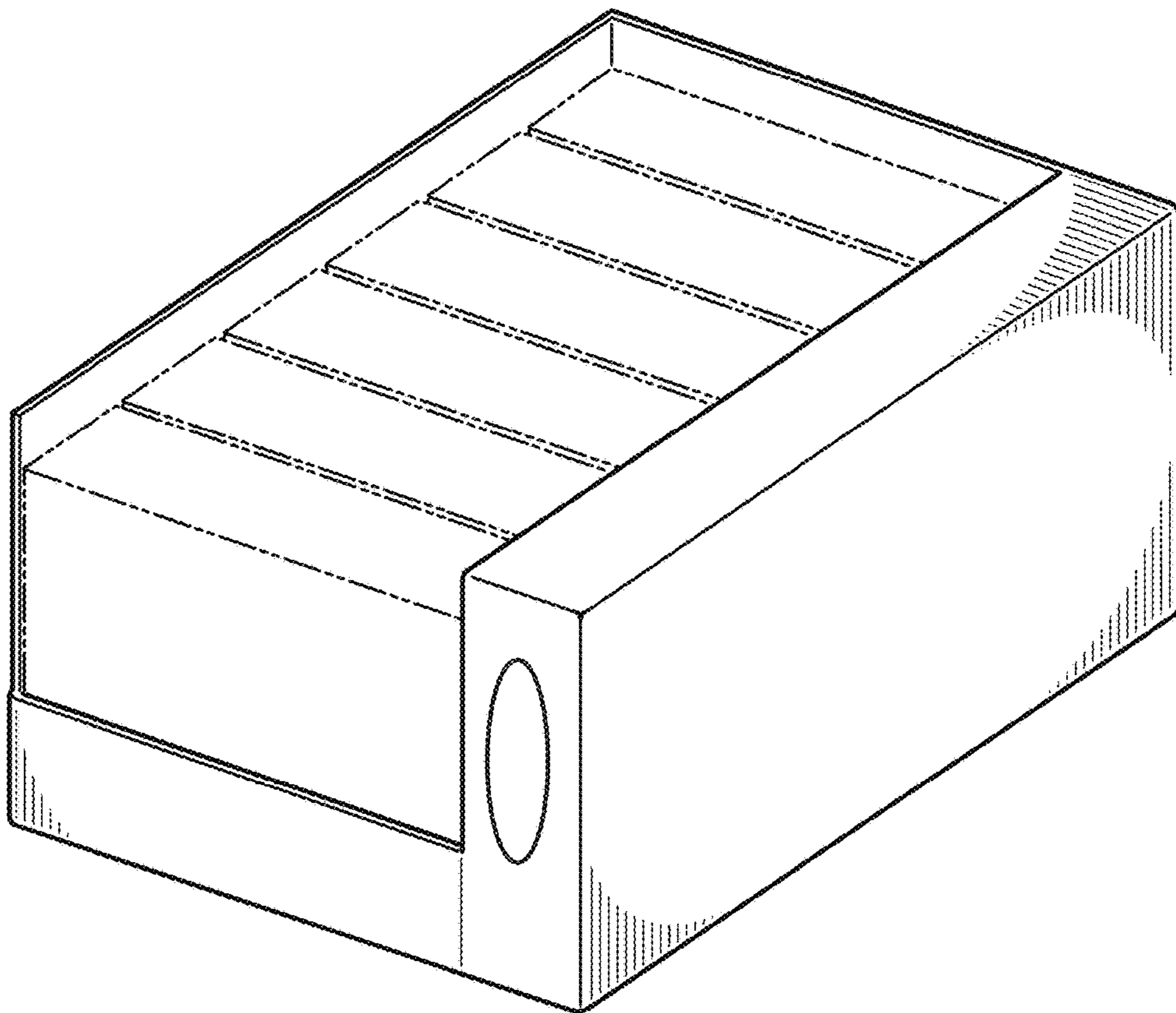


FIG. 8