



US00D837576S

(12) **United States Design Patent** (10) **Patent No.:** **US D837,576 S**
Murthy et al. (45) **Date of Patent:** **** Jan. 8, 2019**

(54) **DISPLAY RACK**
(71) Applicant: **Kellogg Company**, Battle Creek, MI (US)
(72) Inventors: **Ganapa Sashidhara Murthy**, Portage, MI (US); **Daniel Brian Yousef**, Hudsonville, MI (US)
(73) Assignee: **Kellogg Company**, Battle Creek, MI (US)
(**) Term: **15 Years**
(21) Appl. No.: **29/598,172**
(22) Filed: **Mar. 23, 2017**
(51) **LOC (11) Cl.** **06-06**
(52) **U.S. Cl.**
USPC **D6/675.4**
(58) **Field of Classification Search**
USPC D6/315, 317, 319, 329, 673, 675, 675.1, D6/675.2, 675.3, 675.4, 678.4, 680.2, D6/680.3, 702
CPC A47B 47/00; A47B 47/02; A47B 55/02; A47B 73/00; A47B 73/002; A47F 5/00; A47F 5/0018; A47F 5/0025; A47F 5/0056; A47F 5/01
See application file for complete search history.

D591,531 S * 5/2009 Sparkowski D6/702
D598,220 S * 8/2009 Sparkowski D6/675.2
D608,115 S * 1/2010 Trinh D6/675.1
D644,452 S * 9/2011 Naples D6/675.1
D651,024 S * 12/2011 Shenkin D6/675.3
D657,591 S * 4/2012 Sanchez D6/675.1
D660,052 S * 5/2012 Flores D6/675.2
D716,080 S * 10/2014 Bell D6/675.1
9,004,300 B1 * 4/2015 Morrell A47F 5/137
108/107
D747,901 S * 1/2016 Kanagy D6/673
D752,372 S * 3/2016 Huff D6/678.4
D784,052 S * 4/2017 Rodriguez D6/675.2
D787,241 S * 5/2017 Arzaluz D6/675.2
D790,457 S * 6/2017 Vargas D13/108
D798,635 S * 10/2017 Aguilera D6/675.2
2014/0230295 A1 * 8/2014 Hawkins A47F 5/0025
40/606.03

* cited by examiner

Primary Examiner — Kelley A Donnelly
(74) *Attorney, Agent, or Firm* — Honigman Miller Schwartz and Cohn LLP

(57) **CLAIM**

The ornamental design for a display rack, as shown and described.

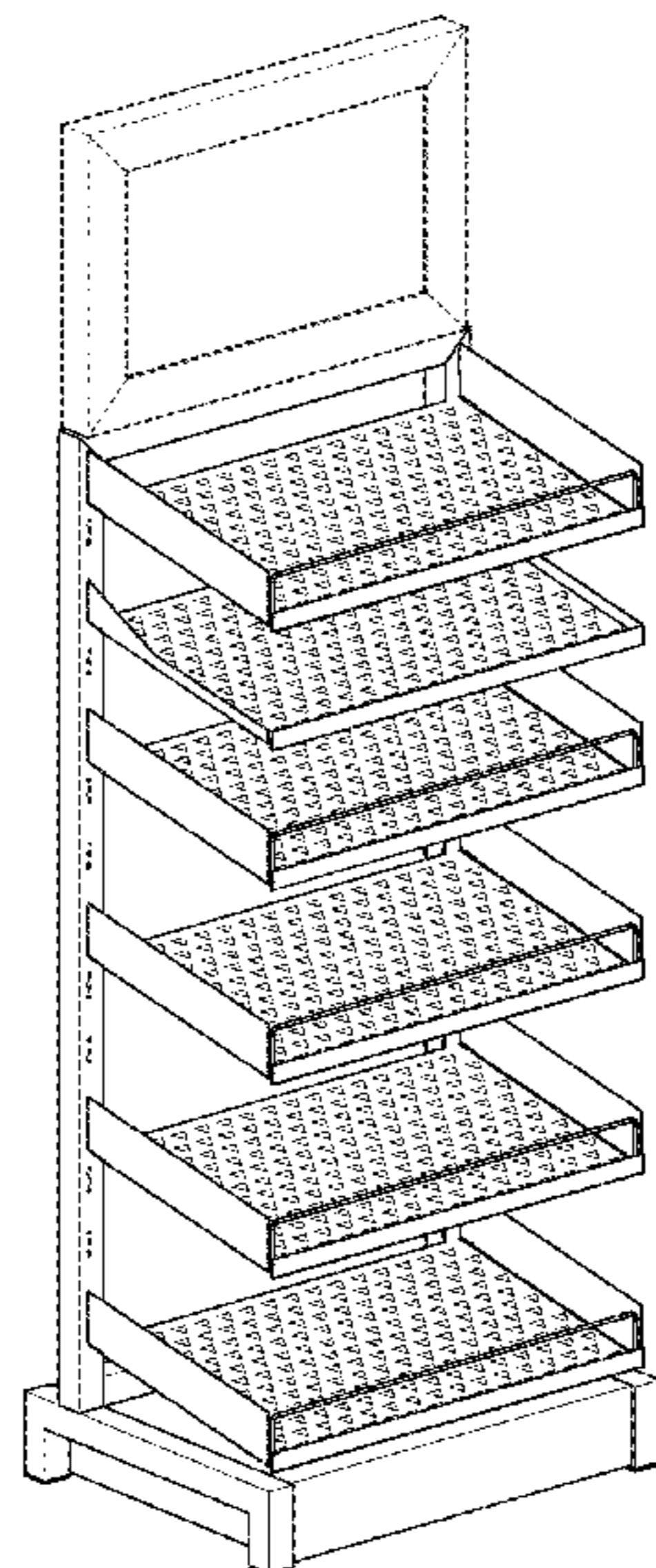
DESCRIPTION

FIG. 1 is a front-top perspective view of a display rack, showing our new design;
FIG. 2 is a rear-bottom perspective thereof;
FIG. 3 is a front view thereof;
FIG. 4 is a rear view thereof.
FIG. 5 is a top plan view thereof;
FIG. 6 is a bottom plan view thereof;
FIG. 7 is a right side view thereof; and,
FIG. 8 is a left side view thereof.
The dashed lines in the drawings depict portions of the design that form no part of the claim.

1 Claim, 8 Drawing Sheets

(56) **References Cited**
U.S. PATENT DOCUMENTS

D50,452 S * 3/1917 Stein D6/675.4
D162,990 S * 4/1951 Roeder 211/128.1
D280,163 S * 8/1985 Leo, Sr. D6/675.4
4,978,013 A * 12/1990 Hogg A47F 5/13
211/132.1
D361,454 S * 8/1995 Compton D6/675.3
D538,556 S * 3/2007 Arias D6/678.1
D560,402 S * 1/2008 Lev D6/675.1
D580,193 S * 11/2008 Sparkowski D6/678.4



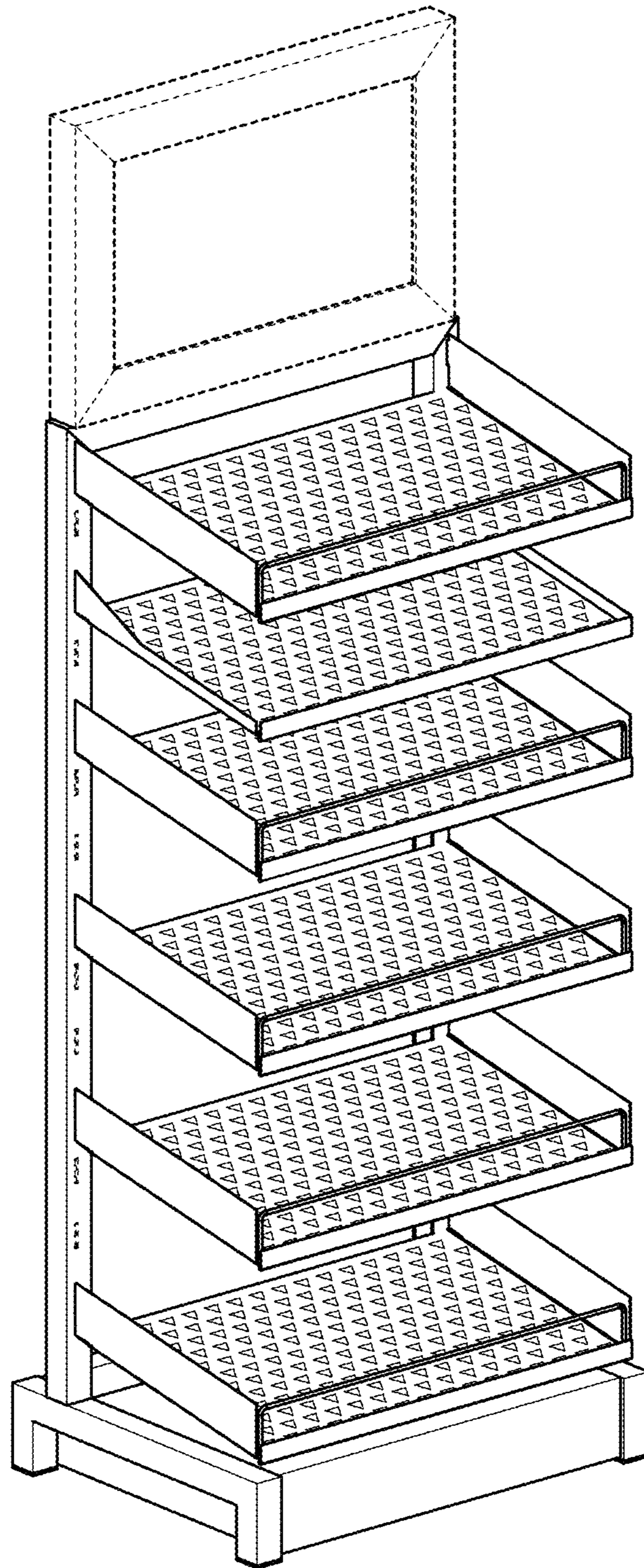


FIG. 1

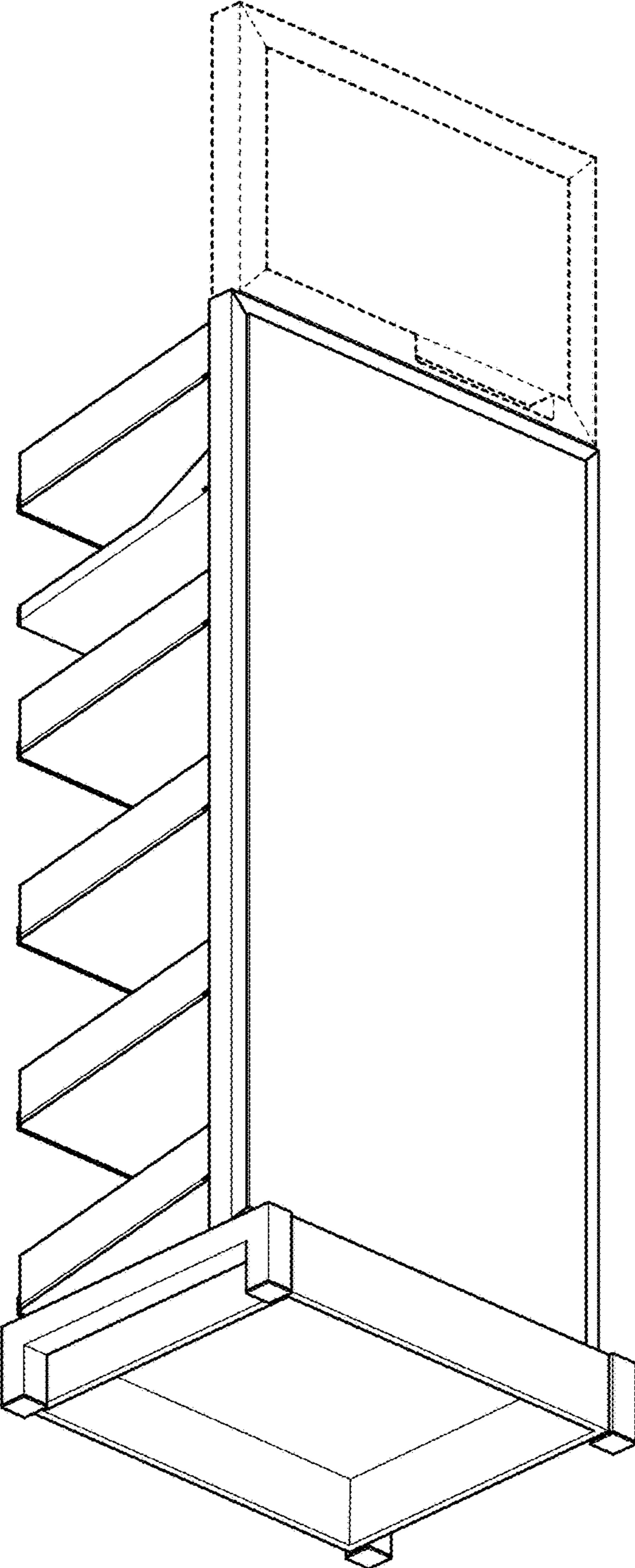


FIG. 2

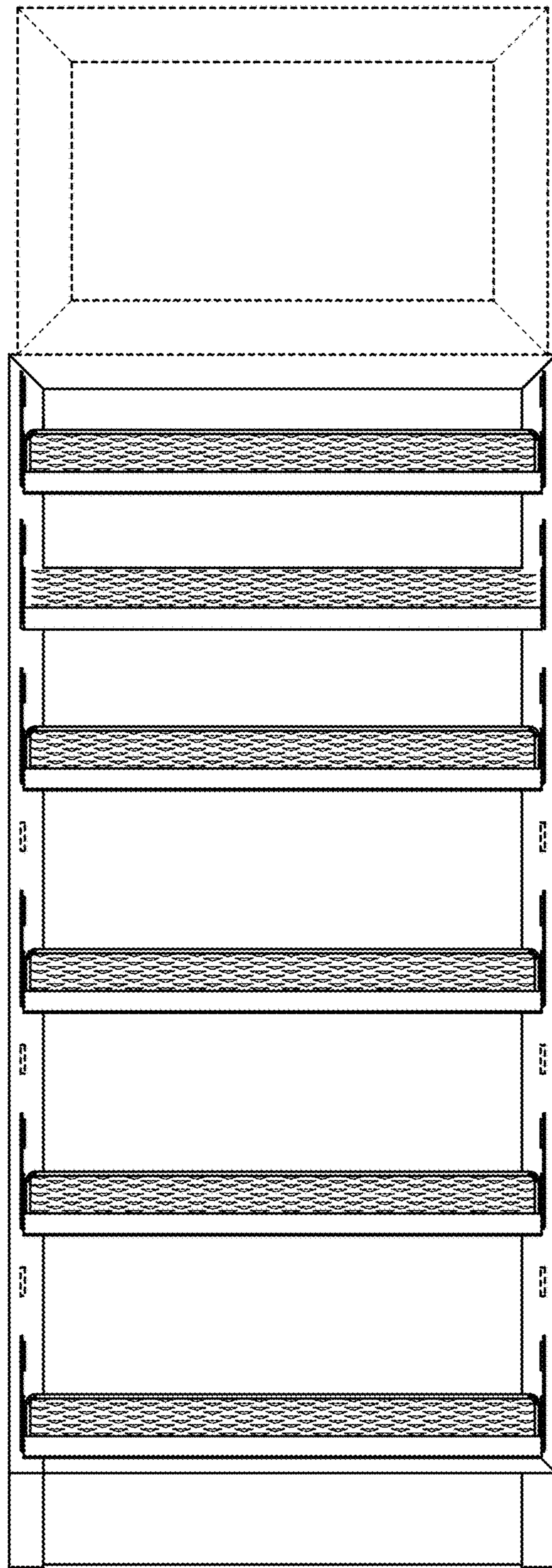


FIG. 3

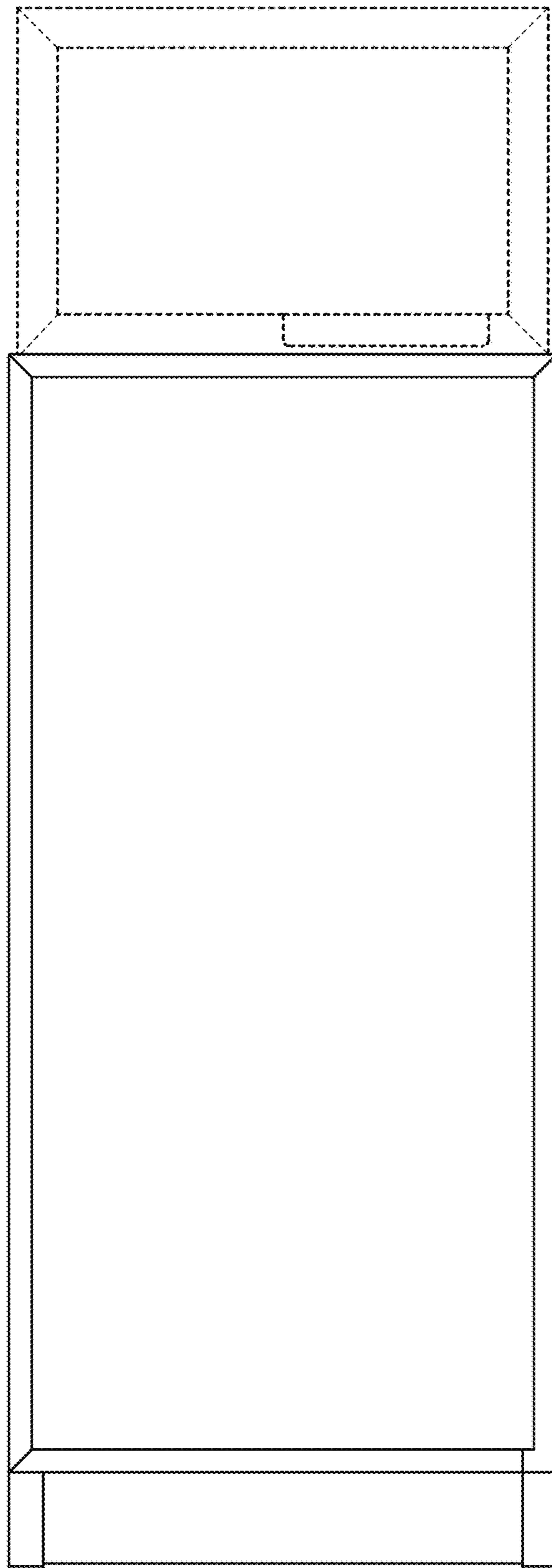


FIG. 4

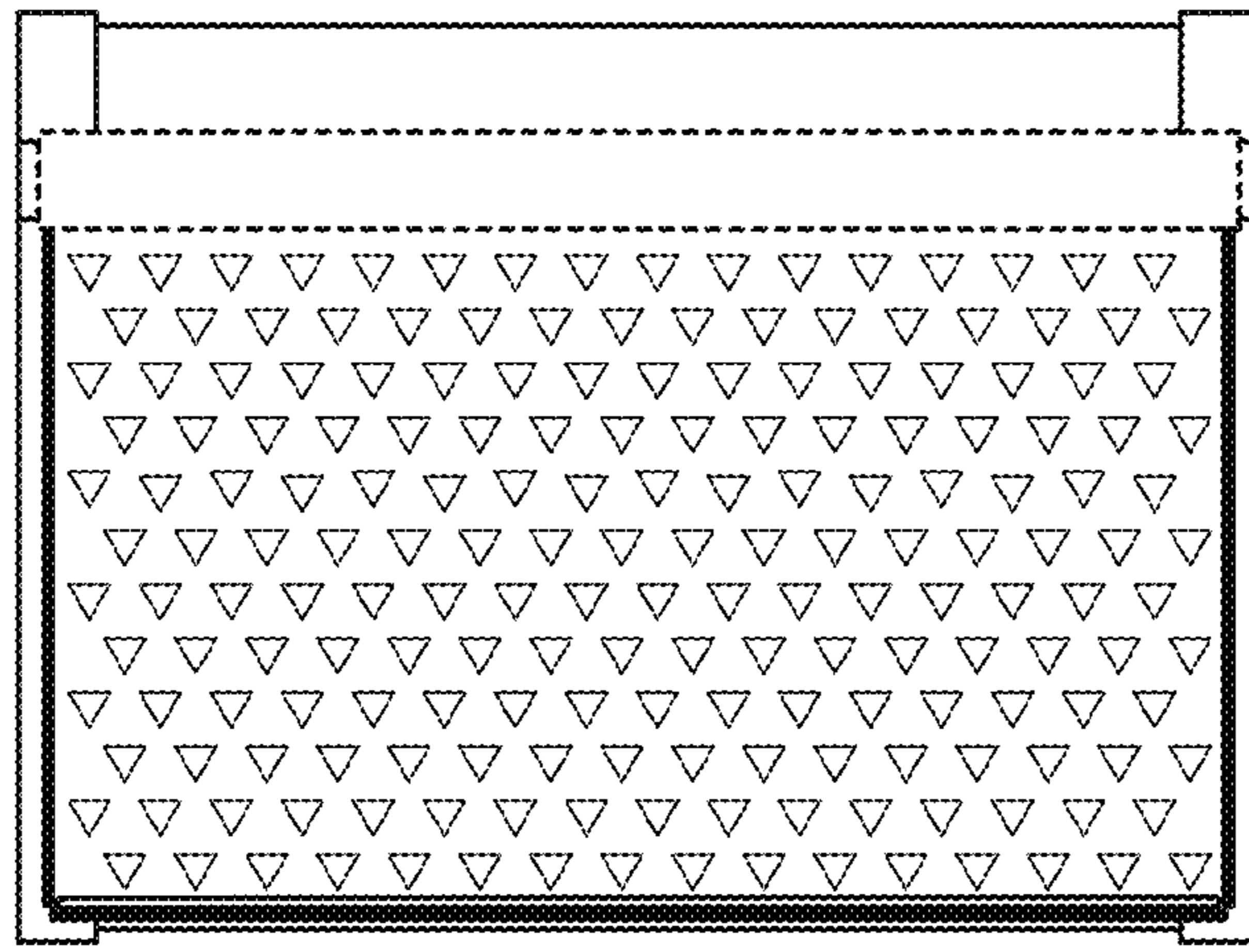


FIG. 5

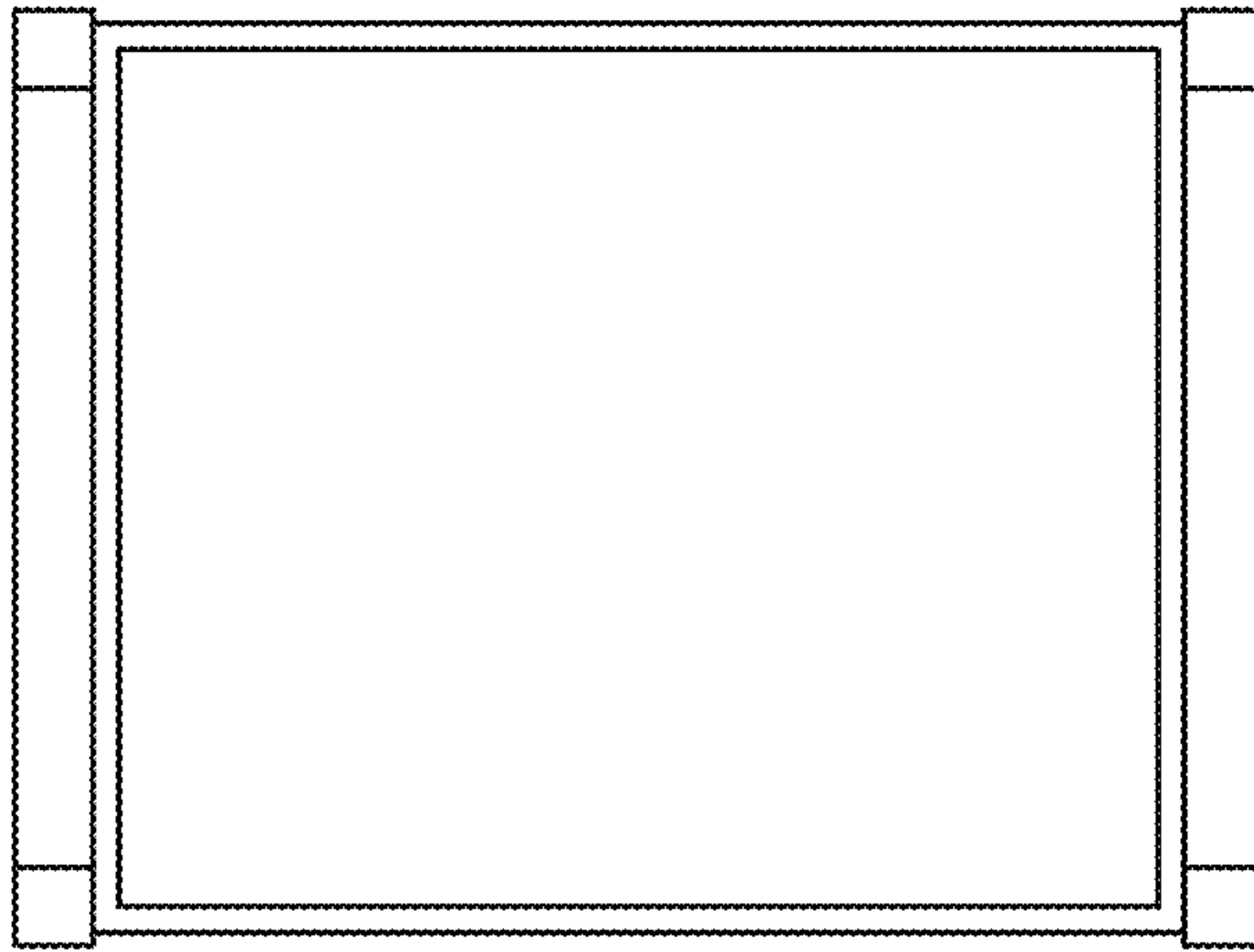


FIG. 6

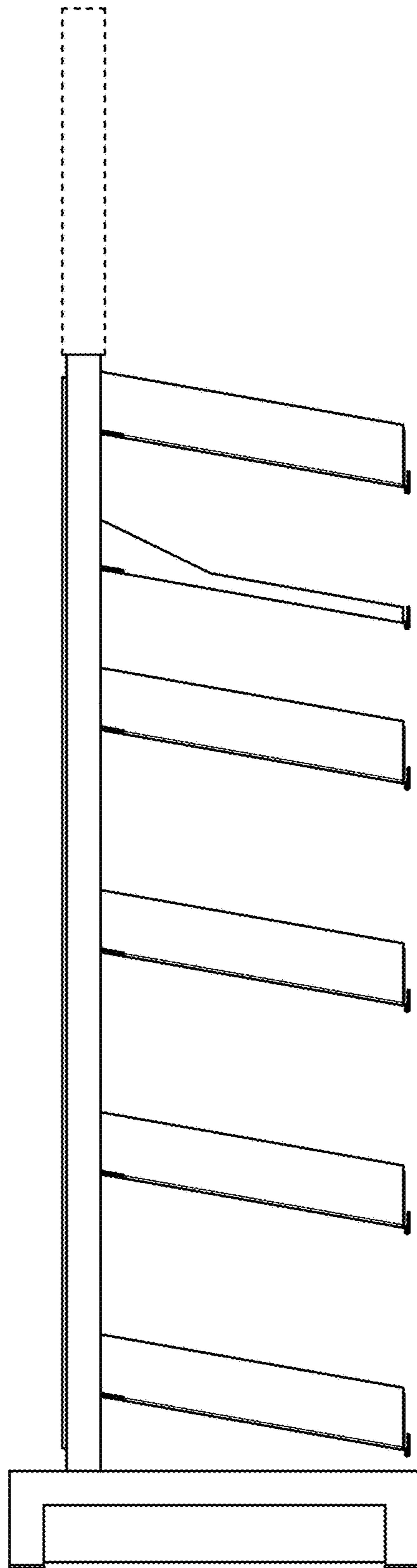


FIG. 7

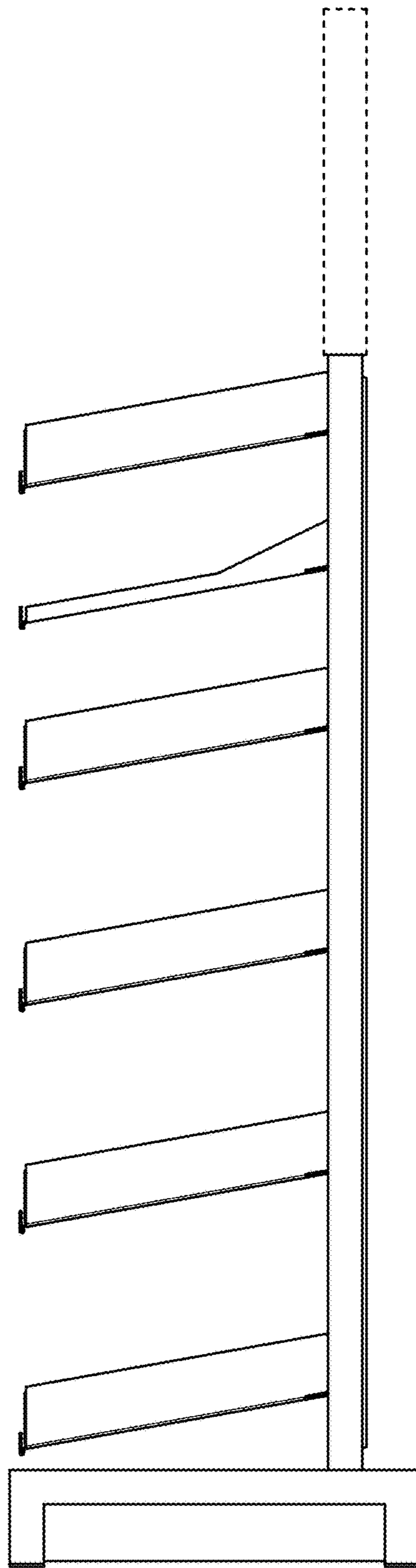


FIG. 8