



US00D837575S

(12) **United States Design Patent**
Bashkin

(10) **Patent No.:** **US D837,575 S**

(45) **Date of Patent:** **** Jan. 8, 2019**

(54) **INVENTORY MANAGEMENT APPARATUS**

(71) Applicant: **3 STRIKE, LLC**, Cleveland, OH (US)

(72) Inventor: **Leonard M. Bashkin**, Cleveland, OH (US)

(73) Assignee: **3 Strike, LLC**, Cleveland, OH (US)

(**) Term: **15 Years**

(21) Appl. No.: **29/601,917**

(22) Filed: **Apr. 27, 2017**

(51) **LOC (11) Cl.** **06-04**

(52) **U.S. Cl.**
USPC **D6/657**

(58) **Field of Classification Search**
USPC ... D6/657, 671, 672, 675, 686, 687, 688.26,
D6/688.27, 691, 691.1, 691.3, 691.4,
D6/691.6, 691.8, 691.9, 693, 694, 695,
D6/695.1, 696, 696.1, 696.3, 697, 702,
D6/707.15, 708, 708.17, 709, 710;
D9/414, 418, 427, 432
CPC A47B 47/00; A47B 47/02; F16B 12/00;
F16B 12/50; F24B 15/04; H02B 1/26;
H02B 1/30

See application file for complete search history.

(56) **References Cited**

U.S. PATENT DOCUMENTS

D161,970 S * 2/1951 Snyder D6/674
D242,197 S * 11/1976 Herr D6/671
D299,091 S * 12/1988 Kruzel D6/675
D425,730 S * 5/2000 Murphy D6/675

D431,931 S * 10/2000 Sicignano, III D6/517
D437,706 S * 2/2001 Alcala D6/671
D477,217 S * 7/2003 Riedi D9/418
D508,799 S * 8/2005 Von der Burg D6/661
6,938,818 B2 * 9/2005 Moorman B65D 5/10
229/120
D668,949 S * 10/2012 Hipperson D9/423
D745,384 S * 12/2015 Park D9/414
D780,488 S * 3/2017 Celano D6/672

* cited by examiner

Primary Examiner — Mary Ann Calabrese

Assistant Examiner — Catherine Ho

(74) *Attorney, Agent, or Firm* — Tucker Ellis LLP; Carlos Garritano

(57) **CLAIM**

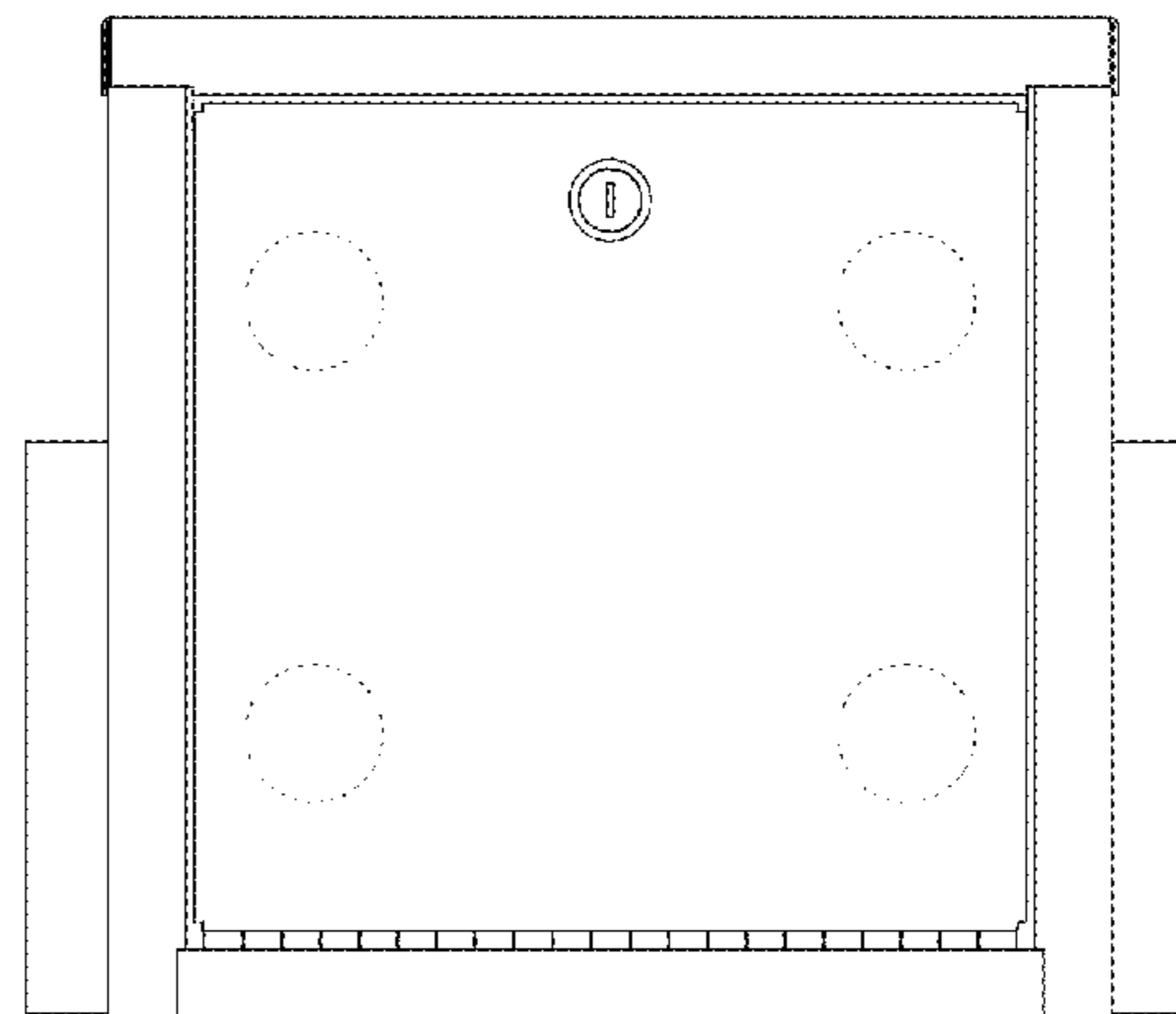
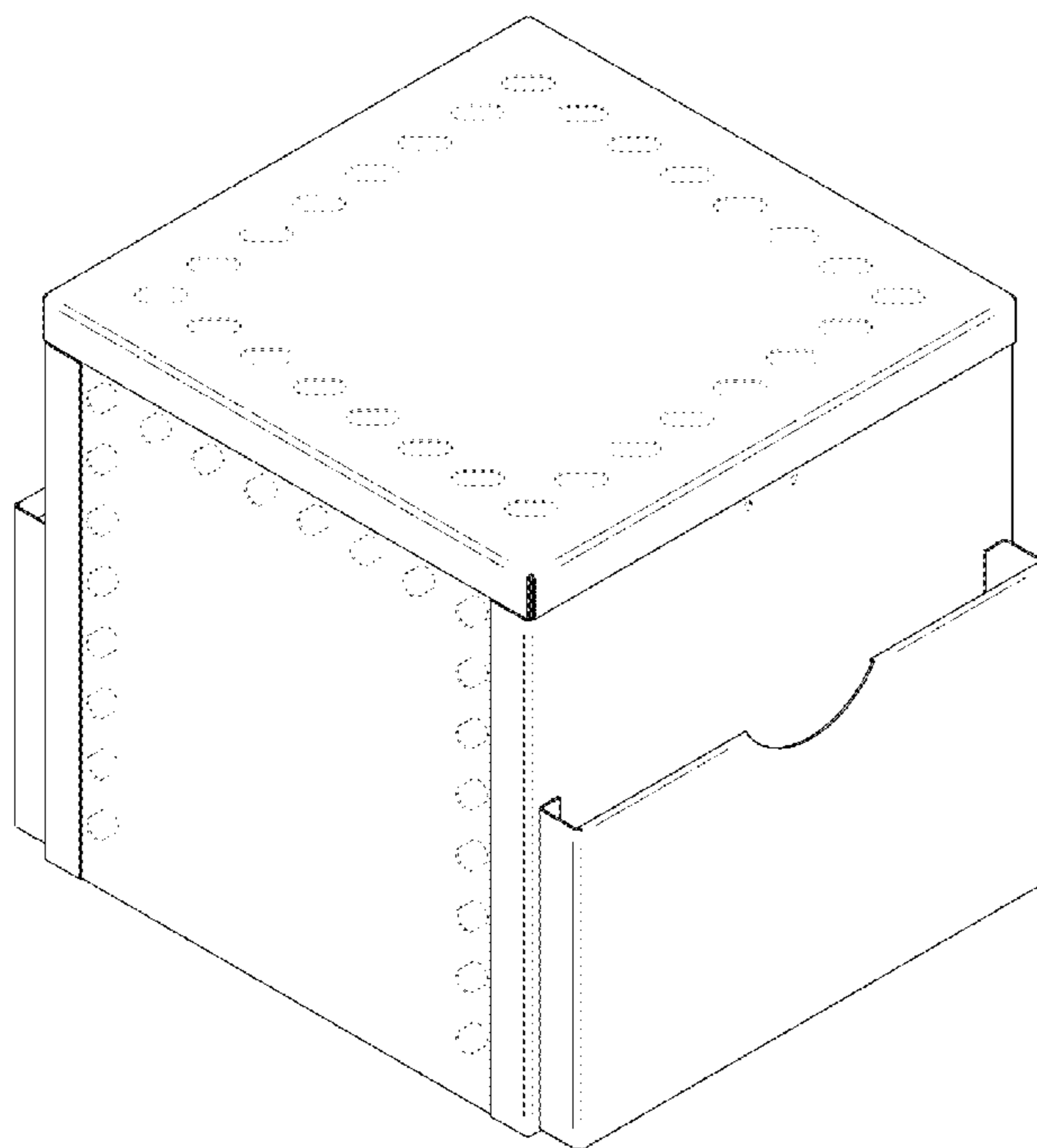
The ornamental design for an inventory management apparatus, as shown and described.

DESCRIPTION

FIG. 1 is a perspective view of an inventory management apparatus, showing my new design;
FIG. 2 is a front view thereof;
FIG. 3 is a rear view thereof;
FIG. 4 is a top view thereof;
FIG. 5 is a bottom view thereof;
FIG. 6 is a left side view thereof; and,
FIG. 7 is a right side view thereof.

The broken lines in the drawings illustrate the portions of the inventory management apparatus that form no part of the claimed design.

1 Claim, 4 Drawing Sheets



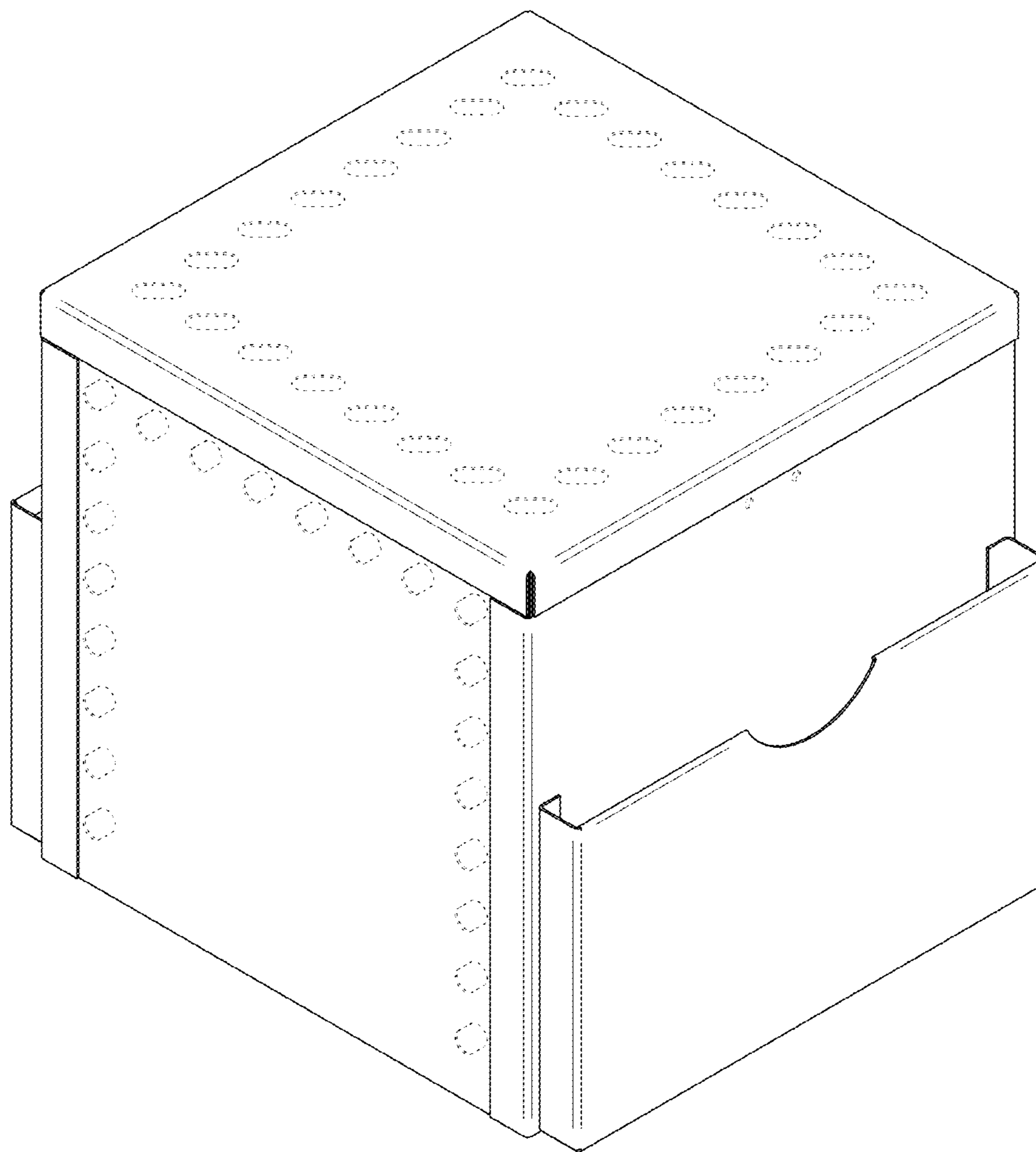


FIG. 1

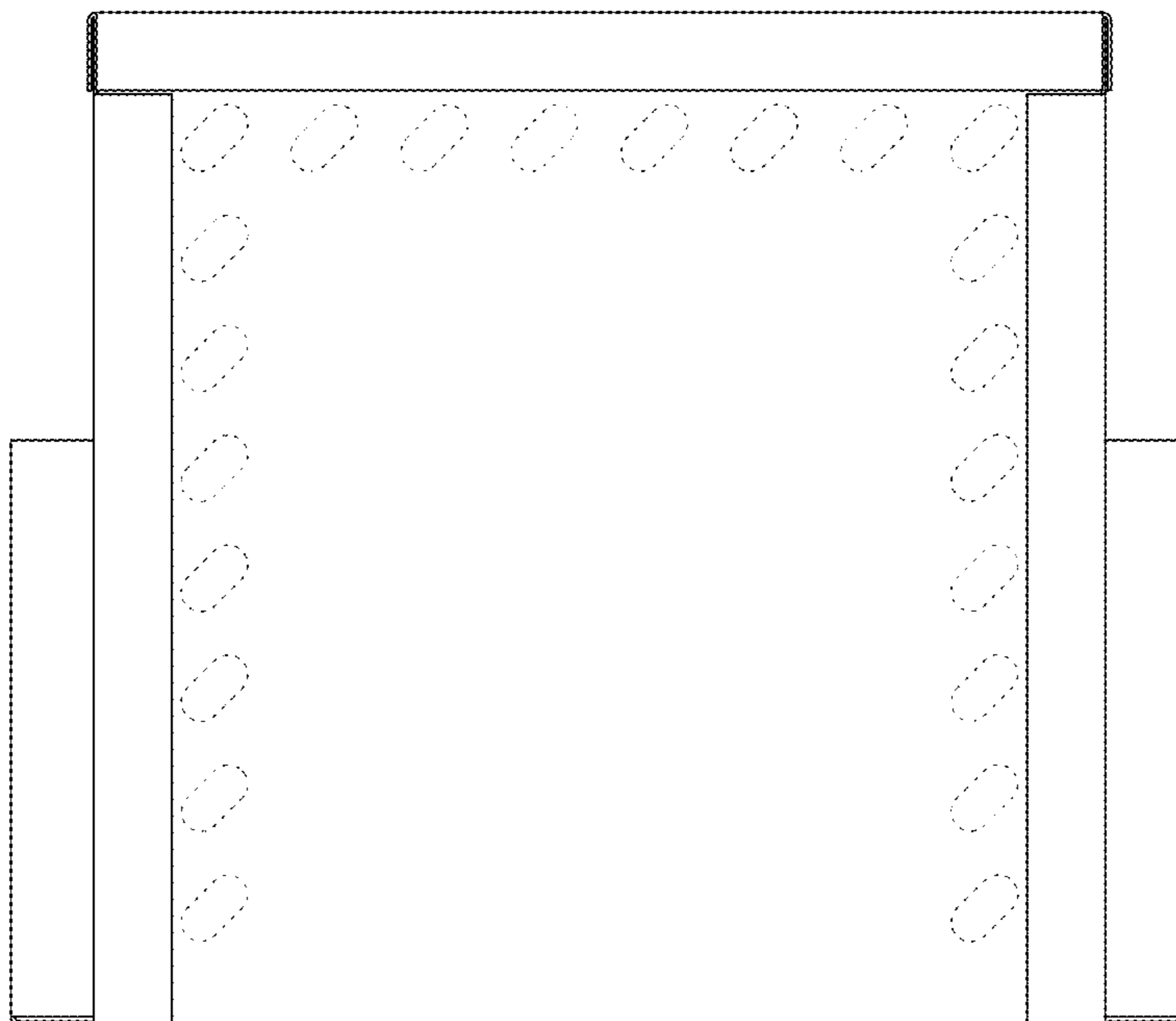


FIG. 2

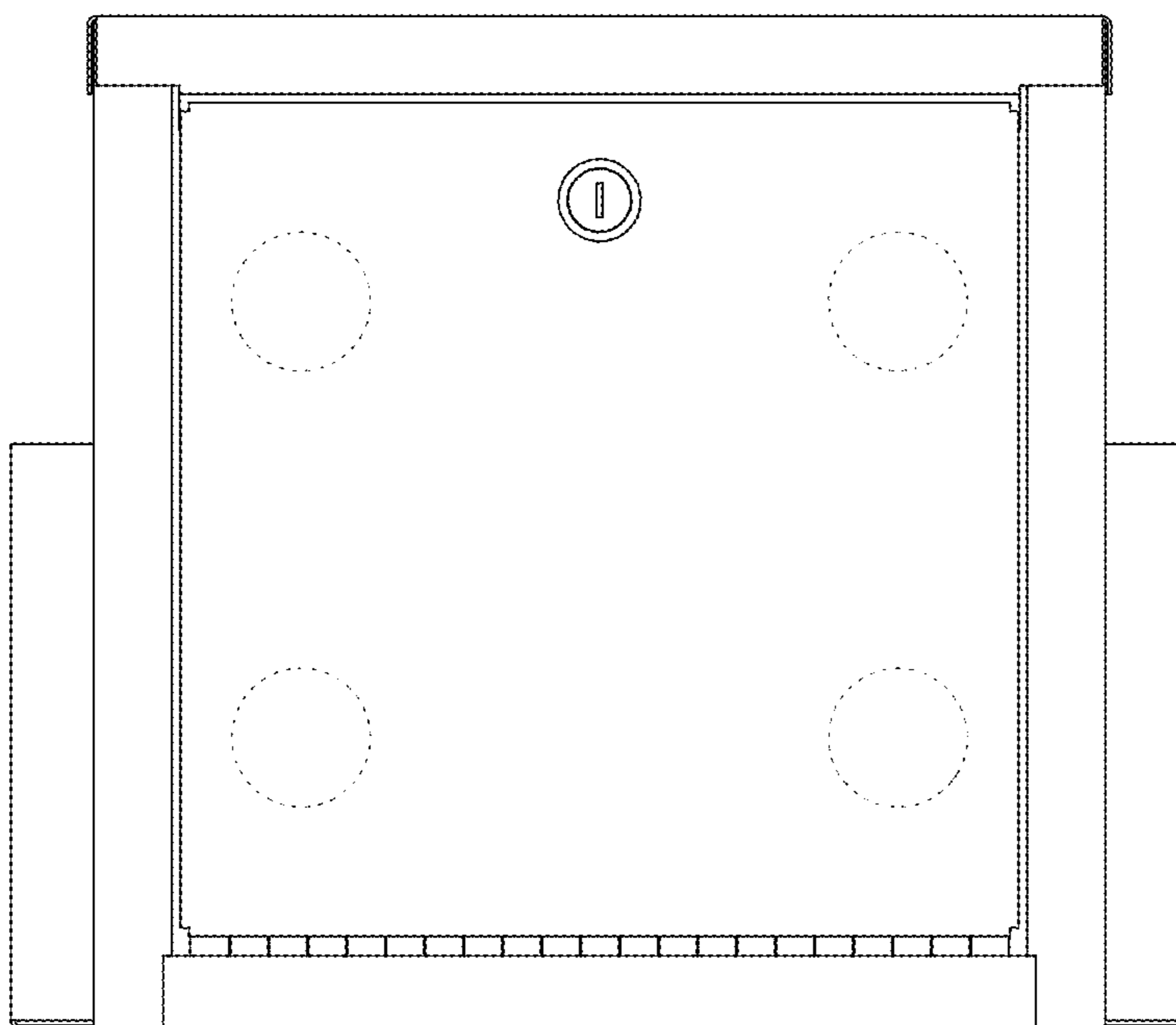


FIG. 3

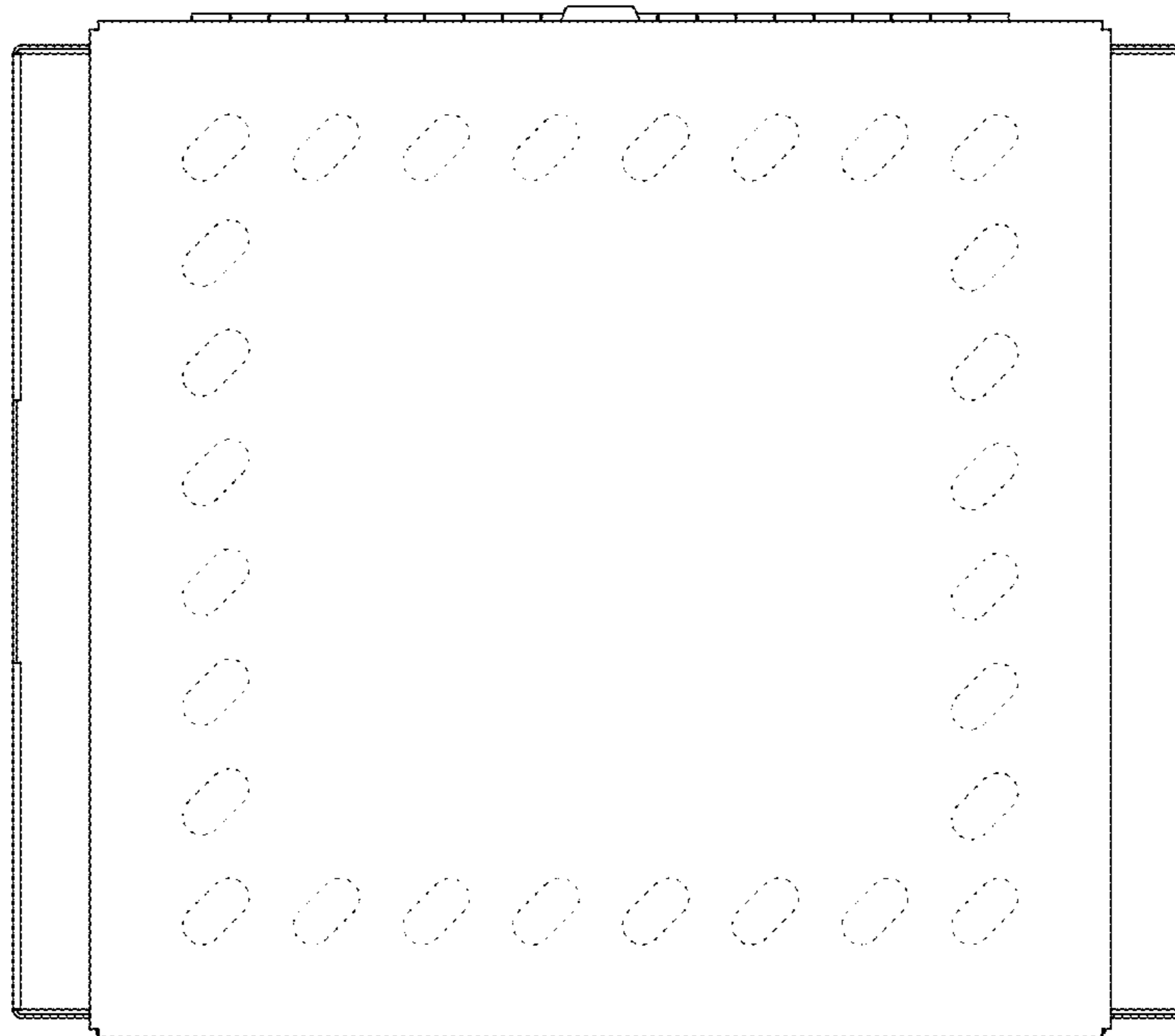


FIG. 4

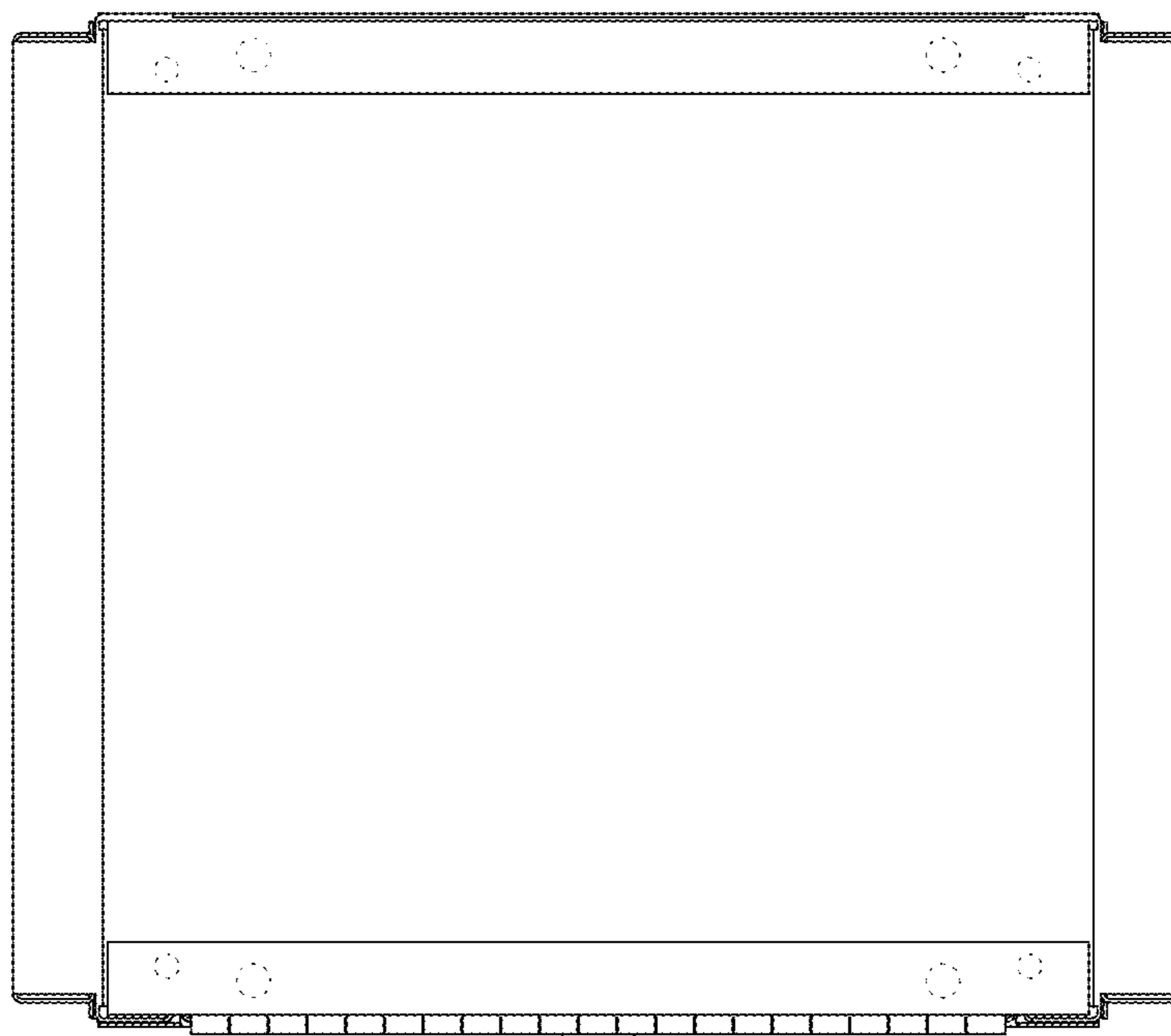


FIG. 5

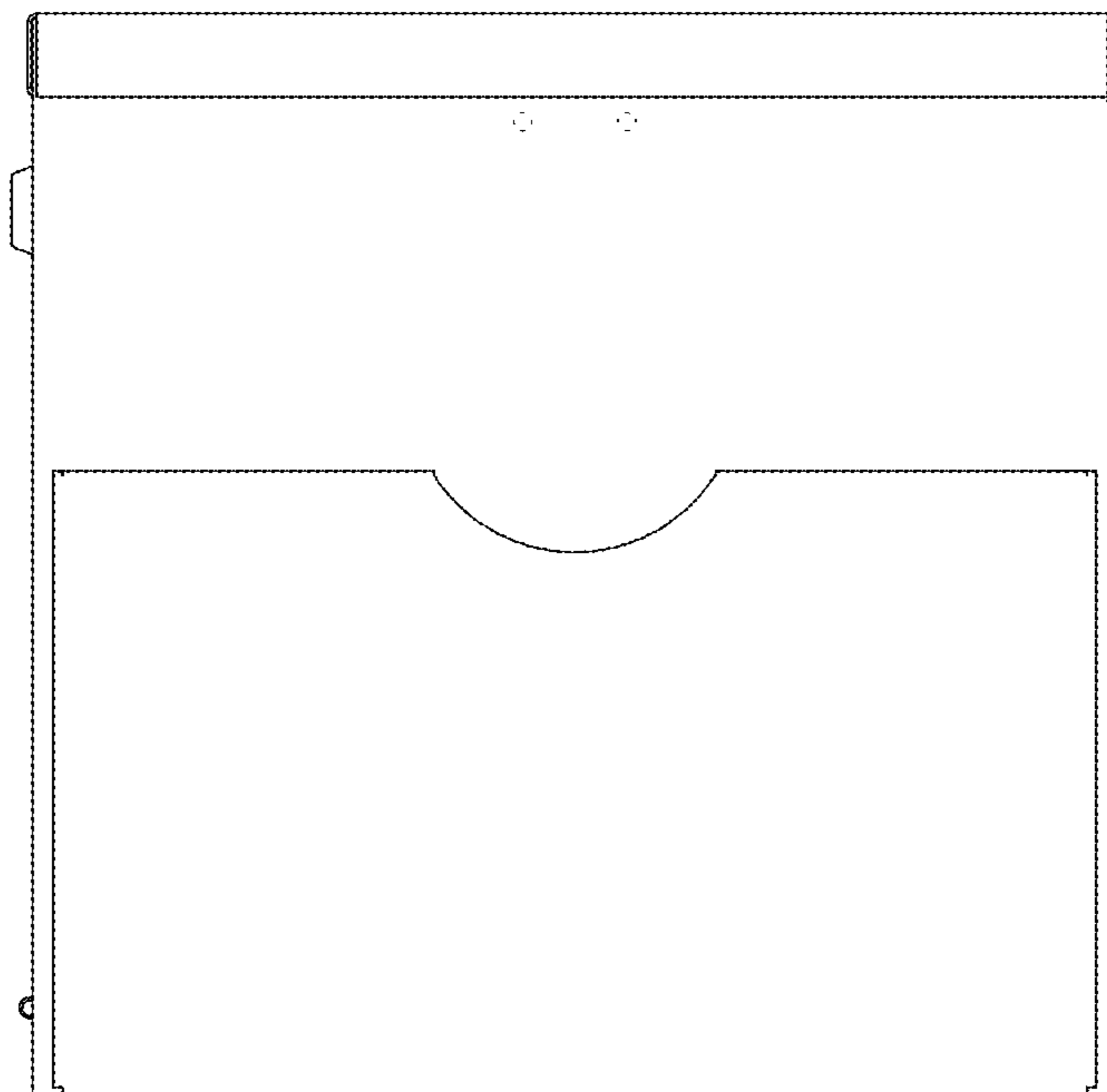


FIG. 6

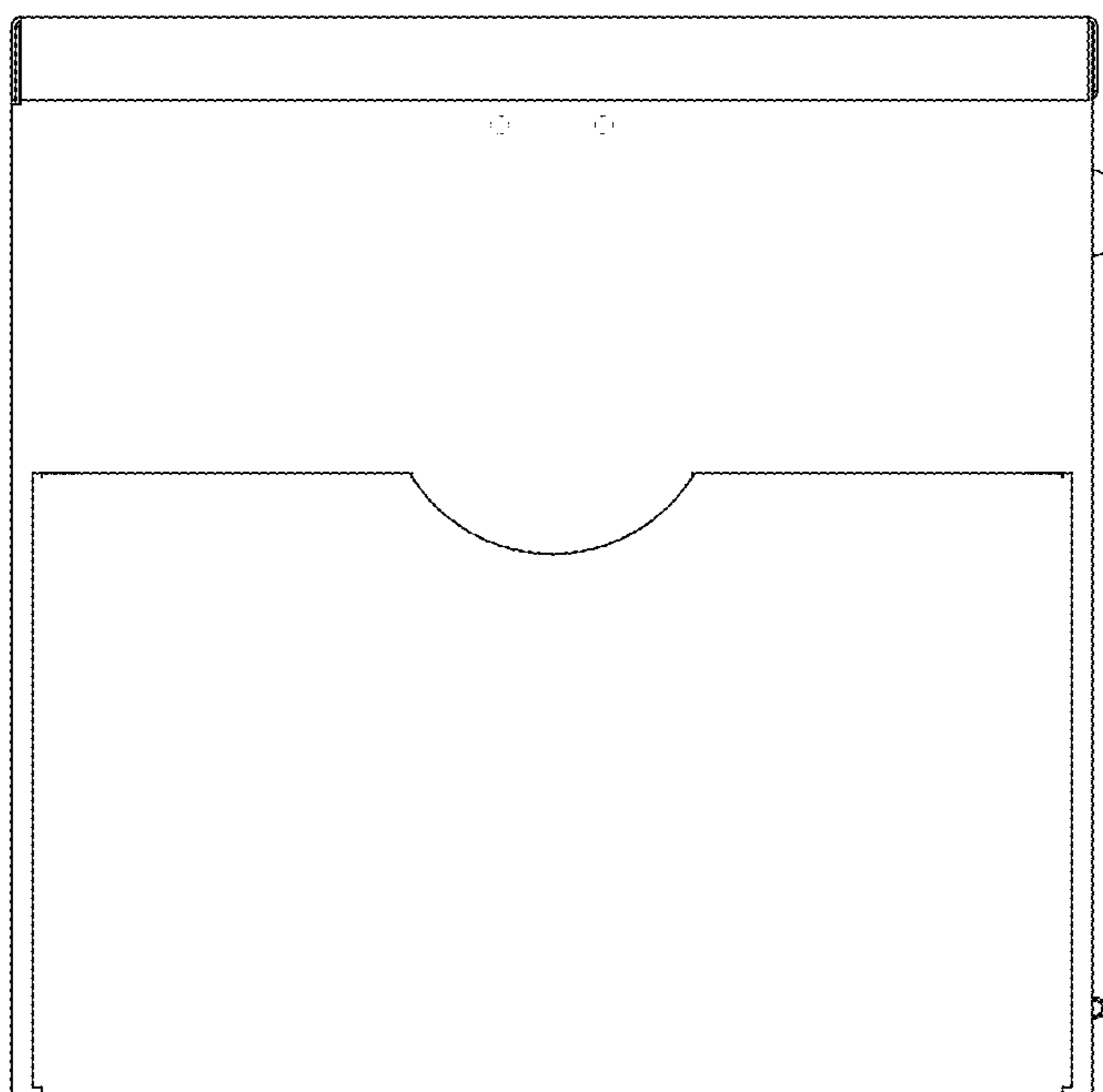


FIG. 7