



US00D837574S

(12) **United States Design Patent**
Hu

(10) **Patent No.:** **US D837,574 S**

(45) **Date of Patent:** **** Jan. 8, 2019**

(54) **HEIGHT ADJUSTABLE DESK**

(71) Applicant: **Yajun Hu**, El Dorado Hills, CA (US)

(72) Inventor: **Yajun Hu**, El Dorado Hills, CA (US)

(73) Assignee: **YAJUN HU EUREKA LLC**, El Dorado Hills, CA (US)

(**) Term: **15 Years**

(21) Appl. No.: **29/631,018**

(22) Filed: **Dec. 26, 2017**

(51) **LOC (11) Cl.** **06-03**

(52) **U.S. Cl.**
USPC **D6/655**

(58) **Field of Classification Search**
USPC D6/641, 648, 648.2, 665, 655.1,
D6/655.11-655.16, 655.21, 656, 702,
D6/707.15, 707.19

CPC A47B 1/00; A47B 7/00; A47B 9/00; A47B
9/10; A47B 9/16; A47B 2009/006; A47B
11/00; A47B 13/00; A47B 13/081; A47B
21/0073; A47B 21/02; A47B 21/03; A47B
2200/005; A47B 2200/0064

See application file for complete search history.

(56) **References Cited**

U.S. PATENT DOCUMENTS

D478,225 S	8/2003	Wang	
D499,273 S	12/2004	Chang	
D499,576 S	12/2004	Long	
D526,812 S	8/2006	Chen	
D547,970 S	8/2007	Chou	
D549,009 S	8/2007	Lin	
D771,982 S *	11/2016	Flaherty	D6/655
D781,619 S *	3/2017	Flaherty	D6/655
9,591,919 B2	3/2017	Ergun et al.	
D784,050 S *	4/2017	Flaherty	D6/655
9,635,932 B2	5/2017	Kelley et al.	
D814,214 S *	4/2018	Flaherty	D6/648

9,961,991 B1 * 5/2018 Chen A47B 21/02
2013/0340655 A1 * 12/2013 Flaherty A47B 9/18
108/96
2017/0290413 A1 * 10/2017 Hu A47B 21/02

(Continued)

OTHER PUBLICATIONS

iMovR, posted at Amazon.com, posted on Nov. 28, 2016, site visited Aug. 27, 2018. online, available from internet: <https://www.amazon.com/iMovR-Standing-Converter-Ergonomic-Keyboard/dp/B074XMZ7MN>.*

(Continued)

Primary Examiner — Mary Ann Calabrese

Assistant Examiner — Catherine Ho

(57) **CLAIM**

The ornamental design for a height adjustable desk, as shown and described.

DESCRIPTION

FIG. 1 is a perspective view of height adjustable desk in a collapsed position;

FIG. 2 is a front view thereof;

FIG. 3 is a bottom view thereof;

FIG. 4 is a top view thereof;

FIG. 5 is a rear side view thereof;

FIG. 6 is a left side view thereof;

FIG. 7 is a right side view thereof;

FIG. 8 is a perspective view of the height adjustable desk in an extended position;

FIG. 9 is a front view thereof;

FIG. 10 is a bottom view thereof;

FIG. 11 is a top view thereof;

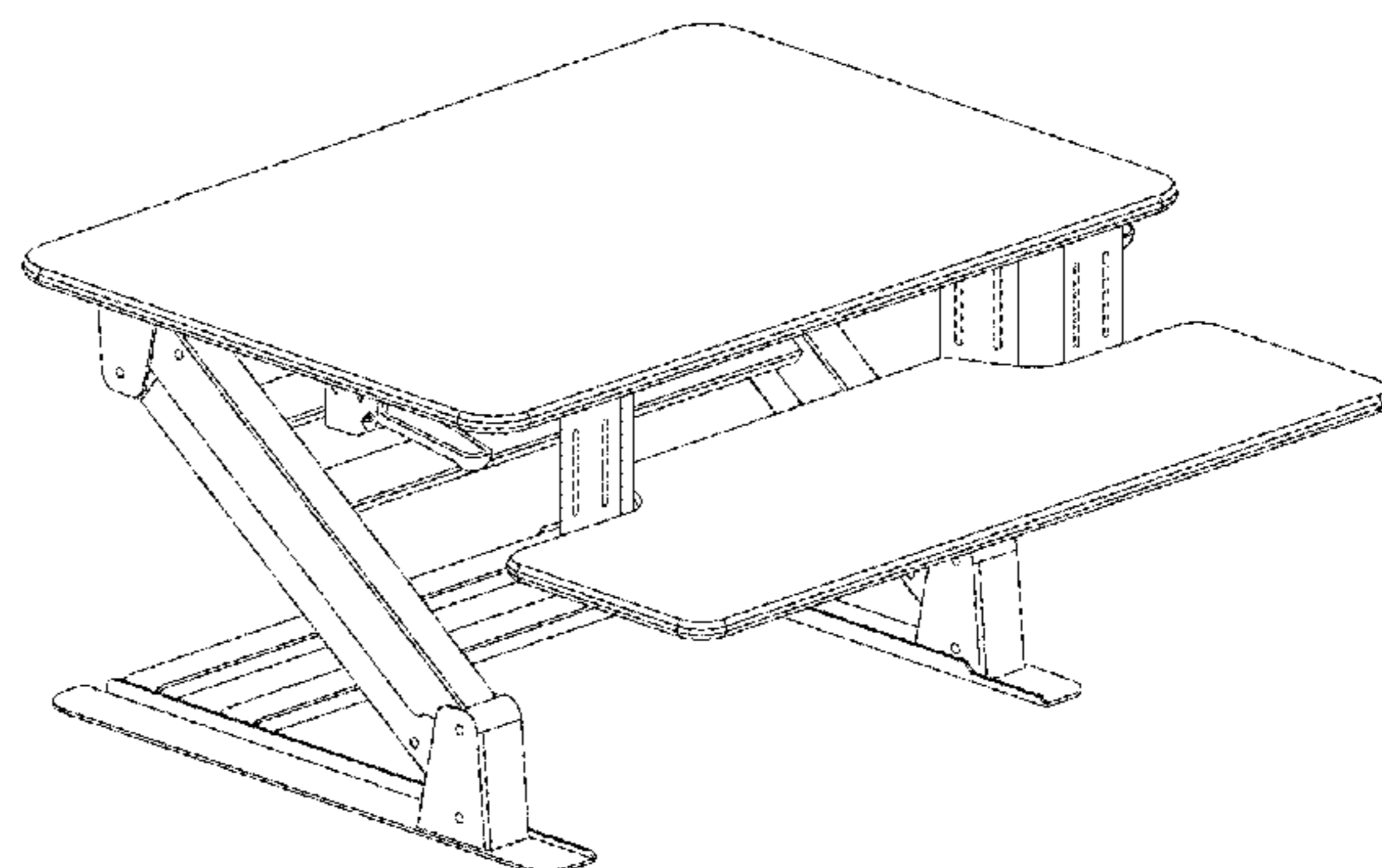
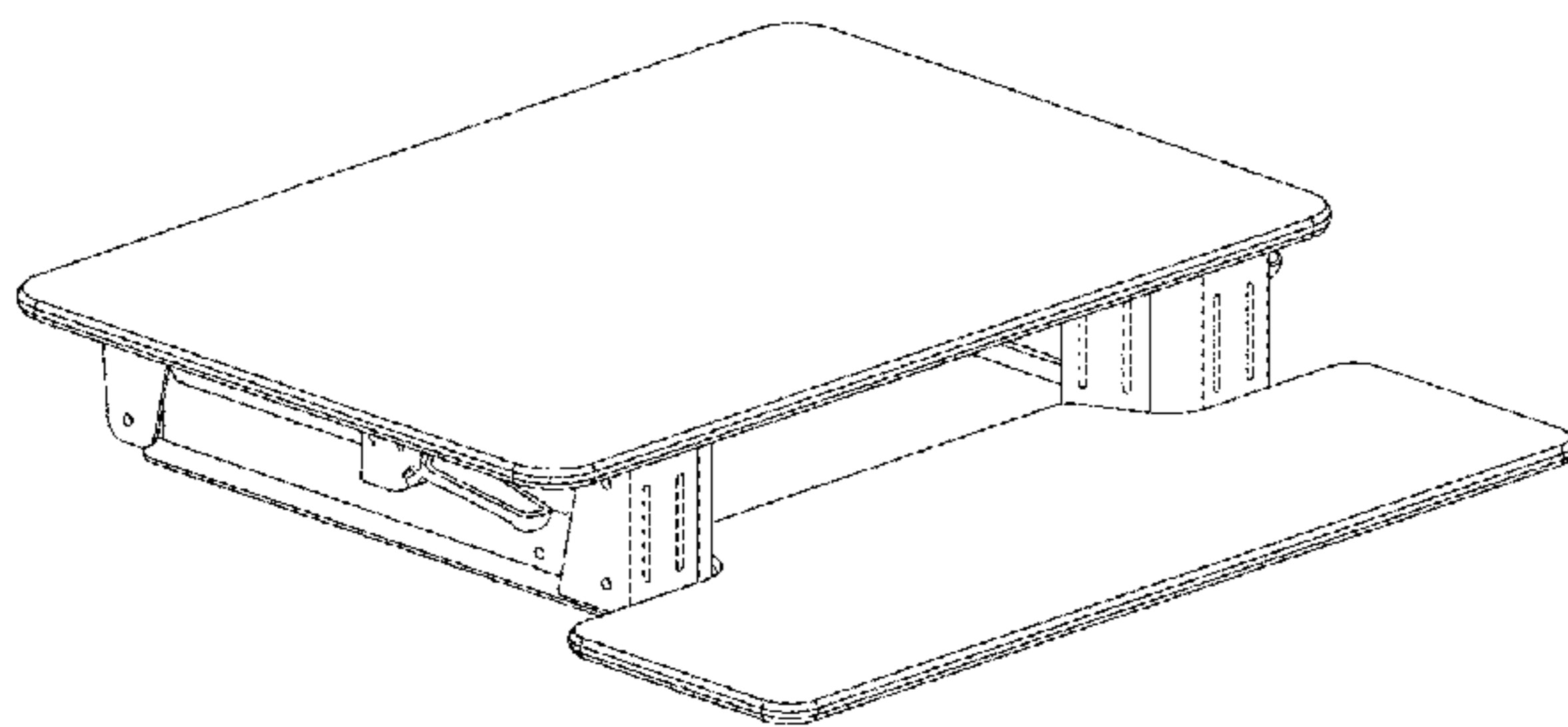
FIG. 12 is a rear side view thereof;

FIG. 13 is a left side view thereof; and,

FIG. 14 is a right side view thereof.

The broken line portion of the figure drawings is included to show portions of the article that forms no part of the claimed design.

1 Claim, 14 Drawing Sheets



(56)

References Cited

U.S. PATENT DOCUMENTS

2017/0354245 A1* 12/2017 Martin A47B 21/02
2017/0360192 A1* 12/2017 Hu A47B 9/16
2018/0140089 A1* 5/2018 Blackburn A47B 21/02
2018/0177289 A1* 6/2018 Chen A47B 21/02

OTHER PUBLICATIONS

Stand Up Desk, posted at Amazon.com, posted on Aug. 22, 2016,
site visited Aug. 27, 2018. online, available from internet: [https://
www.amazon.com/Stand-Up-Desk-Store-Pro/dp/B01KU4N4L2](https://www.amazon.com/Stand-Up-Desk-Store-Pro/dp/B01KU4N4L2).*

* cited by examiner

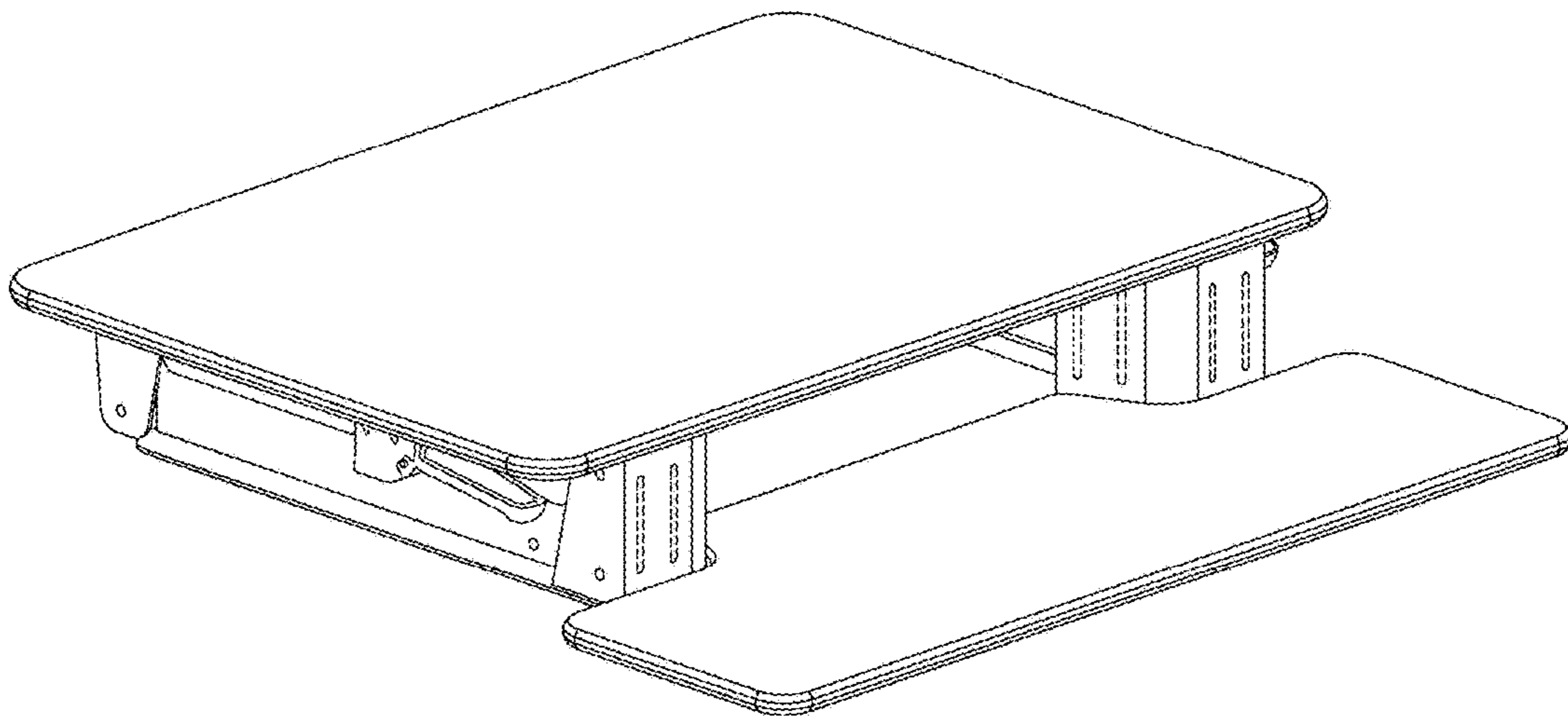


FIG.1

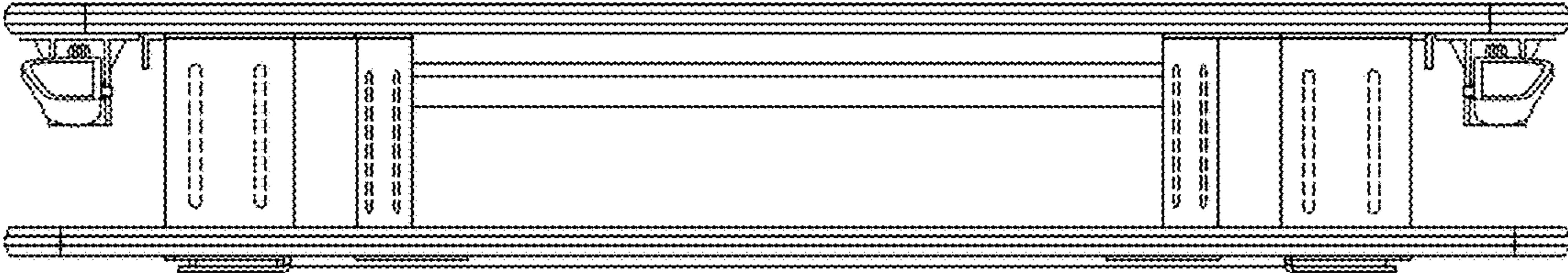


FIG.2

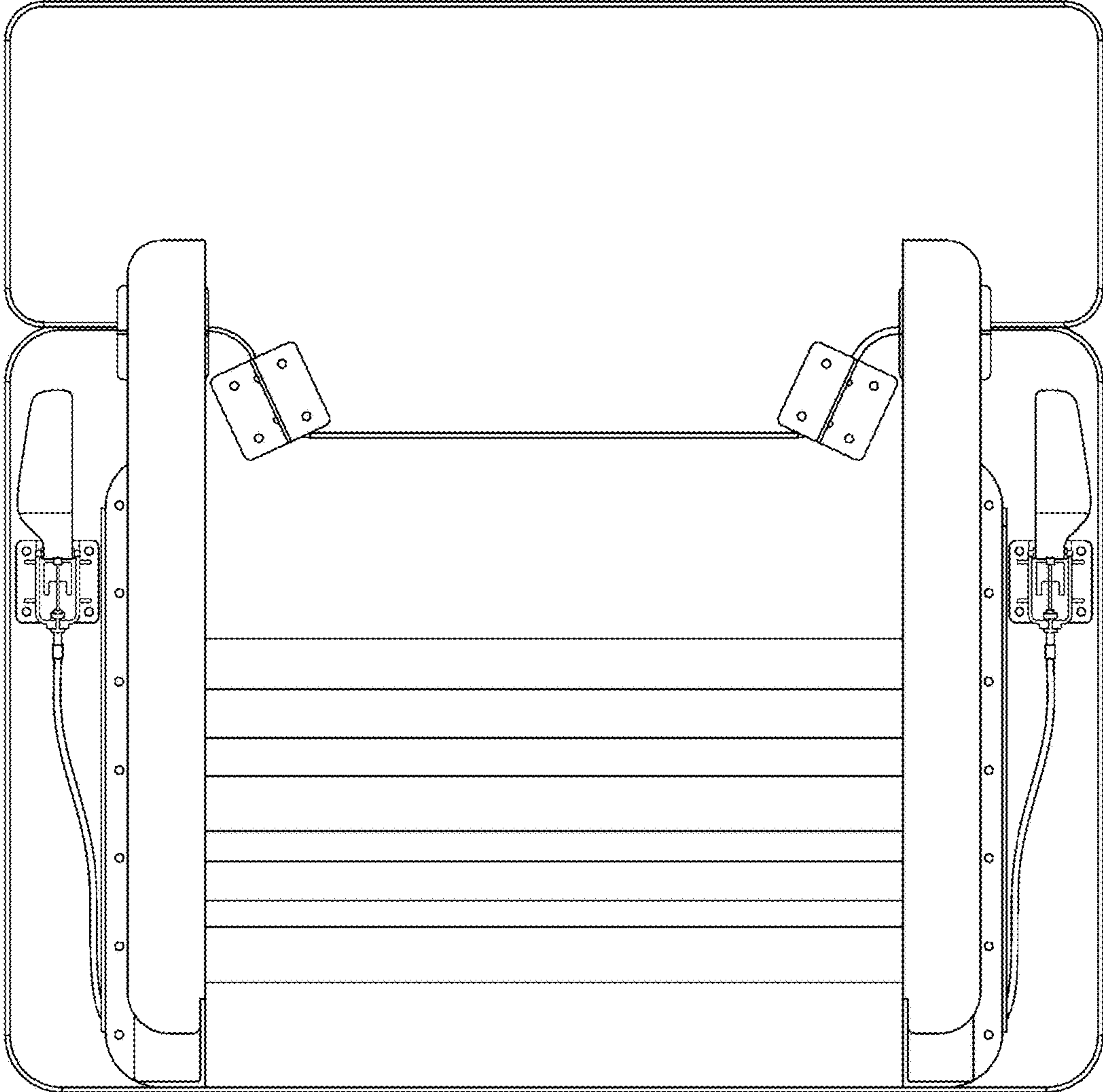


FIG.3

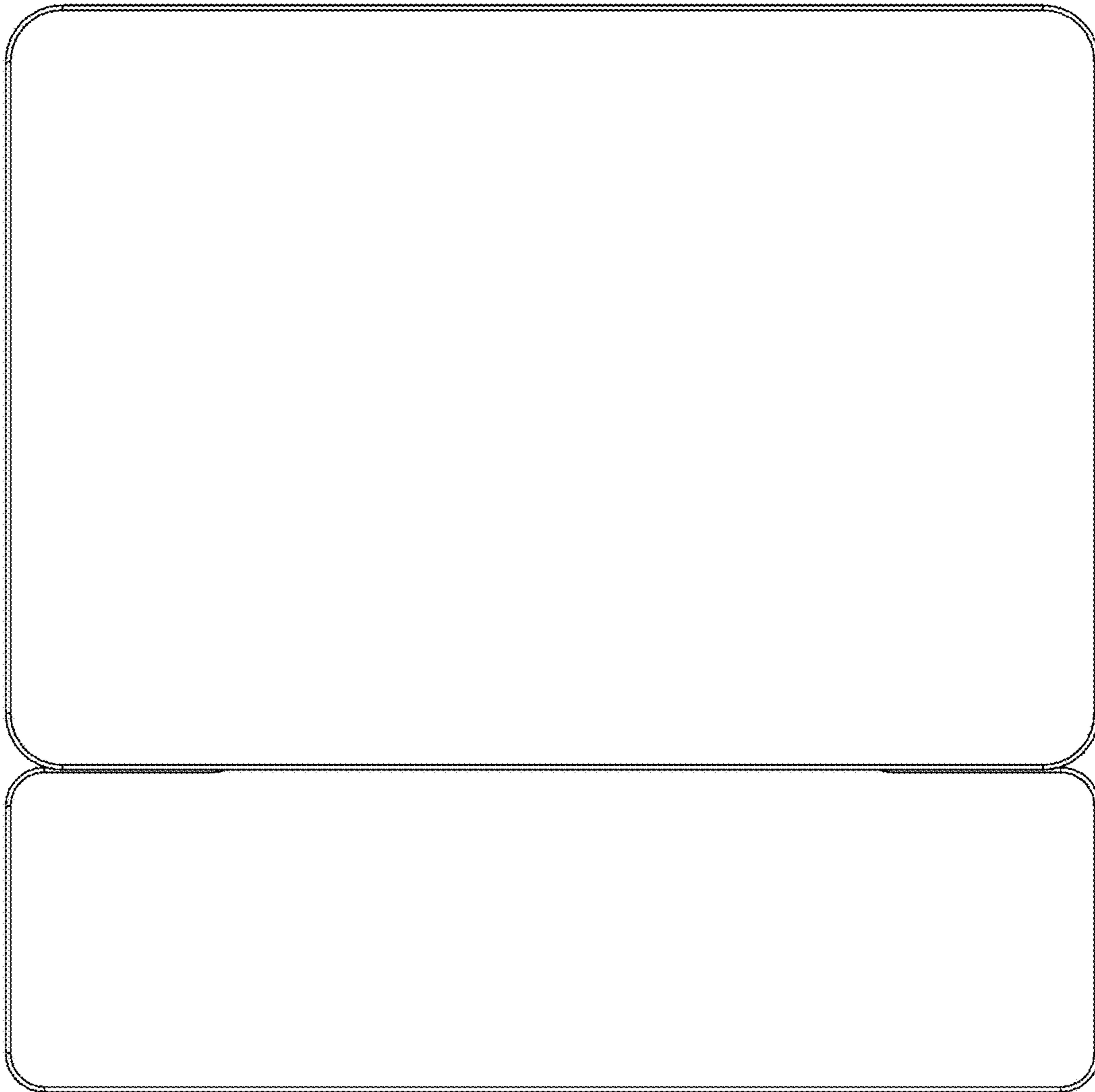


FIG.4

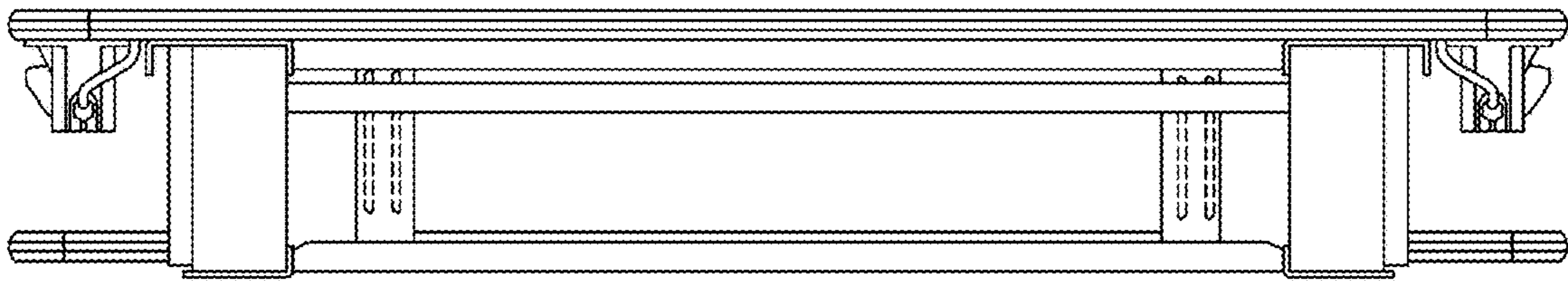


FIG.5

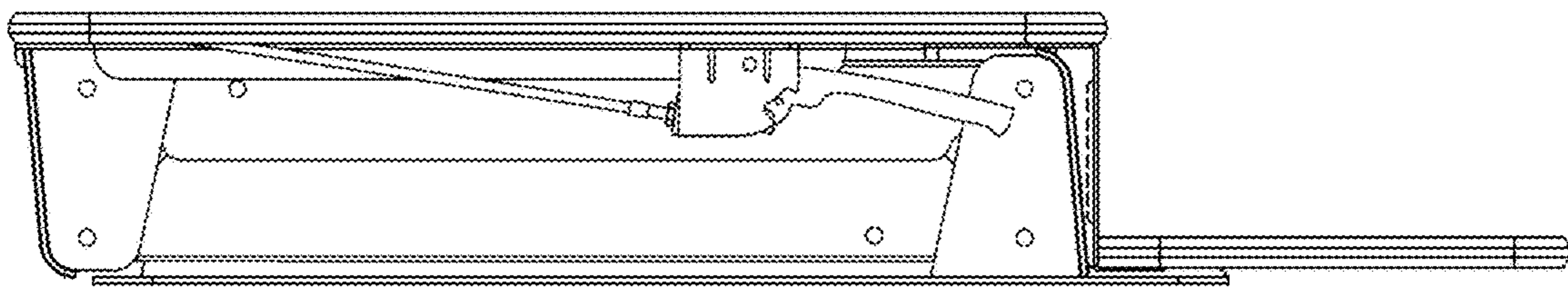


FIG.6

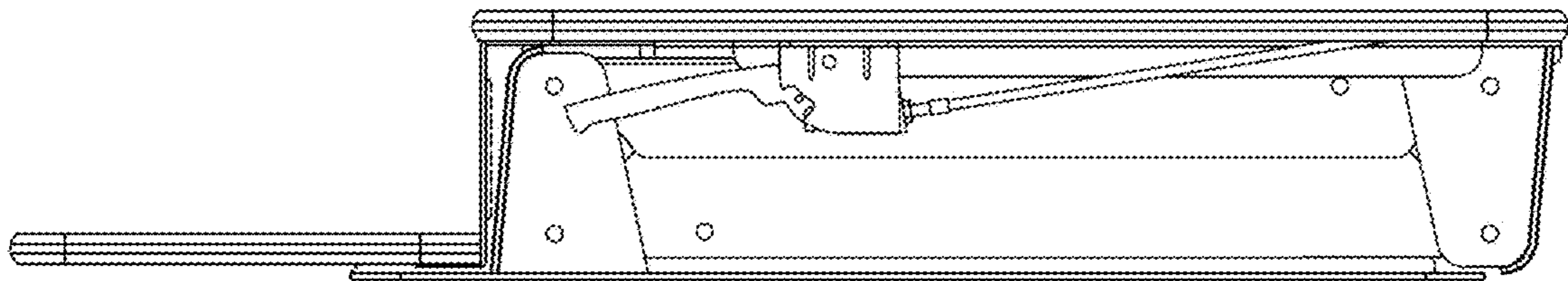


FIG.7

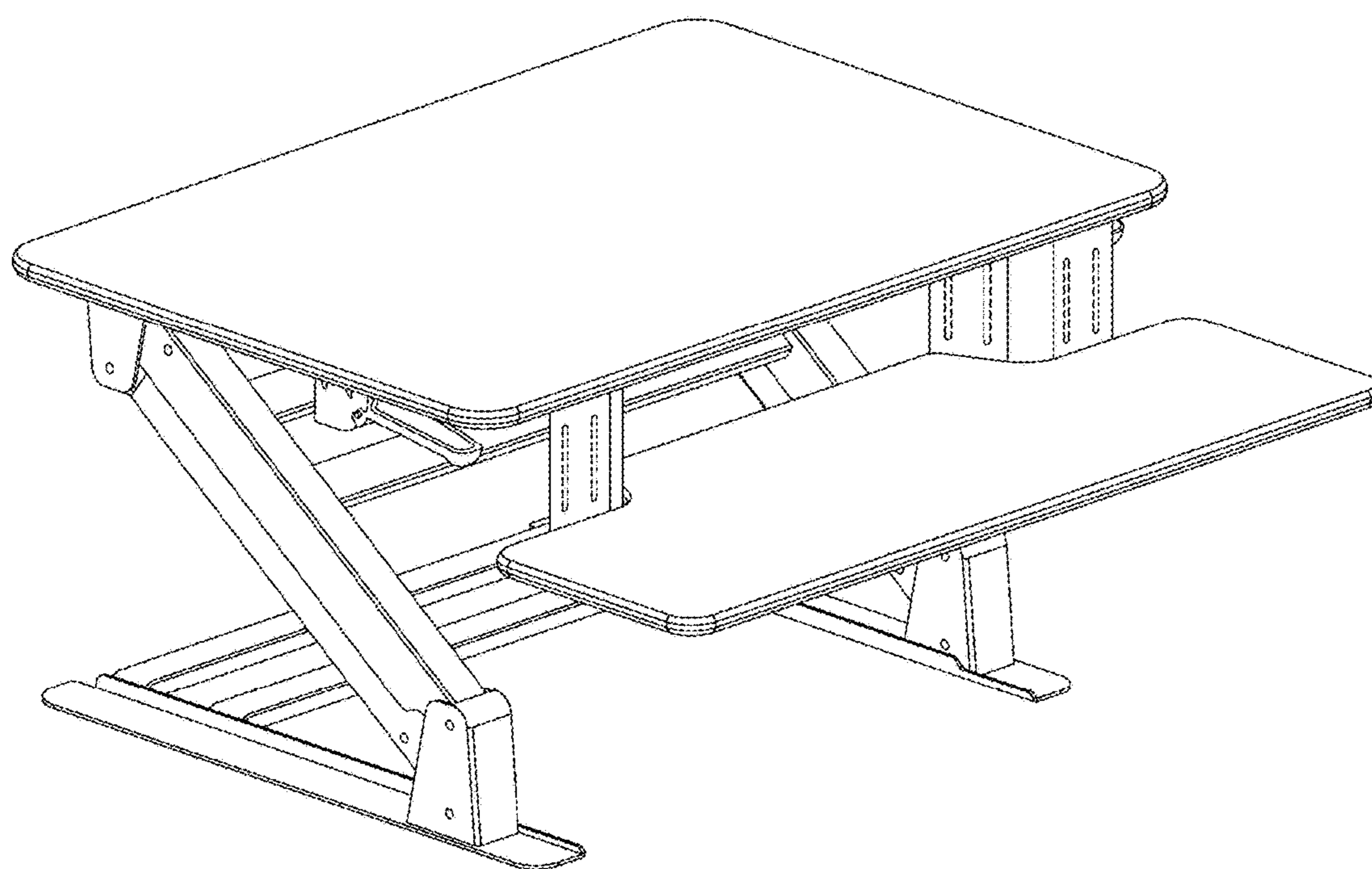


FIG.8

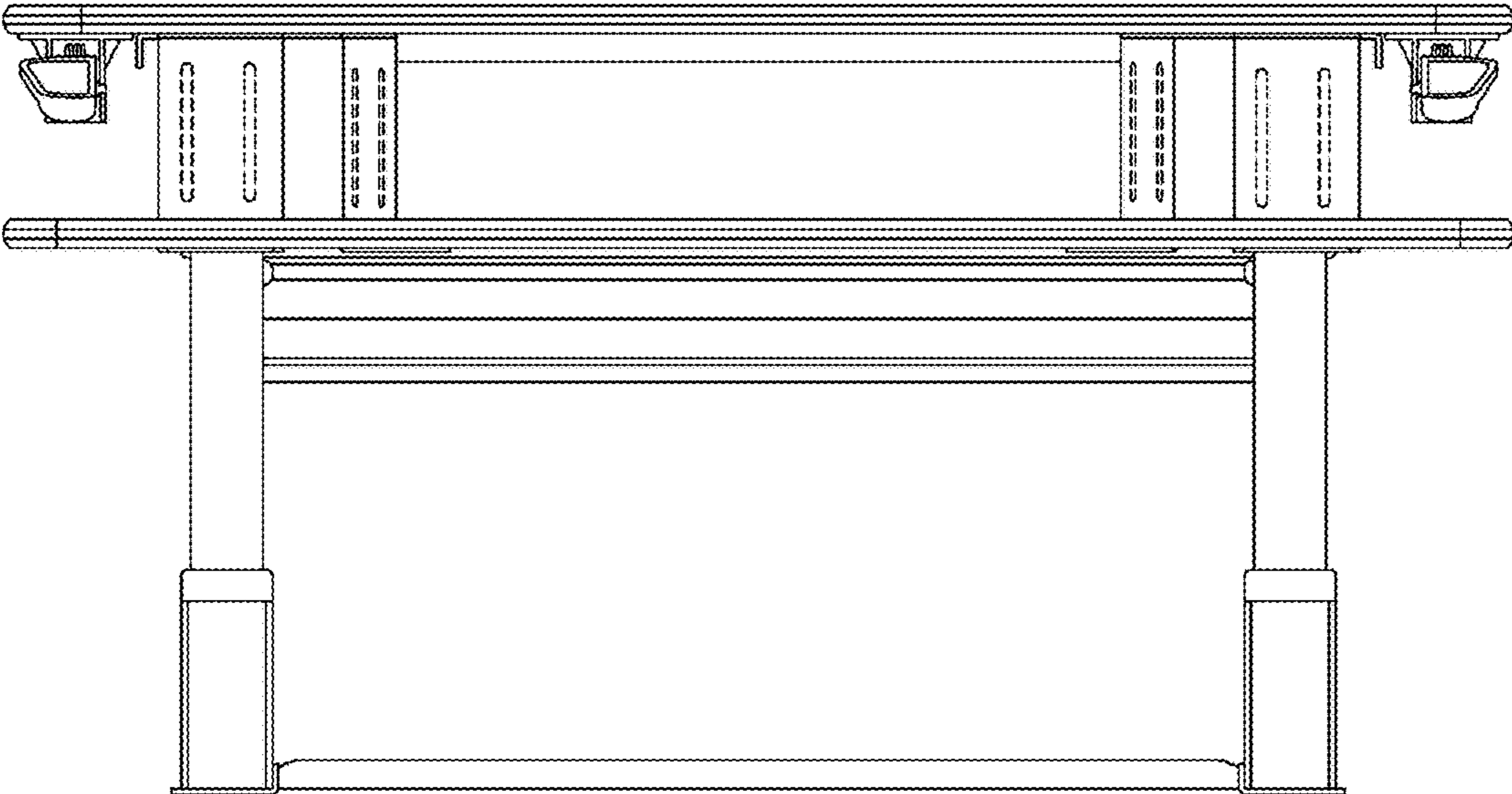


FIG.9

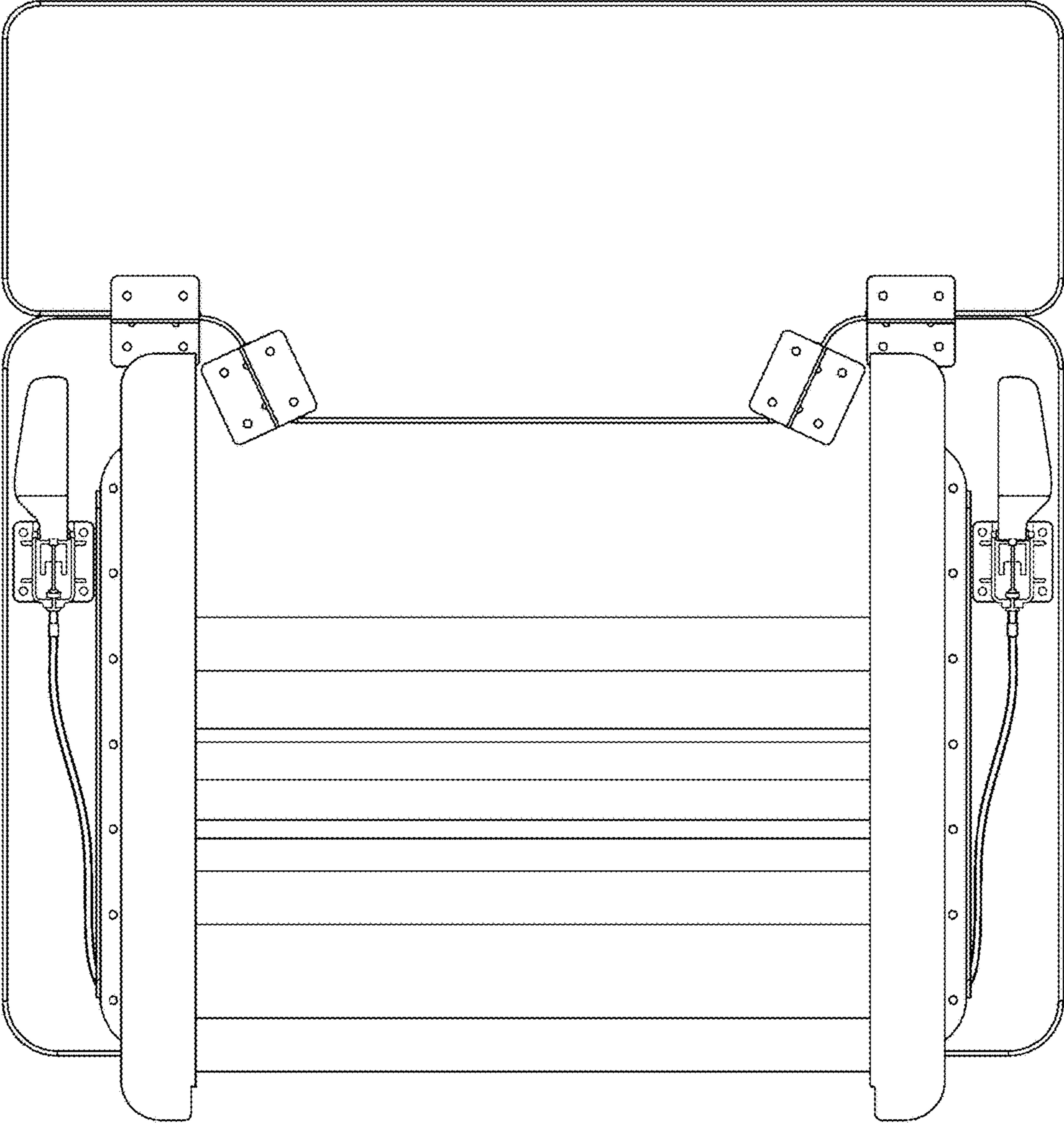


FIG.10

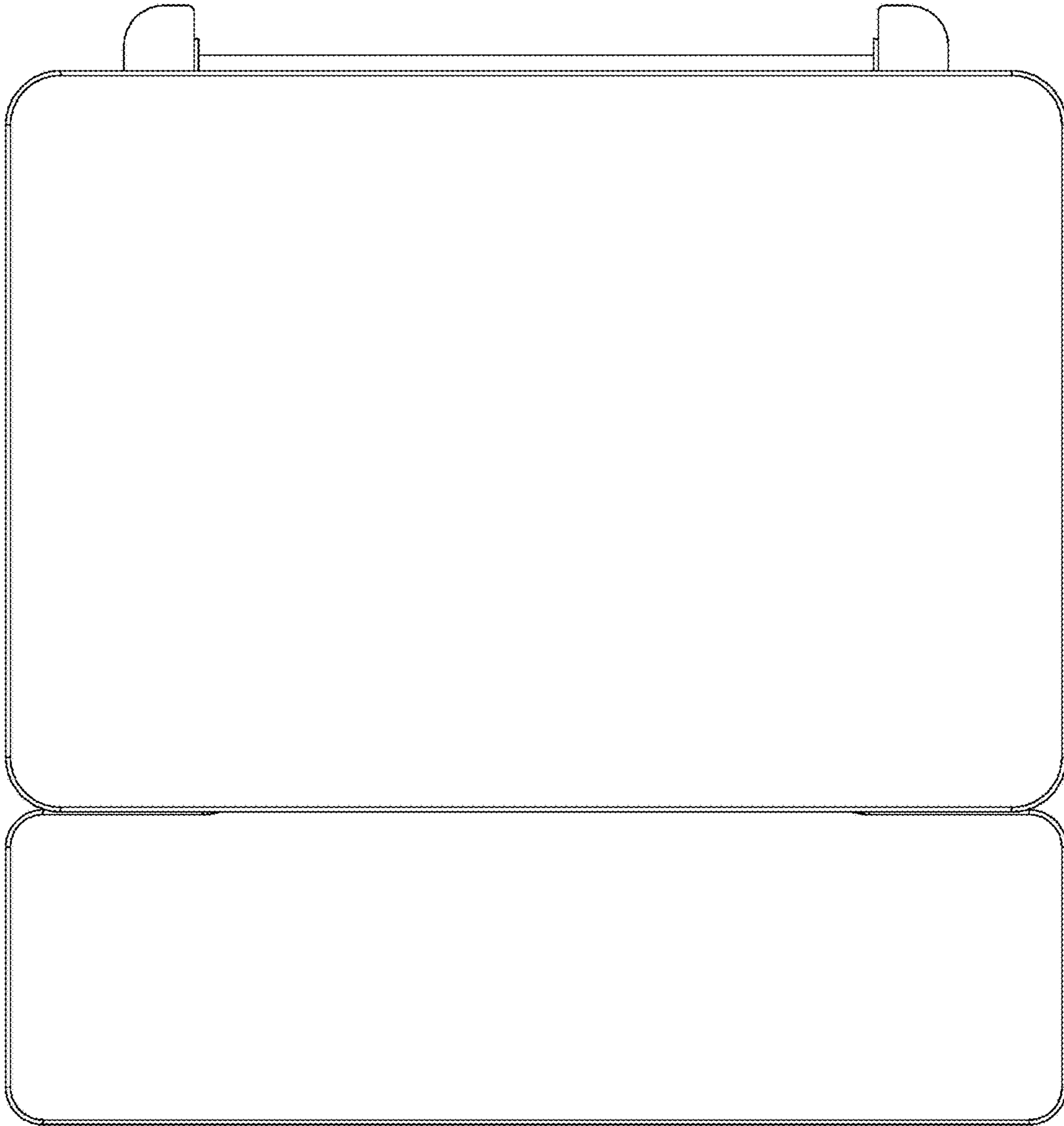


FIG.11

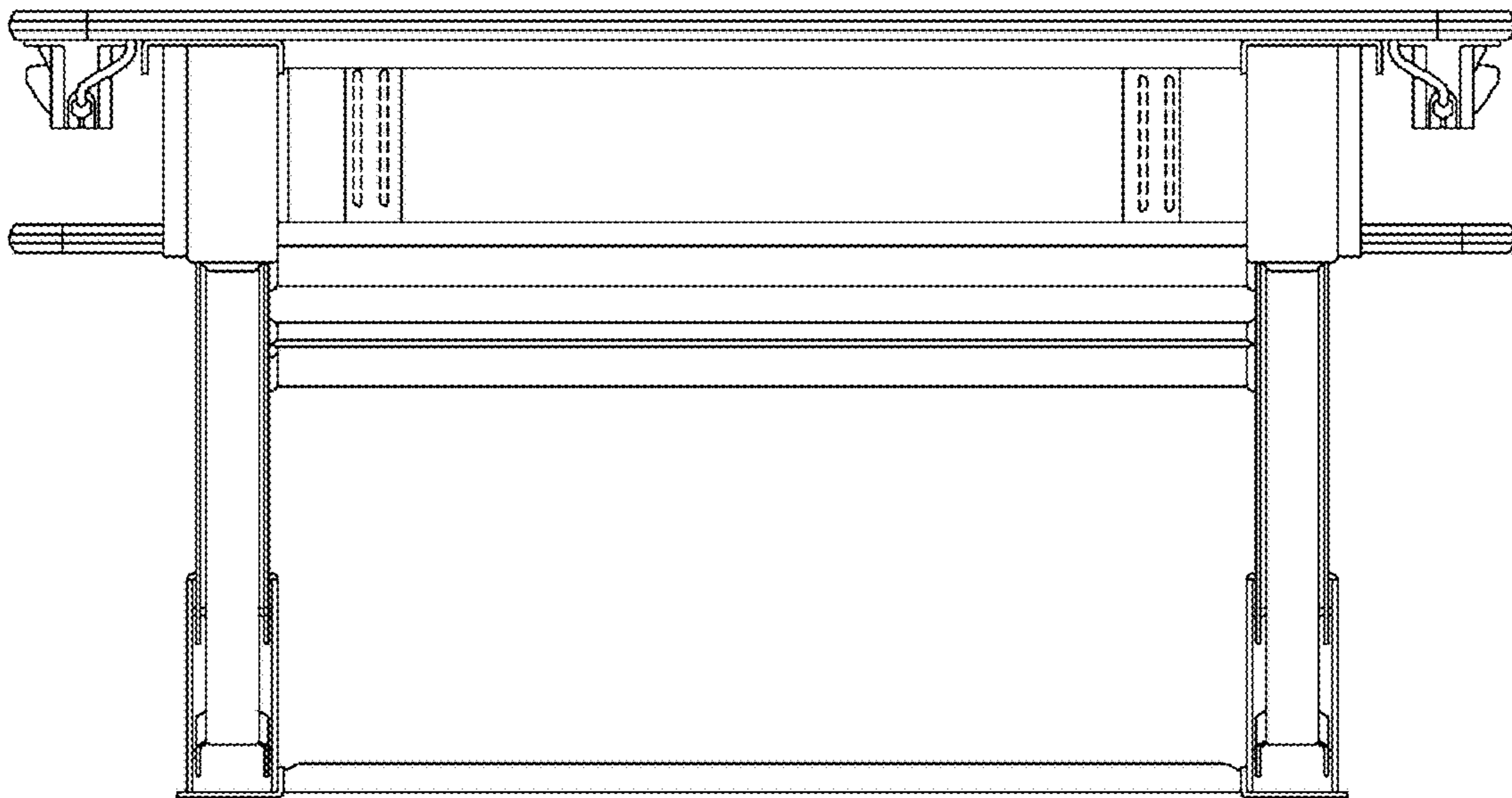


FIG.12

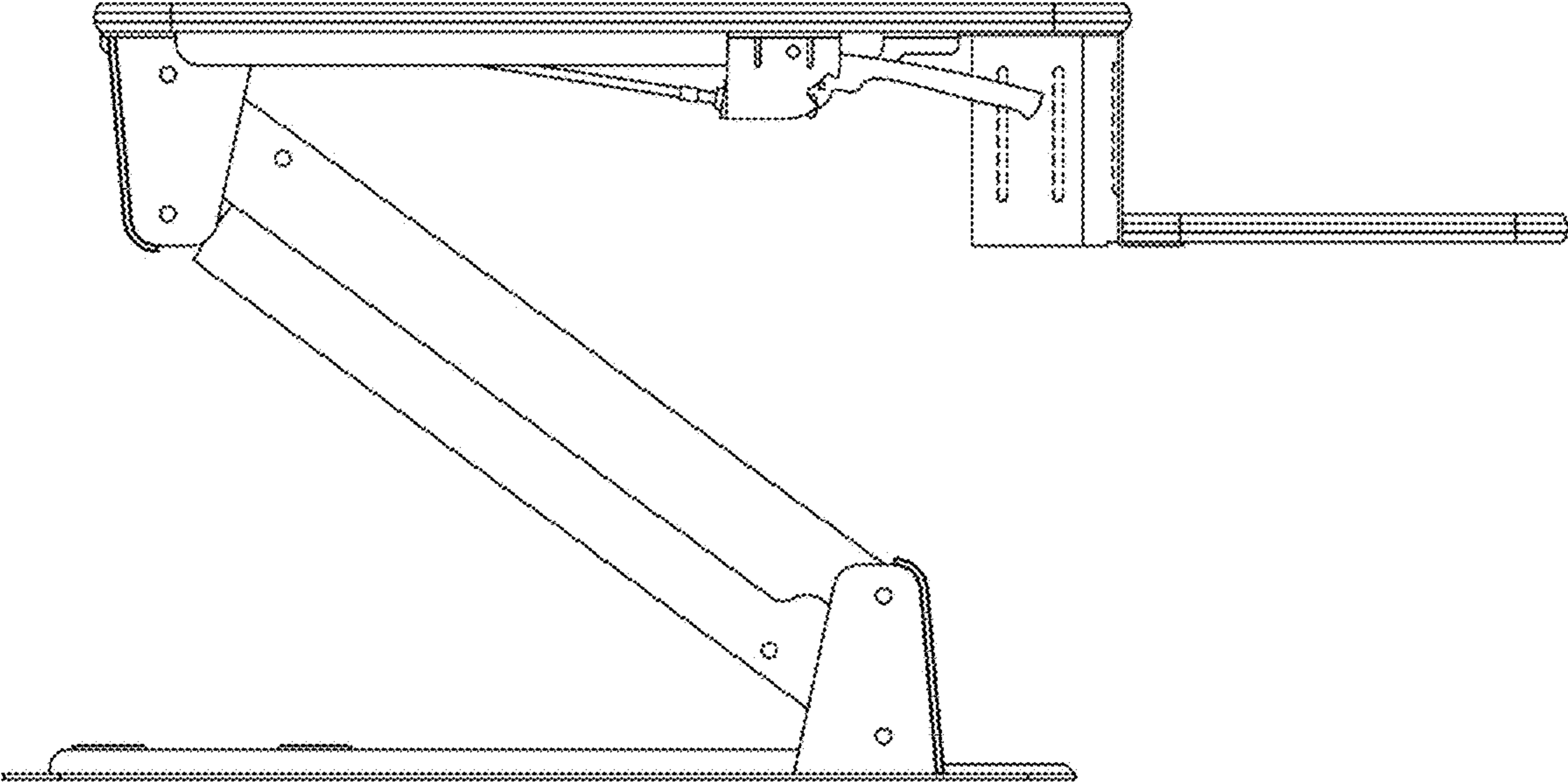


FIG.13

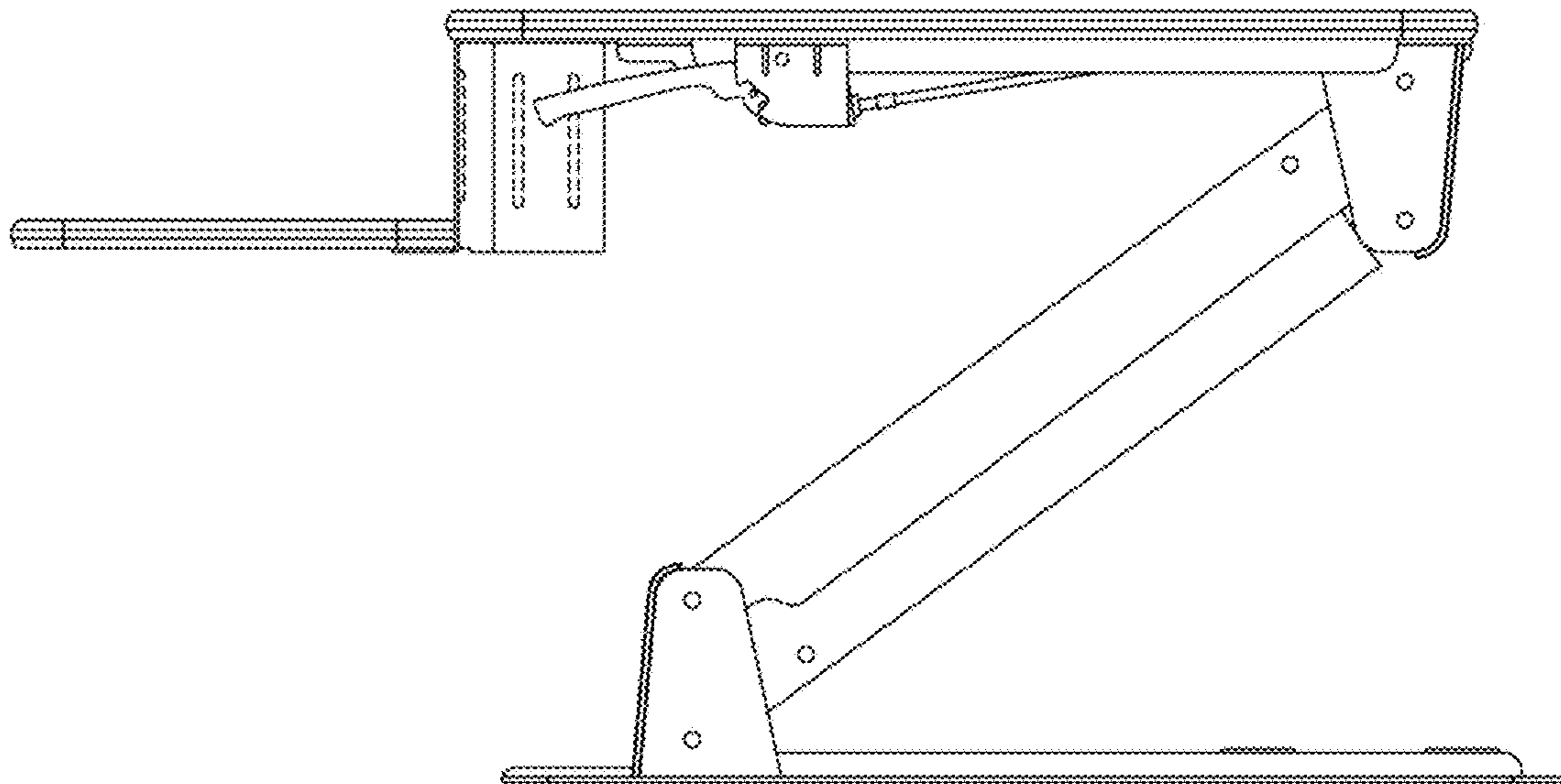


FIG.14