



US00D837572S

(12) **United States Design Patent** (10) **Patent No.:** **US D837,572 S**  
**Roberts et al.** (45) **Date of Patent:** **\*\* Jan. 8, 2019**

(54) **CLICK LOCK CORNER**  
(71) Applicant: **Oddello Industries, LLC**, Morristown, TN (US)

4,319,370 A 3/1982 Robinson  
4,391,008 A 7/1983 Yamaoka et al.  
D277,156 S 1/1985 Hardy  
D278,489 S 4/1985 Ragland  
D282,425 S \* 2/1986 Hager ..... D8/382  
D289,572 S 4/1987 Wanta

(72) Inventors: **Thomas A. Roberts**, Dandridge, TN (US); **Shawn M. Parella**, Morristown, TN (US)

(Continued)

FOREIGN PATENT DOCUMENTS

(73) Assignee: **Oddello Industries, LLC**, Morristown, TN (US)

JP 08009776 1/1996  
JP 2001061601 3/2001

(\*\*) Term: **15 Years**

*Primary Examiner* — Michelle E. Wilson

*Assistant Examiner* — Sanjeev Paul

(21) Appl. No.: **29/568,778**

(74) *Attorney, Agent, or Firm* — Shaddock Law Group, PC

(22) Filed: **Jun. 21, 2016**

(57) **CLAIM**

(51) **LOC (11) Cl.** ..... **06-99**

The ornamental design for a click lock corner, as shown and described.

(52) **U.S. Cl.**

USPC ..... **D6/606**

(58) **Field of Classification Search**

**DESCRIPTION**

USPC ..... D6/333, 349, 355, 375, 388, 512, 563, D6/564, 595, 596, 601, 604, 611, 707, D6/715, 716, 716.1; D24/183–185, 234; D21/803, 804, 805, 809; 5/401, 420, 5/600, 630, 631, 632, 633, 635, 636, 638, 5/639, 646, 652, 652.1, 655, 703, 730; 297/1, 2, 4, 93, 180.11, 195.1, 195.11, 297/195.13, 393, 397, 452.12, 452.14, 297/452.15, 452.21, 452.24, 452.26, 297/452.48, 452.62, 482; D8/382  
CPC ..... A47G 9/10; A47G 9/1009; A47G 9/1027; A47G 9/1045; A47G 9/1063; A47G 9/1072; A47G 9/1081

FIG. 1 is left, side perspective view of a click lock corner, showing our new design;  
FIG. 2 is a right, side perspective view thereof;  
FIG. 3 is an upper, left perspective view thereof;  
FIG. 4 is an upper, right perspective view thereof;  
FIG. 5 is a lower, left perspective view thereof;  
FIG. 6 is a lower, right side perspective view thereof;  
FIG. 7 is an upper, front perspective view thereof;  
FIG. 8 is a lower, front perspective view thereof;  
FIG. 9 is a rear, right perspective view thereof;  
FIG. 10 is a rear, left perspective view thereof;  
FIG. 11 is a front view thereof;  
FIG. 12 is a rear view thereof;  
FIG. 13 is a left, side view thereof;  
FIG. 14 is a right, side view thereof;  
FIG. 15 is a left, corner view thereof;  
FIG. 16 is a right, corner view thereof;  
FIG. 17 is a top view thereof; and,  
FIG. 18 is a bottom view thereof.

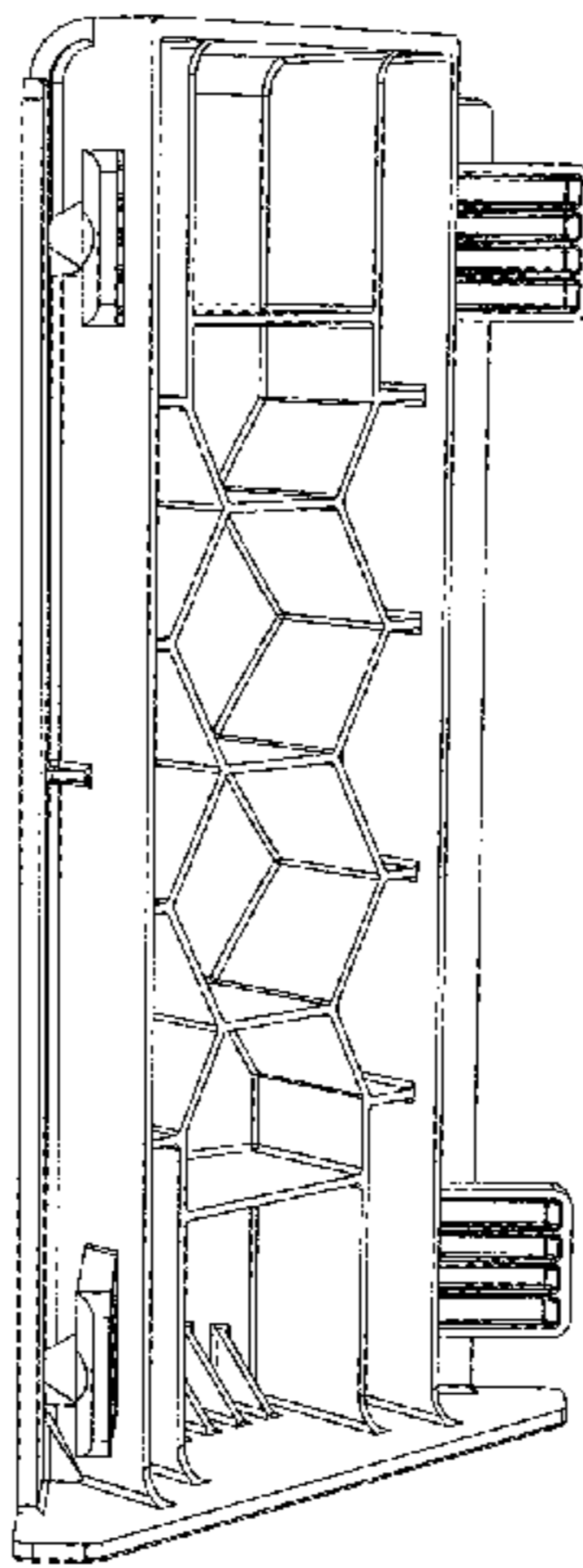
See application file for complete search history.

(56) **References Cited**

U.S. PATENT DOCUMENTS

2,063,720 A 12/1936 Blau  
3,736,605 A 6/1973 Klein  
D229,384 S 11/1973 Groce  
4,128,284 A 12/1978 King

**1 Claim, 9 Drawing Sheets**



(56)

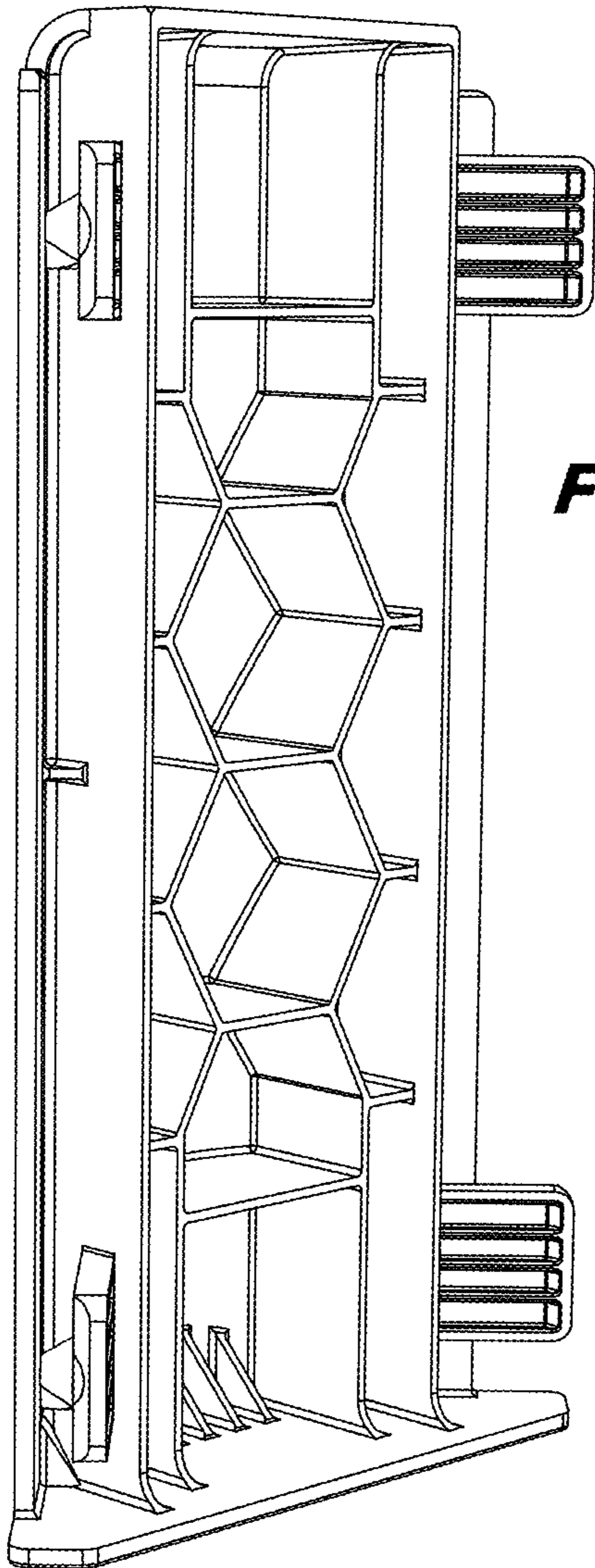
References Cited

U.S. PATENT DOCUMENTS

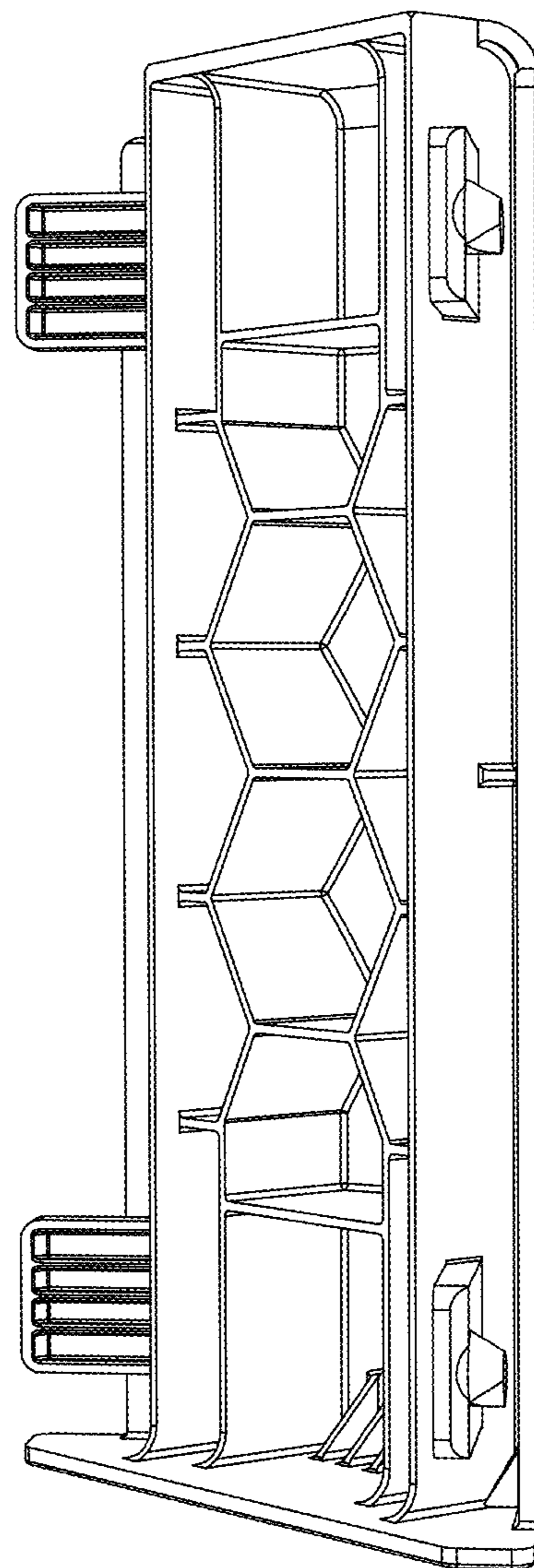
4,729,136 A 3/1988 Santo  
4,734,946 A 4/1988 Saputo  
4,970,743 A 11/1990 Wride  
5,099,529 A 3/1992 Anderson  
5,469,589 A 11/1995 Steed et al.  
5,564,140 A 10/1996 Shoenhair et al.  
D384,537 S 10/1997 Quintile  
5,709,500 A 1/1998 Mizelle et al.  
5,758,372 A 6/1998 Lopez  
5,884,385 A 3/1999 Quintile  
5,953,775 A 9/1999 Mauro  
D422,201 S 4/2000 Jarnagin et al.  
D427,894 S 7/2000 Benz et al.  
D428,804 S 8/2000 Benz et al.  
6,125,488 A 10/2000 Vogland et al.  
6,155,181 A 12/2000 Chilcutt  
D435,788 S 1/2001 Bunning  
6,286,161 B1 9/2001 McCall  
D484,780 S 1/2004 Barile  
6,978,498 B2 12/2005 Gavela Vazquez  
D599,199 S 9/2009 Roberts et al.  
7,703,155 B1 4/2010 Roberts et al.  
D616,291 S 5/2010 Roberts et al.  
7,900,300 B1 3/2011 Roberts et al.  
3,020,224 A1 9/2011 Turnbull  
D648,160 S \* 11/2011 Le ..... D8/382

D653,939 S \* 2/2012 Roberts ..... D8/382  
8,122,537 B1 2/2012 Roberts  
8,490,228 B2 7/2013 Blyskal  
8,499,956 B2 8/2013 Westrate  
8,584,277 B1 11/2013 Roberts  
8,607,380 B2 12/2013 Chang  
D716,136 S \* 10/2014 Roberts ..... D8/382  
D717,158 S \* 11/2014 Roberts ..... D8/382  
D719,014 S \* 12/2014 Roberts ..... D8/382  
D731,881 S 6/2015 Roberts  
9,080,304 B1 7/2015 Roberts  
D753,476 S \* 4/2016 Roberts ..... D8/382  
9,352,875 B1 \* 5/2016 Roberts ..... B65D 19/0002  
9,422,961 B1 \* 8/2016 Roberts ..... A47B 88/941  
9,474,383 B1 \* 10/2016 Roberts ..... A47C 19/02  
9,726,208 B1 \* 8/2017 Roberts ..... A47C 23/005  
D816,375 S \* 5/2018 Roberts ..... D6/606  
2003/0028963 A1 2/2003 McCraw et al.  
2004/0226490 A1 11/2004 Polumbaum  
2005/0028274 A1 2/2005 Hooper  
2005/0039258 A1 2/2005 Gavela Vazquez  
2005/0039259 A1 2/2005 Gladney  
2005/0235417 A1 10/2005 Koughan et al.  
2007/0220680 A1 9/2007 Miller et al.  
2008/0047473 A1 2/2008 Ferguson  
2008/0235868 A1 10/2008 Snitzer et al.  
2010/0319124 A1 12/2010 Turnbull  
2012/0321378 A1 12/2012 Velez

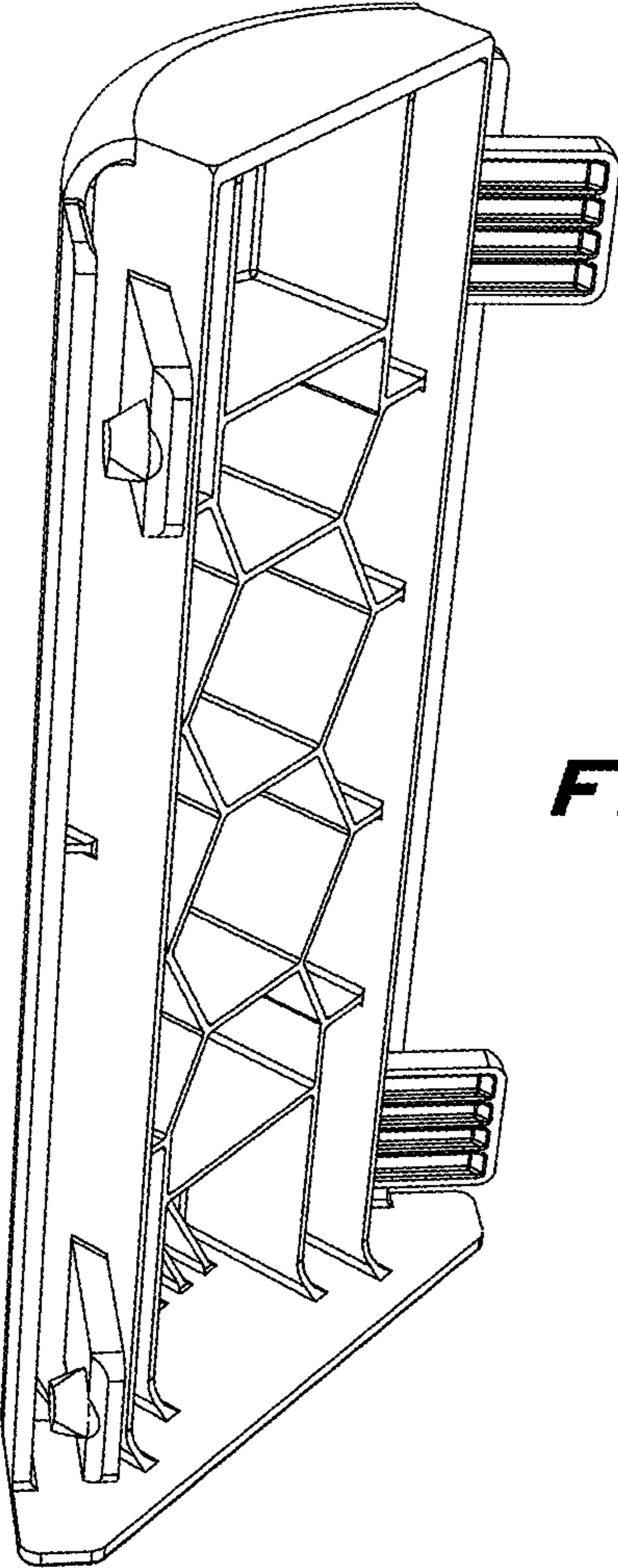
\* cited by examiner



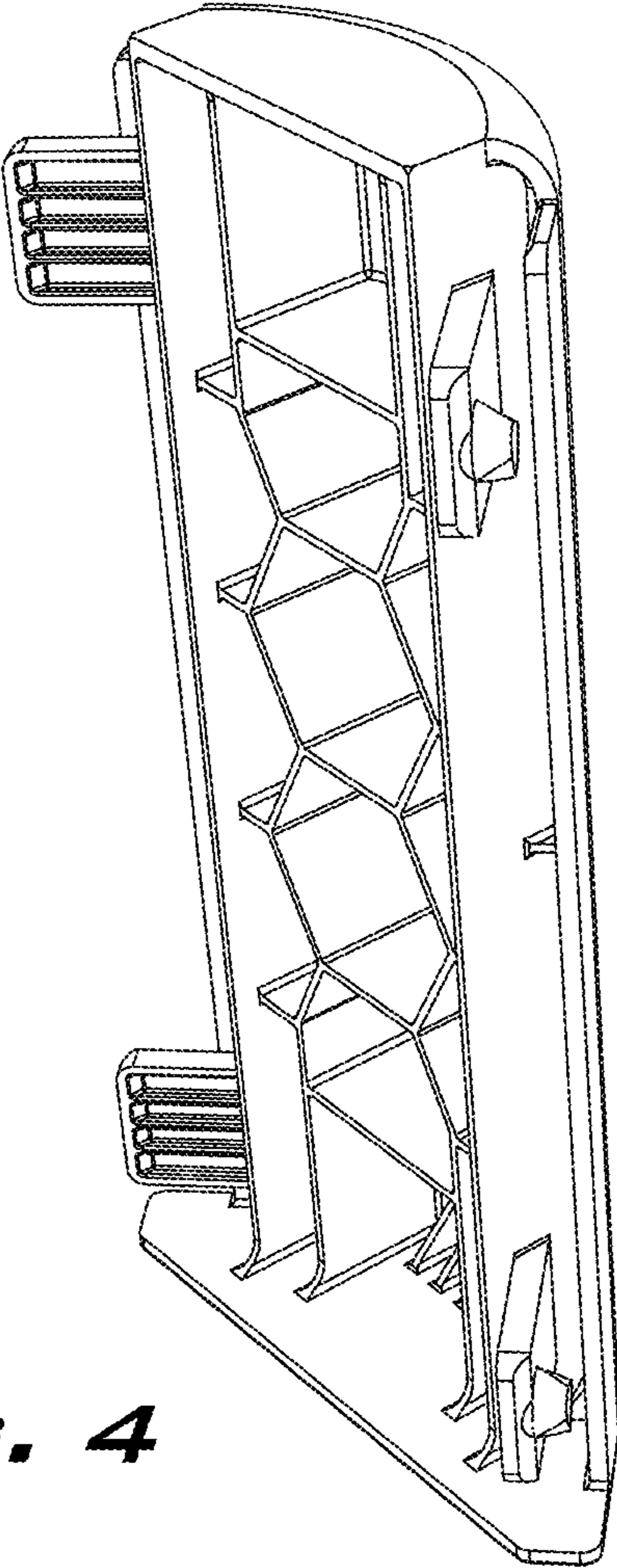
**FIG. 1**



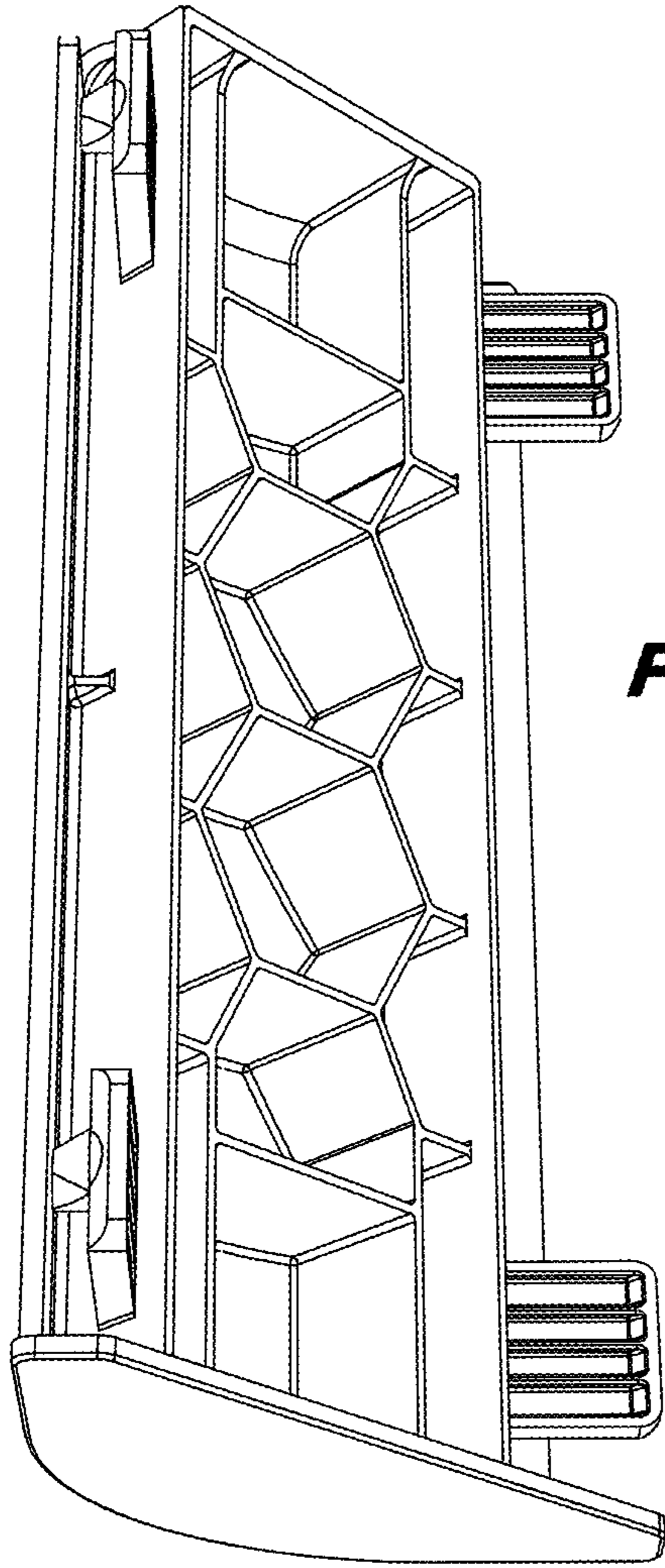
**FIG. 2**



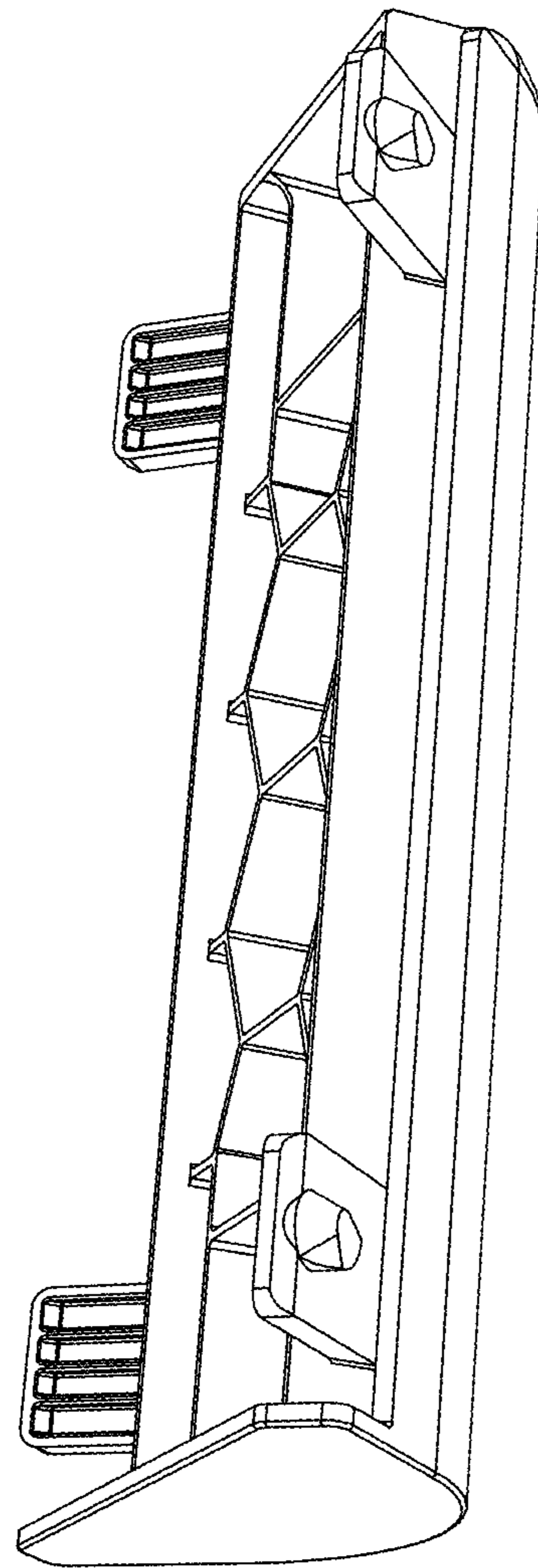
**FIG. 3**



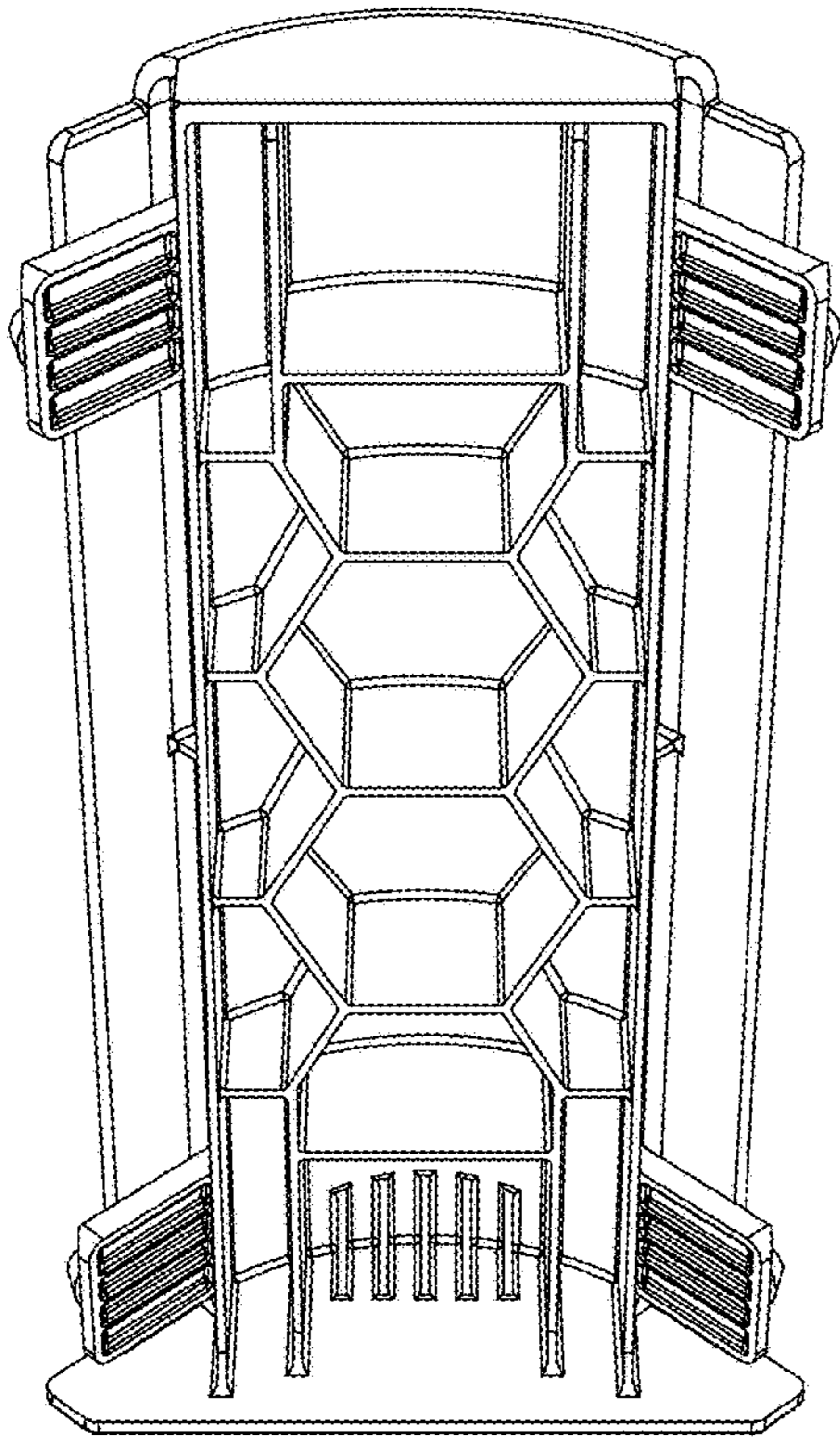
**FIG. 4**



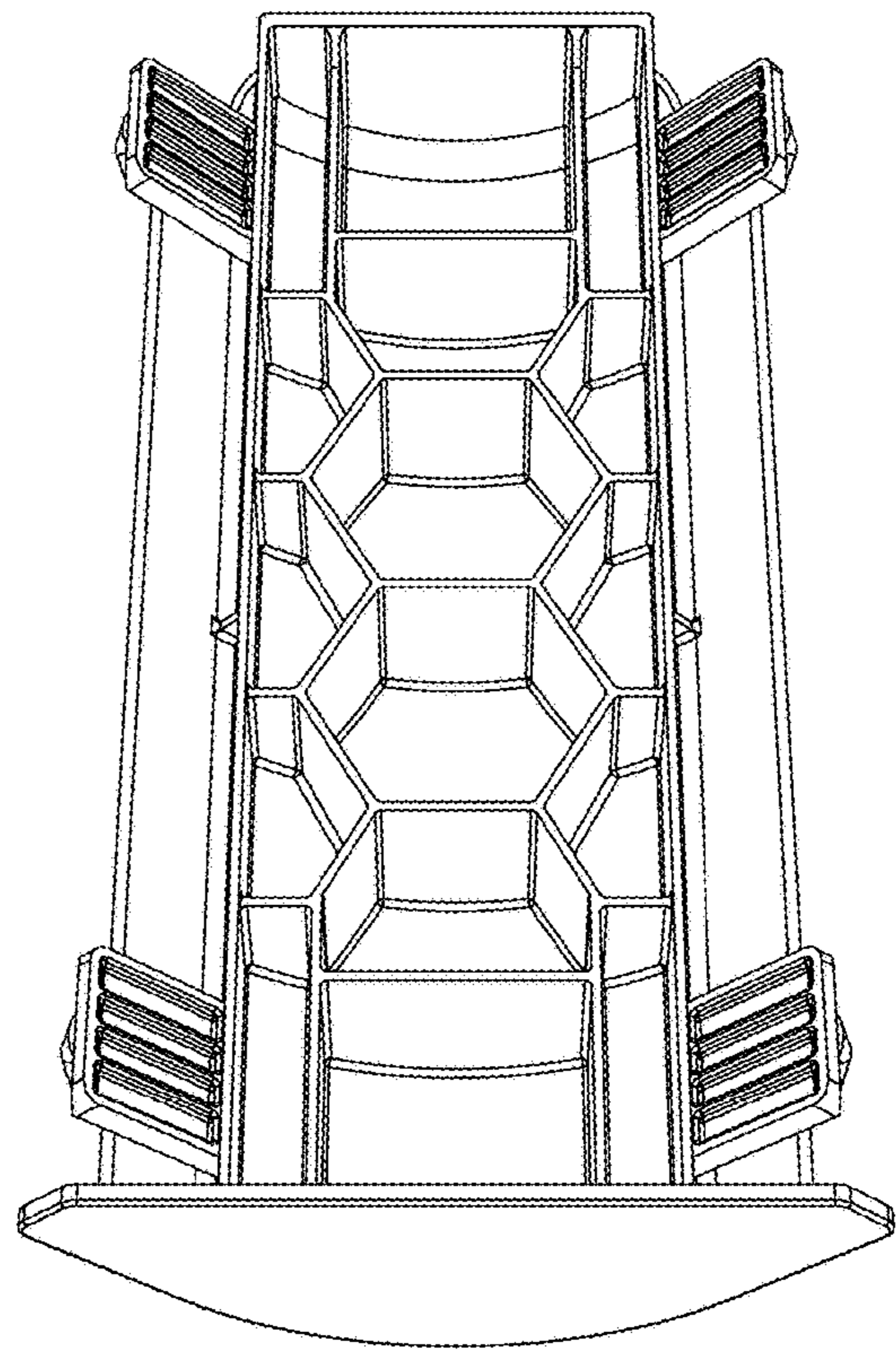
**FIG. 5**



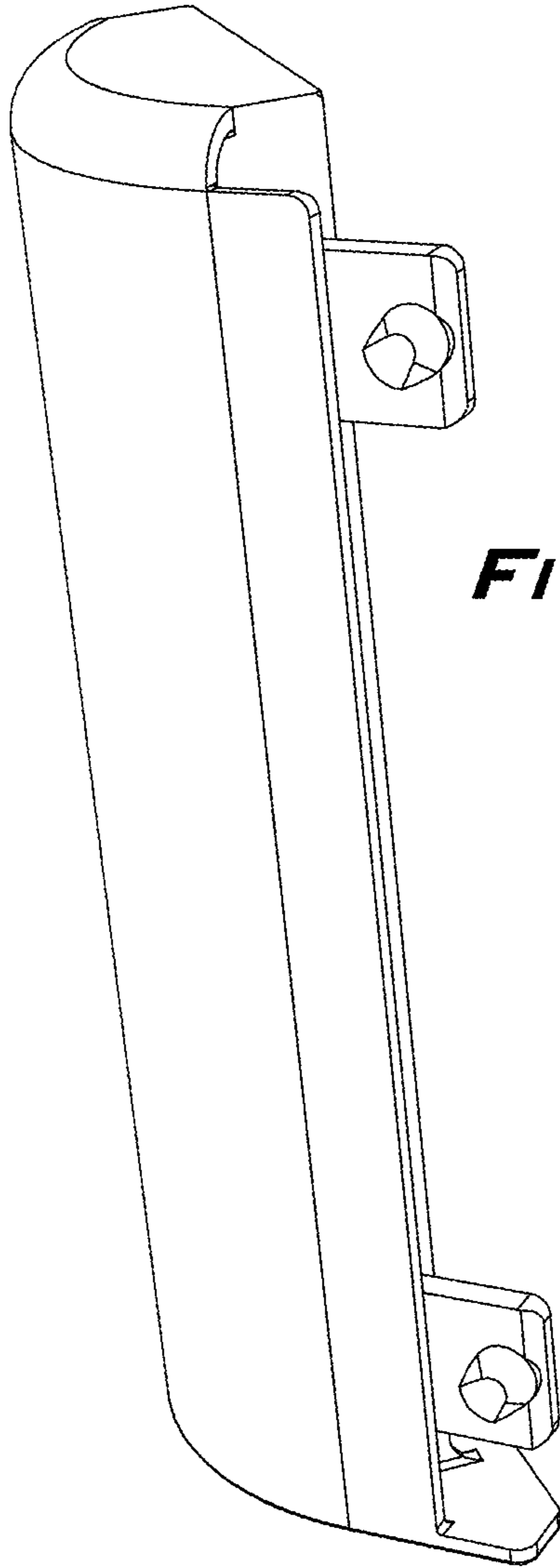
**FIG. 6**



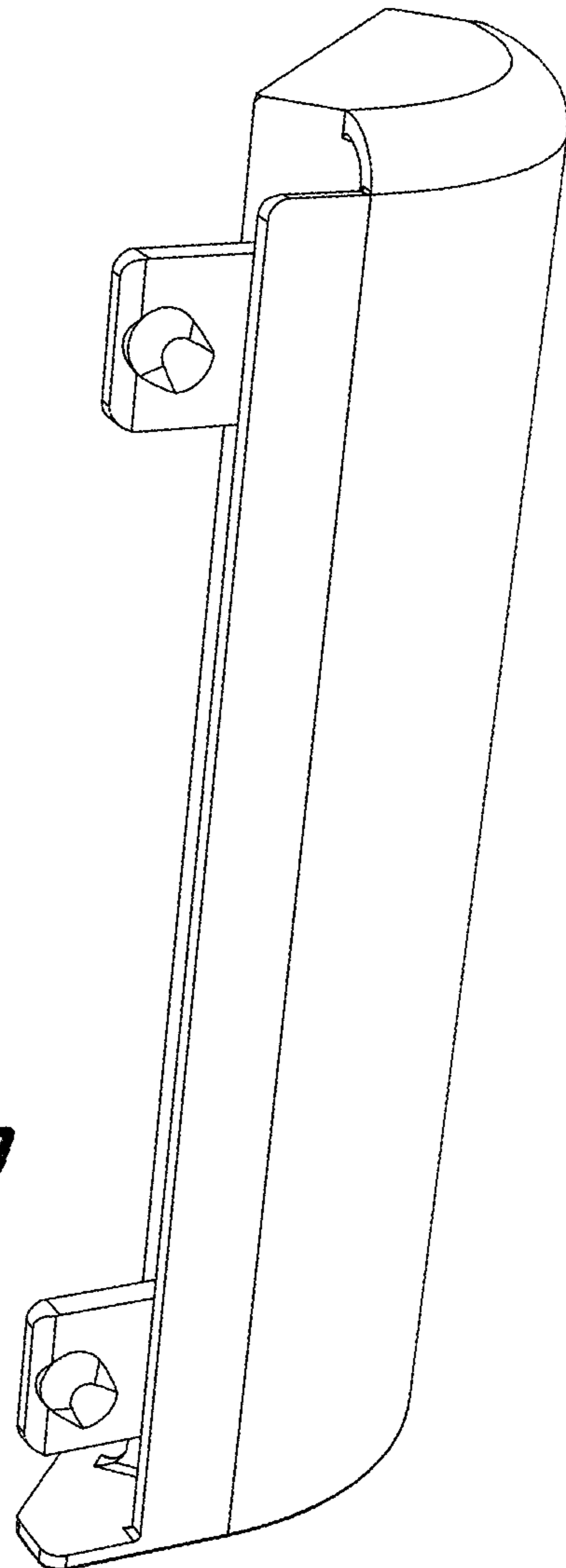
**FIG. 7**



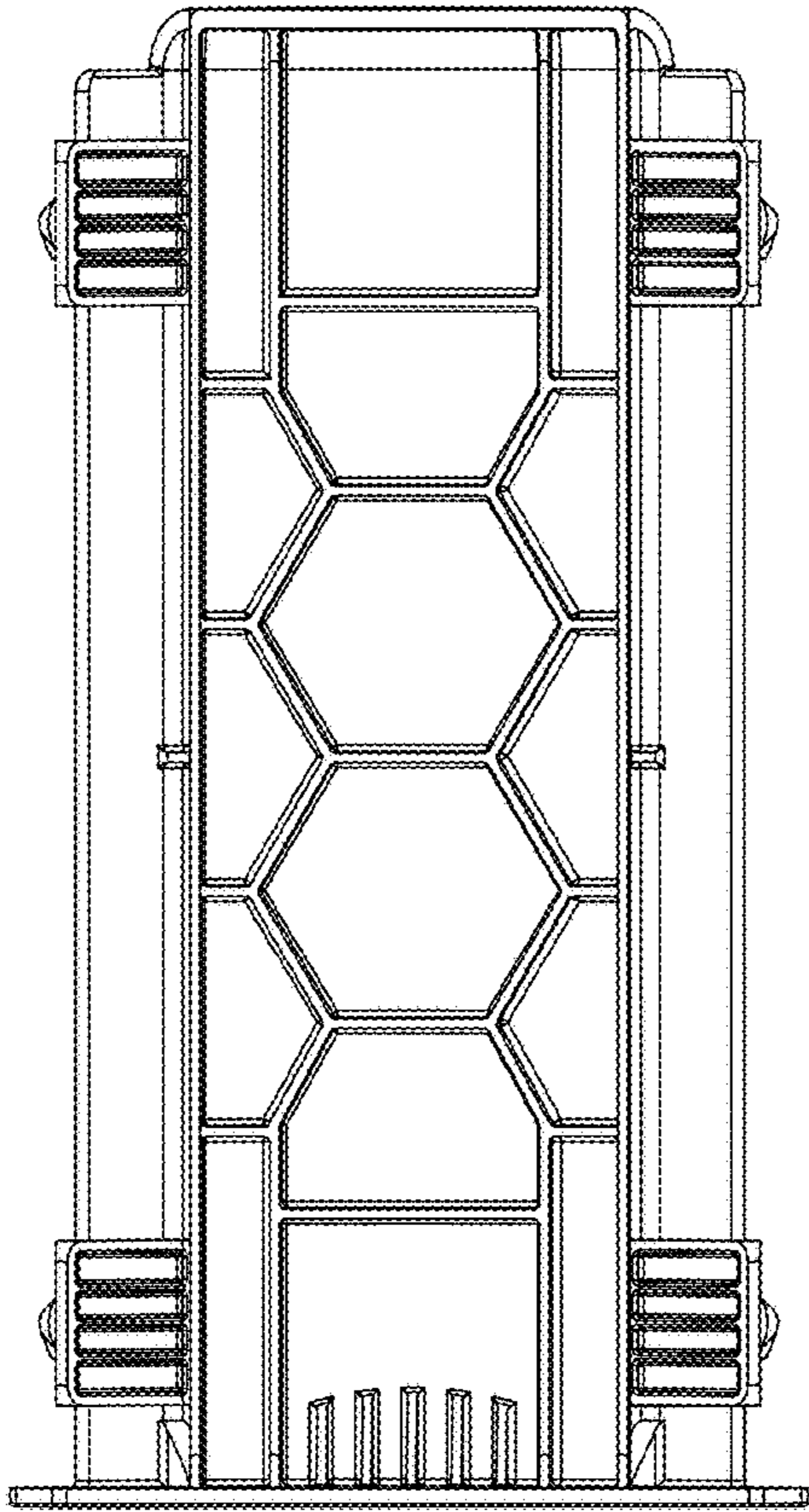
**FIG. 8**



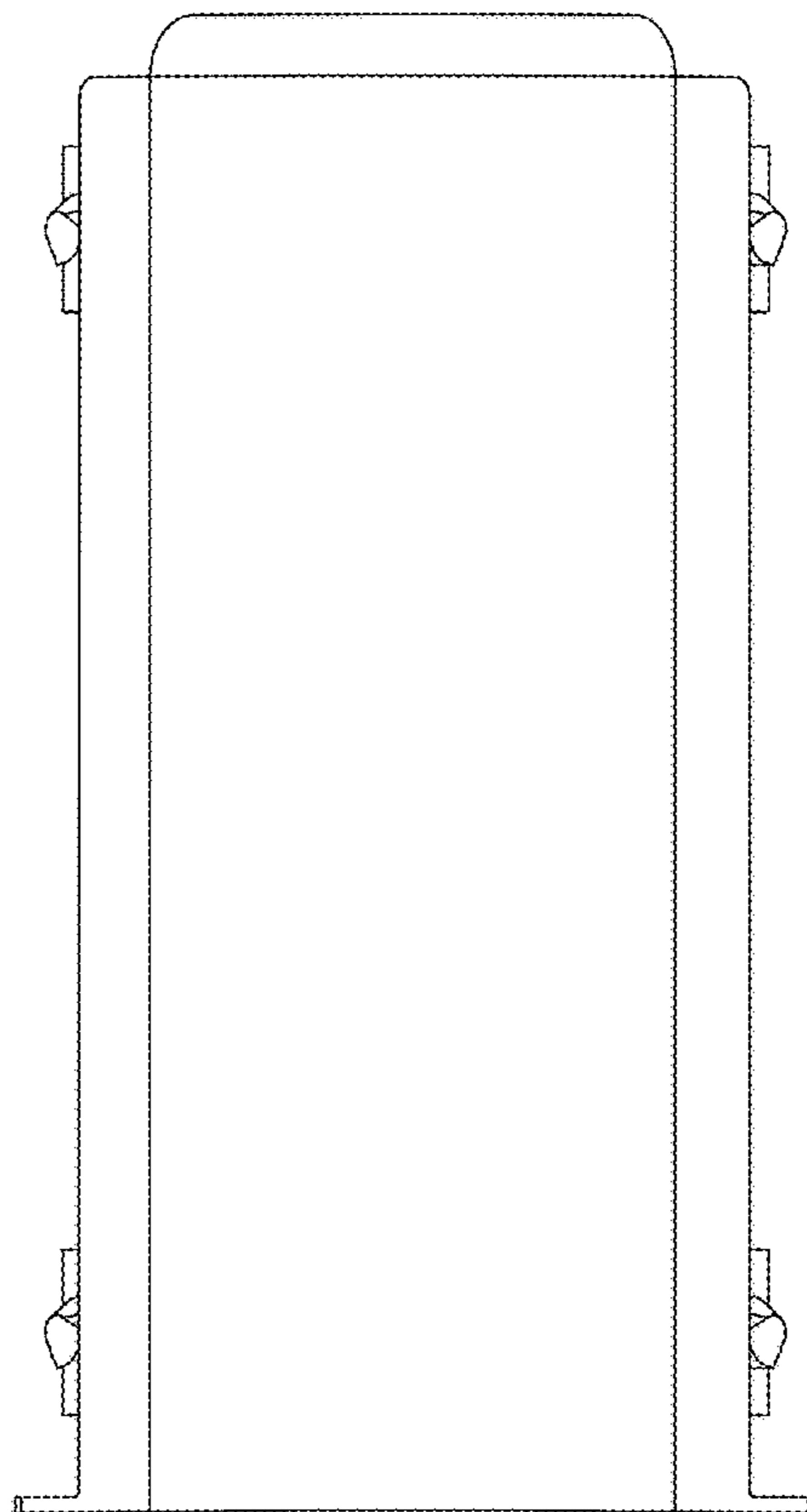
**FIG. 9**



**FIG. 10**

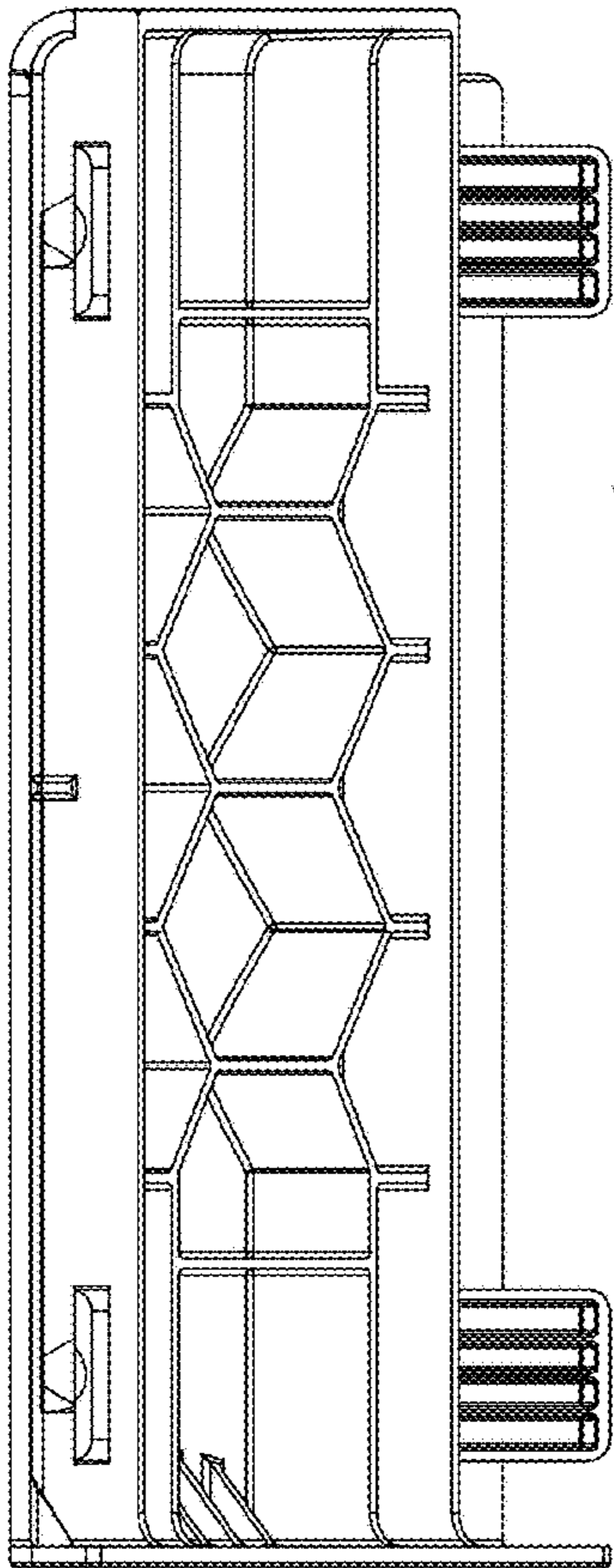


**FIG. 11**

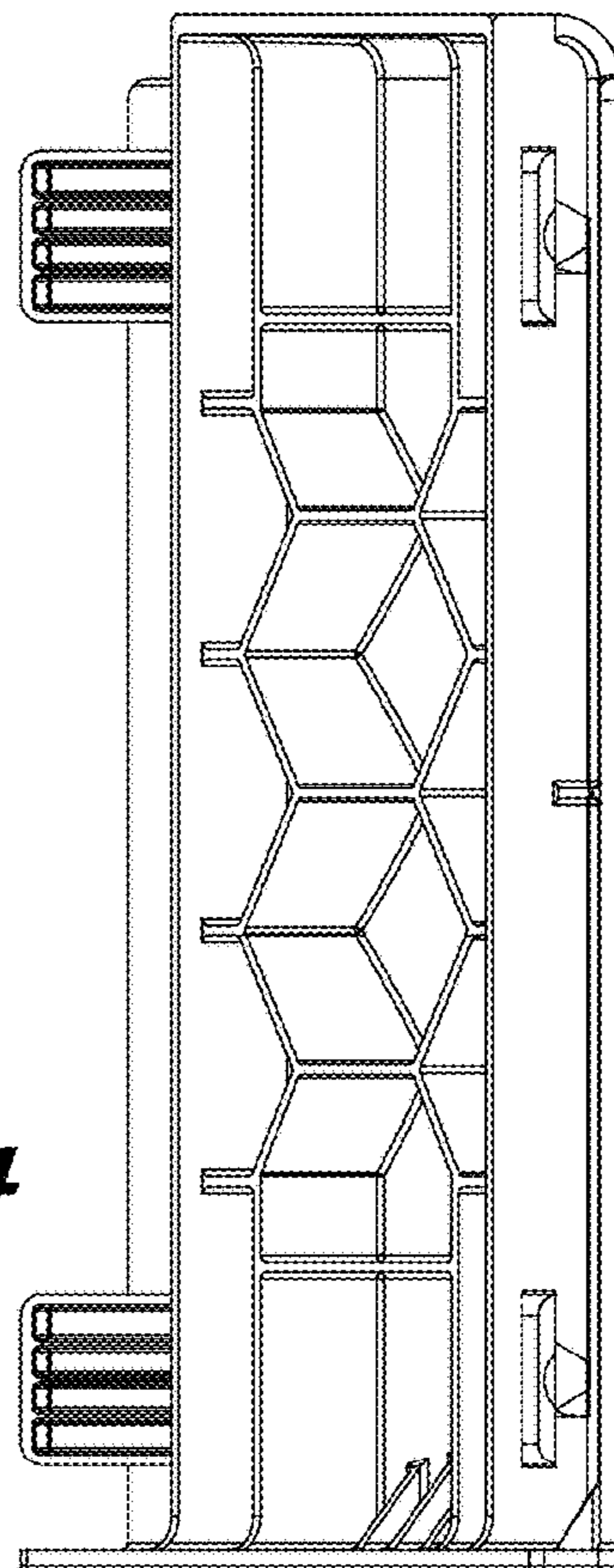


**FIG. 12**

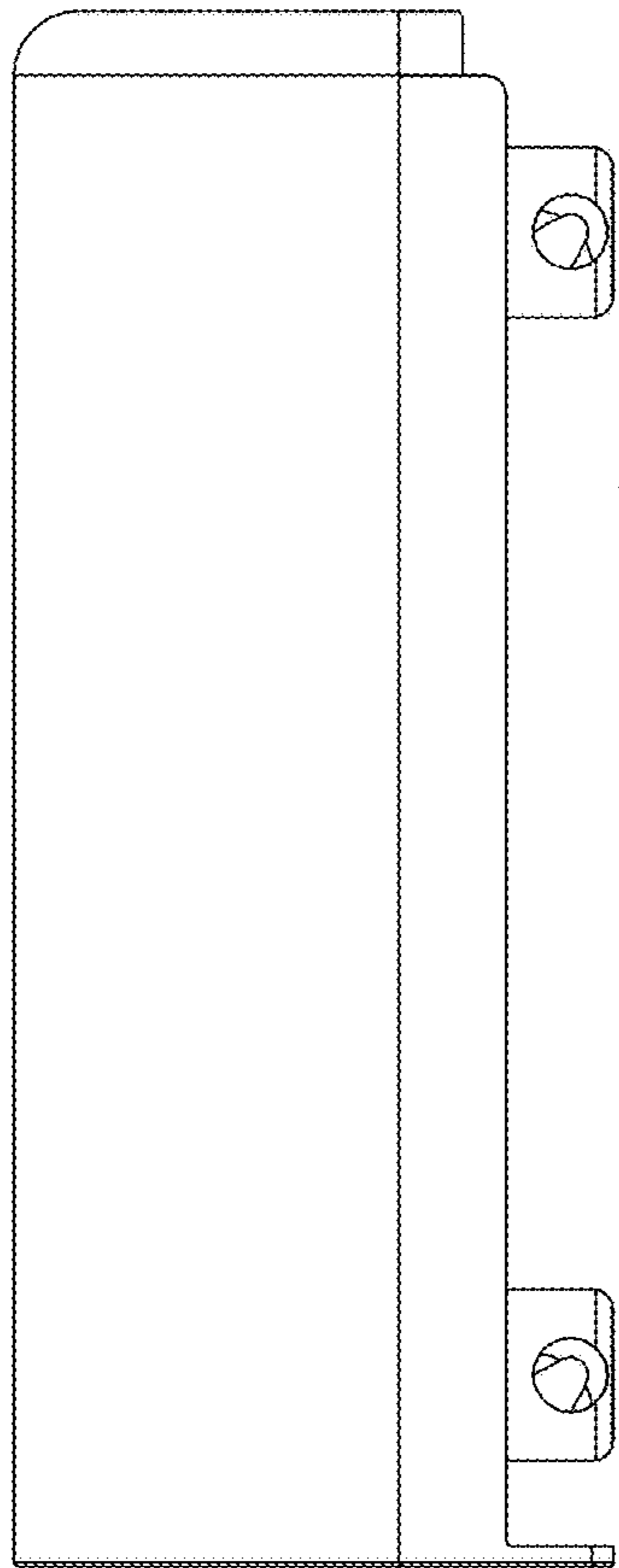




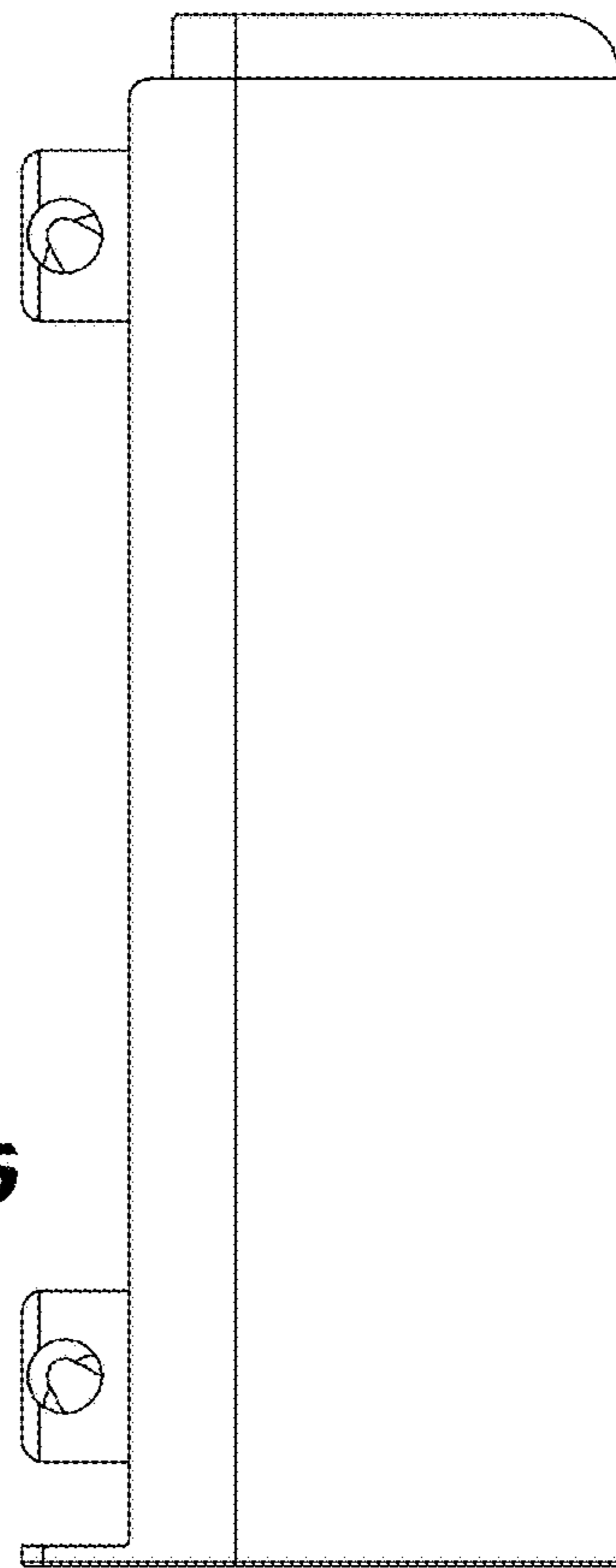
**FIG. 13**



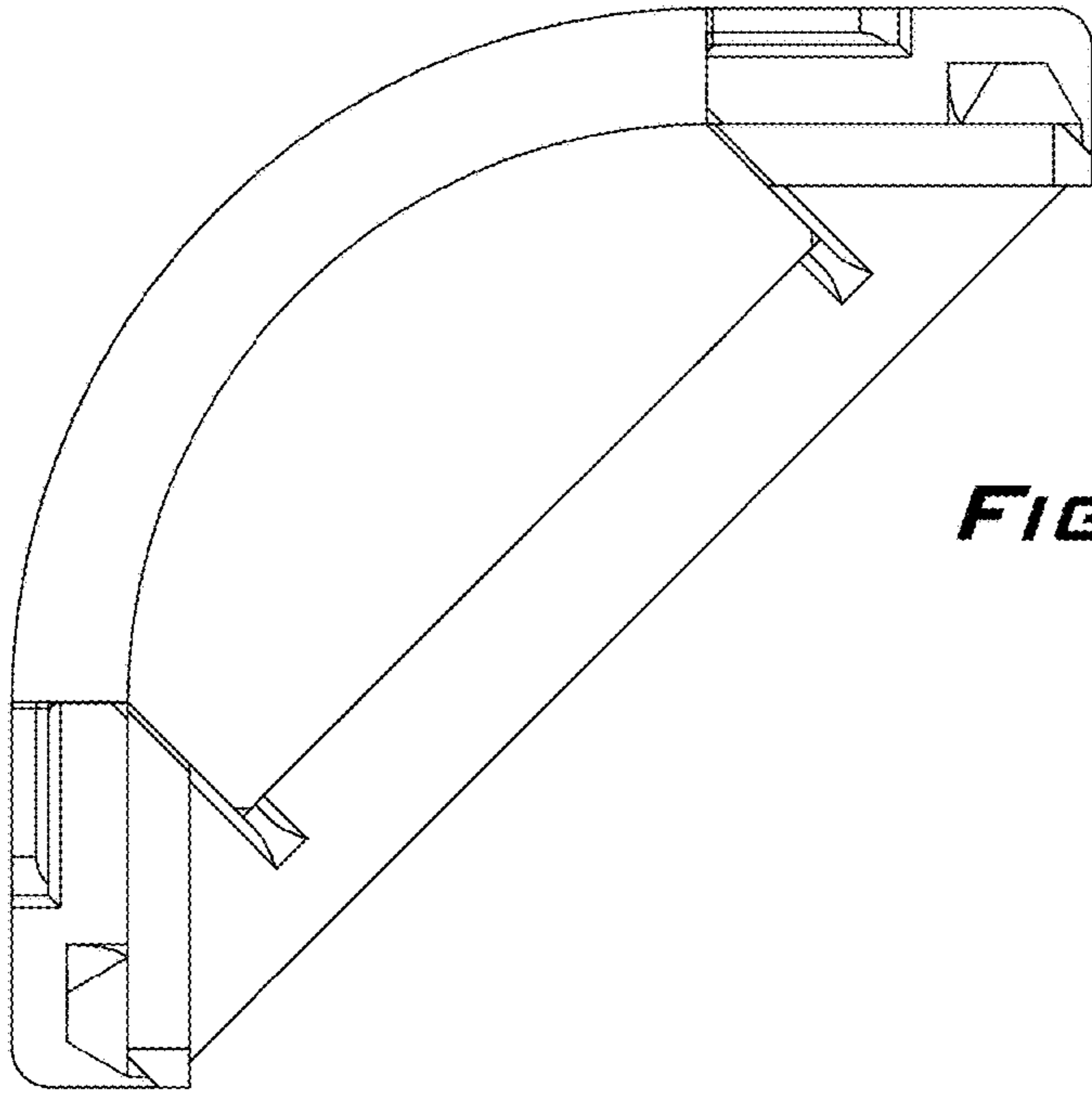
**FIG. 14**



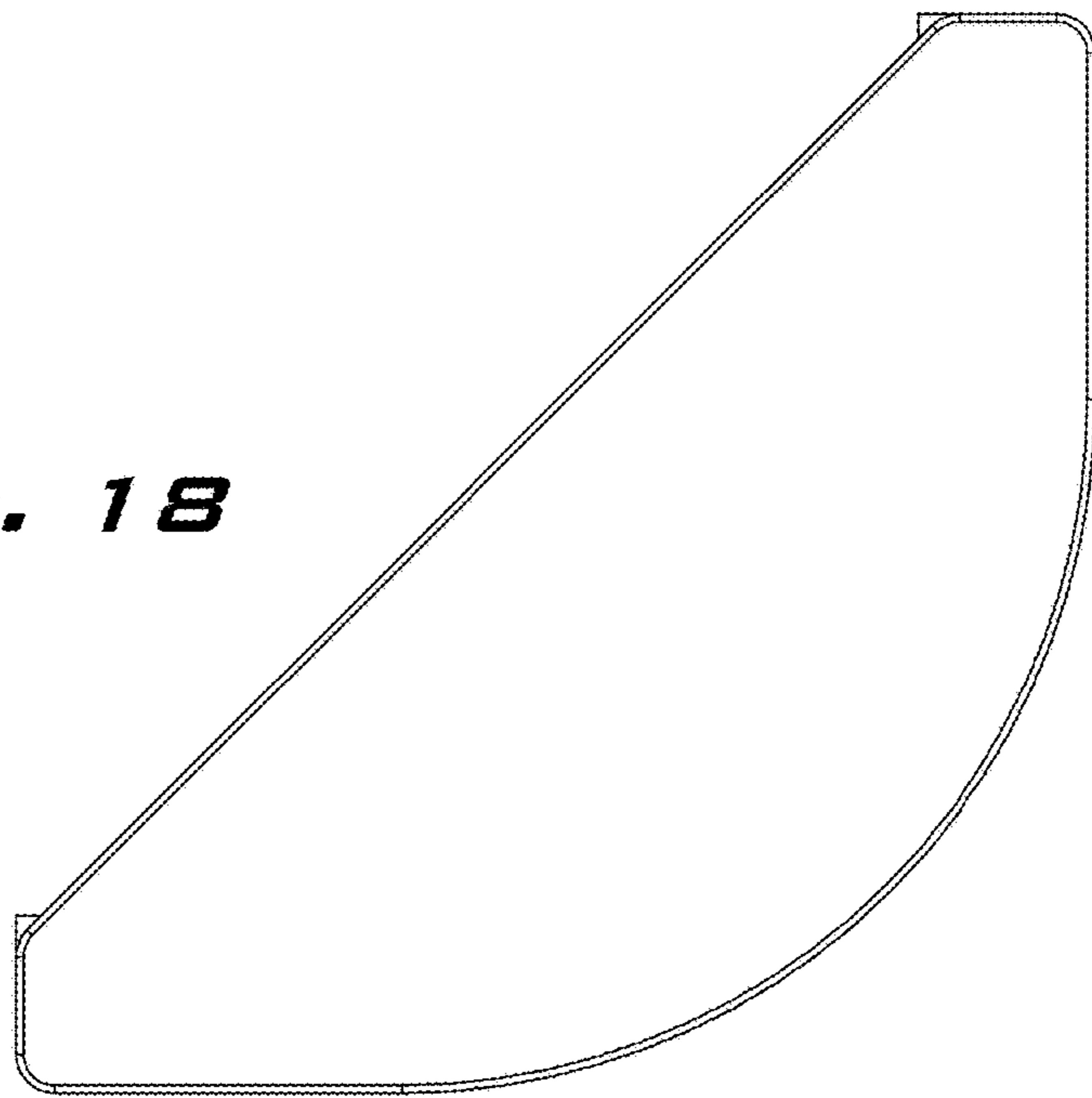
**FIG. 15**



**FIG. 16**



**FIG. 17**



**FIG. 18**