

US00D837571S

(12) **United States Design Patent**  
**Keever**

(10) **Patent No.:** **US D837,571 S**  
(45) **Date of Patent:** **\*\* Jan. 8, 2019**

(54) **MATTRESS ACCESSORY**

(71) Applicant: **COLONIAL, LLC**, High Point, NC  
(US)

(72) Inventor: **Wesley Ray Keever**, High Point, NC  
(US)

(73) Assignee: **COLONIAL, LLC**, High Point, NC  
(US)

(\*\*) Term: **15 Years**

(21) Appl. No.: **29/552,378**

(22) Filed: **Jan. 21, 2016**

(51) **LOC (11) Cl.** ..... **06-13**

(52) **U.S. Cl.**  
USPC ..... **D6/606**

(58) **Field of Classification Search**  
USPC ..... D6/595, 596, 602, 603, 606; 5/495-497  
(Continued)

(56) **References Cited**

**U.S. PATENT DOCUMENTS**

2,729,831 A \* 1/1956 Fuld ..... A47G 9/04  
5/494  
4,161,044 A \* 7/1979 Bogle ..... A47G 9/02  
5/494

(Continued)

**FOREIGN PATENT DOCUMENTS**

DE 202016005724 U1 \* 12/2016 ..... A47G 9/0246  
JP 2000342418 A \* 12/2000

*Primary Examiner* — R. Johnson

(74) *Attorney, Agent, or Firm* — Moore & Van Allen  
PLLC; Nicholas C. Russell

(57) **CLAIM**

The ornamental design for a mattress accessory, as shown and described.

**DESCRIPTION**

FIG. 1 is a perspective view of a mattress accessory in accordance with a first embodiment;

FIG. 2 is a first end view of the mattress accessory of FIG. 1;

FIG. 3 is a second end view of the mattress accessory of FIG. 1;

FIG. 4 is a first side view of the mattress accessory of FIG. 1;

FIG. 5 is a second side view of the mattress accessory of FIG. 1;

FIG. 6 is a top view of the mattress accessory of FIG. 1;

FIG. 7 is a bottom view of the mattress accessory of FIG. 1;

FIG. 8 is a perspective view of a mattress accessory of FIG. 1;

FIG. 9 is a perspective view of a mattress accessory in accordance with a second embodiment;

FIG. 10 is a first end view of the mattress accessory of FIG. 9;

FIG. 11 is a second end view of the mattress accessory of FIG. 9;

FIG. 12 is a first side view of the mattress accessory of FIG. 9;

FIG. 13 is a second side view of the mattress accessory of FIG. 9;

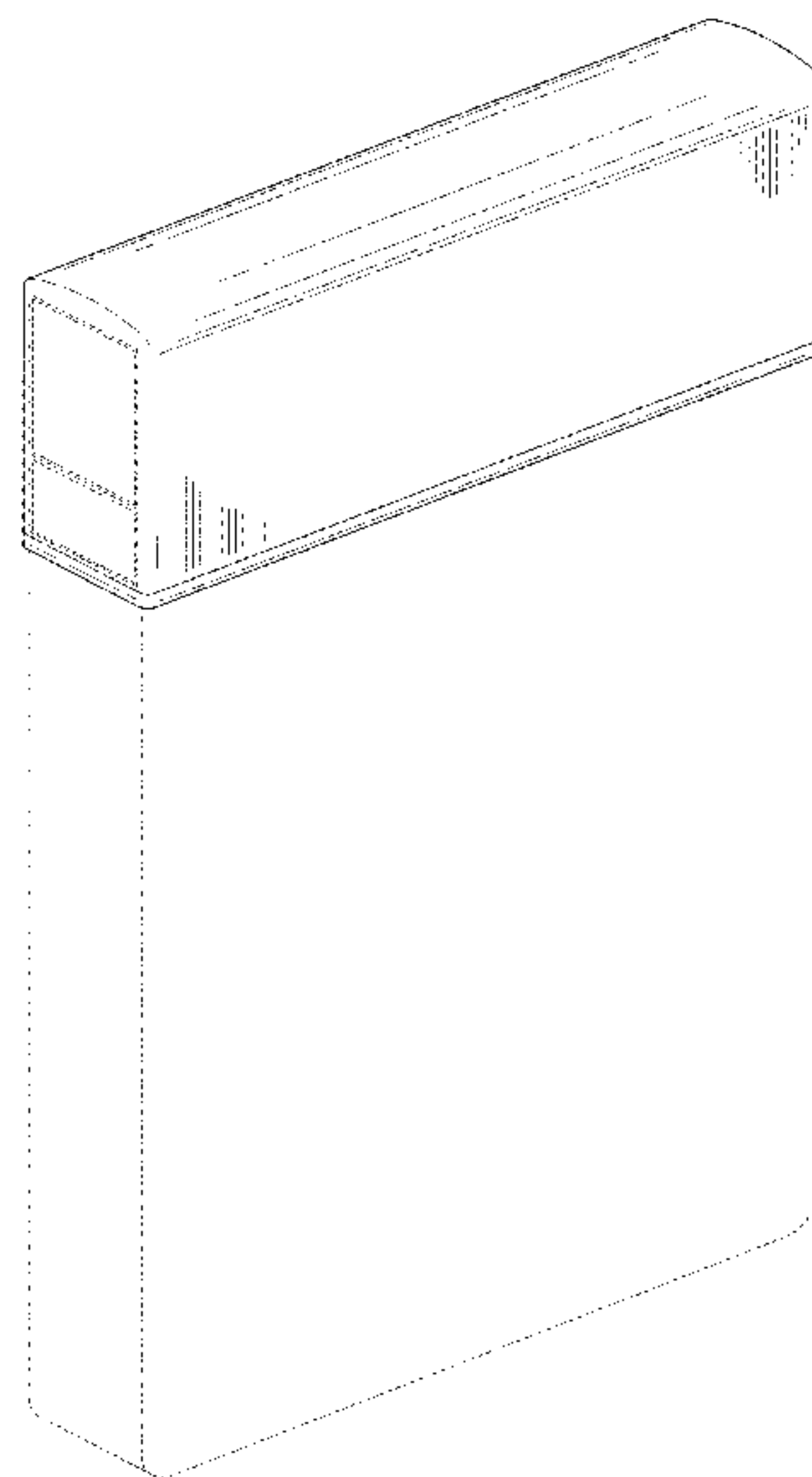
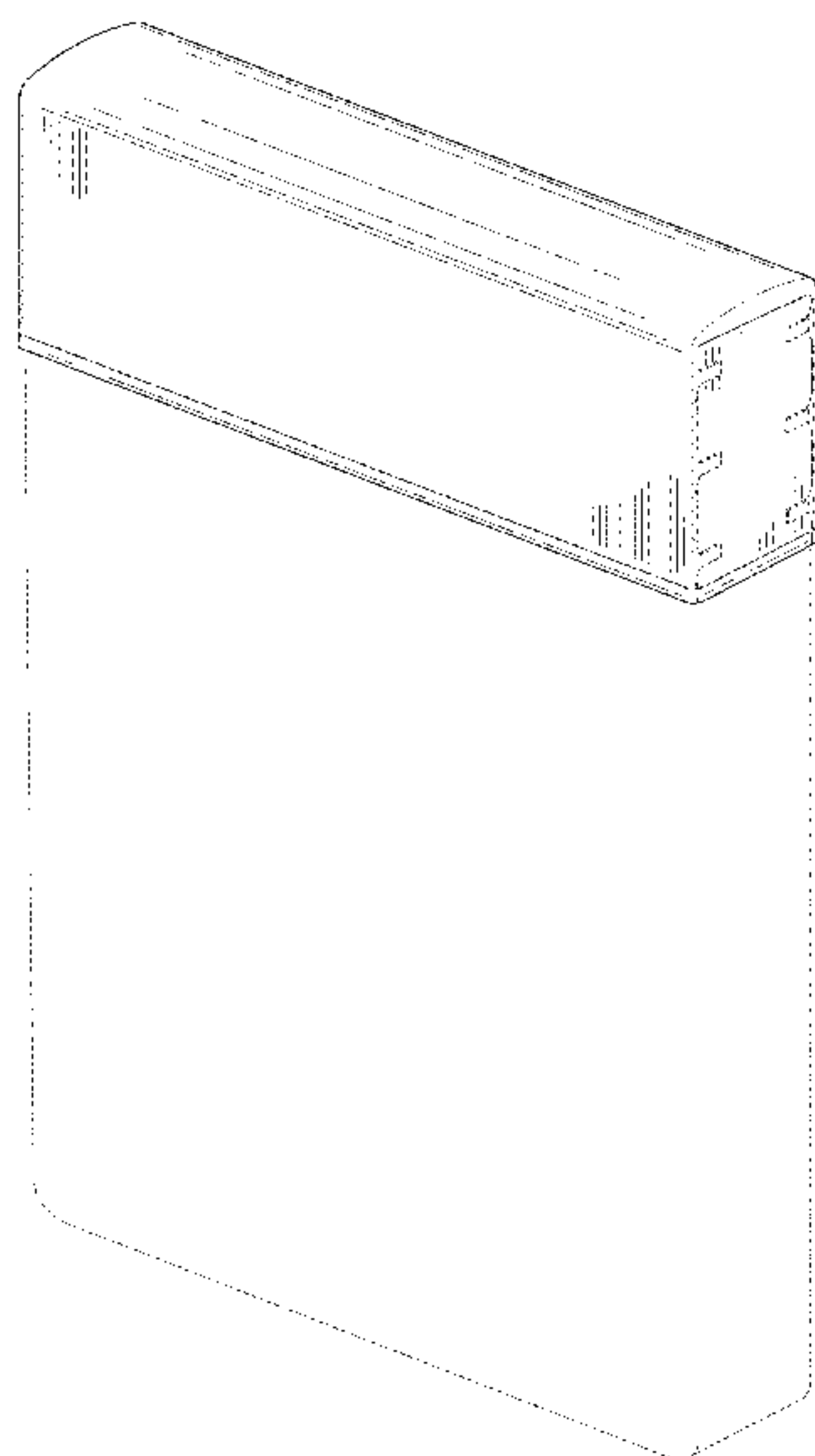
FIG. 14 is a top view of the mattress accessory of FIG. 9;

FIG. 15 is a bottom view of the mattress accessory of FIG. 9; and,

FIG. 16 is a perspective view of a mattress accessory of FIG. 9.

The broken lines shown in the figures are for illustrative purposes only and form no part of the claimed design. In addition, the surface shading, if any, illustrated in the drawings is provided merely to highlight the contour of the design; it is not intended to be illustrative of texture or gloss.

**1 Claim, 12 Drawing Sheets**



(58) **Field of Classification Search**

CPC ..... A47G 9/02; A47G 9/0207; A47G 9/0223;  
A47G 9/0238; A47G 9/0246; A47G 9/04  
See application file for complete search history.

(56) **References Cited**

U.S. PATENT DOCUMENTS

4,884,305 A \* 12/1989 Blackmon ..... A47C 21/022  
24/72.5  
4,903,360 A \* 2/1990 Friedman ..... A47G 9/02  
5/485  
5,836,023 A \* 11/1998 Stone Munson .... A47G 9/0238  
5/482  
5,946,751 A \* 9/1999 DeMay ..... A47G 9/0238  
24/72.5  
D699,495 S \* 2/2014 McCarty ..... D6/601  
D792,124 S \* 7/2017 Blatt ..... D6/596  
2010/0306920 A1 \* 12/2010 Balasundharam, Sr. ....  
A47G 9/0238  
5/496  
2017/0208957 A1 \* 7/2017 Keever ..... A47C 21/00

\* cited by examiner

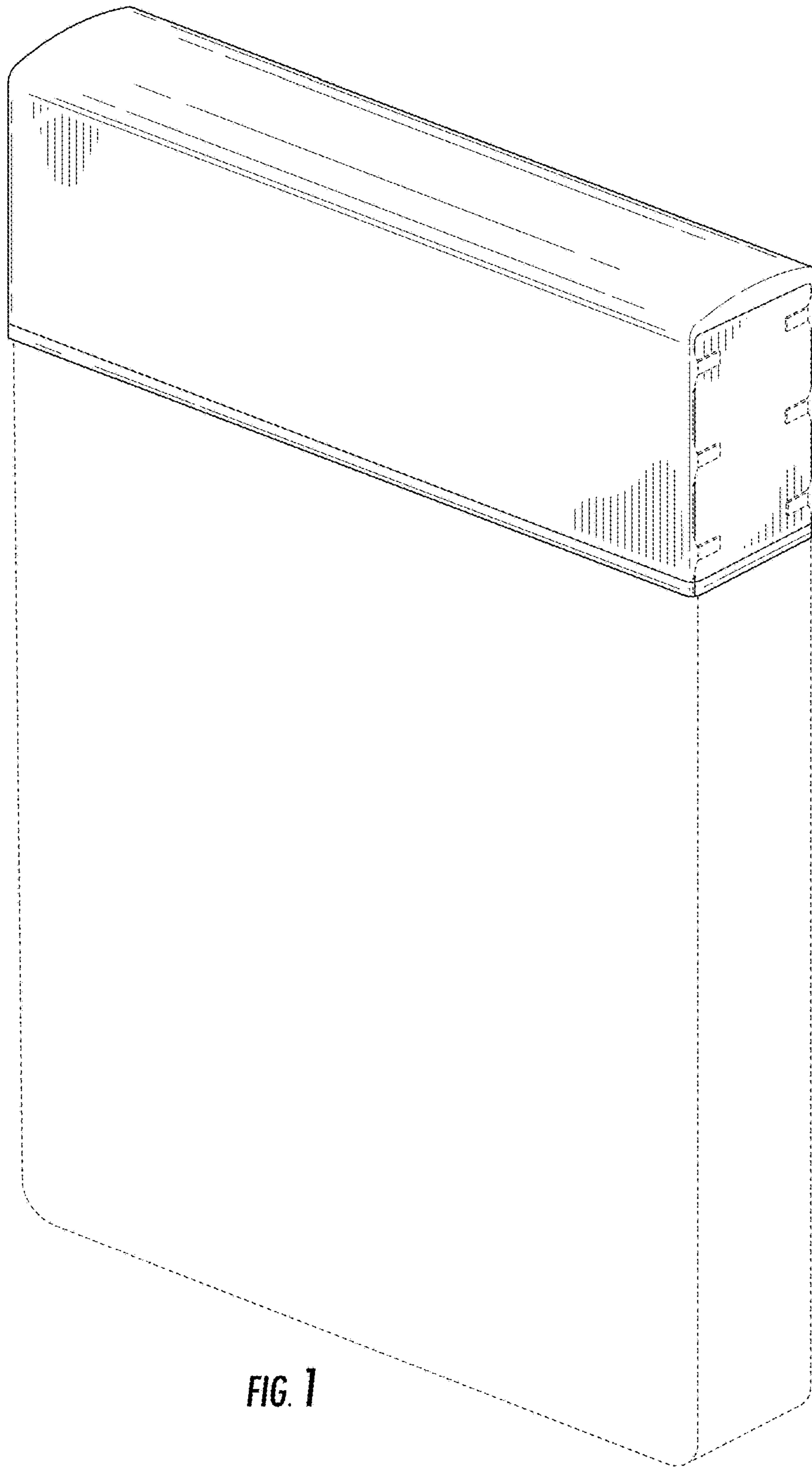
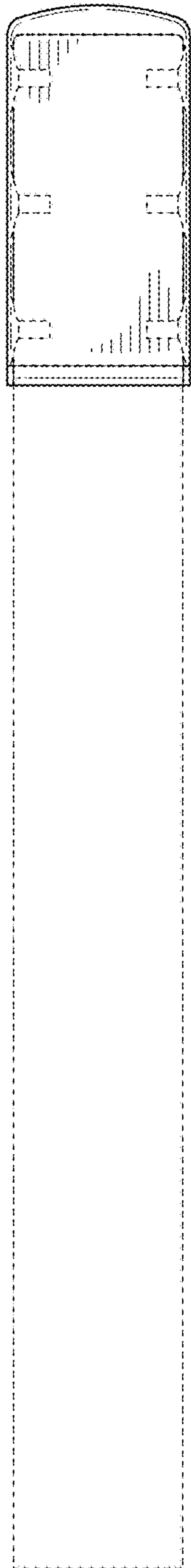
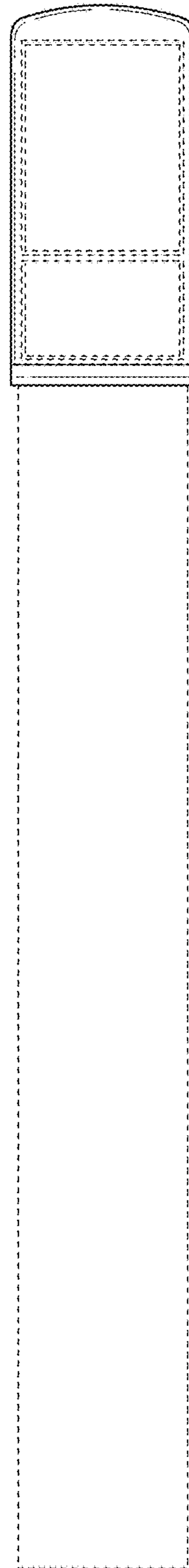


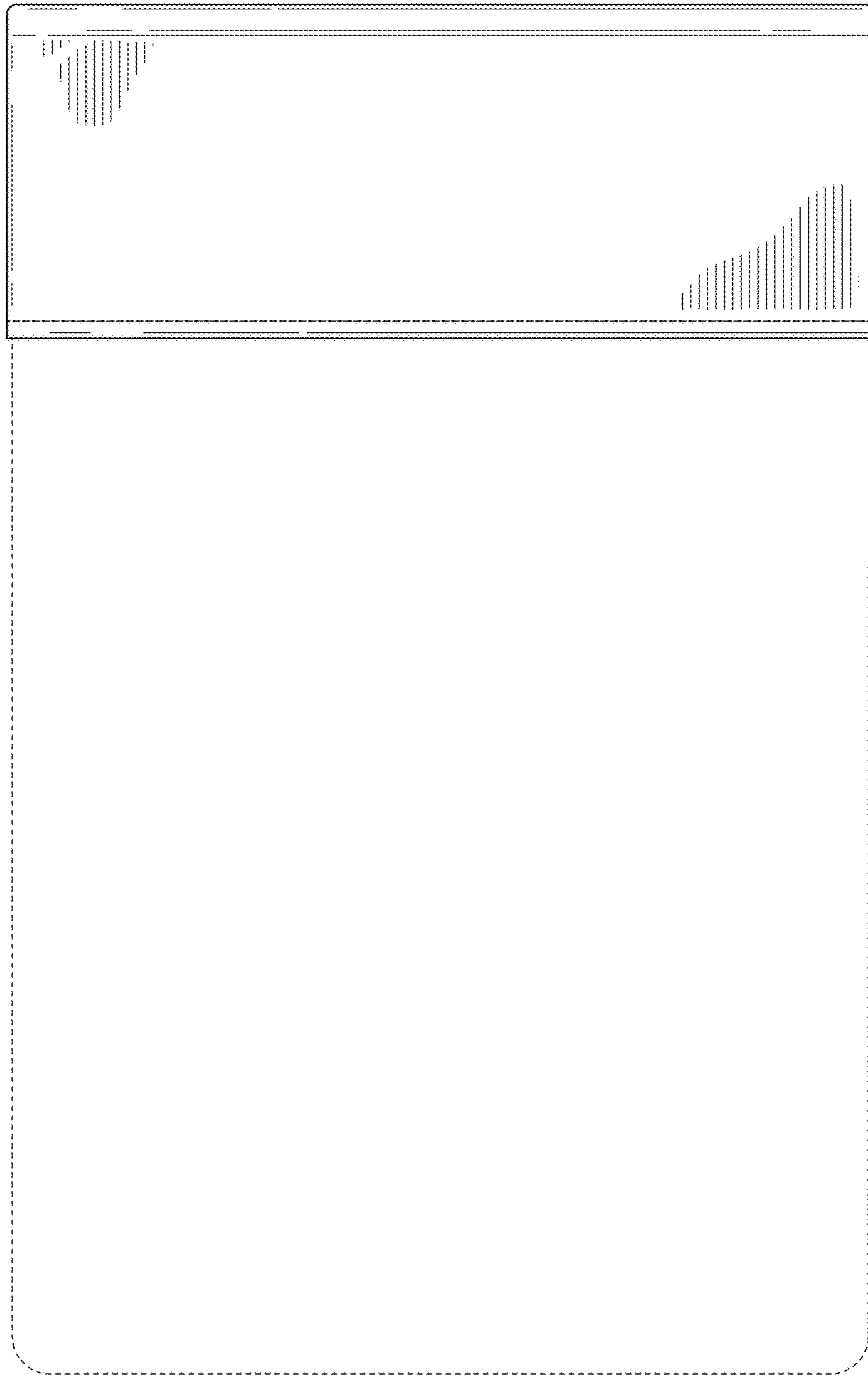
FIG. 1



**FIG. 2**



**FIG. 3**



**FIG. 4**

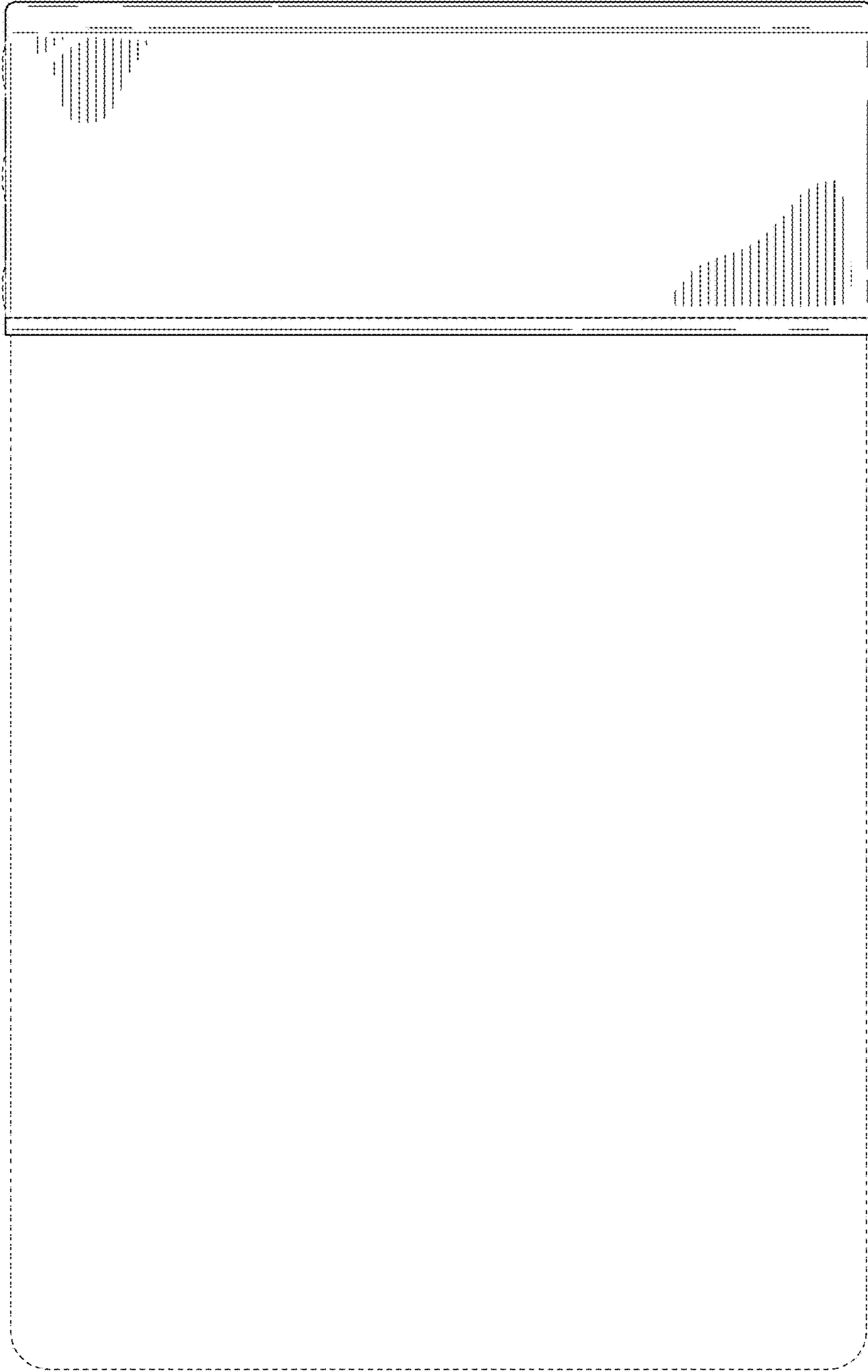
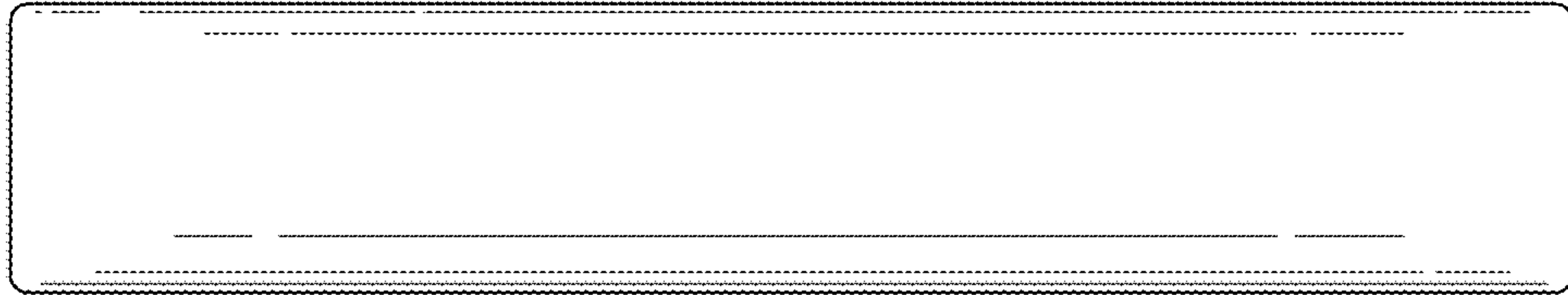
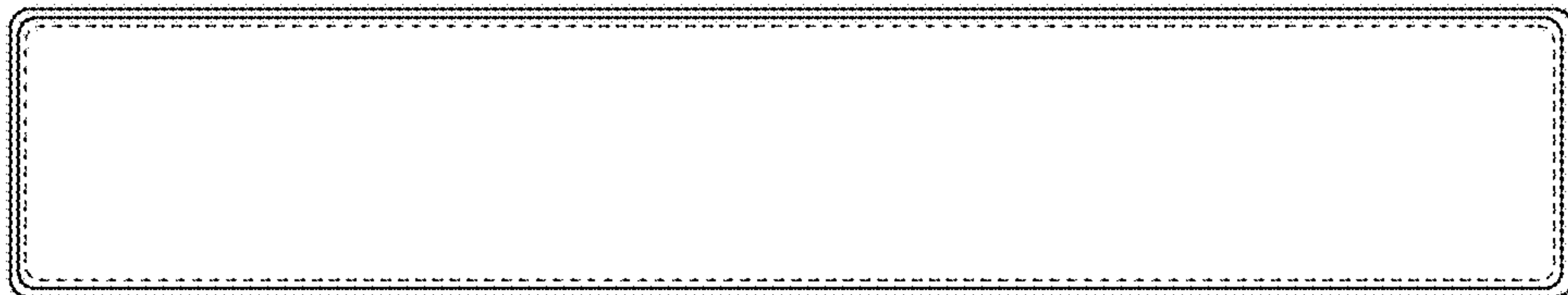


FIG. 5



**FIG. 6**



**FIG. 7**



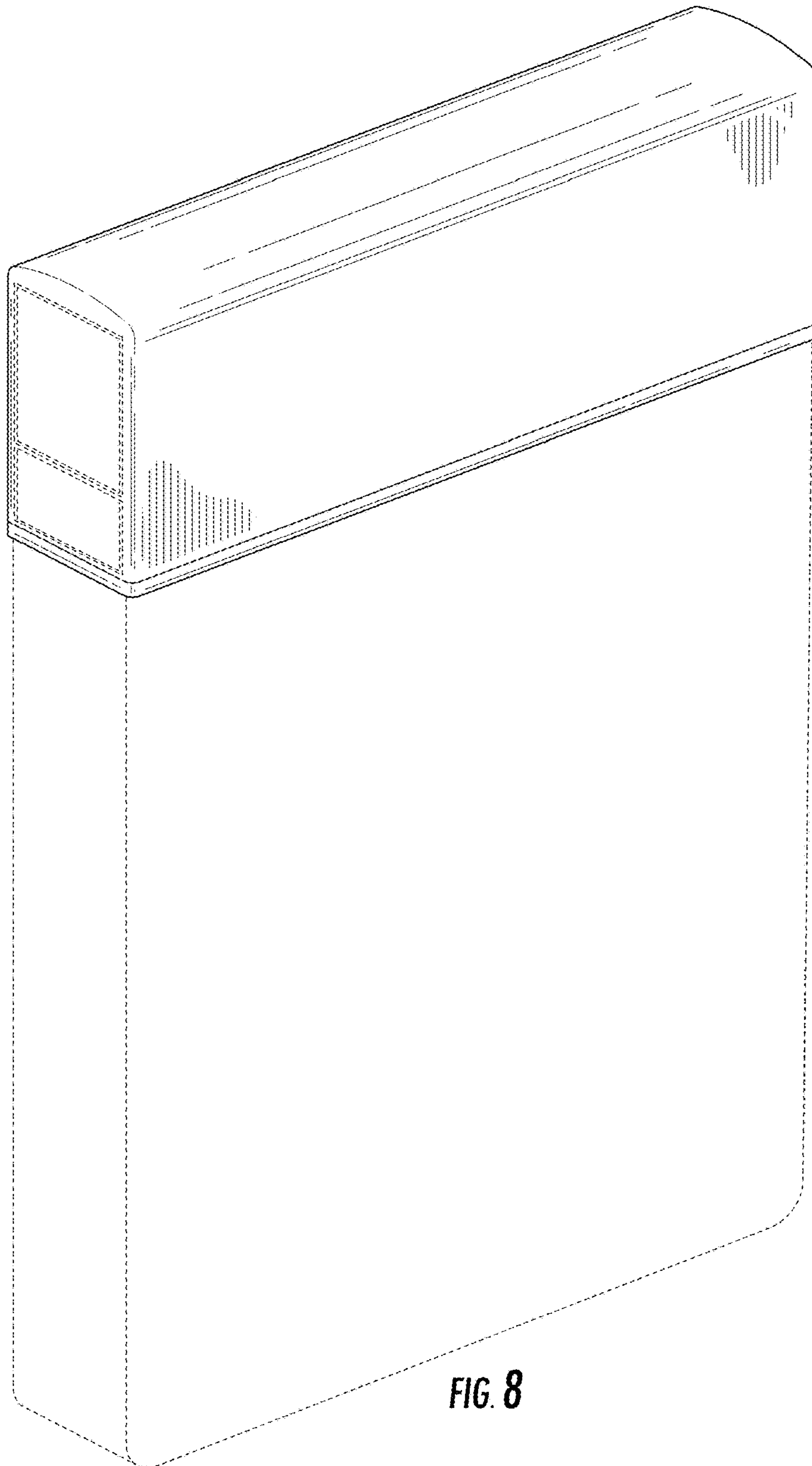


FIG. 8



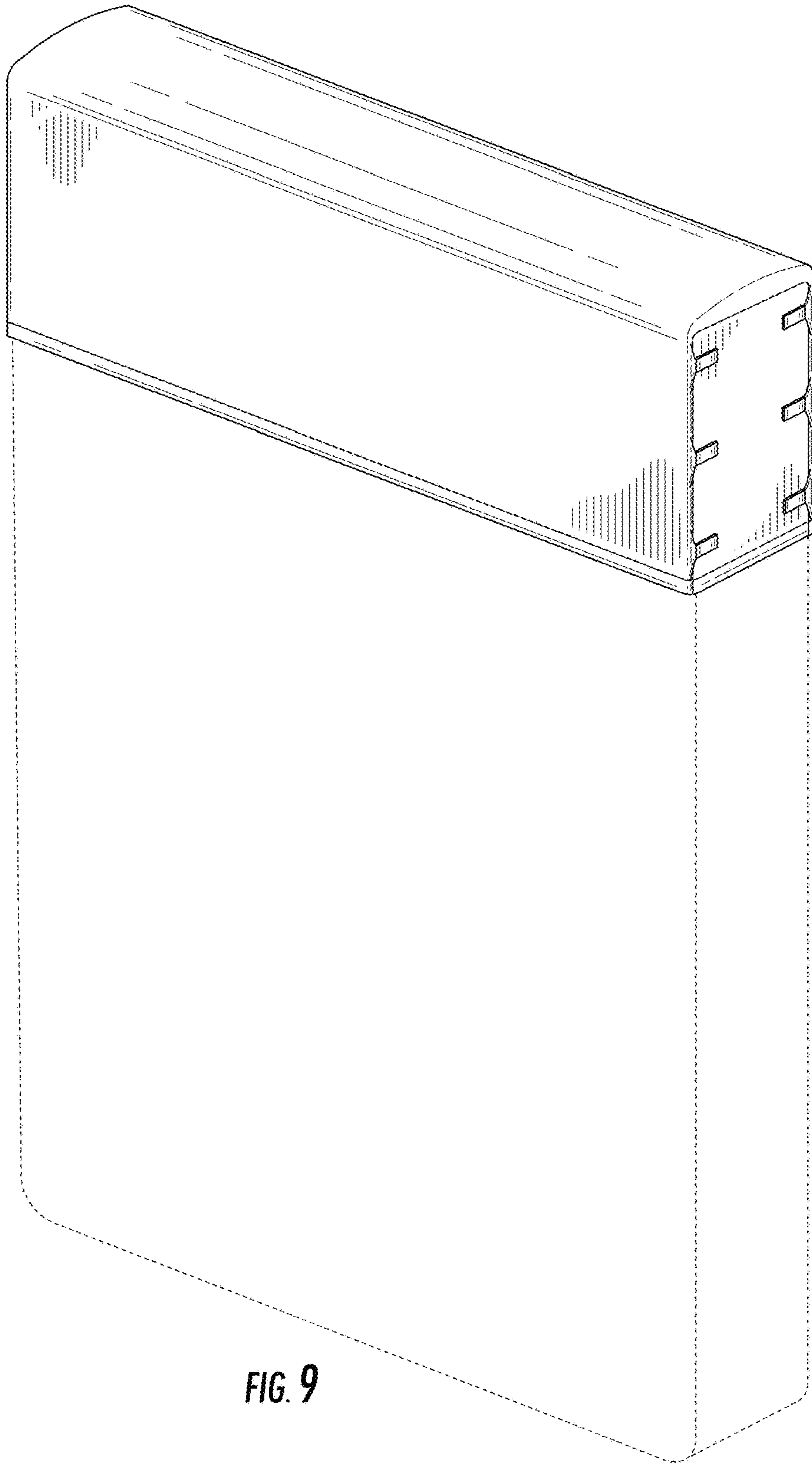


FIG. 9

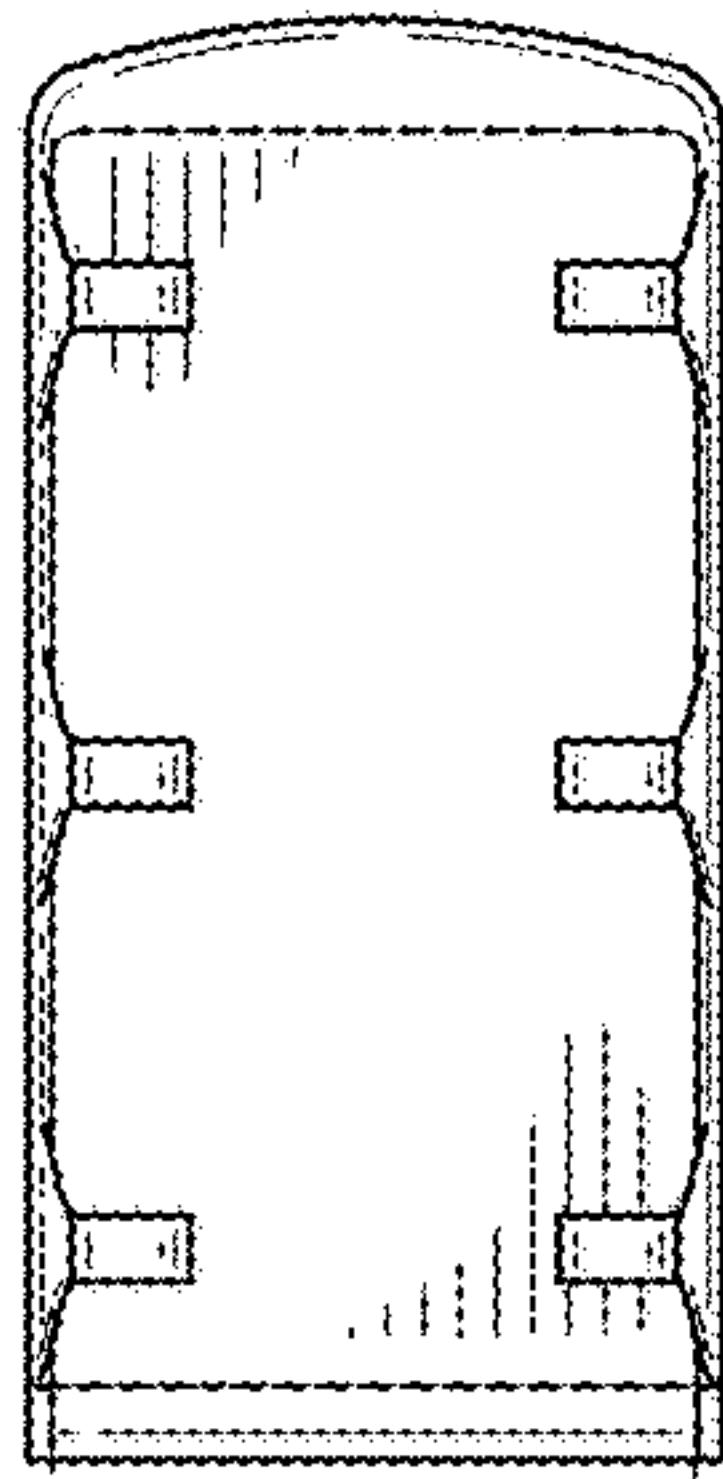


FIG. 10

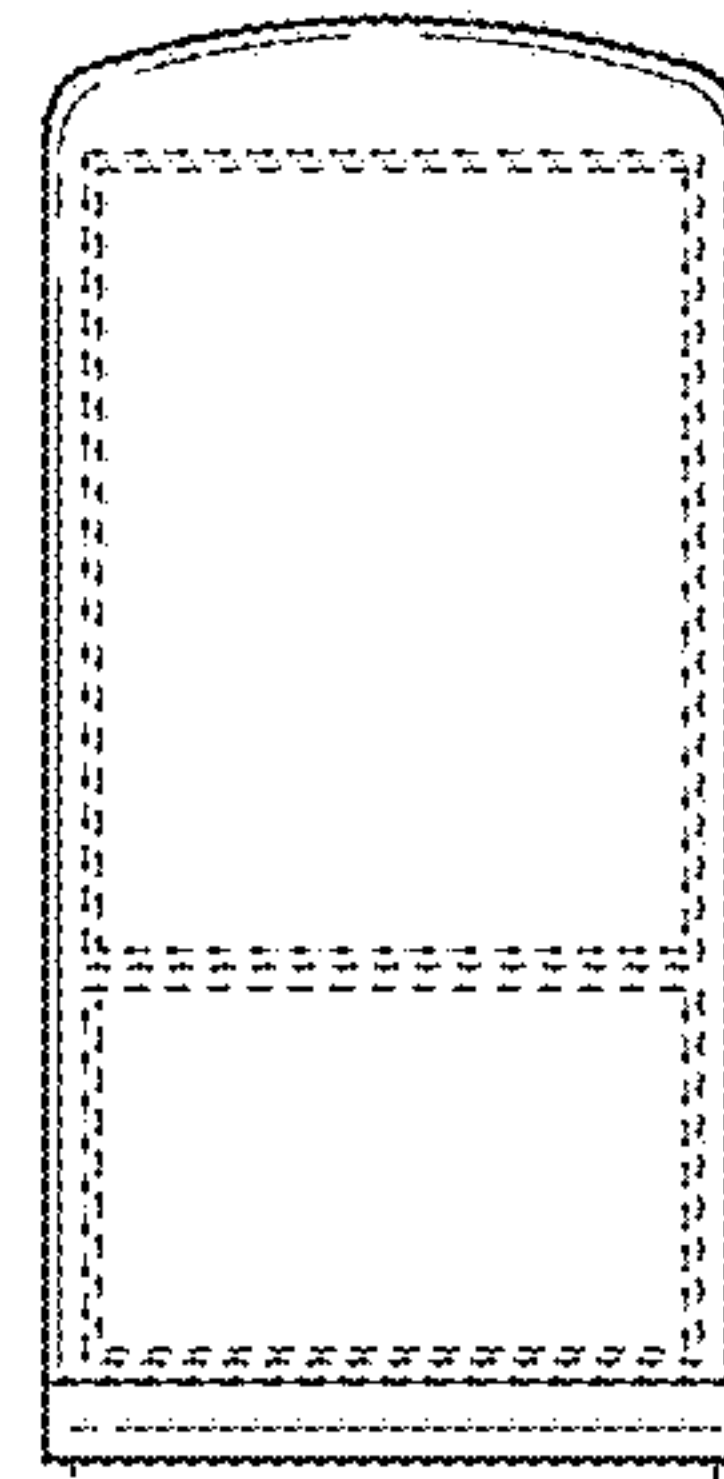


FIG. 11

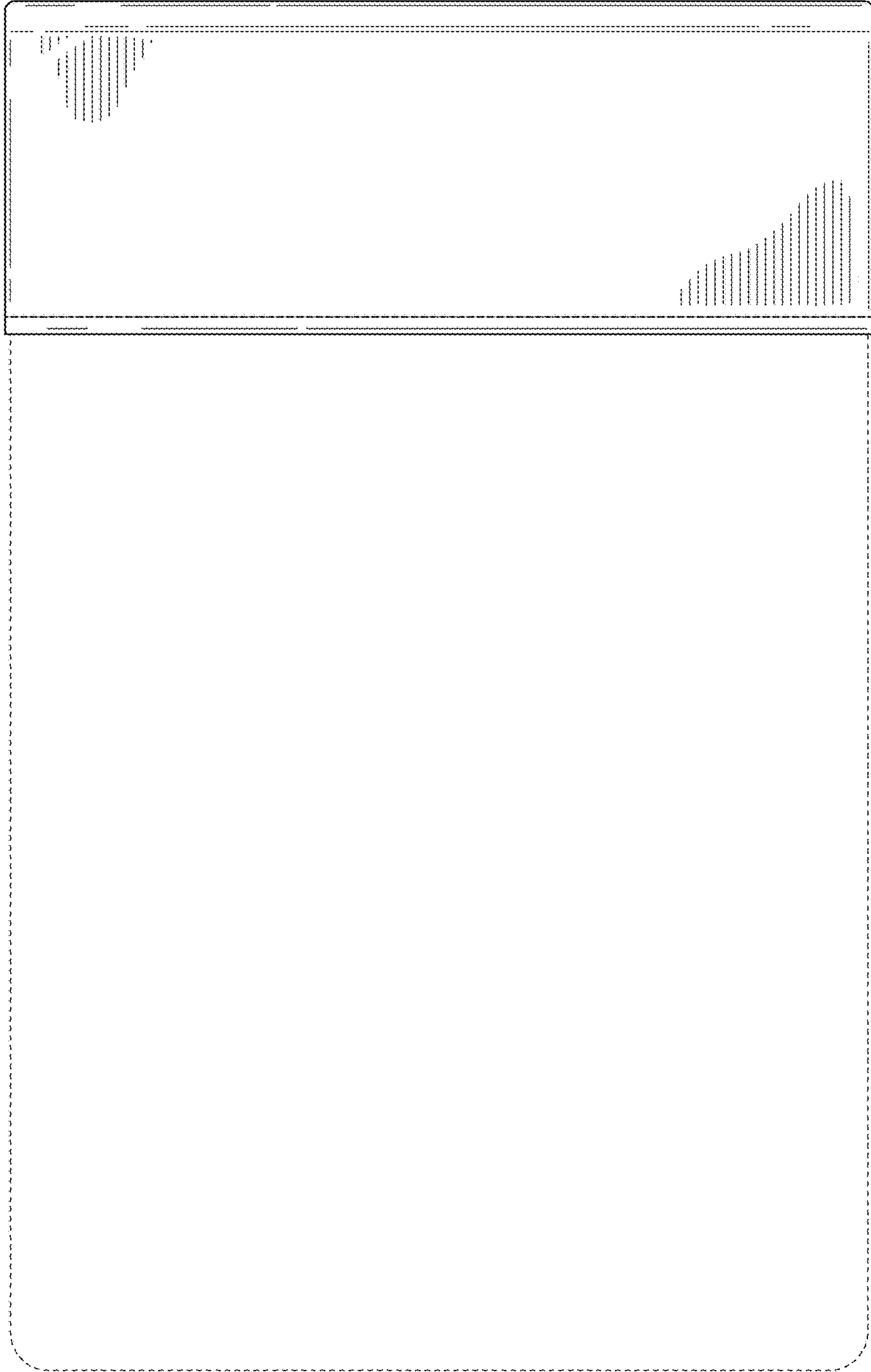


FIG. 12

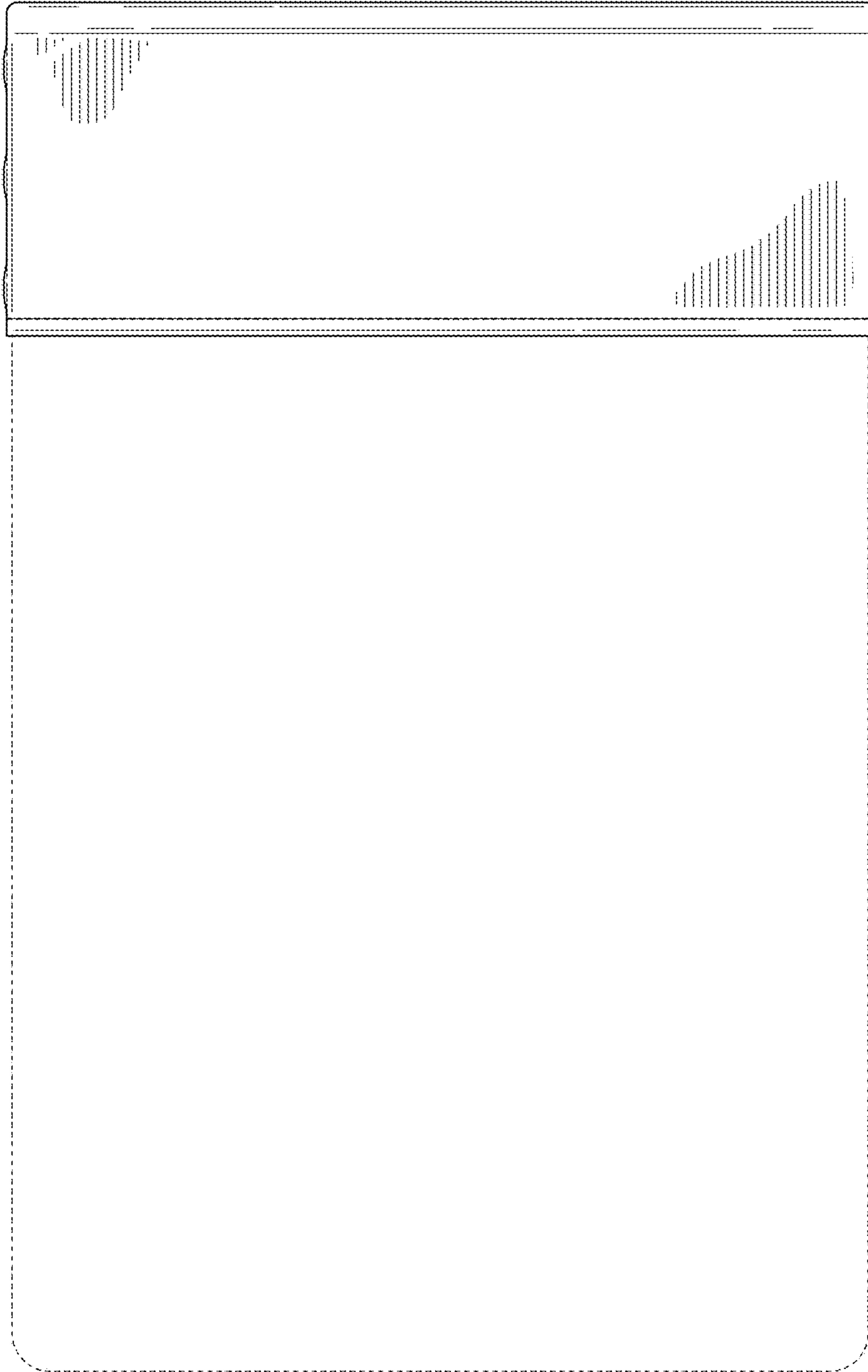
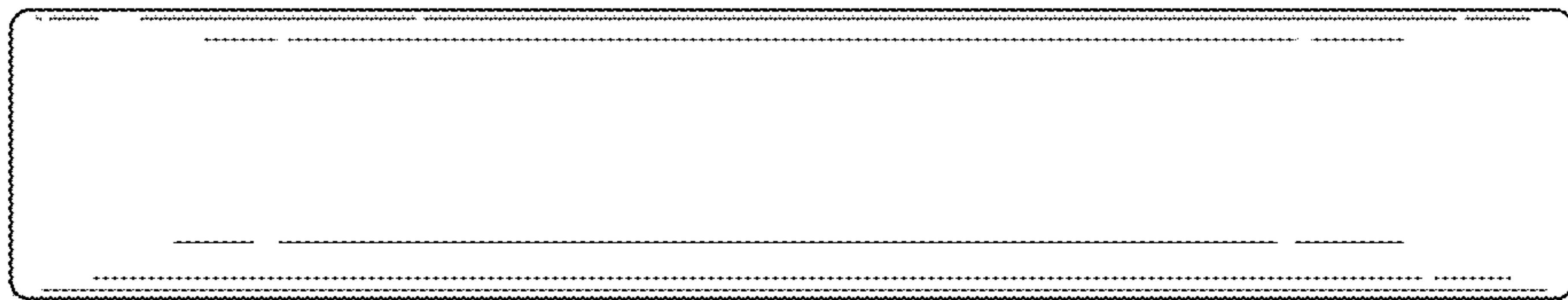


FIG. 13



*FIG. 14*



*FIG. 15*

